

[54] RECHARGEABLE FLASHLIGHT FOR AUTOMOTIVE USE

[76] Inventors: Martin L. Lee; Simon S. Hunt, both of 85 Park Drive, Parkville, 3052, Victoria, Australia

[**] Term: 14 Years

[21] Appl. No.: 945,598

[22] Filed: Dec. 23, 1986

[30] Foreign Application Priority Data

Jun. 27, 1986 [AU]	Australia	5726/86
[52] U.S. Cl.		D26/46
[58] Field of Search		D26/37-50;
		D10/114; 362/157, 158, 183-208

[56] References Cited

U.S. PATENT DOCUMENTS

D. 247,324	2/1978	Bugler	D26/38
4,327,401	4/1982	Siiberg	362/183

Primary Examiner—Susan J. Lucas
Attorney, Agent, or Firm—Nixon & Vanderhye

[57] CLAIM

The ornamental design for a rechargeable flashlight for automotive use, as shown and described.

DESCRIPTION

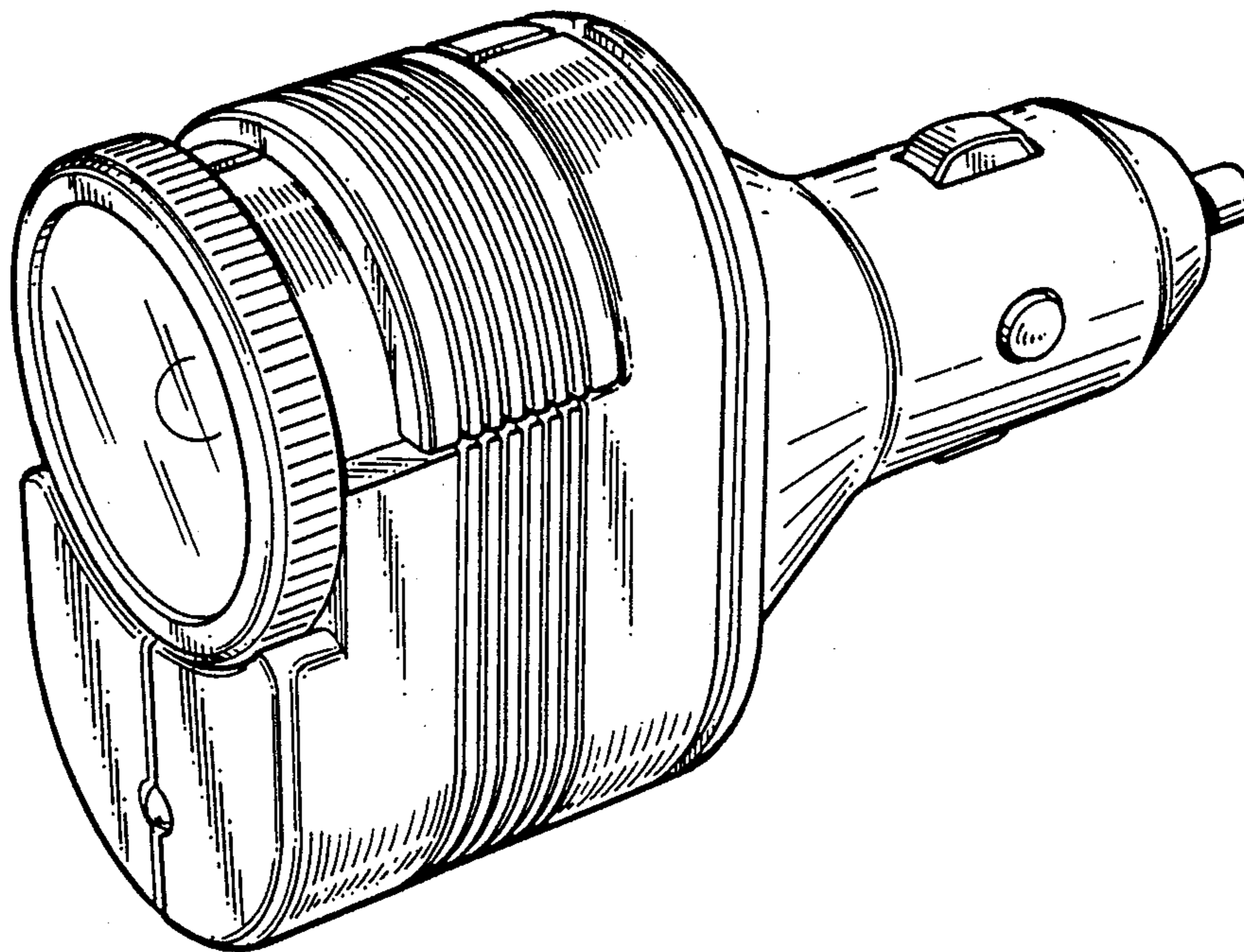
FIG. 1 is a top, front, and side perspective view of a rechargeable flashlight for automotive use showing our new design;

FIG. 2 is a bottom, rear, and side perspective view thereof;

FIG. 3 is a side elevational view thereof on a reduced scale, the opposite side being identical;

FIG. 4 is a top plan view thereof on a reduced scale;

FIG. 5 is a front elevational view thereof on a reduced scale.



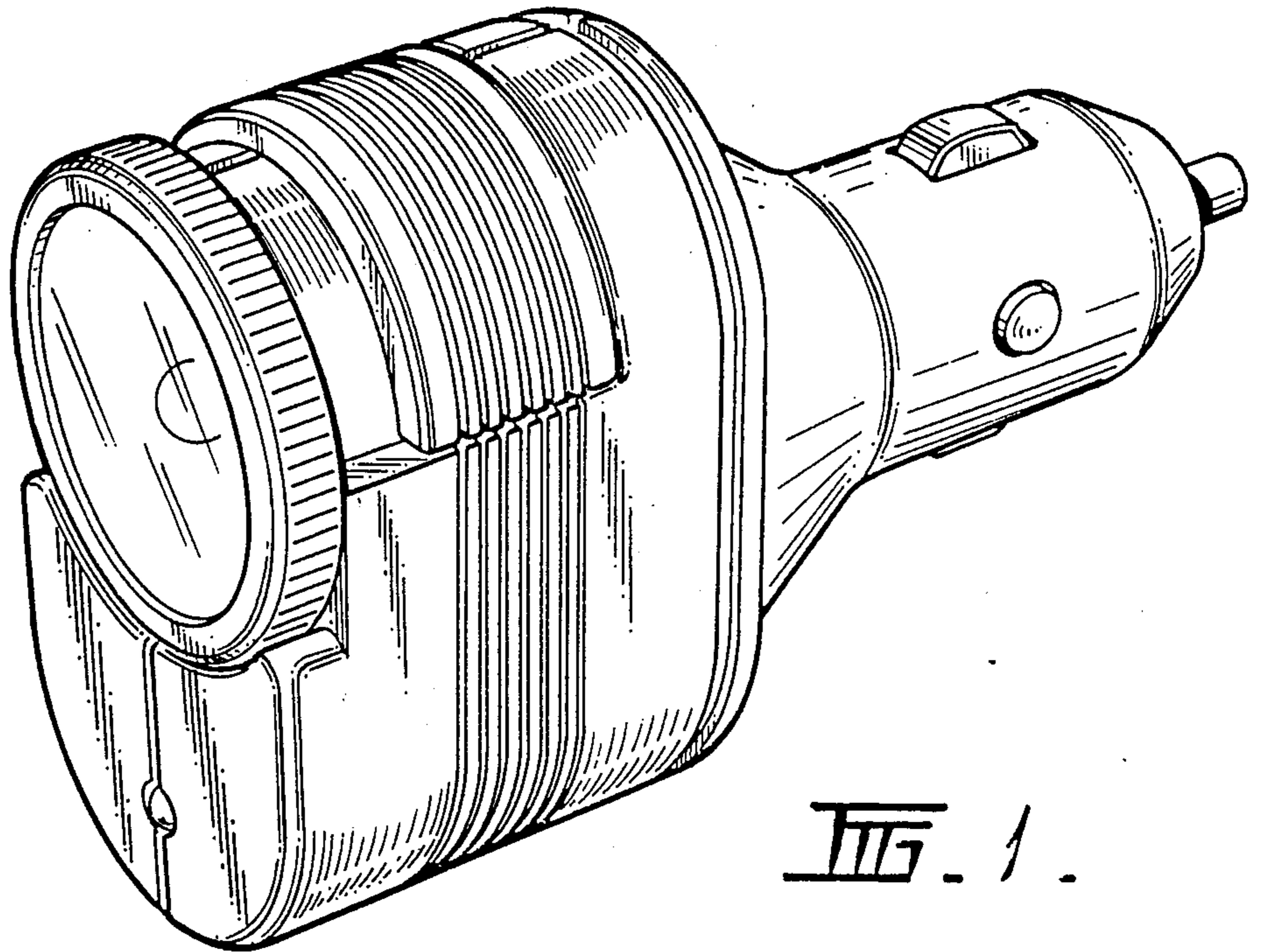


FIG. 1.

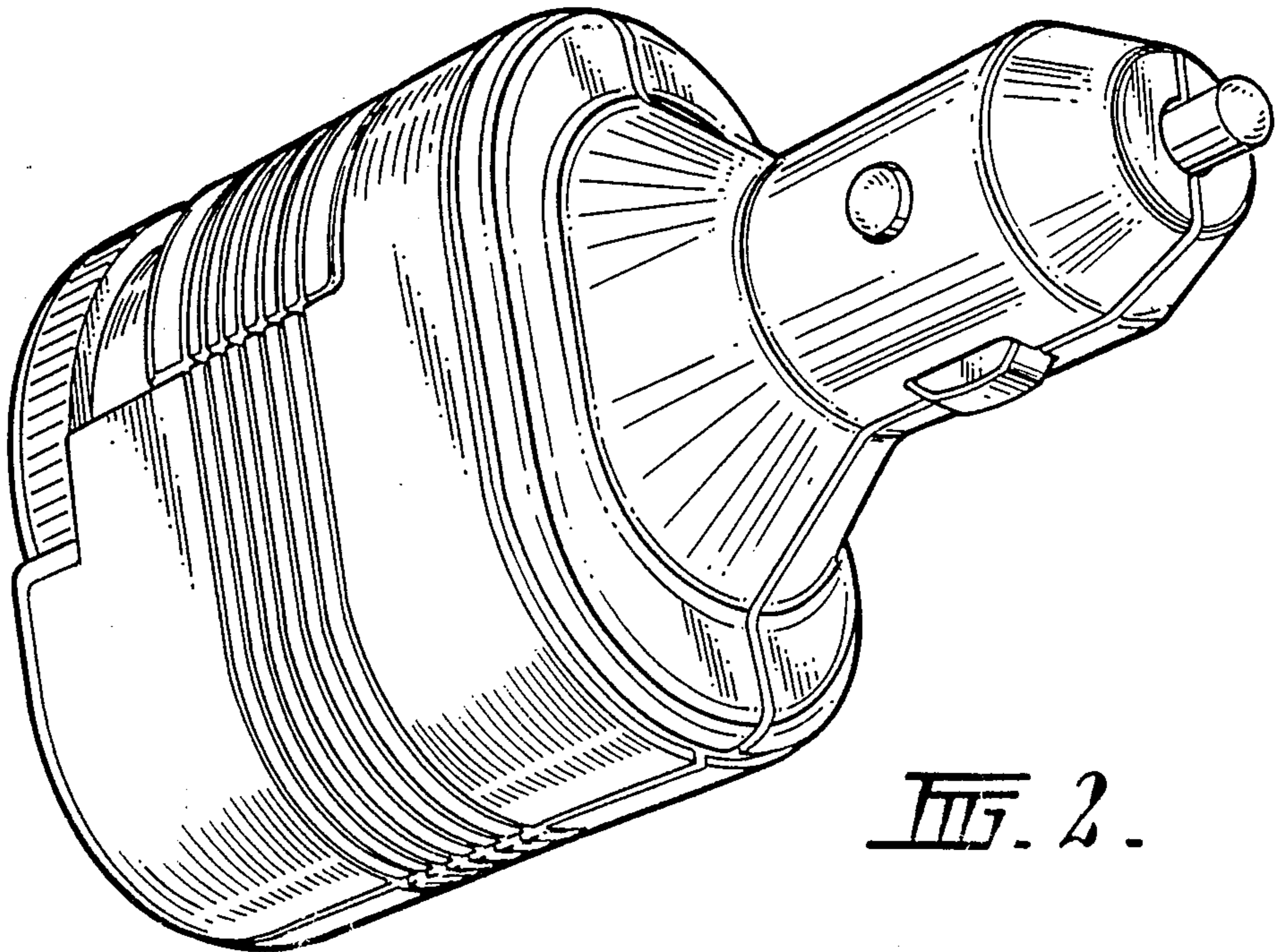


FIG. 2.

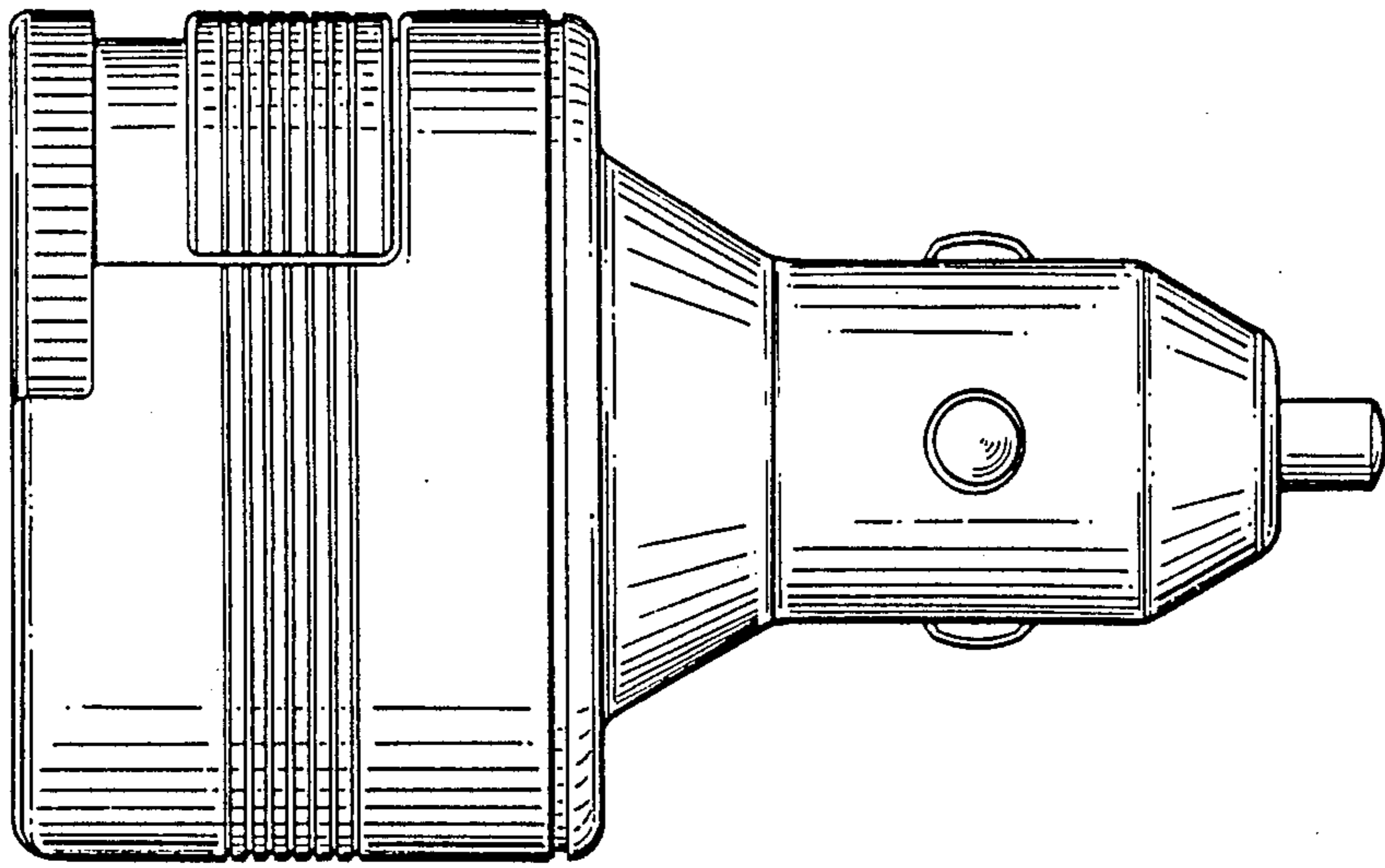


FIG. 3.

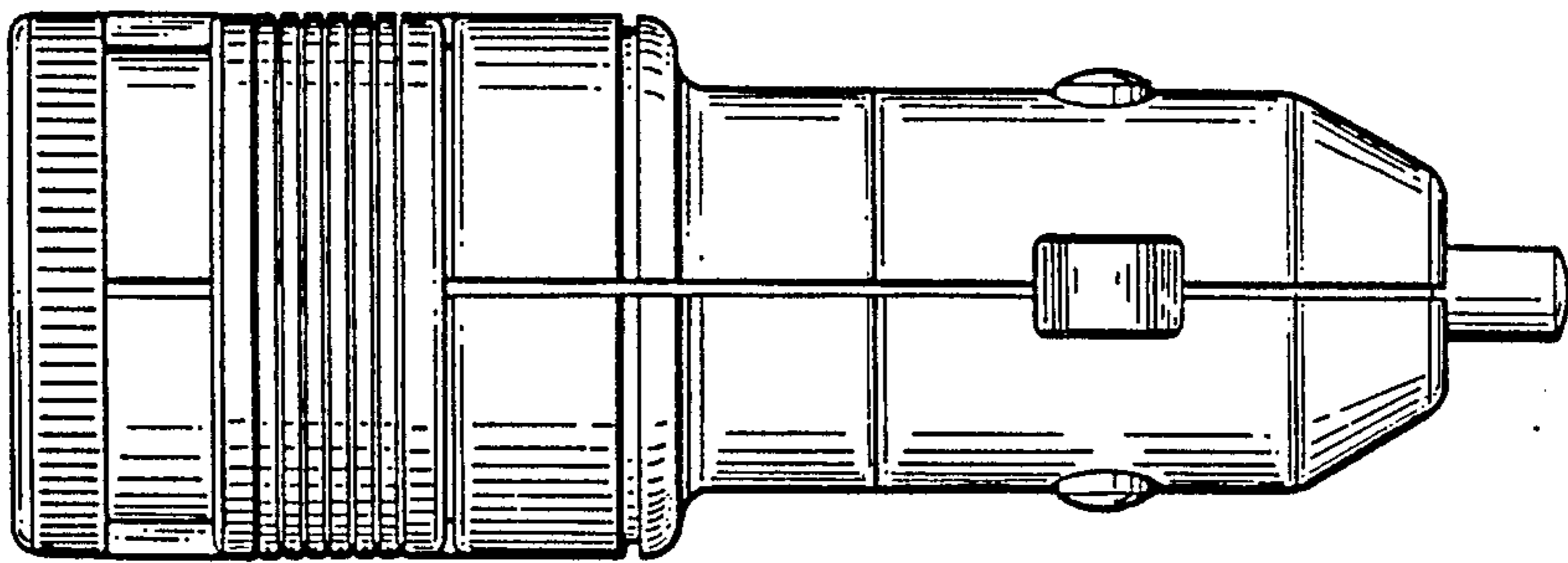


FIG. 4.

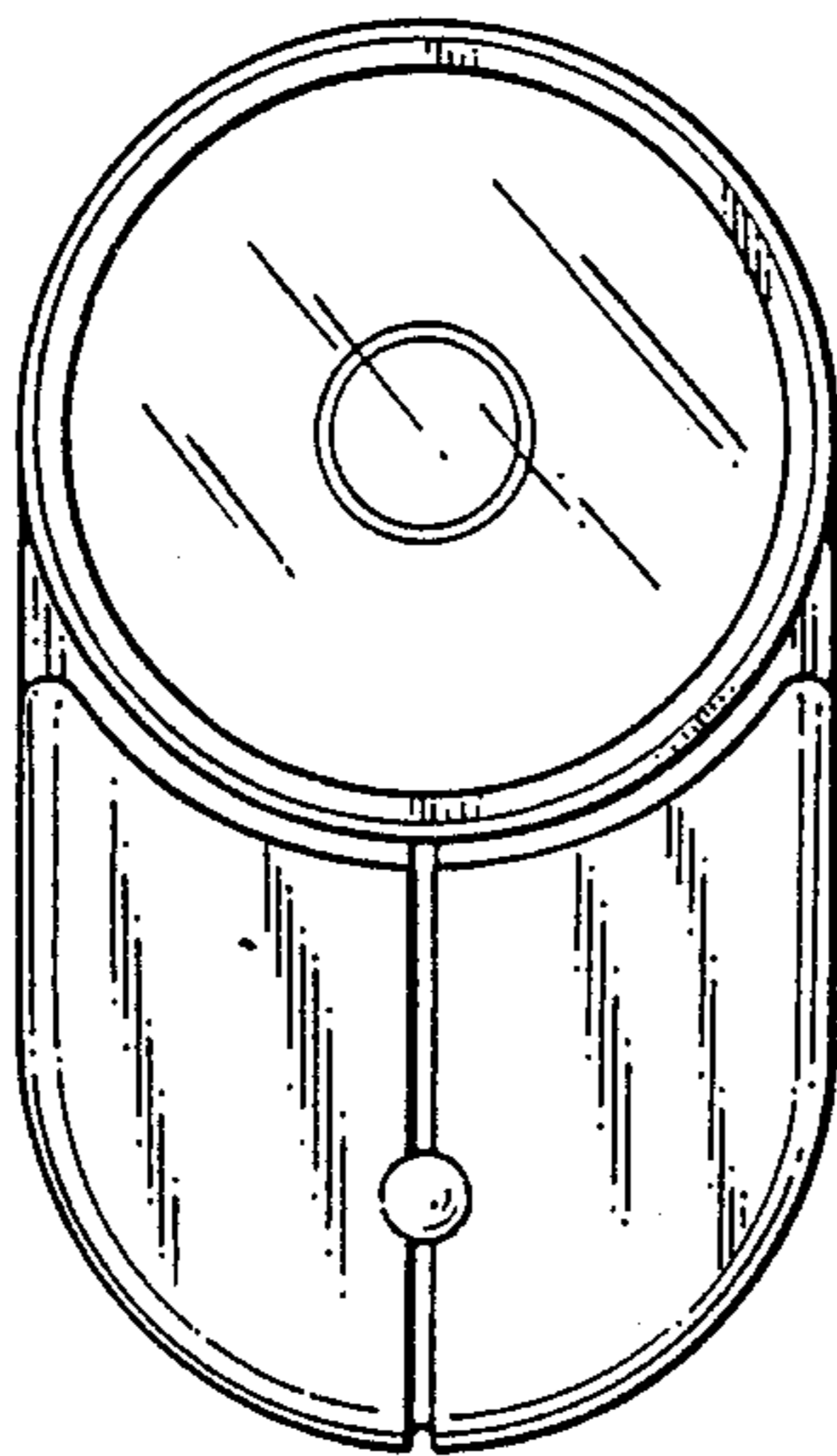


FIG. 5.