

[54] **USHAPED CANDLE HOLDER**

[76] **Inventor: Patrick J. O'Donnell, 3040 Connor St., Salt Lake City, Utah 84109**

[**] **Term: 14 Years**

[21] **Appl. No.: 10,261**

[22] **Filed: Feb. 2, 1987**

[52] **U.S. Cl. D26/9**

[58] **Field of Search D26/6-23; 431/288-297; 362/161, 162, 163**

[56] **References Cited**

U.S. PATENT DOCUMENTS

D. 159,757 8/1950 Sakier D26/15
D. 243,548 3/1977 Shippee D26/10
2,223,228 11/1940 Schisano et al. D26/6 X

Primary Examiner—Susan J. Lucas

[57] **CLAIM**

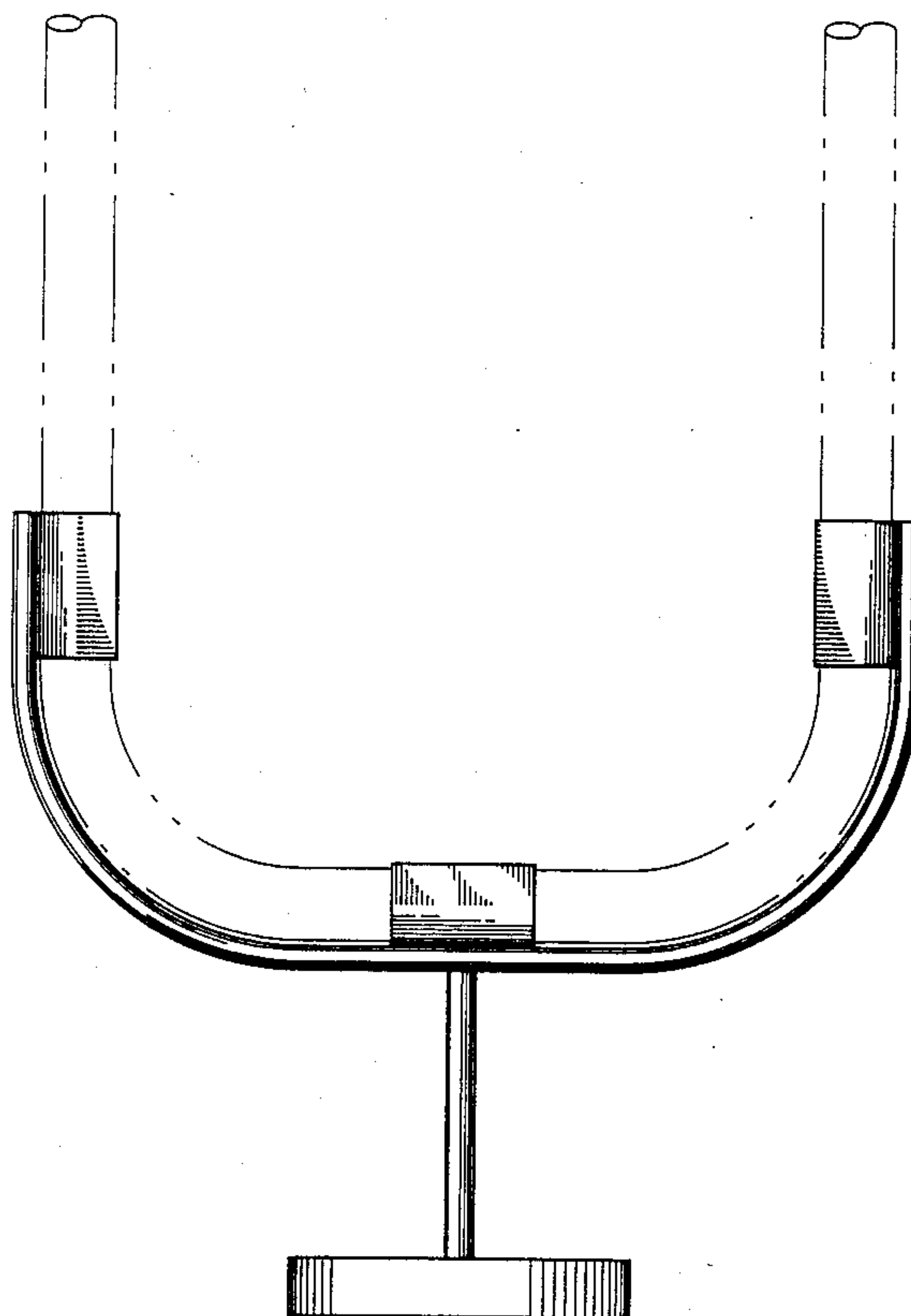
The ornamental design for a U-shaped candle holder, as shown and described.

DESCRIPTION

FIG. 1 is a front elevation view of a U-shaped candle holder showing my new design, the rear being a mirror image;

FIG. 2 is a top plan view thereof;

FIG. 3 is a side elevation view thereof, the opposite side being a mirror image.



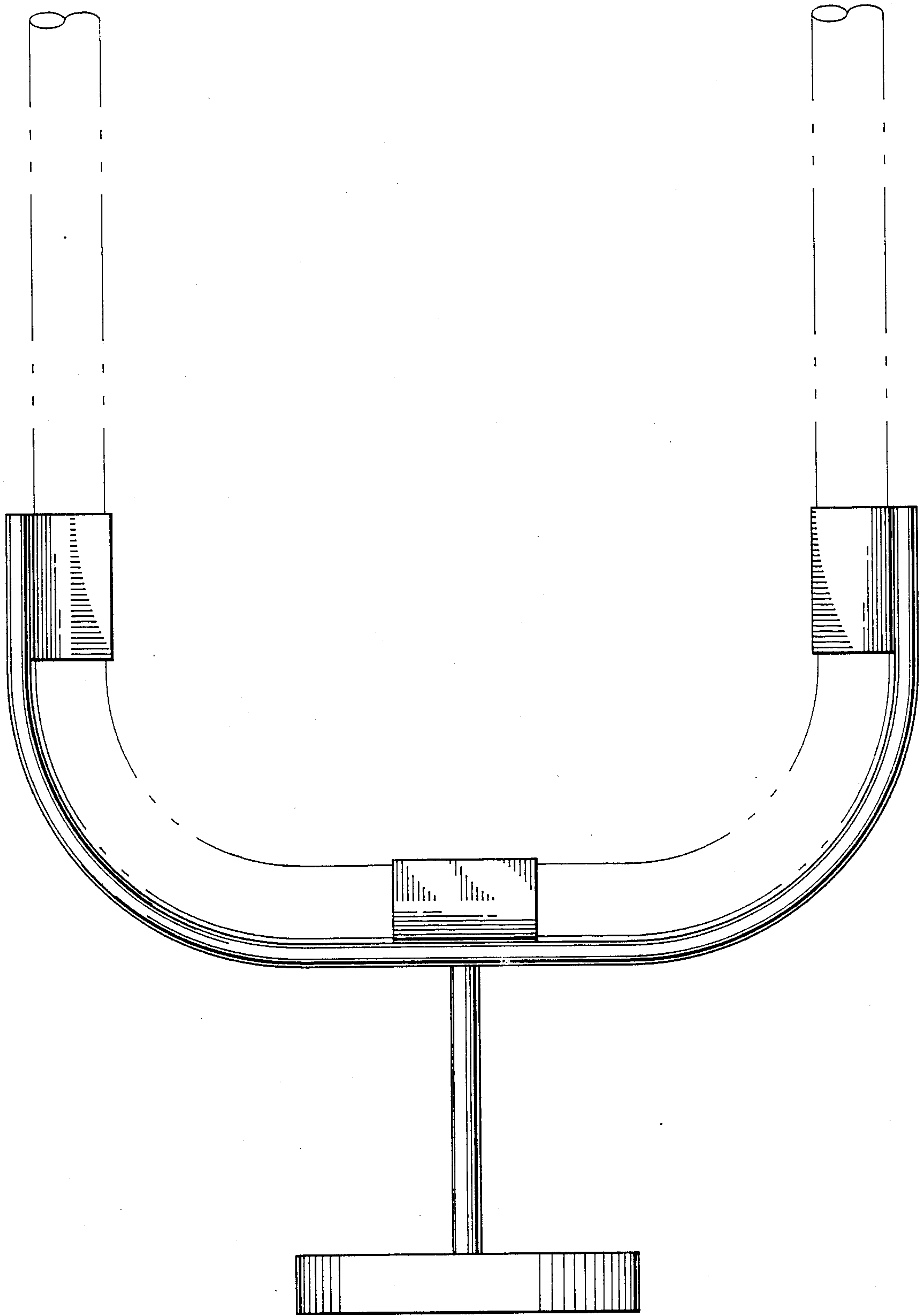


FIG. 1

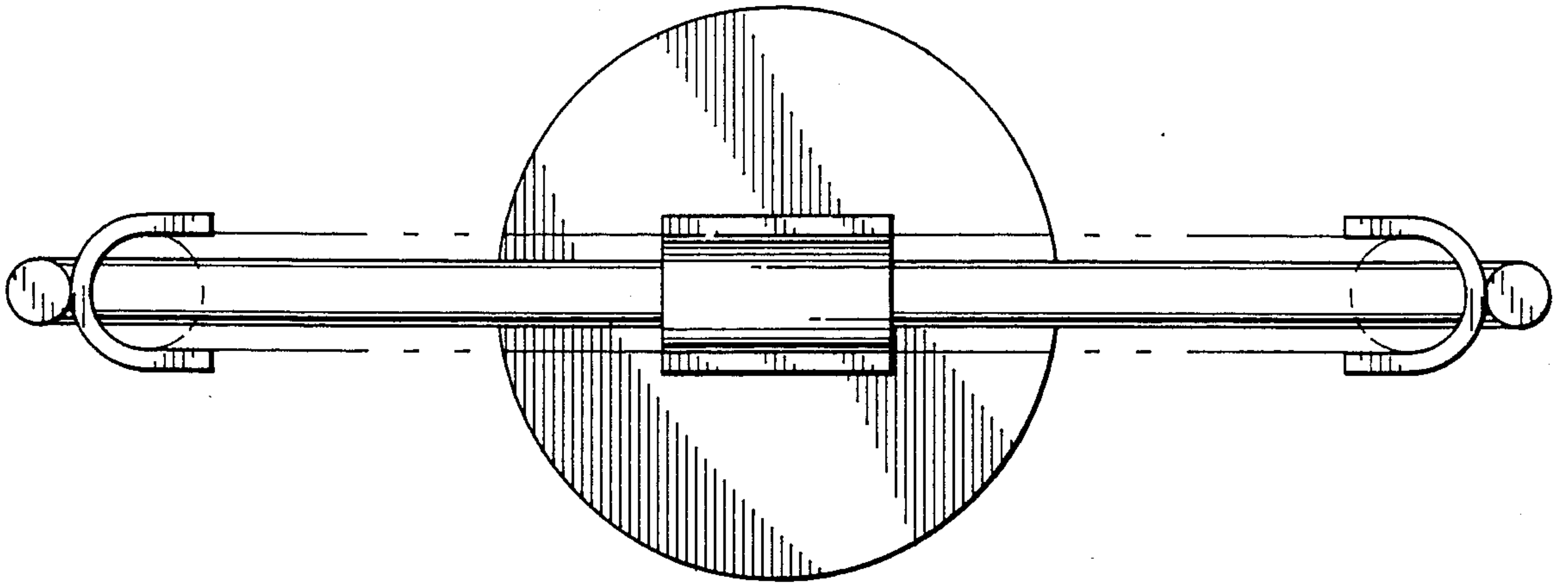


FIG. 2

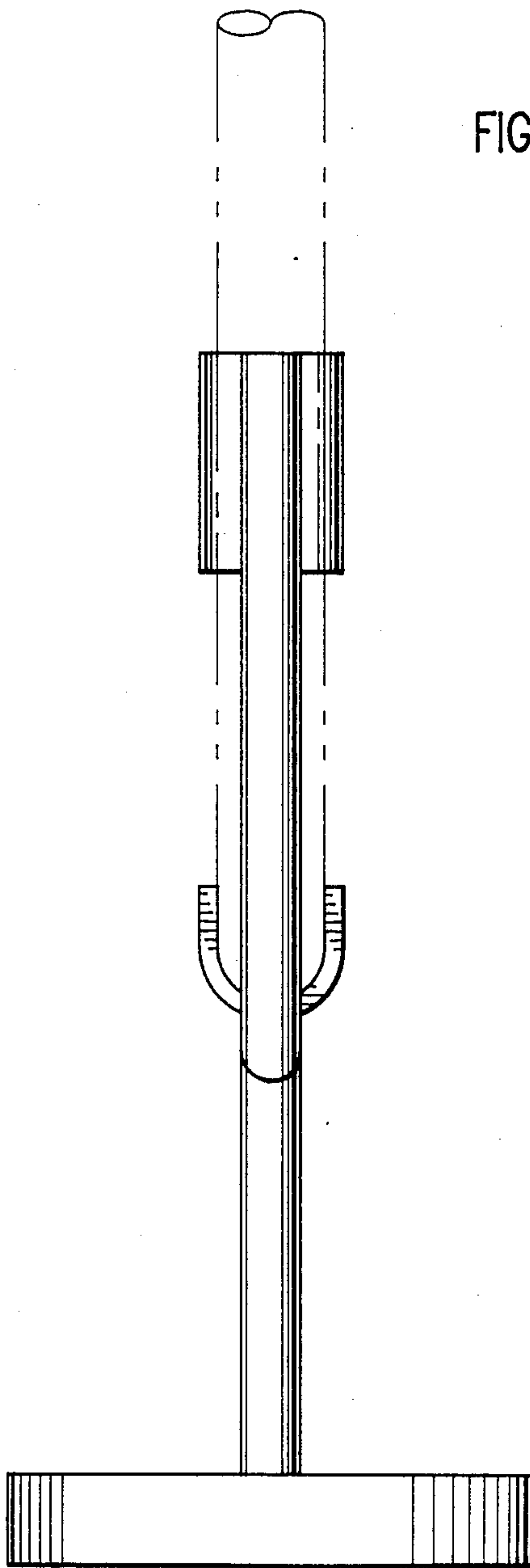


FIG. 3