

[54] EROSION CONTROL DEVICE

[76] Inventor: Walter J. Lenson, 140 Millbank Drive, London, Ontario, Canada, N6C 4V7

[**] Term: 14 Years

[21] Appl. No.: 937,524

[22] Filed: Nov. 28, 1986

[30] Foreign Application Priority Data

May 27, 1986 [CA] Canada 27-05-86-4

[52] U.S. Cl. D25/117; D25/113

[58] Field of Search 405/30, 31, 33, 21, 405/25, 29, 373; D25/113, 114, 115, 116, 117, 118

[56] References Cited

U.S. PATENT DOCUMENTS

- 905,596 12/1908 Smith .
- 954,283 4/1910 Hawkes .
- 1,230,608 6/1917 Sheldon .
- 1,277,829 9/1918 Baum .
- 2,104,356 1/1938 Sanford D25/113 X
- 2,191,924 2/1940 Humphrey .
- 2,474,786 6/1949 Humphrey .
- 2,653,450 9/1953 Fort .
- 2,755,631 7/1956 Hayden .
- 3,011,316 12/1961 Wilson .
- 3,118,282 1/1964 Jarlan .
- 3,176,468 4/1965 Nagai et al. .
- 3,252,287 5/1966 Suzuki .
- 3,280,569 10/1966 Wosenitz .
- 3,282,054 11/1966 Saginor .
- 3,357,192 12/1967 Hibarger .
- 3,386,250 6/1968 Katayama .
- 3,386,252 6/1968 Nelson .
- 3,479,824 11/1969 Schaaf et al. .
- 3,597,928 8/1971 Pilaar .

- 3,844,125 10/1974 Williams, Sr. .
- 3,875,750 4/1975 Campbell .
- 3,894,397 7/1975 Fair .
- 3,913,333 10/1975 Hubbard, Jr. .
- 4,129,006 12/1978 Payne .
- 4,367,978 1/1983 Schaaf et al. 405/30
- 4,407,608 10/1983 Hubbard 405/31
- 4,479,740 10/1984 Schaaf et al. 405/30
- 4,498,805 2/1985 Weir 405/31
- 4,502,816 3/1985 Creter, Jr. et al. 405/30

FOREIGN PATENT DOCUMENTS

- 953520 8/1974 Canada .
- 1111264 10/1981 Canada .
- 730189 5/1932 France .
- 769861 3/1957 United Kingdom .

OTHER PUBLICATIONS

Information leaflet on Great Lakes Environmental Marine Ltd. of Chicago, Ill.
Low Cost Shore Protection—Final Report on The Erosion Control Demonstration Program; U.S. Army Corps of Engineers, 1981.

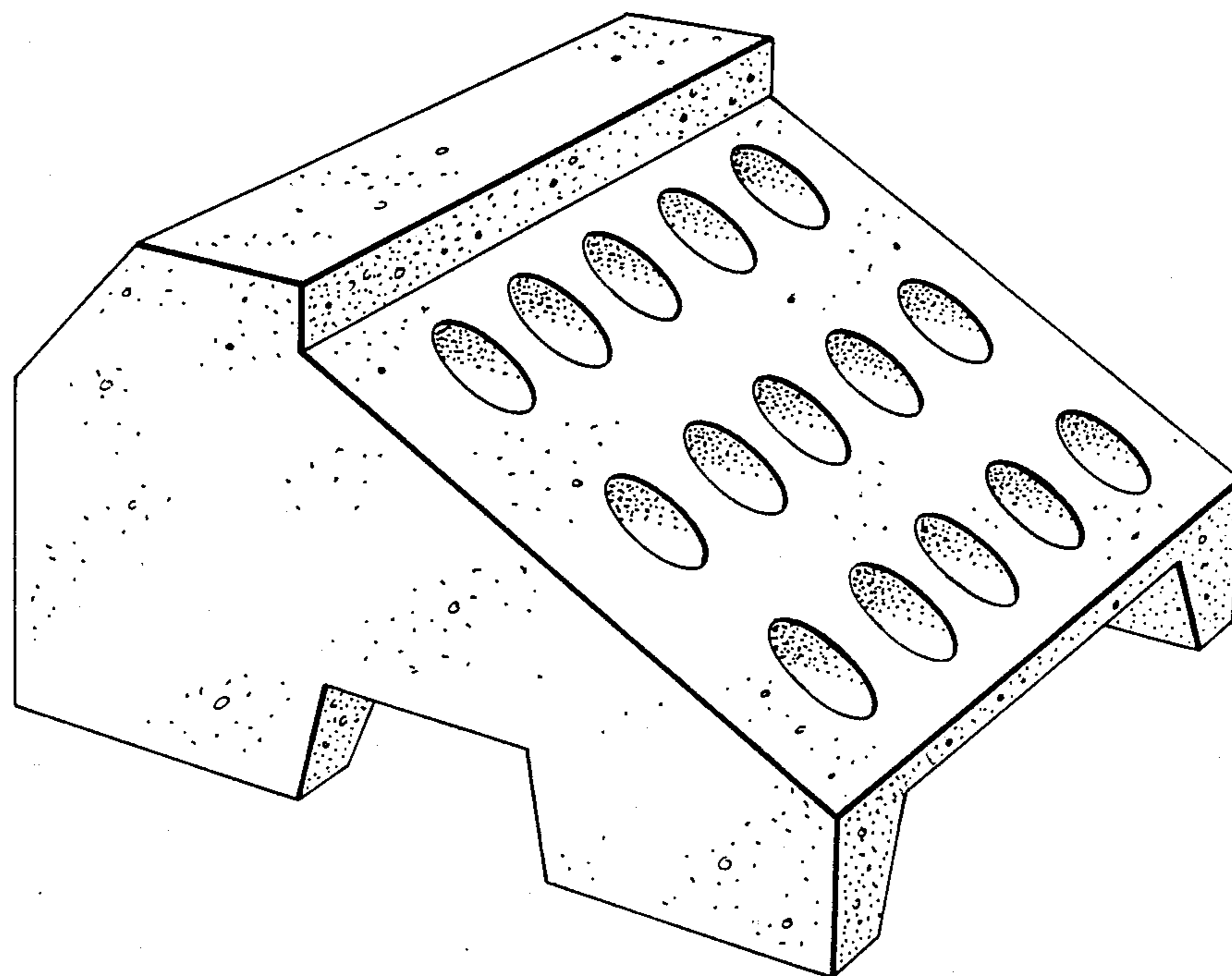
Primary Examiner—A. Hugo Word
Attorney, Agent, or Firm—Banner, Birch, McKie & Beckett

[57] CLAIM

The ornamental design for an erosion control device, as shown.

DESCRIPTION

FIG. 1 is a downward front perspective view of a erosion control device embodying my design.
FIG. 2 is an upward rear perspective view of the erosion control device illustrated in FIG. 1.
FIG. 3 is a top plan view of the erosion control device illustrated in FIG. 1.
FIG. 4 is a front elevational view of the erosion control device illustrated in FIG. 1.



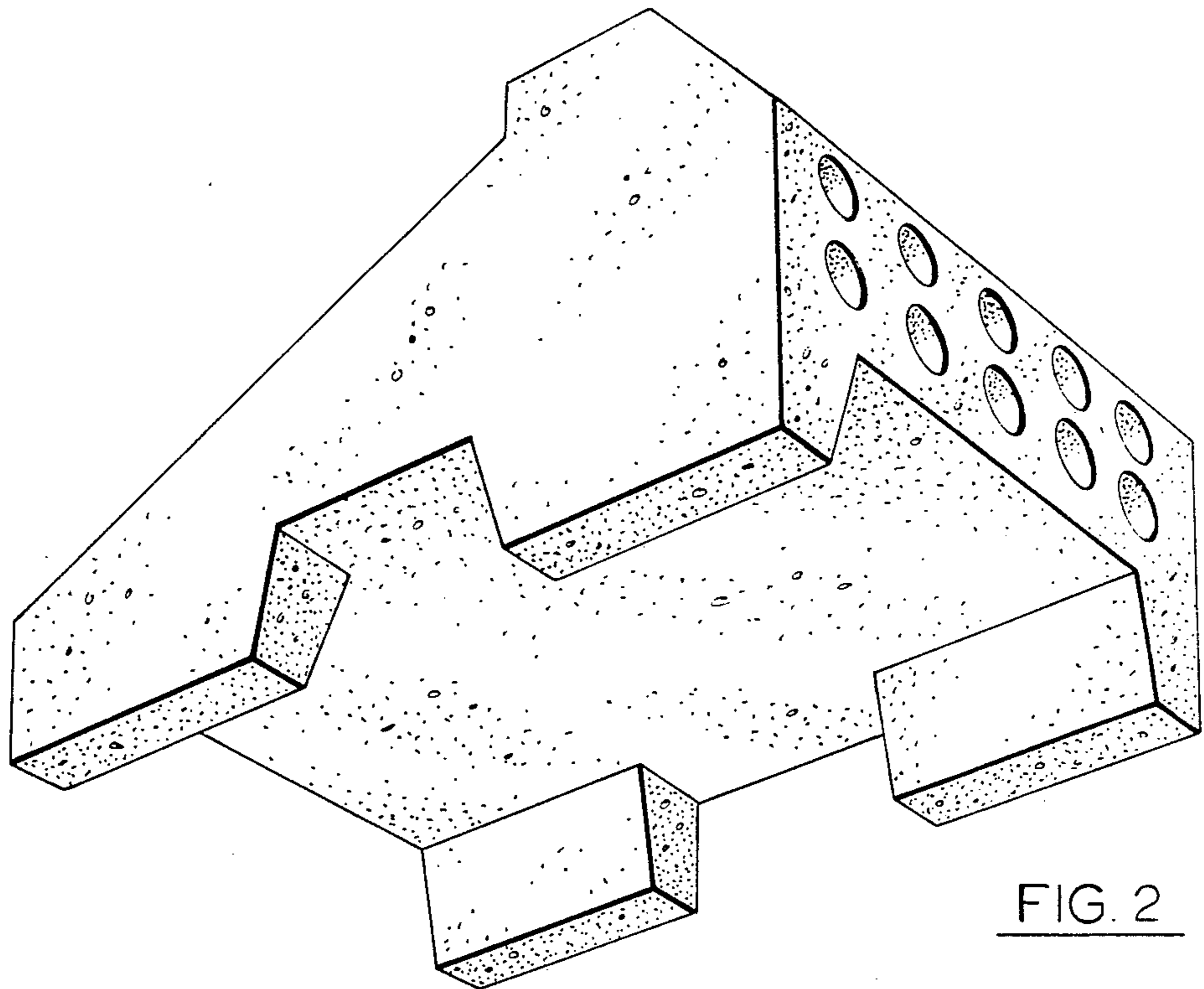
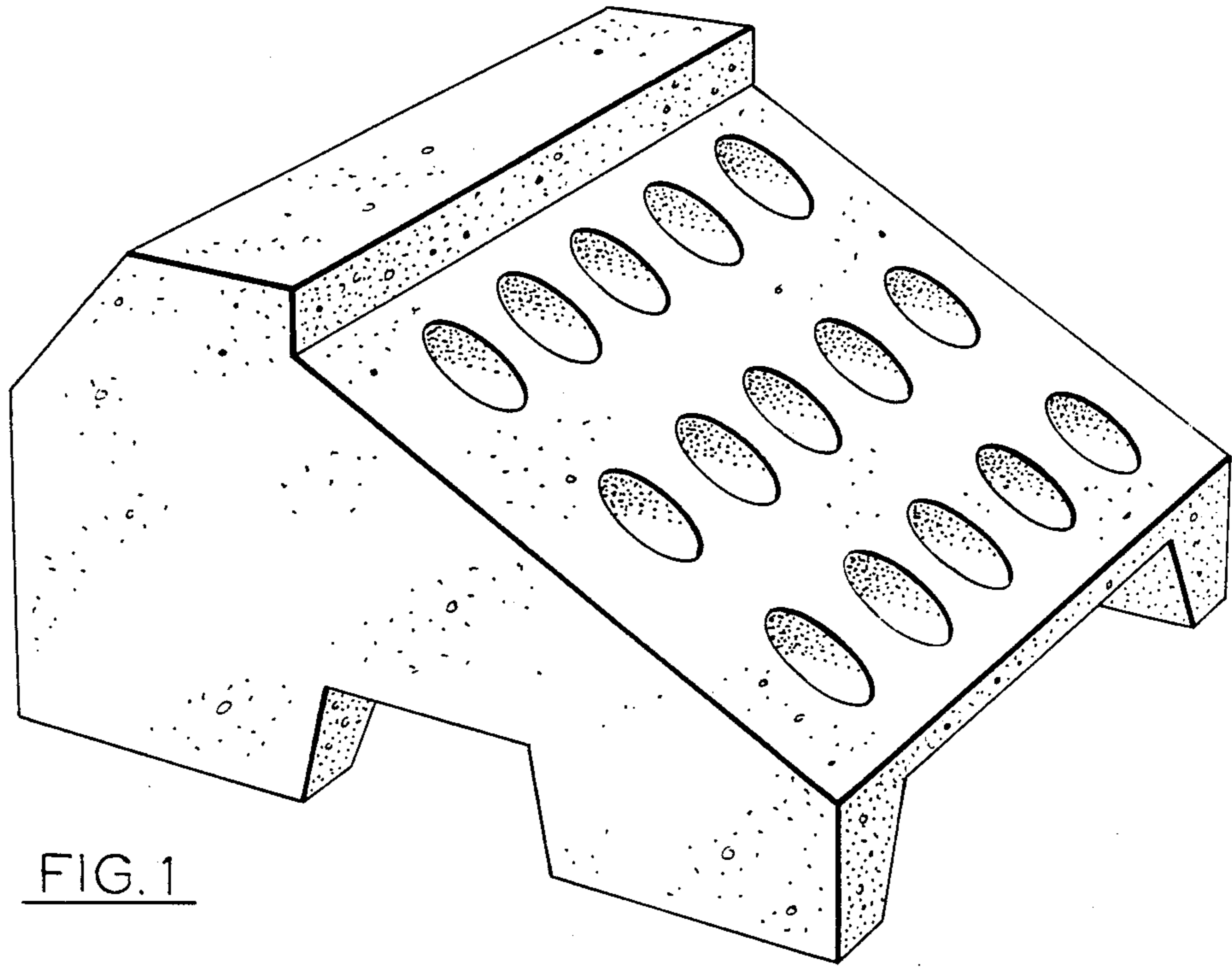


FIG. 3

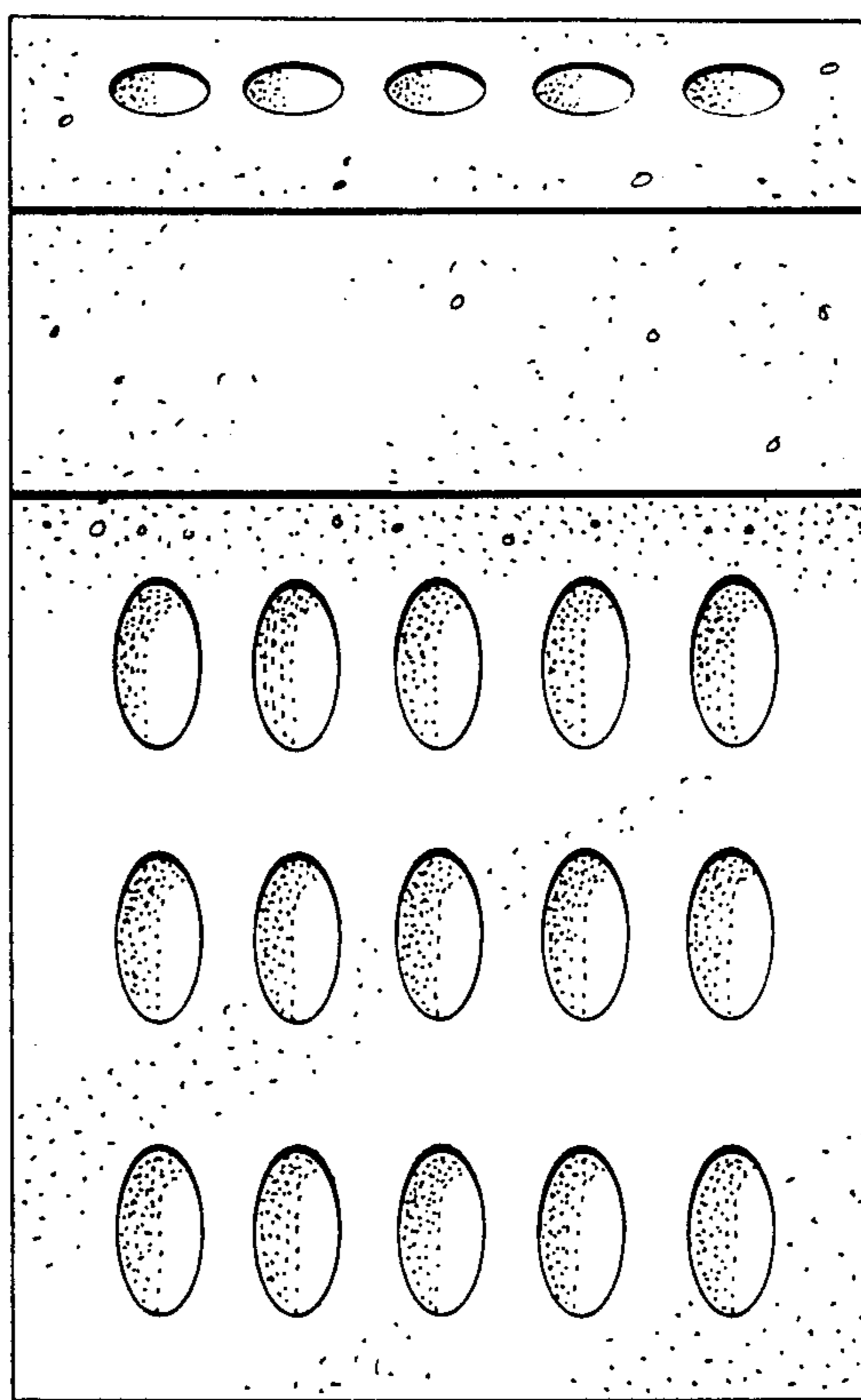


FIG. 4

