

United States Patent [19]
Apostolopoulos

[11] **Patent Number: Des. 302,312**
[45] **Date of Patent: ** Jul. 18, 1989**

[54] **CORNER BLOCK**

[75] **Inventor: Joannis Apostolopoulos, Wädenswil, Switzerland**

[73] **Assignee: The Dow Chemical Company, Midland, Mich.**

[**] **Term: 14 Years**

[21] **Appl. No.: 845,380**

[22] **Filed: Mar. 20, 1986**

[30] **Foreign Application Priority Data**

Oct. 9, 1985 [WO] World Int. Prop. O. 000426
[52] **U.S. Cl. D25/113**
[58] **Field of Search 52/590, 593; D25/113, D25/114, 118; 404/41, 34**

[56] **References Cited**

U.S. PATENT DOCUMENTS

4,641,470 2/1987 Baumberger D25/114 X
4,671,039 6/1987 Hunt 52/593

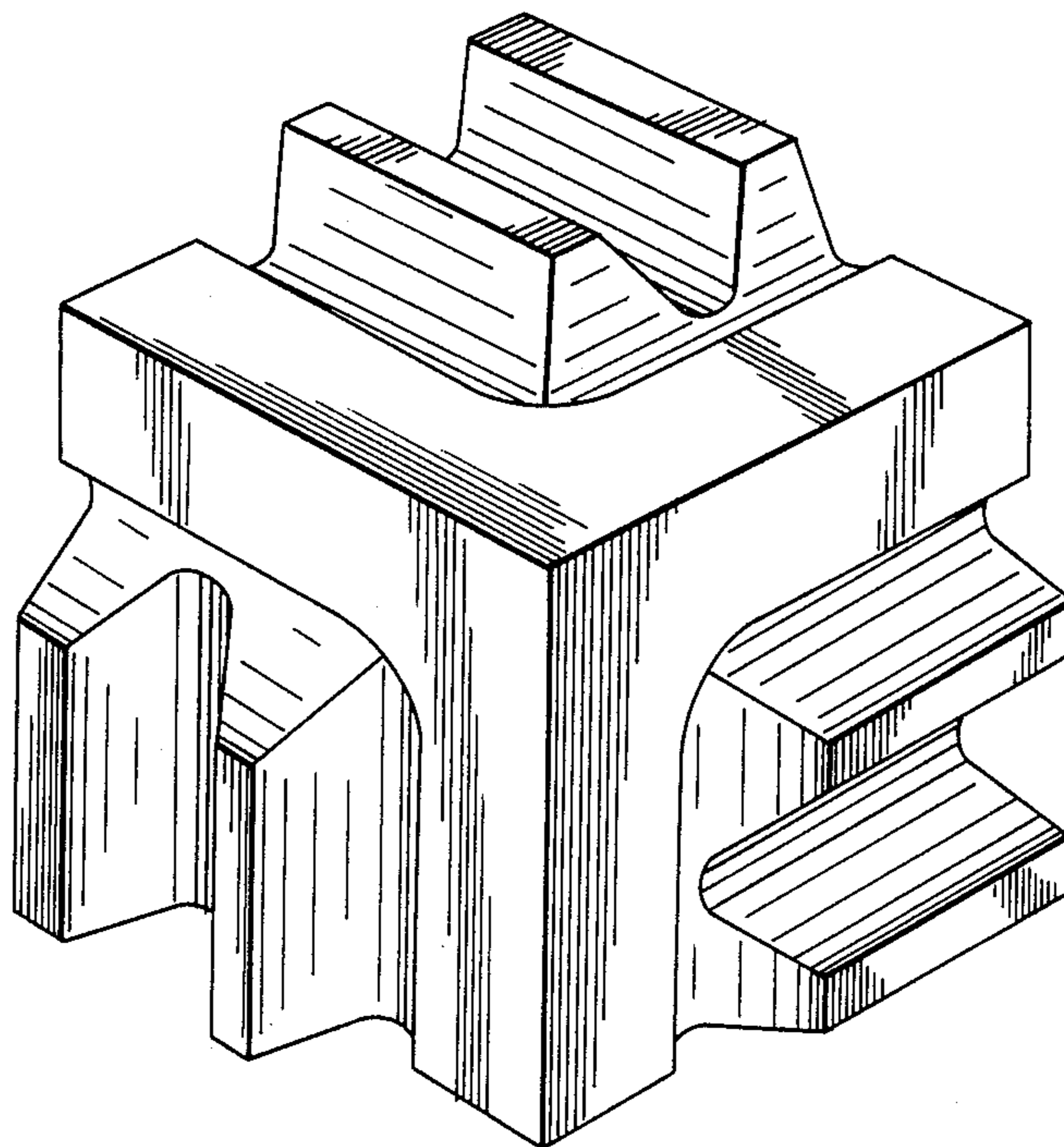
Primary Examiner—A. Hugo Word

[57] **CLAIM**

The ornamental design for a corner block, as shown and described.

DESCRIPTION

FIG. 1 is a rear elevational view.
FIG. 2 is a front elevational view.
FIG. 3 is a front perspective view.
FIG. 4 is a back perspective view.
FIG. 5 is a second front perspective view.



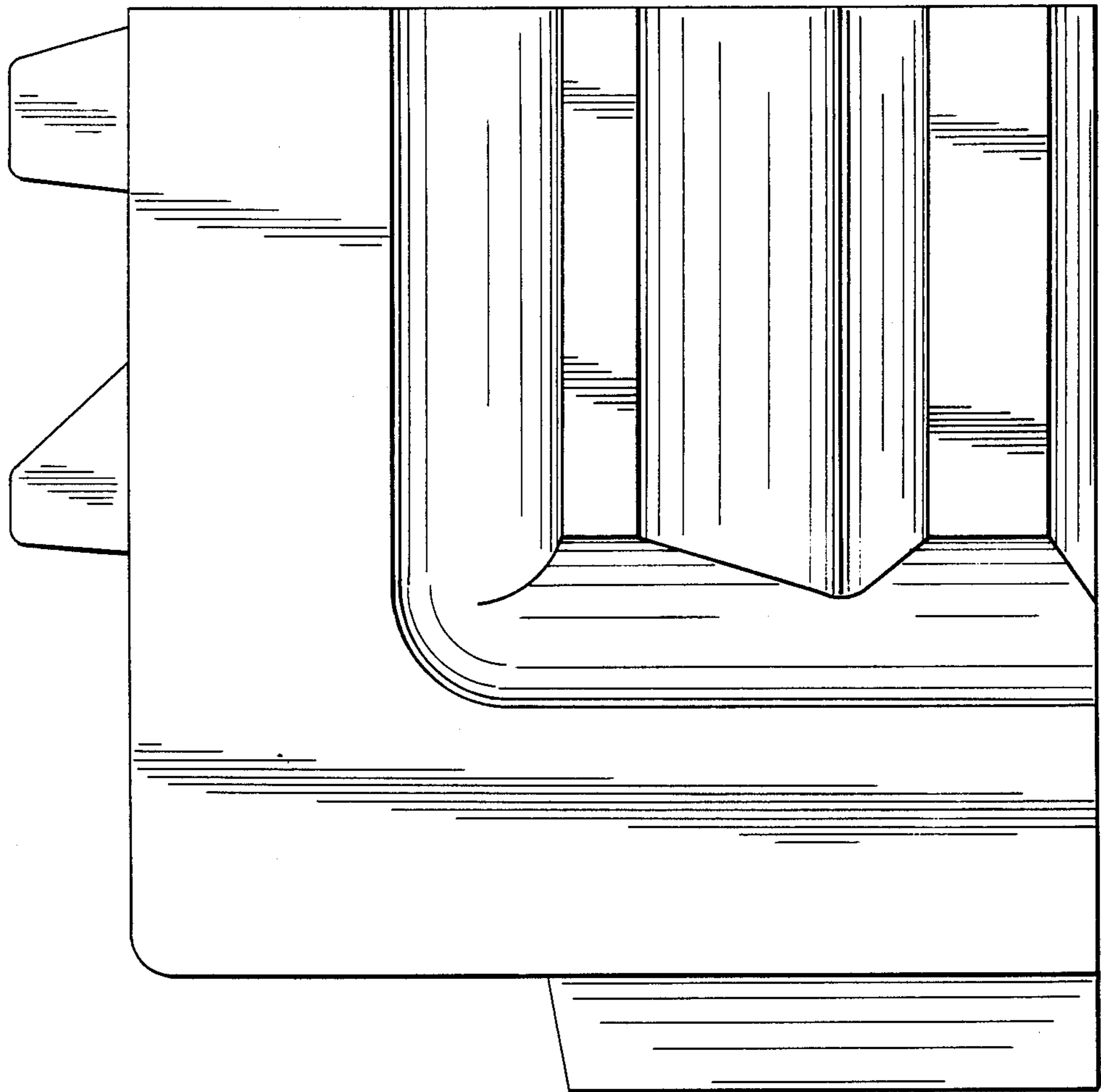


FIG. 1

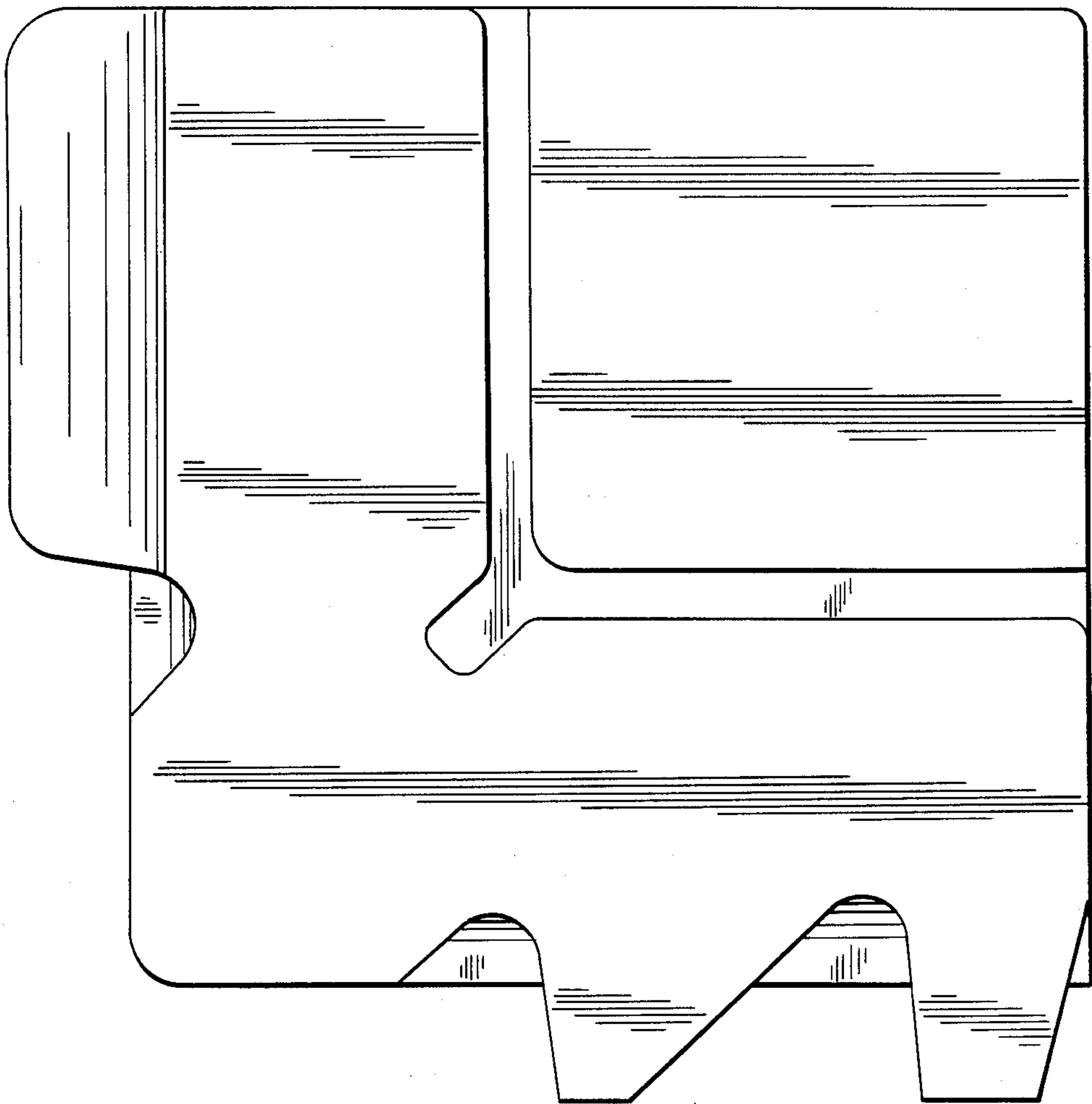


FIG. 2

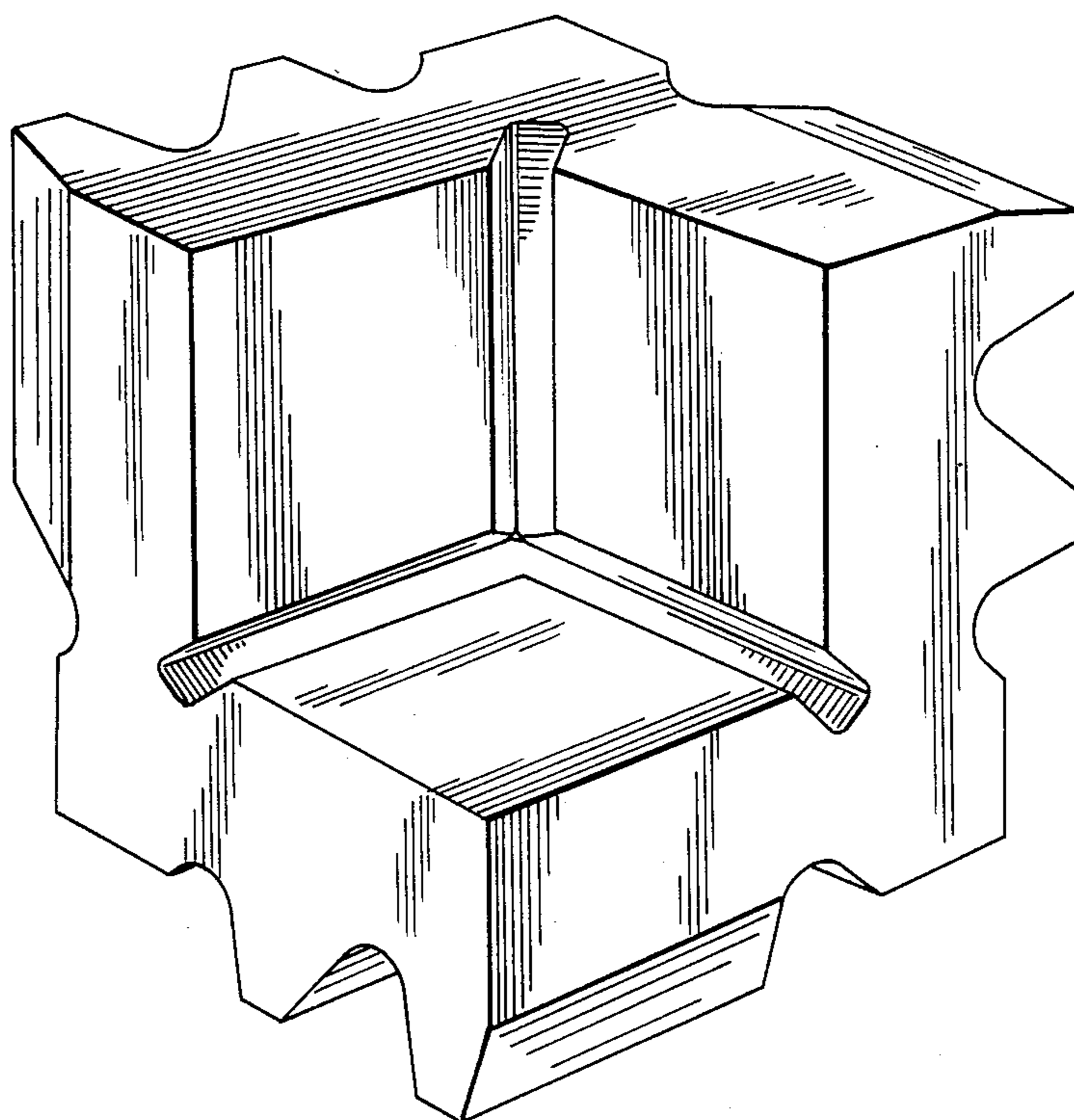


FIG. 3

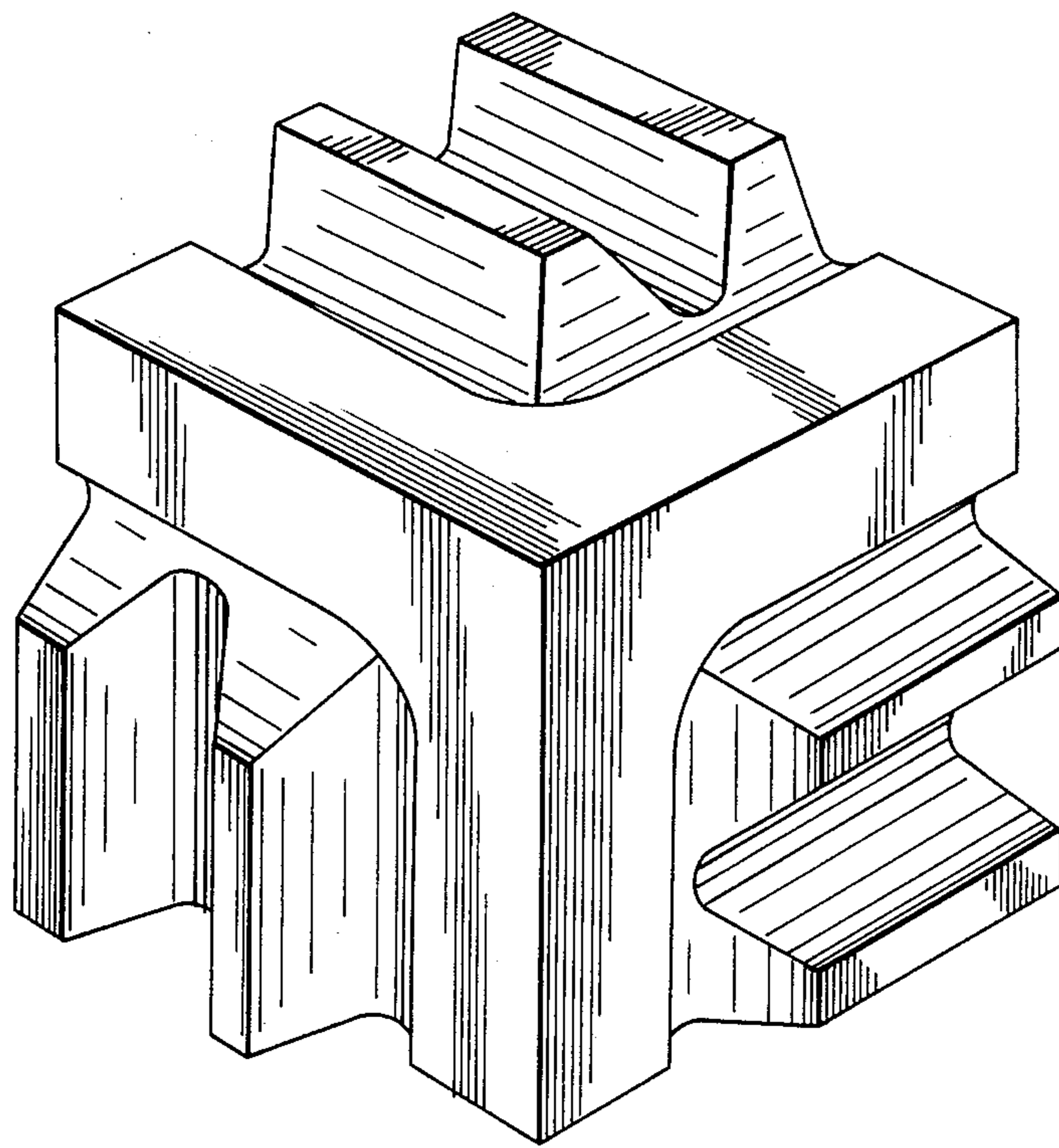


FIG. 4

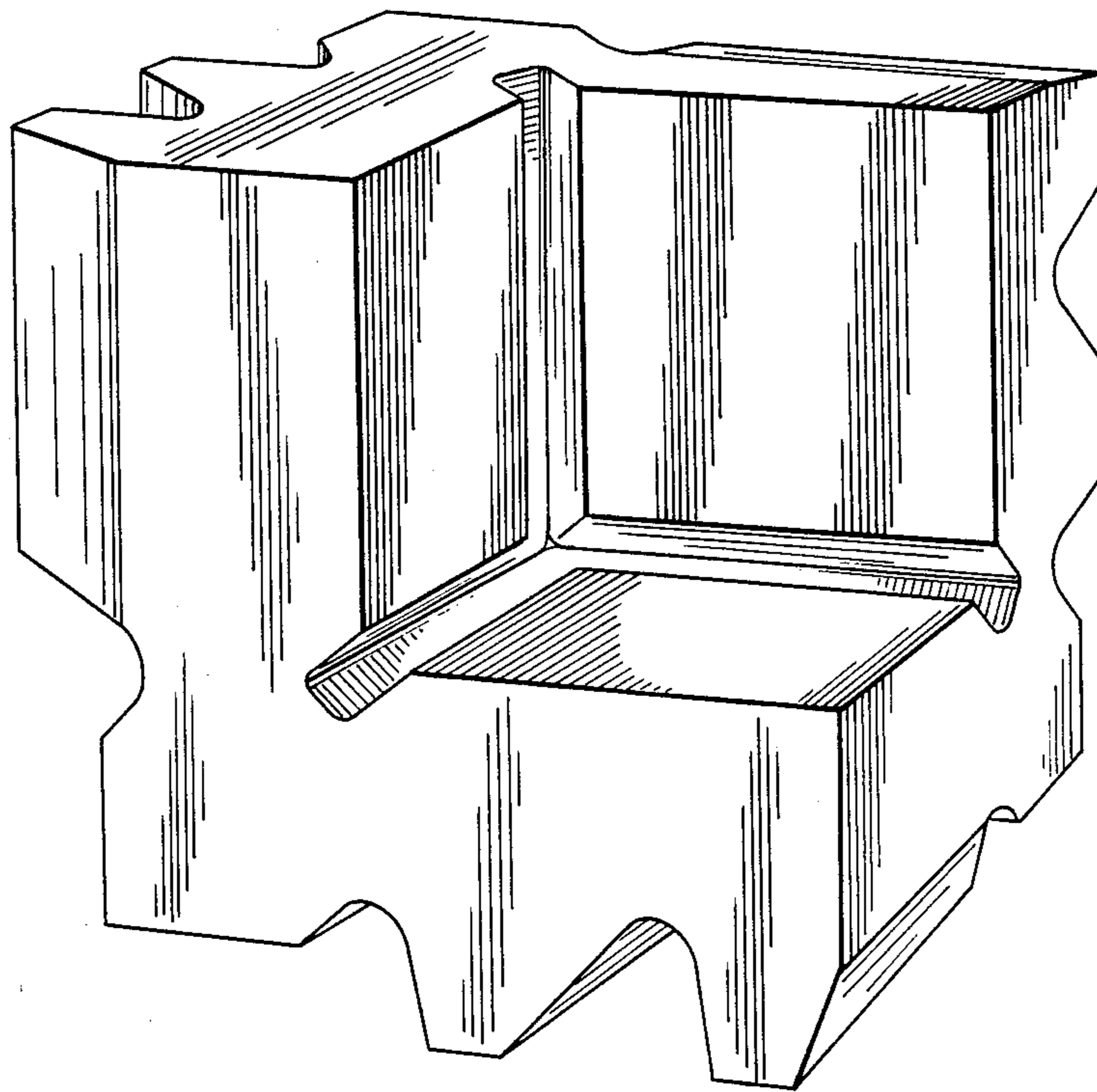


FIG. 5