

[54] **WALL MOUNTED VENTILATION FAN DOOR**

2,035,234 3/1936 Hoper .  
2,084,807 6/1937 Hueglin .  
2,398,017 4/1946 Lidin ..... 49/163 X

[76] **Inventor: Norman B. Buck, Rte. 7, Box 596 B1, Salisbury, N.C. 28144**

[\*\*] **Term: 14 Years**

[21] **Appl. No.: 932,397**

[22] **Filed: Nov. 19, 1986**

[52] **U.S. Cl. .... D25/48**

[58] **Field of Search ..... 49/163; D25/48, 52; 58/29, 31, 35, 61, 87, 108, 114**

**OTHER PUBLICATIONS**

1981 Sweets Catalog File, 8.12/KA, p. 1.

*Primary Examiner*—A. Hugo Word  
*Attorney, Agent, or Firm*—Terry M. Gernstein

[57] **CLAIM**

The ornamental design for a wall mounted ventilation fan door, as shown and described.

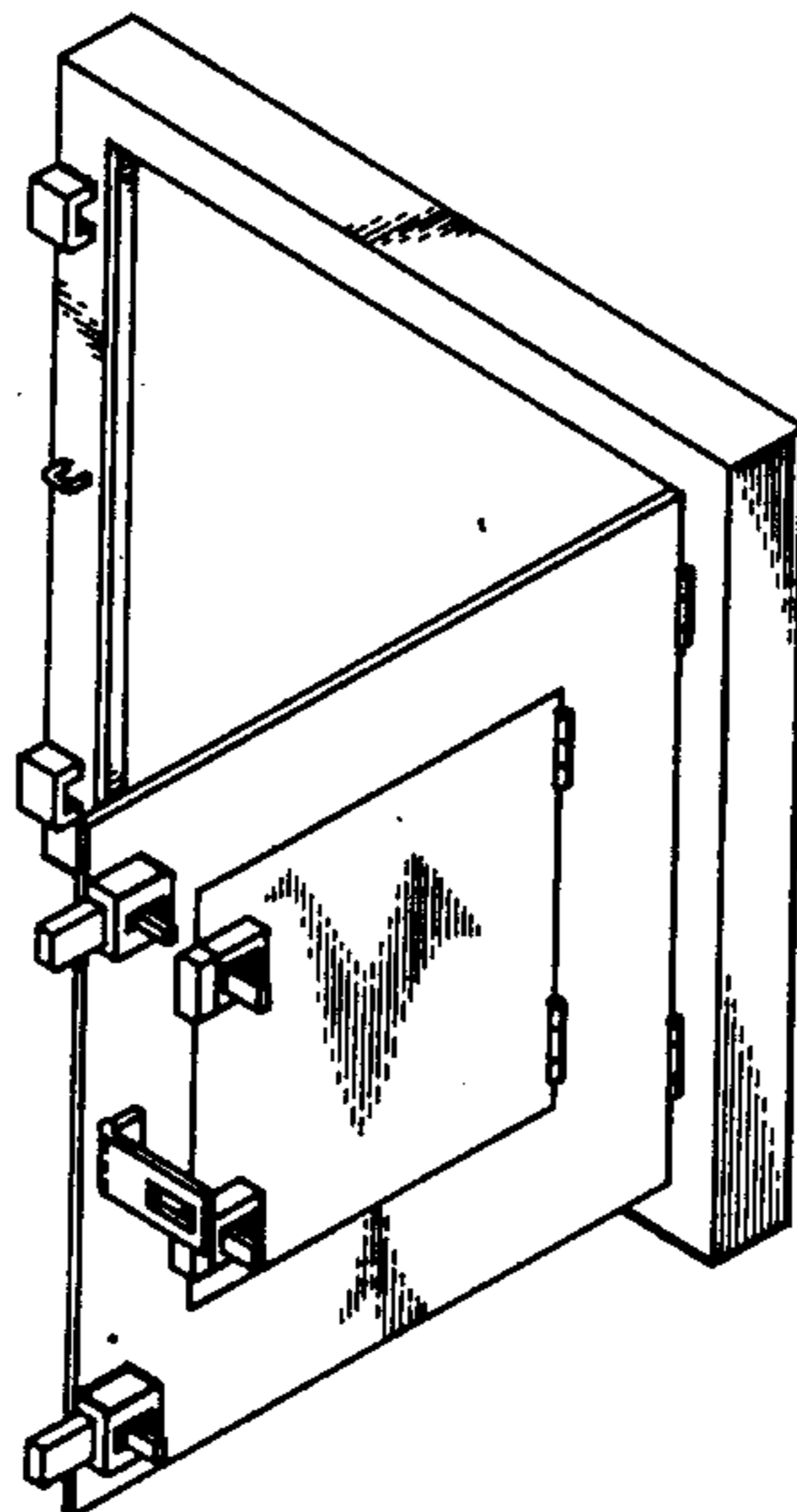
**DESCRIPTION**

FIG. 1 is a front perspective view of a wall mounted ventilation fan door showing my new design;  
FIG. 2 is a rear perspective view;  
FIG. 3 is a front view;  
FIG. 4 is a rear view;  
FIG. 5 is a top view;  
FIG. 6 is a bottom view;  
FIG. 7 is a left side view; and  
FIG. 8 is a right side view thereof.

[56] **References Cited**

**U.S. PATENT DOCUMENTS**

304,356 9/1884 Perry .  
1,275,549 8/1918 Frere .  
1,514,643 11/1924 Wine .  
1,677,910 7/1928 Wills .  
1,687,843 10/1928 Miller .  
1,713,648 5/1929 Feinberg .  
1,735,430 11/1929 Girand .  
1,761,250 6/1930 Baltes .



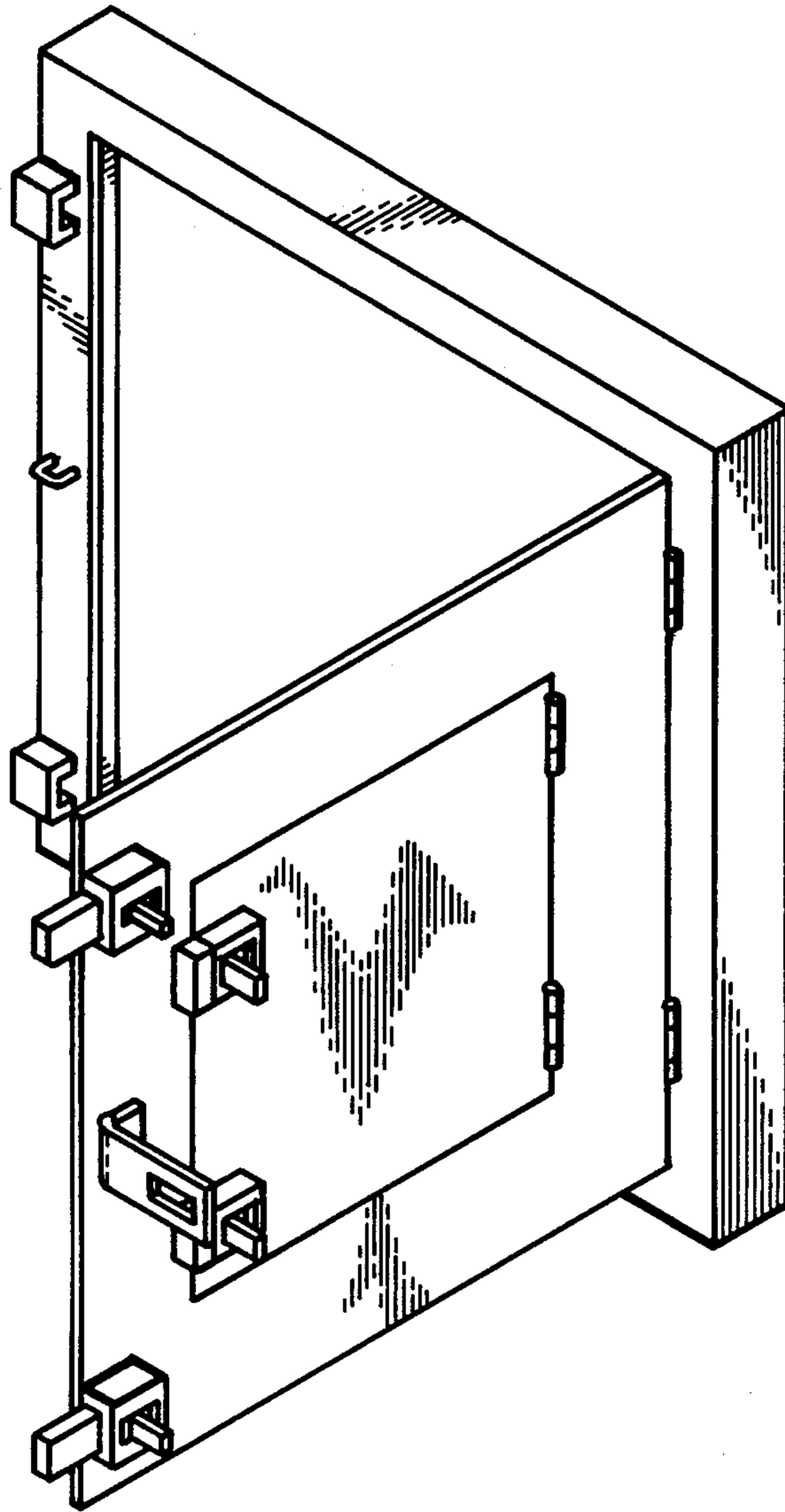


Fig. 1

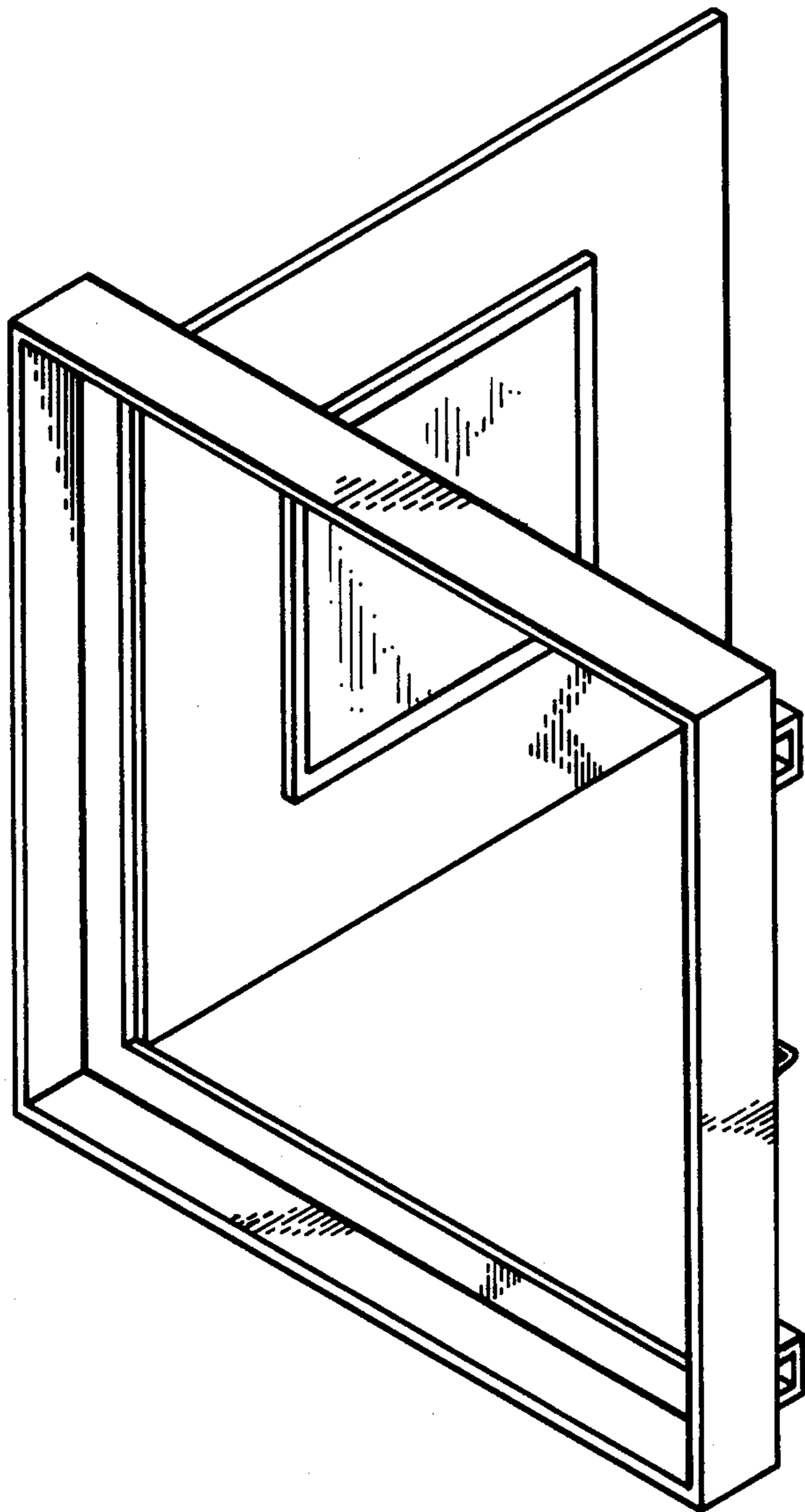


Fig. 2

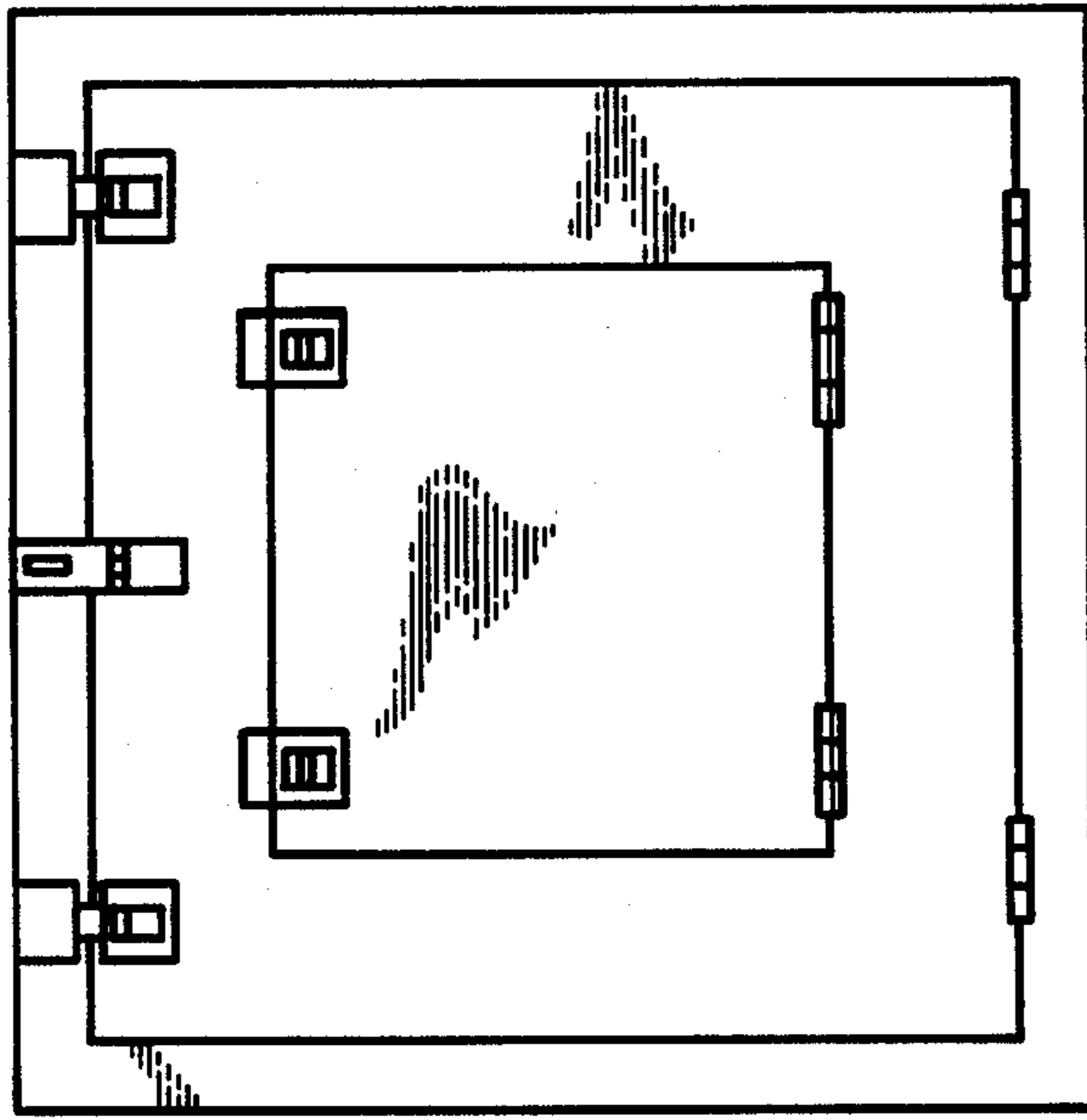


Fig. 3

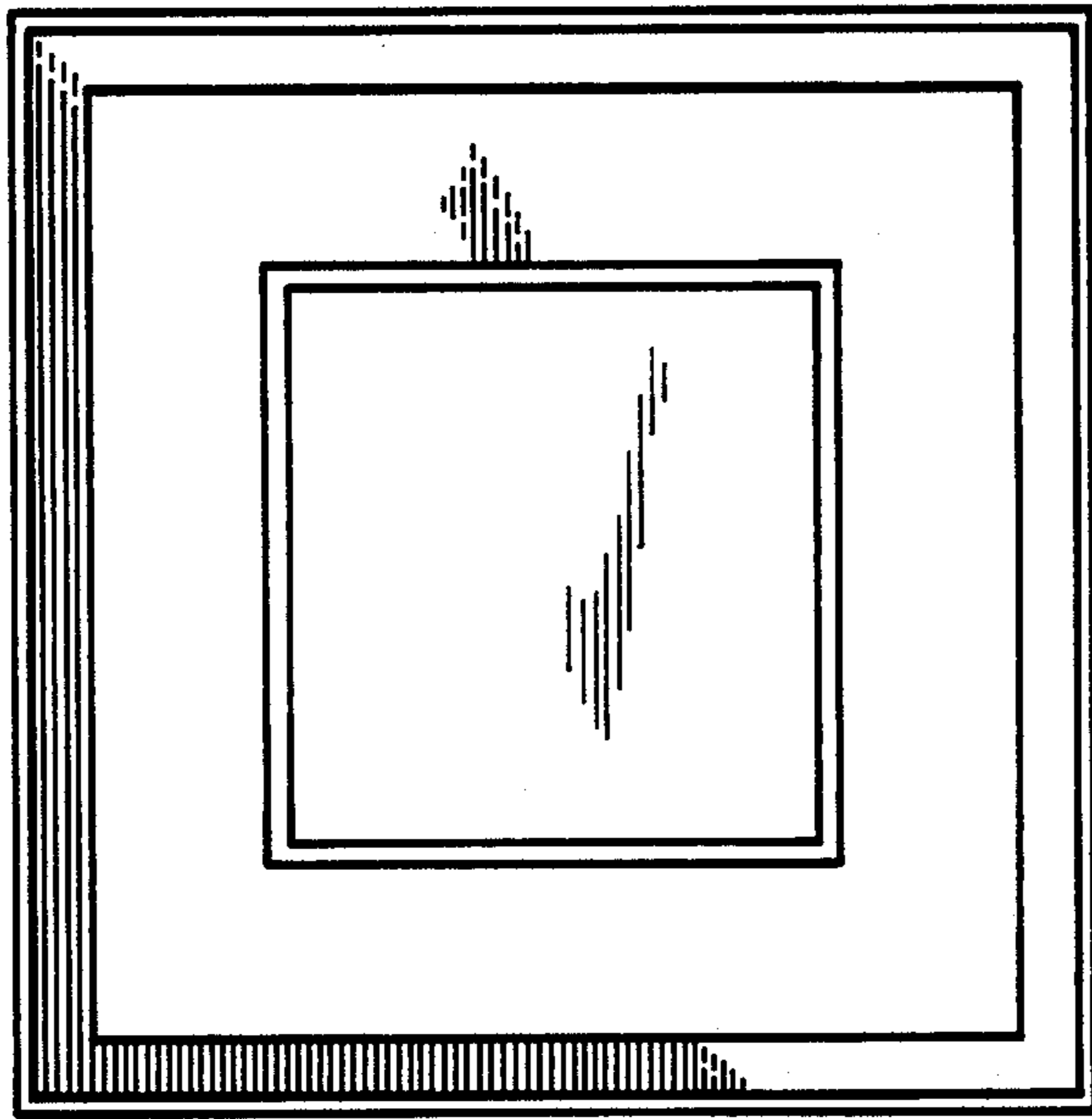


Fig. 4



Fig. 5

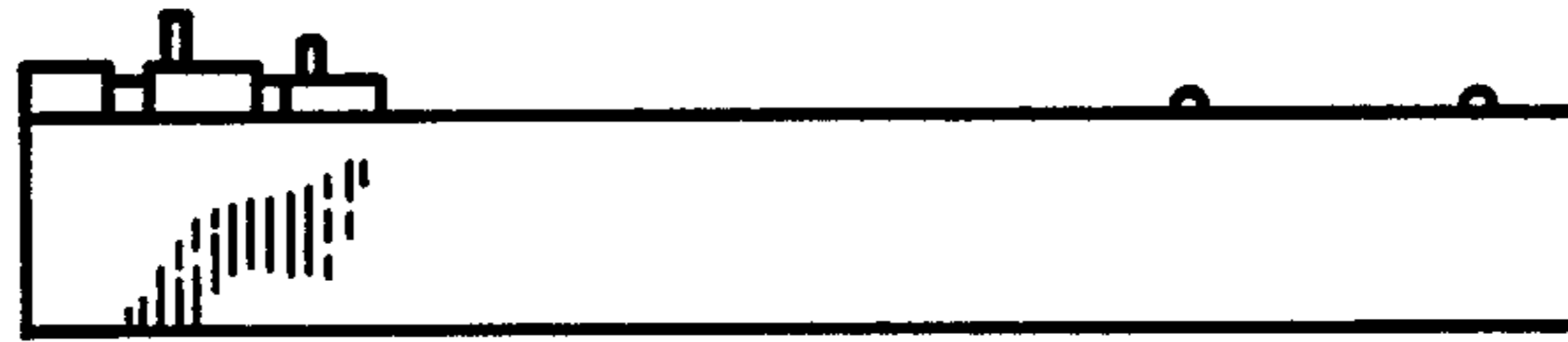


Fig. 6

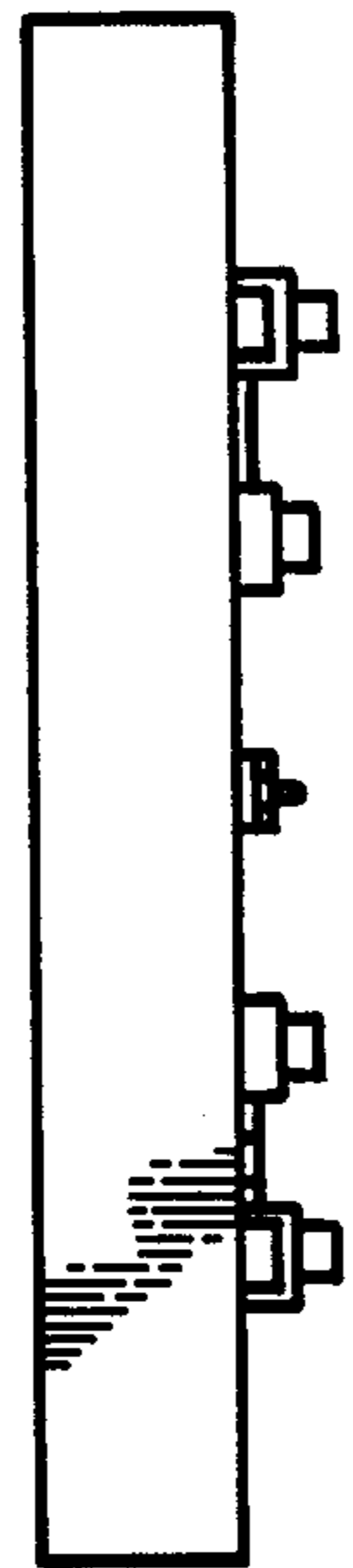


Fig. 7

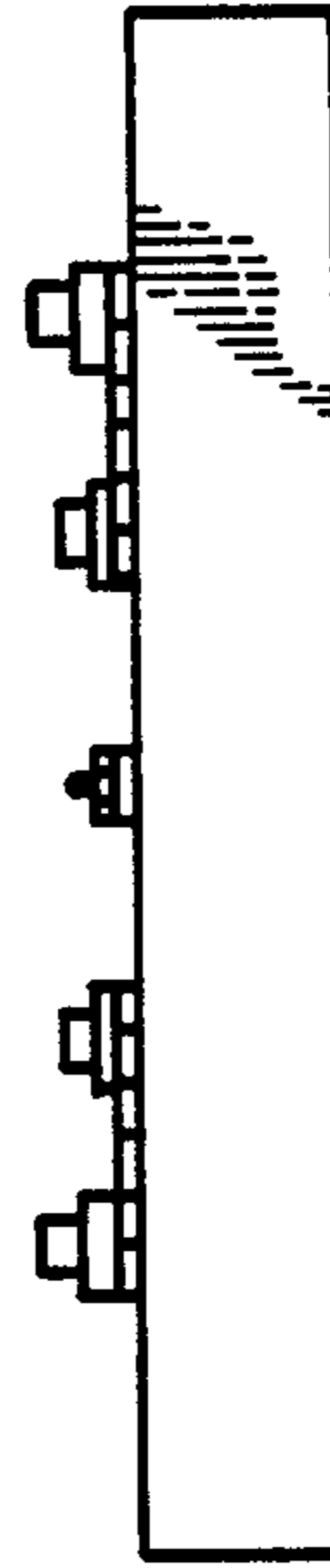


Fig. 8