

[54] SPINAL IMMOBILIZER

[75] Inventor: Robert A. Russell, Sydney, Australia

[73] Assignee: Garry Miller & Associates Pty. Limited, New South Wales, Australia

[**] Term: 14 Years

[21] Appl. No.: 938,766

[22] Filed: Dec. 5, 1986

[30] Foreign Application Priority Data

Jun. 5, 1986 [AU] Australia 5509/86

[52] U.S. Cl. D24/64

[58] Field of Search D24/64; 128/84 R, 8 R, 128/89 B, 133, 134, 135

[56] References Cited

U.S. PATENT DOCUMENTS

D. 226,341 2/1973 Rhoads D24/64

D. 286,073 10/1986 Russell D24/64
4,211,218 7/1980 Kendrick 128/87 R
4,299,209 11/1981 Behrens et al. 128/87 B
4,718,412 1/1988 Nesbitt 128/87 R

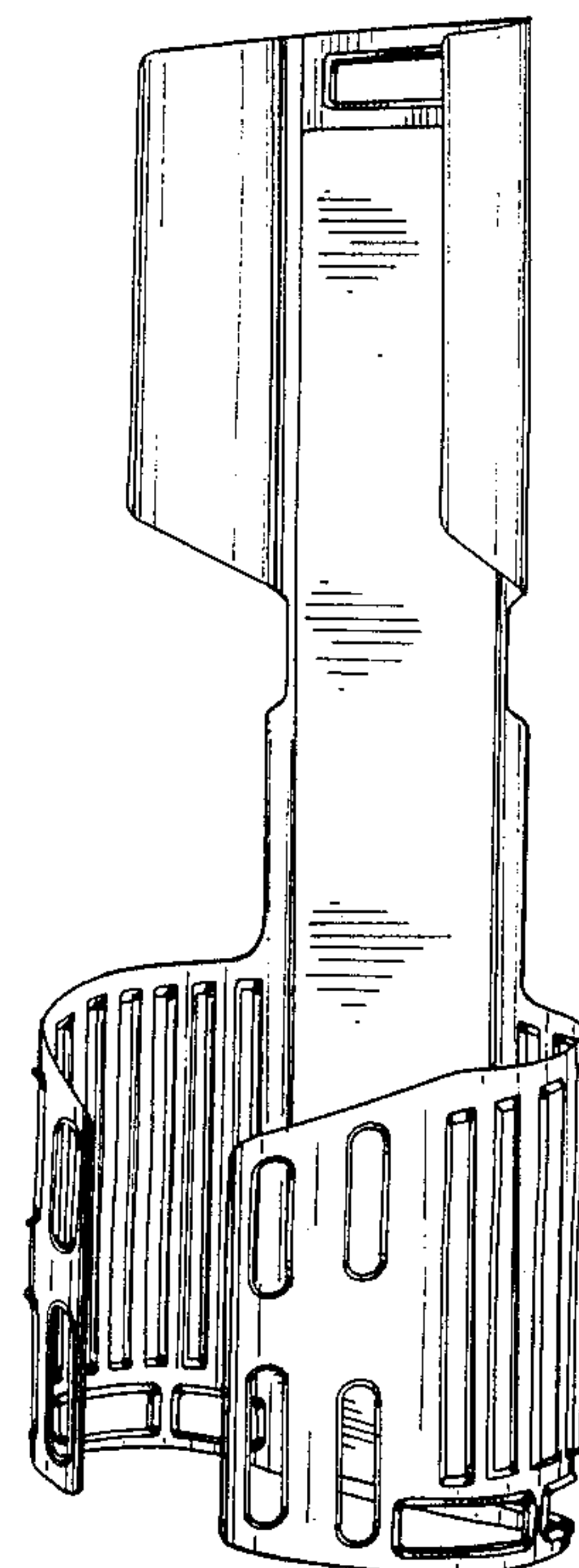
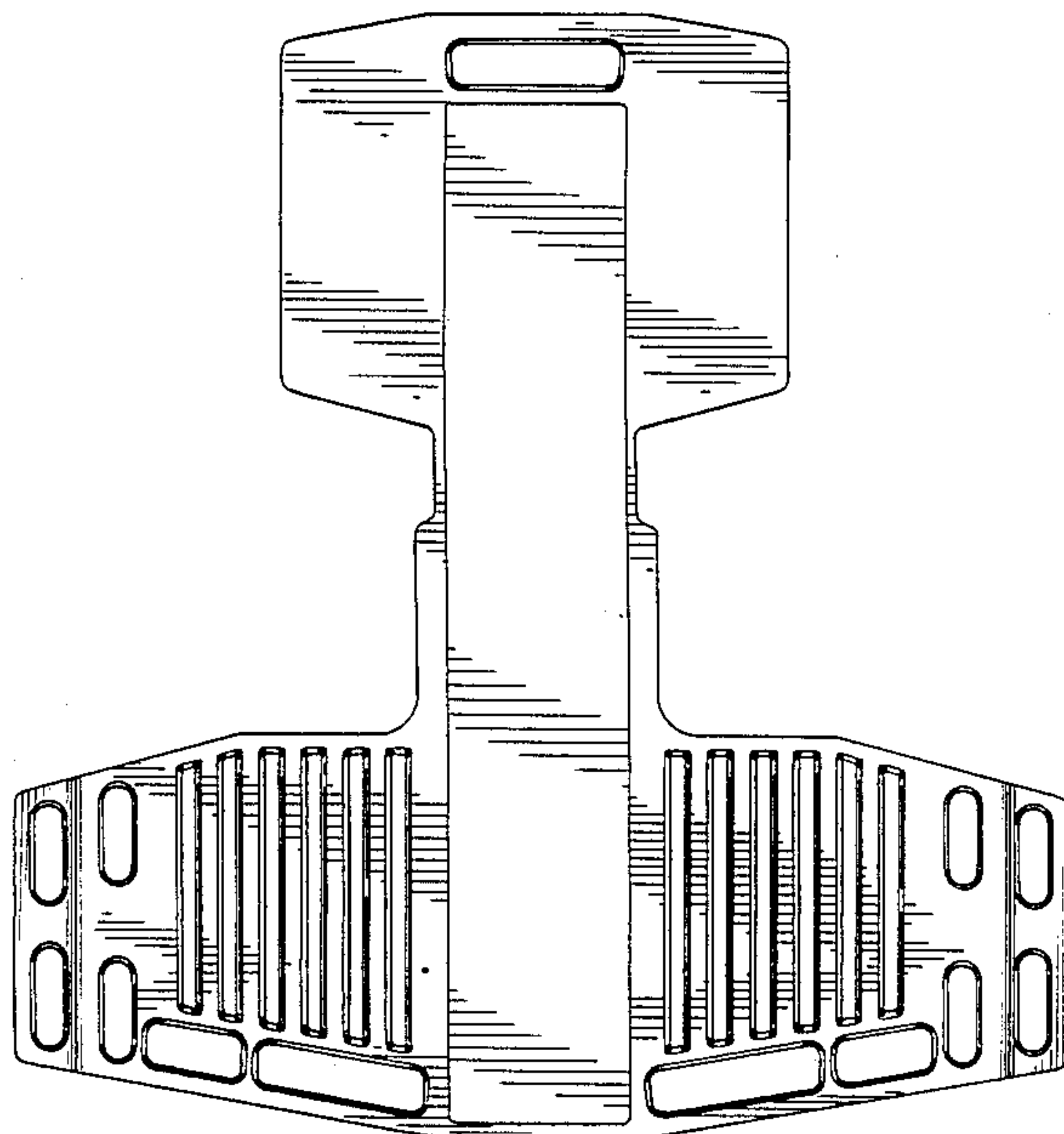
Primary Examiner—Wallace R. Burke
Assistant Examiner—Stella M. Reid
Attorney, Agent, or Firm—Holman & Stern

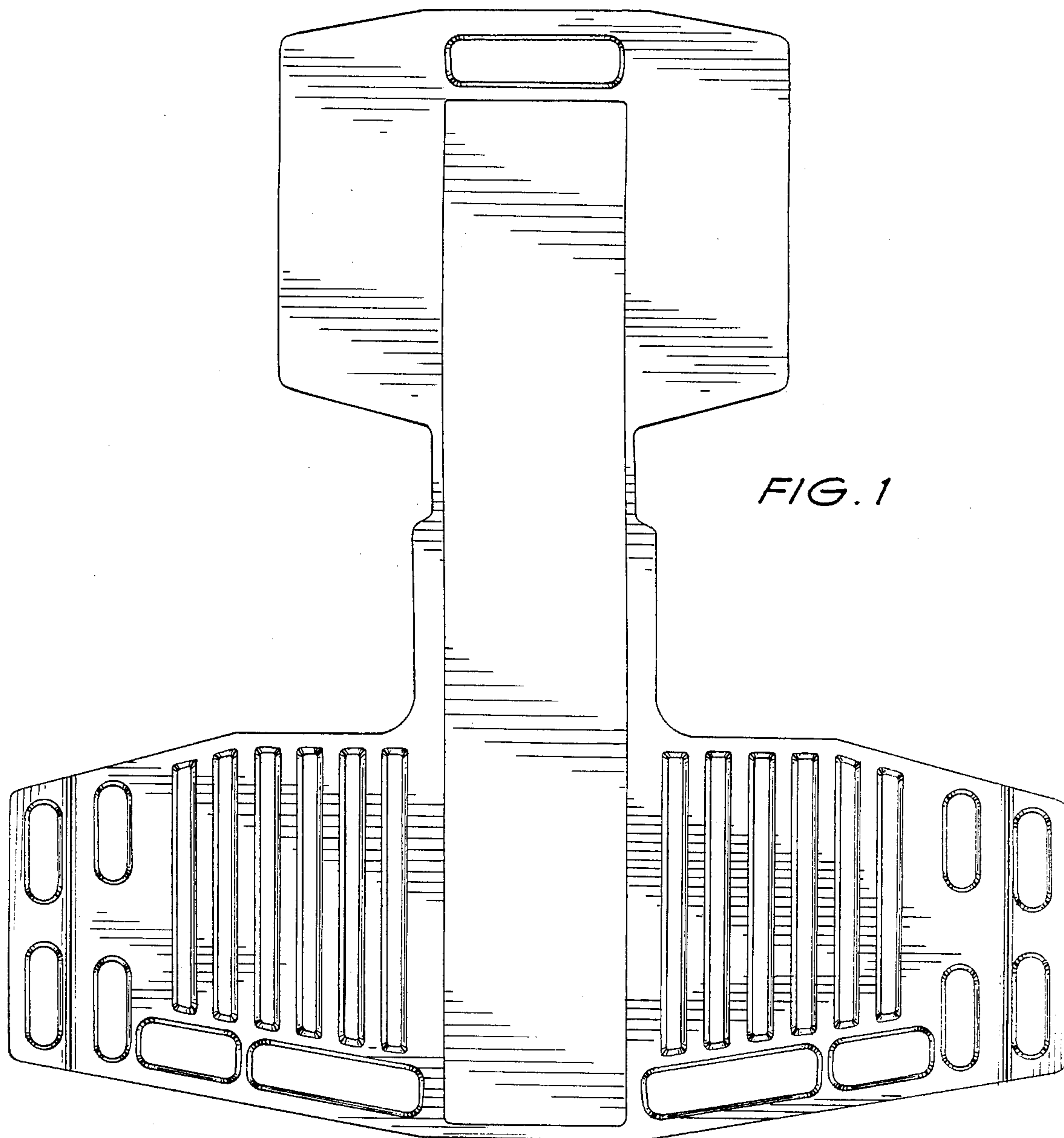
[57] CLAIM

The ornamental design for a spinal immobilizer, as shown and described.

DESCRIPTION

FIG. 1 is a front elevational view of a spinal immobilizer showing my new design;
FIG. 2 is a rear elevational view thereof;
FIG. 3 is a bottom plan view thereof;
FIG. 4 is a top plan view thereof;
FIG. 5 is a side elevational view thereof; and
FIG. 6 is a front perspective view thereof, in wearing configuration.





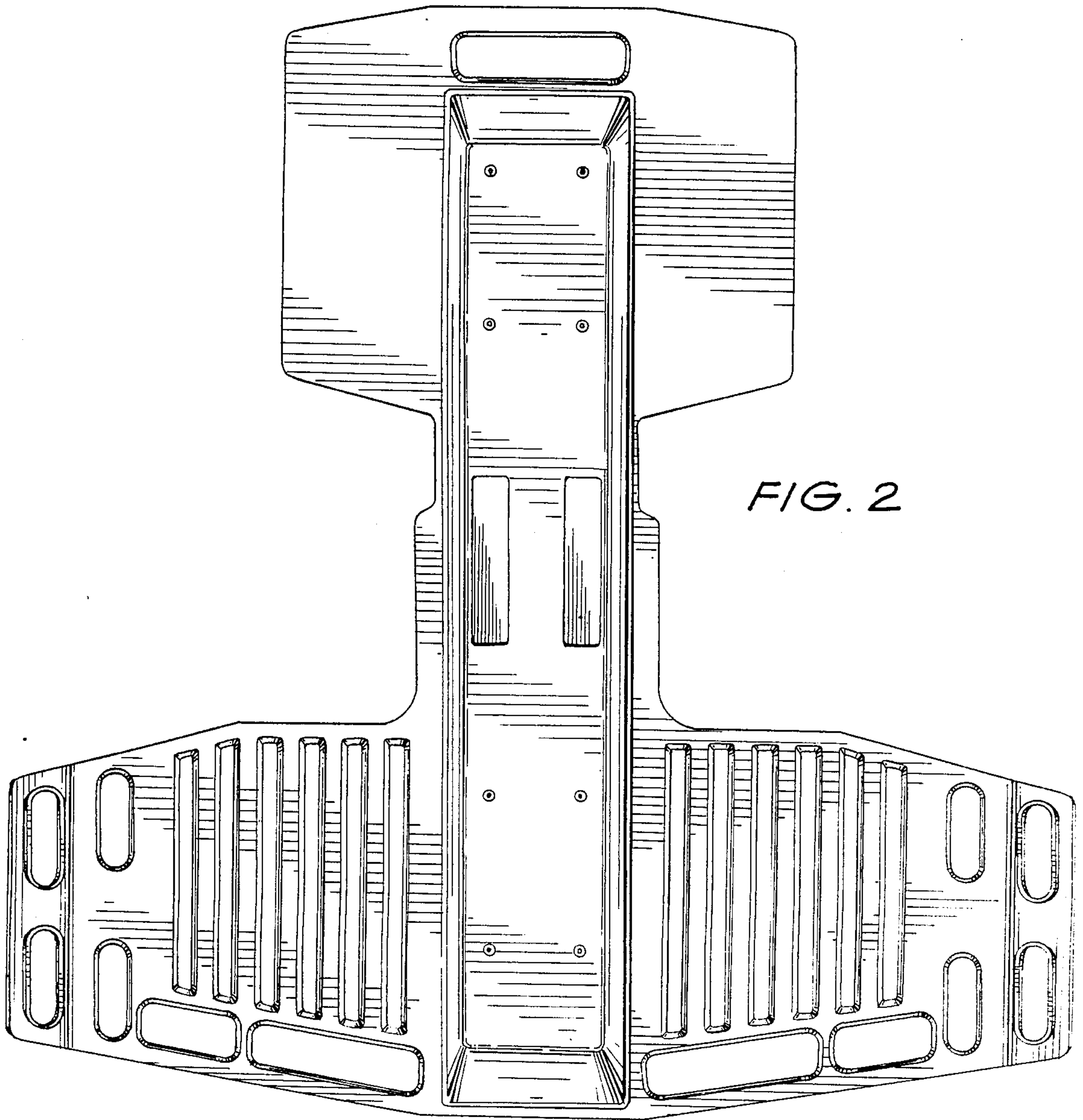


FIG. 2

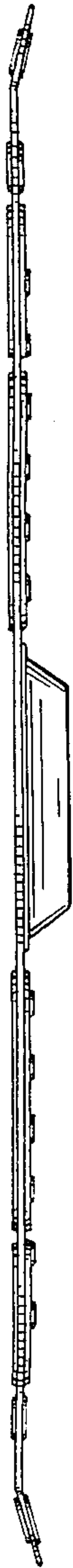


FIG. 3

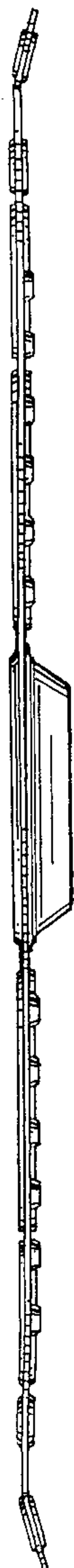


FIG. 4

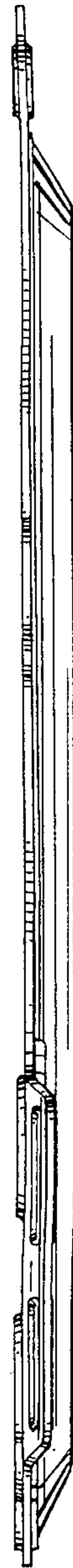


FIG. 5

FIG. 6

