

[54] SECONDARY SET LOCK TO SECURE A SECONDARY INTRAVENOUS SET LINE TO A PRIMARY INTRAVENOUS SET LINE

[75] Inventors: Lee K. Kulle, Mundelein; Mary A. Ahern, Evanston, both of Ill.

[73] Assignee: Baxter International Inc., Deerfield, Ill.

[\*\*] Term: 14 Years

[21] Appl. No.: 906,348

[22] Filed: Sep. 10, 1986

[52] U.S. Cl. .... D24/53

[58] Field of Search ..... D24/52, 53, 51; 604/93, 604/280; 128/DIG. 26; 285/114, 39, 92; 339/75 R; 137/899.1, 355.17

[56] References Cited

U.S. PATENT DOCUMENTS

D. 283,441	4/1986	Vcelka et al. ....	D24/53
874,378	12/1907	Allen .	
883,002	3/1908	Middlebrook .	
1,310,627	7/1919	McEvelly .	
2,461,427	2/1949	Kneebone .....	173/322
3,881,753	5/1975	Bochory .....	285/92
4,004,586	1/1977	Christensen et al. ....	128/214
4,082,094	4/1978	Dailey .....	128/214
4,183,603	1/1980	Donarummo .....	339/75
4,221,449	9/1980	Shugart, Jr. ....	339/75
4,230,109	10/1980	Geiss .....	128/214
4,234,012	11/1980	Schupback .....	137/899
4,244,542	1/1981	Mathews .....	248/49
4,329,987	5/1982	Rogers et al. ....	128/214
4,333,505	6/1982	Jones et al. ....	141/383

4,539,003 9/1985 Tucker ..... 604/93

OTHER PUBLICATIONS

U.S. Defensive Publication T100,605.

Primary Examiner—A. Hugo Word

Assistant Examiner—Stella M. Reid

Attorney, Agent, or Firm—Kay H. Pierce; Paul C.

Flattery; Amy L. H. Rockwell

[57] CLAIM

The ornamental design for a secondary set lock to secure a secondary intravenous set line to a primary intravenous set line, as shown and described.

DESCRIPTION

FIG. 1 is a perspective view of a secondary set lock to secure a secondary intravenous set line to a primary intravenous set line, showing our new design;

FIG. 2 is a perspective view of an alternate embodiment of FIG. 1, in which the secondary set lock is elongated.

FIG. 3 is an end elevational view of the secondary set lock of FIG. 1;

FIG. 4 is a bottom plan view of the secondary set lock of FIG. 1;

FIG. 5 is a side-elevational view of the secondary set lock of FIG. 1;

FIG. 6 is a bottom plan view of the alternate embodiment of the secondary set lock of FIG. 2;

FIG. 7 is a side-elevational view of the alternative embodiment of the secondary set lock of FIG. 2;

FIG. 8 is a top plan view of a secondary set lock of FIG. 1;

FIG. 9 is a top plan view of an alternate embodiment of a secondary set lock of FIG. 2.

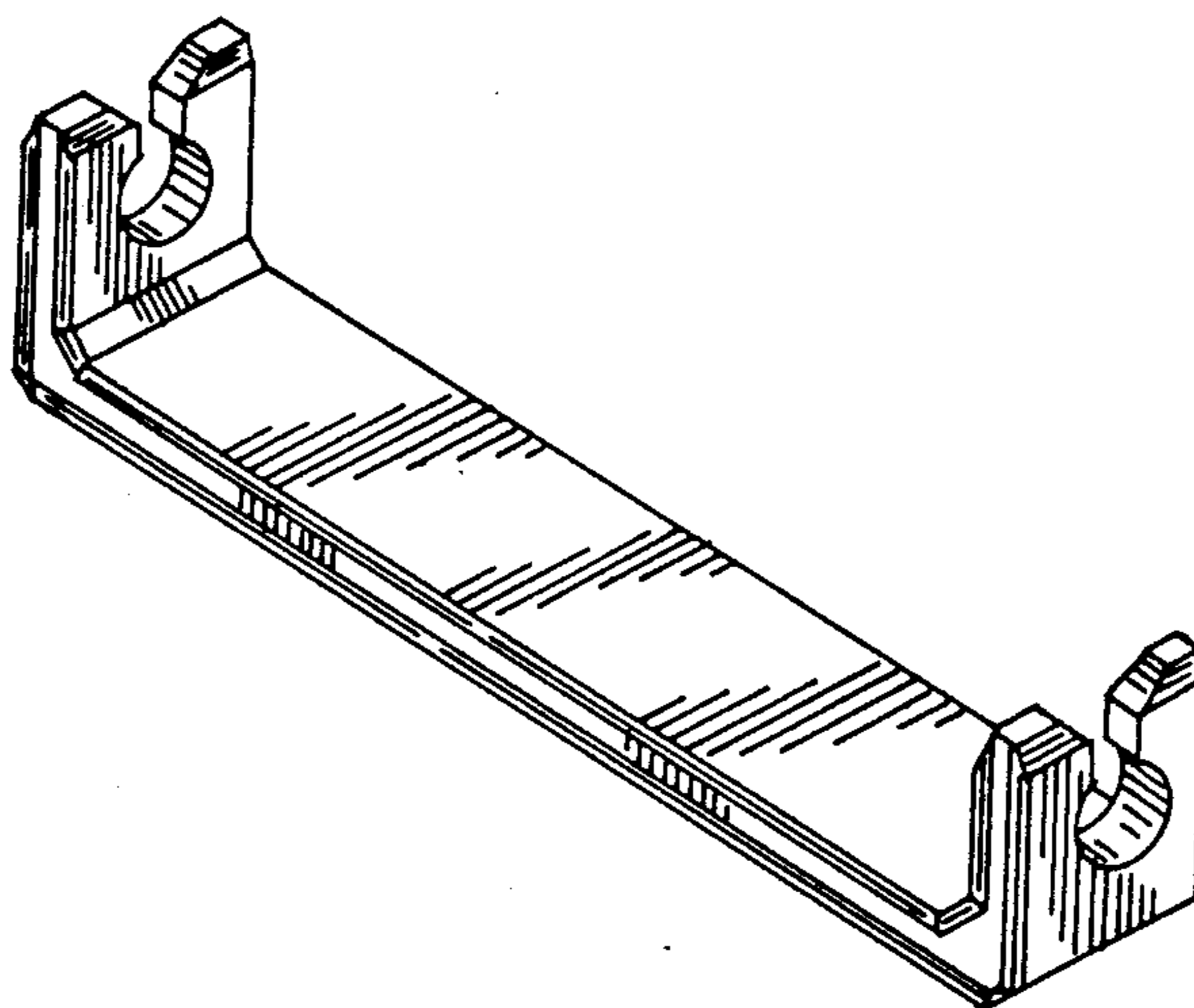


FIG. 1.

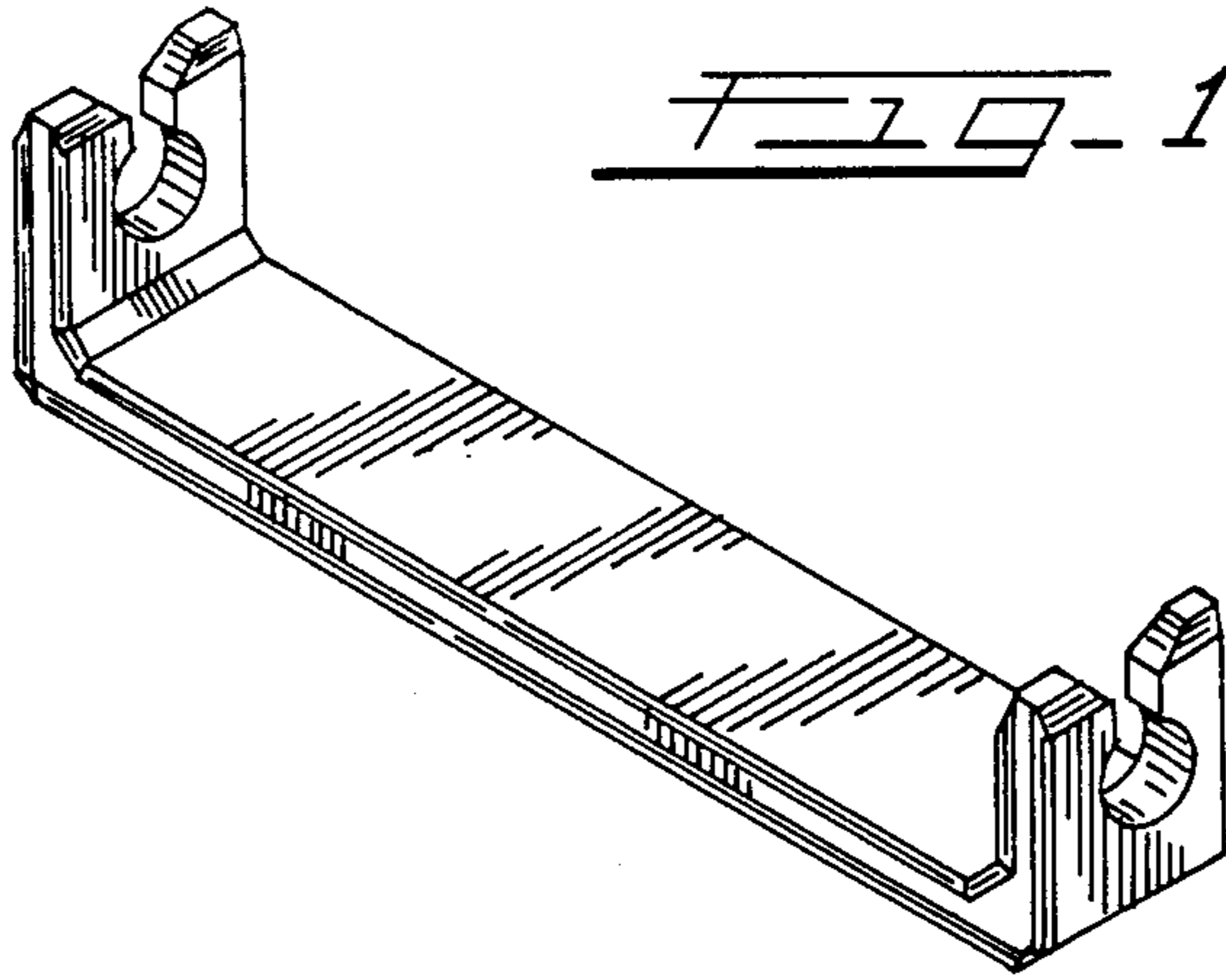


FIG. 2.

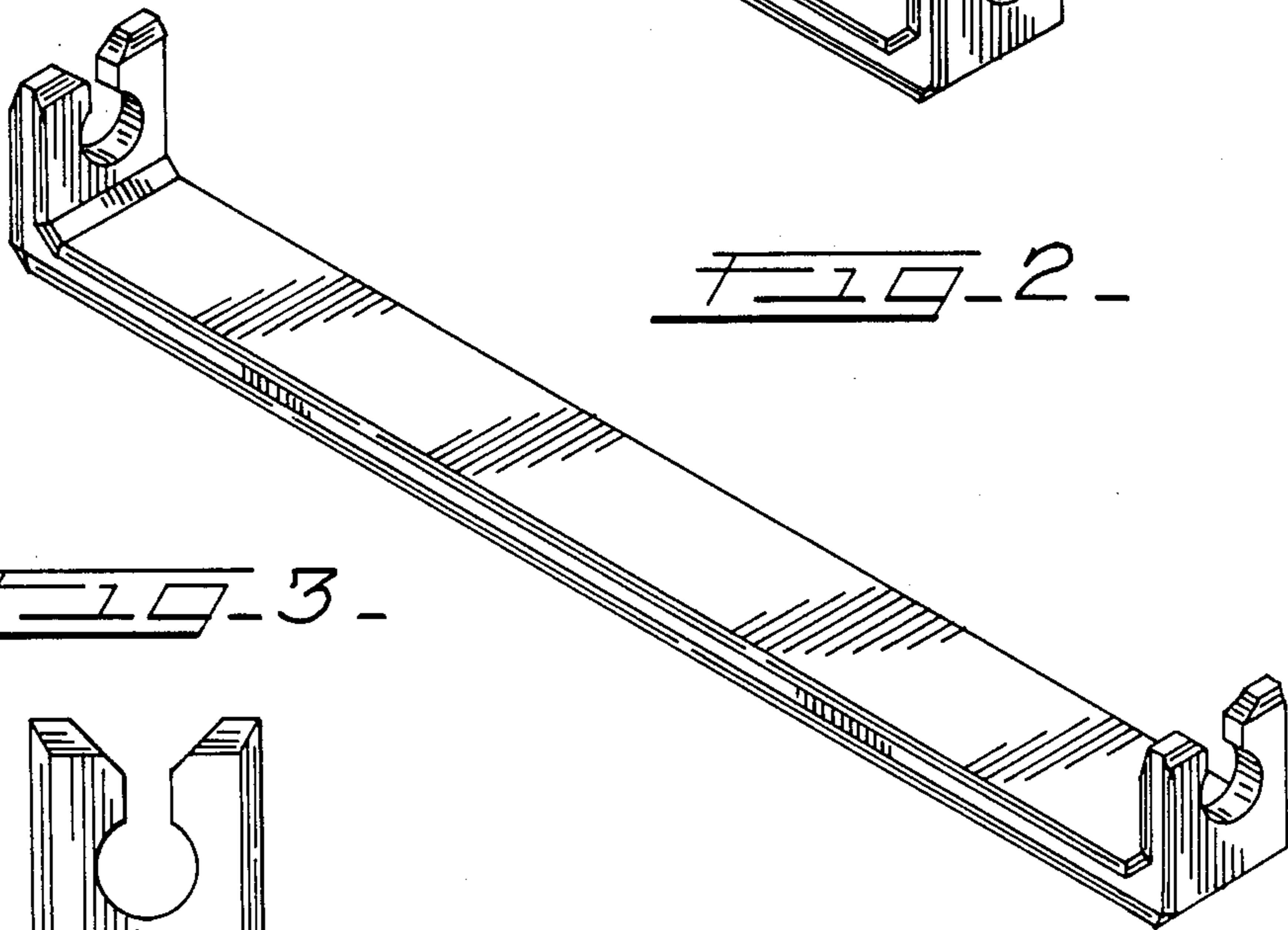


FIG. 3.

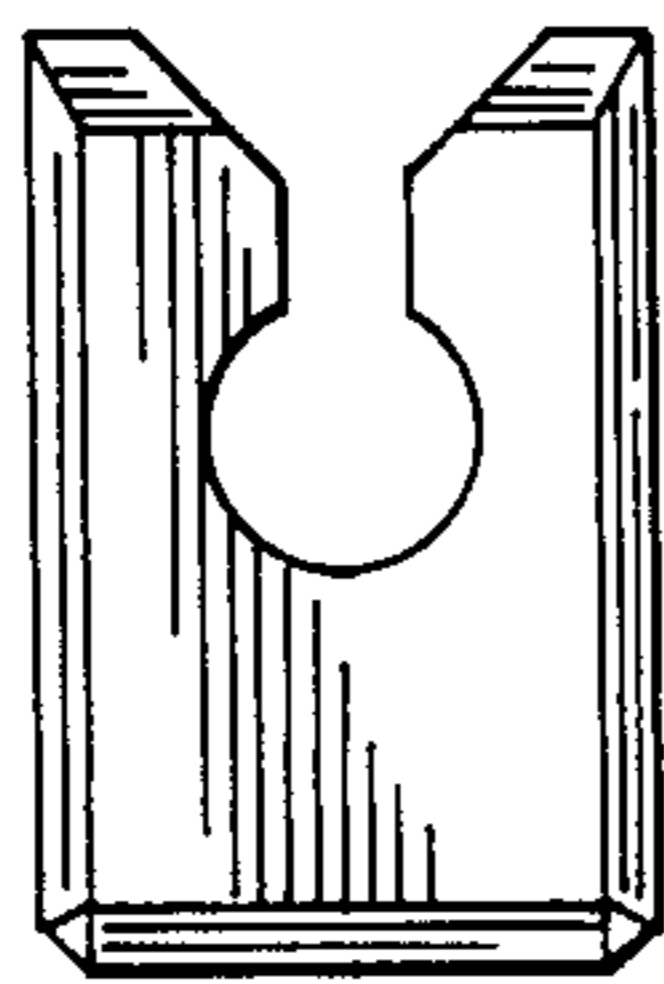


FIG. 4.

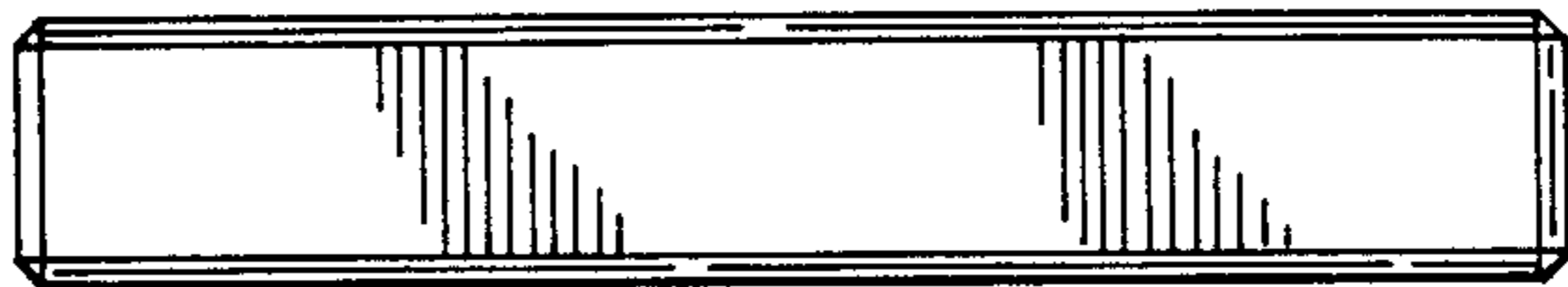


FIG. 5.

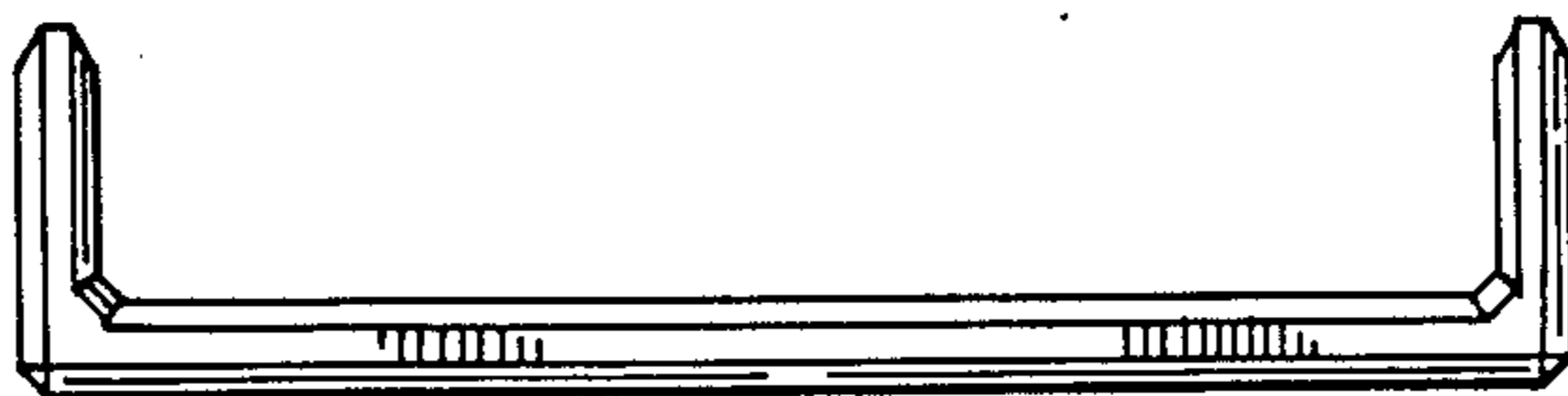


FIG-6-

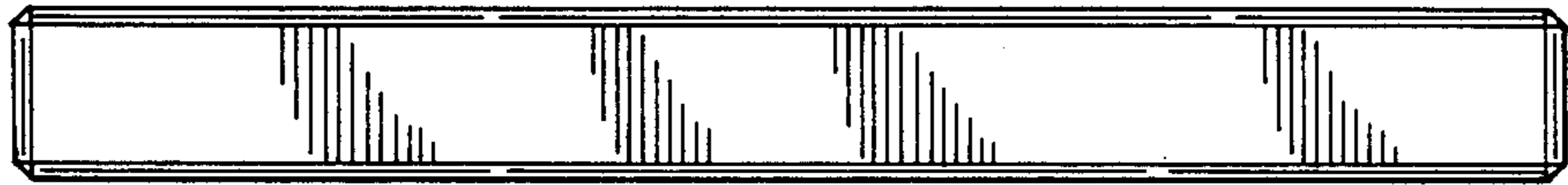


FIG-7-

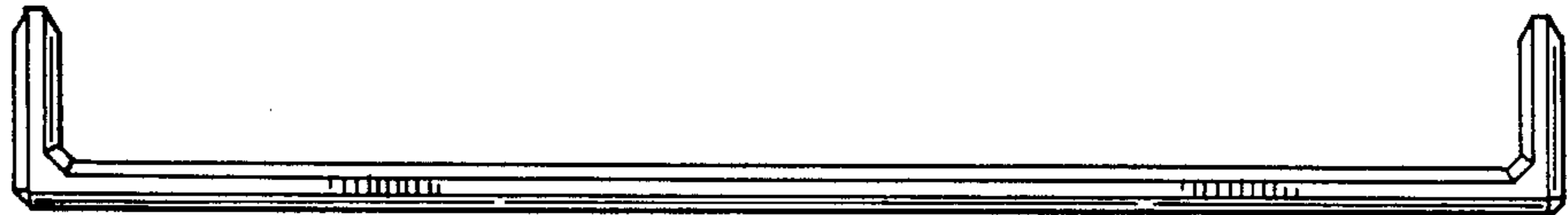


FIG-8-



FIG-9-

