

[54] ELECTRONIC NERVE STIMULATOR UNIT

4,580,570 4/1986 Sarrell et al. .... 128/421  
4,682,601 7/1987 Tagliauini ..... 128/422

[75] Inventor: George Bell, Long Beach, Calif.

[73] Assignee: Amrex-Zetron, Inc., Hawthorne,  
Calif.

[\*\*] Term: 14 Years

[21] Appl. No.: 942

[22] Filed: Jan. 5, 1987

[52] U.S. Cl. .... D24/40

[58] Field of Search ..... D24/36, 40;  
128/420-423, 419 E, 419 F, 419 C

[56] References Cited

U.S. PATENT DOCUMENTS

3,727,616 4/1973 Lenzkes ..... 128/422  
3,796,221 3/1974 Hagfors ..... 128/419 C X  
4,174,706 11/1979 Jankelson et al. .... 128/422 X

Primary Examiner—Wallace R. Burke  
Assistant Examiner—Stella M. Reid  
Attorney, Agent, or Firm—Keith D. Beecher

[57] CLAIM

The ornamental design for an electronic nerve stimulator unit, as shown and described.

DESCRIPTION

FIG. 1 is a top, front and side perspective view of an electronic nerve stimulator unit, showing my new design;

FIG. 2 is a rear elevational view thereof with the hand instrument removed;

FIG. 3 is a side elevational view thereof, with the hand instrument attached, the opposite side being identical thereto; and

FIG. 4 is a bottom plan view thereof.

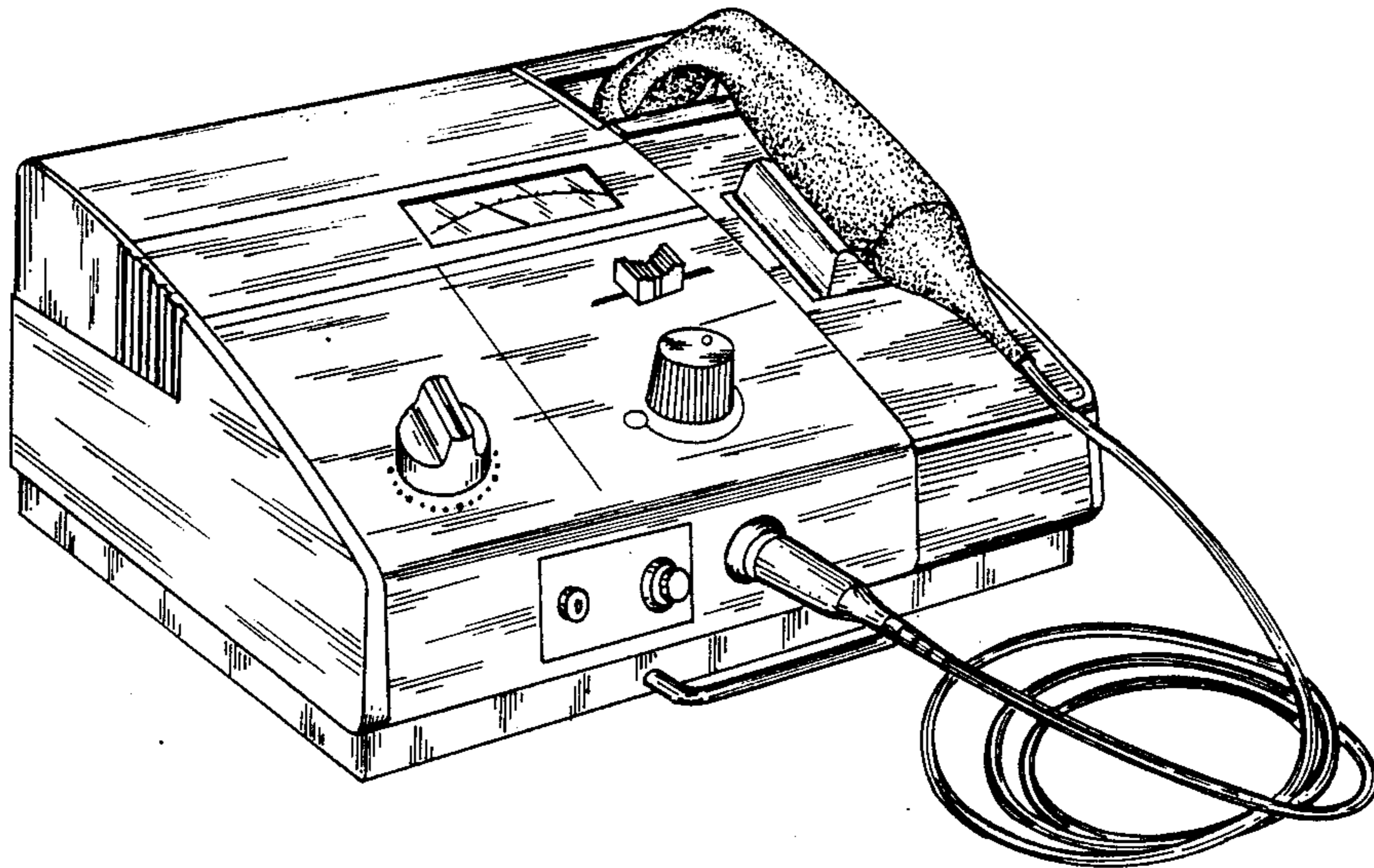


FIG. 1

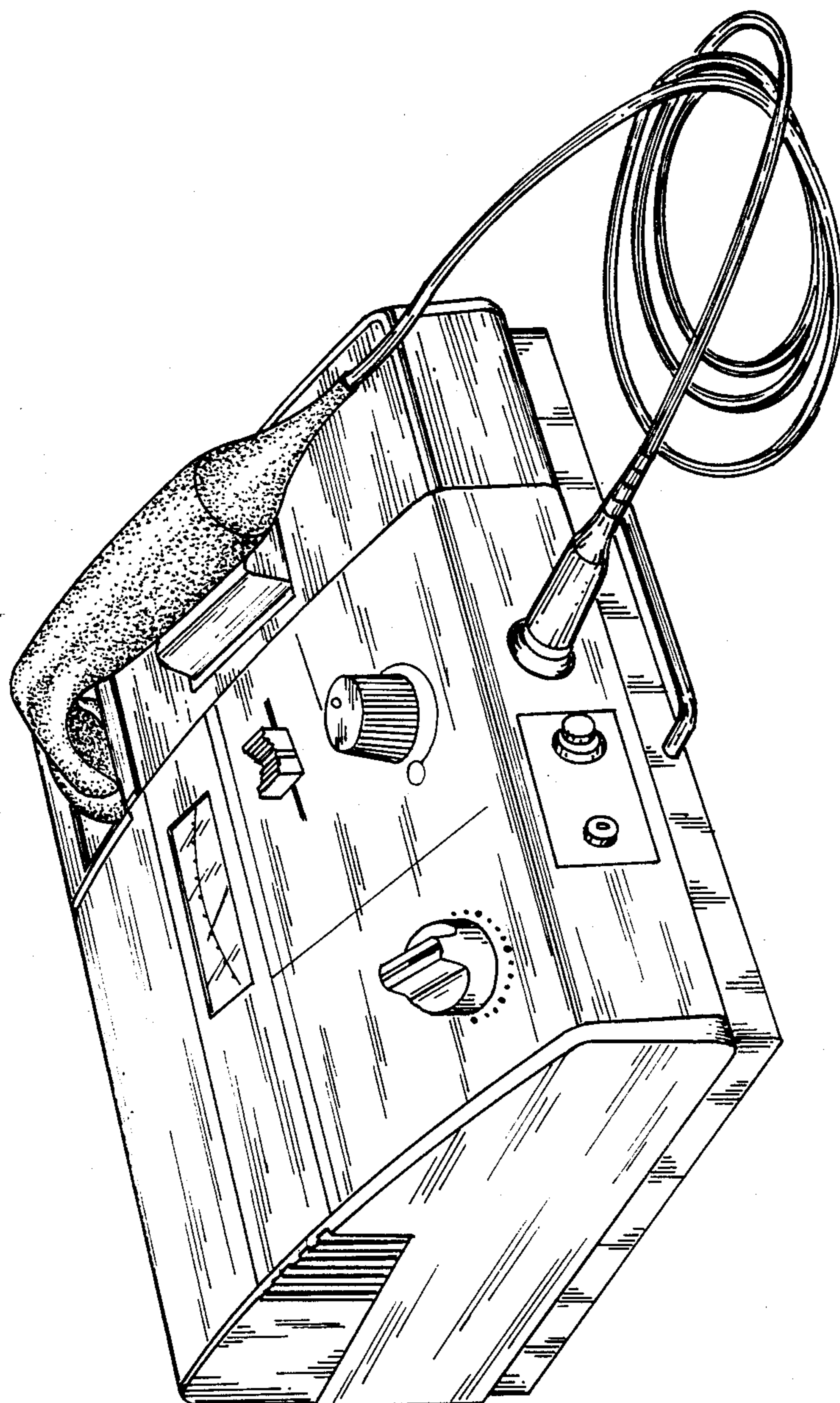


FIG. 3

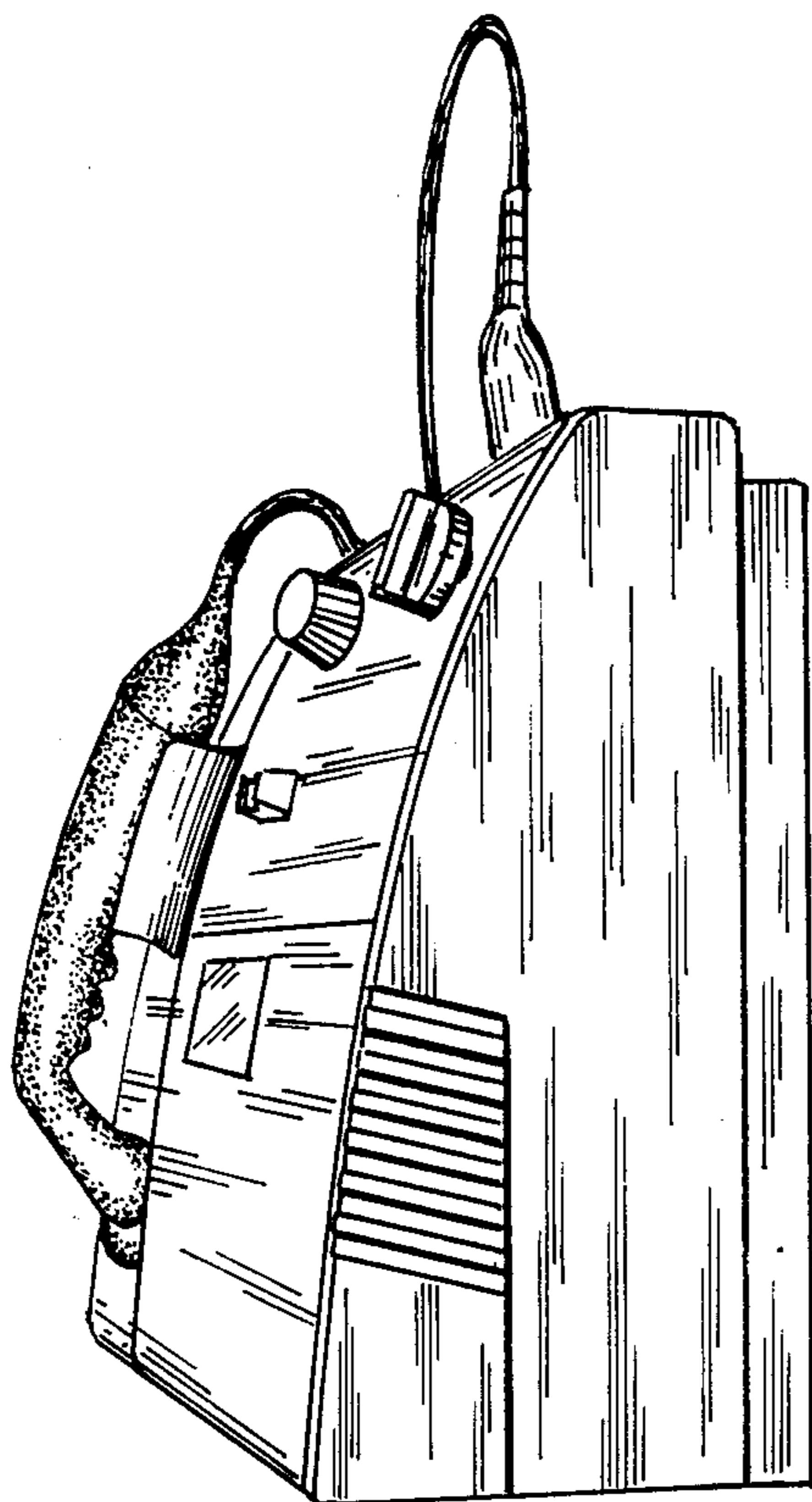


FIG. 2

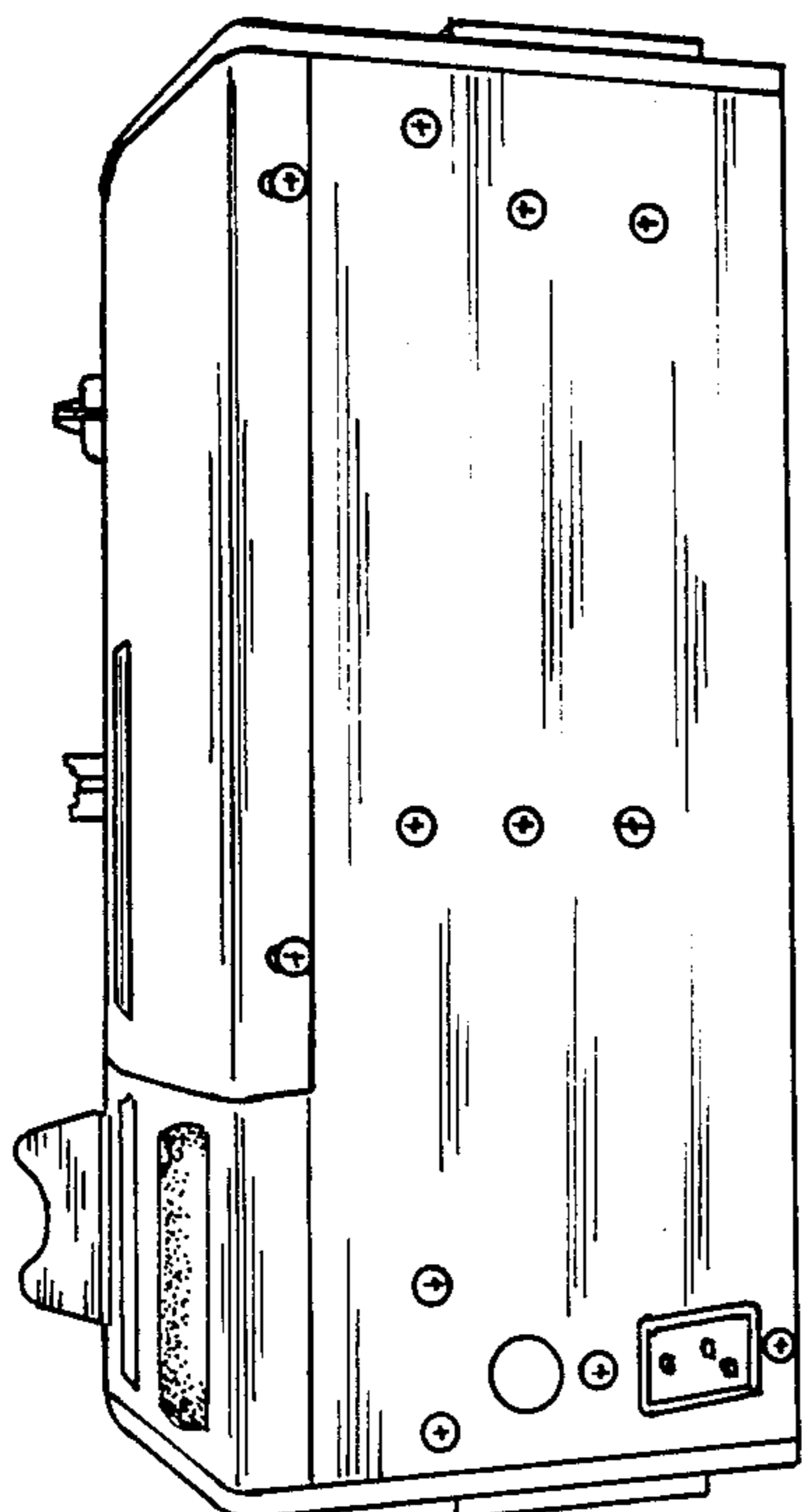


FIG. 4

