

United States Patent [19]

Long et al.

[11] Patent Number: **Des. 302,299**

[45] Date of Patent: **** Jul. 18, 1989**

[54] CUVETTE

[75] Inventors: **Warren M. Long; Maurice N. Karkar,**
both of Costa Mesa; **Bruce A. Tunberg,** Pomona, all of Calif.

[73] Assignee: **Baxter Travenol Laboratories, Inc.,**
Deerfield, Ill.

[**] Term: **14 Years**

[21] Appl. No.: **948,284**

[22] Filed: **Dec. 31, 1986**

[52] U.S. Cl. **D24/29; D24/22**

[58] Field of Search **D24/29, 8, 22; 356/246,**
356/39-41, 410, 411; 422/64, 65, 67, 104

[56] **References Cited**

U.S. PATENT DOCUMENTS

D. 263,876 4/1982 Beidler et al. D24/29
D. 278,182 3/1985 Aihara et al. D24/29

D. 278,653 4/1985 Savitz et al. D24/22
4,332,471 6/1982 Gross 356/246
4,387,992 6/1983 Swartz 356/246
4,444,498 4/1984 Heinemann 356/246

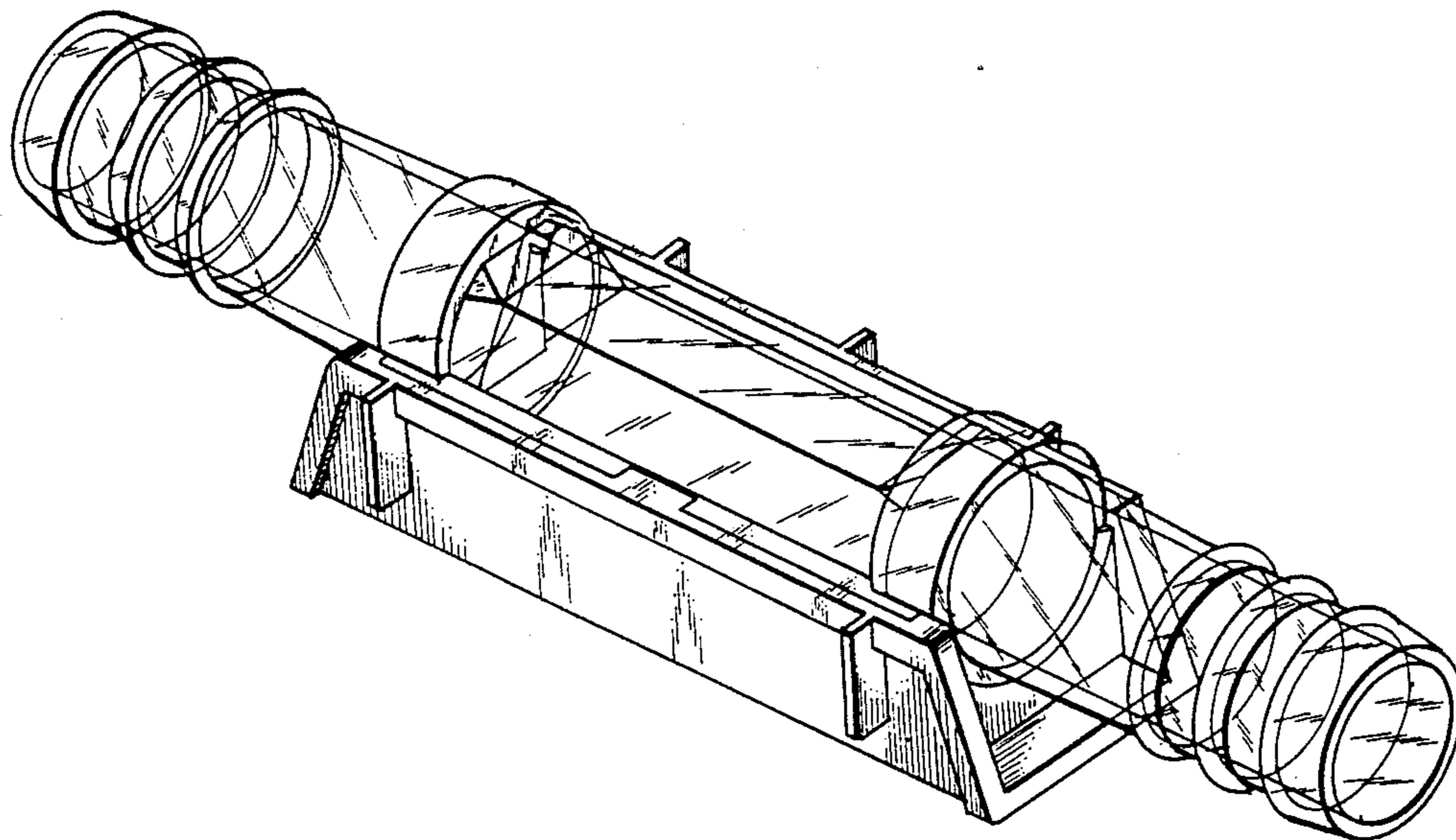
Primary Examiner—Wallace R. Burke
Assistant Examiner—Stella M. Reid
Attorney, Agent, or Firm—Gordon L. Peterson

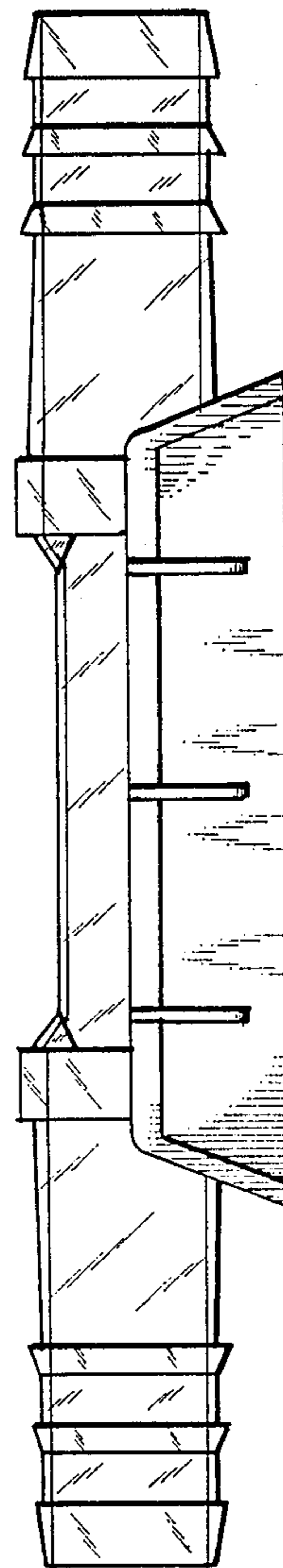
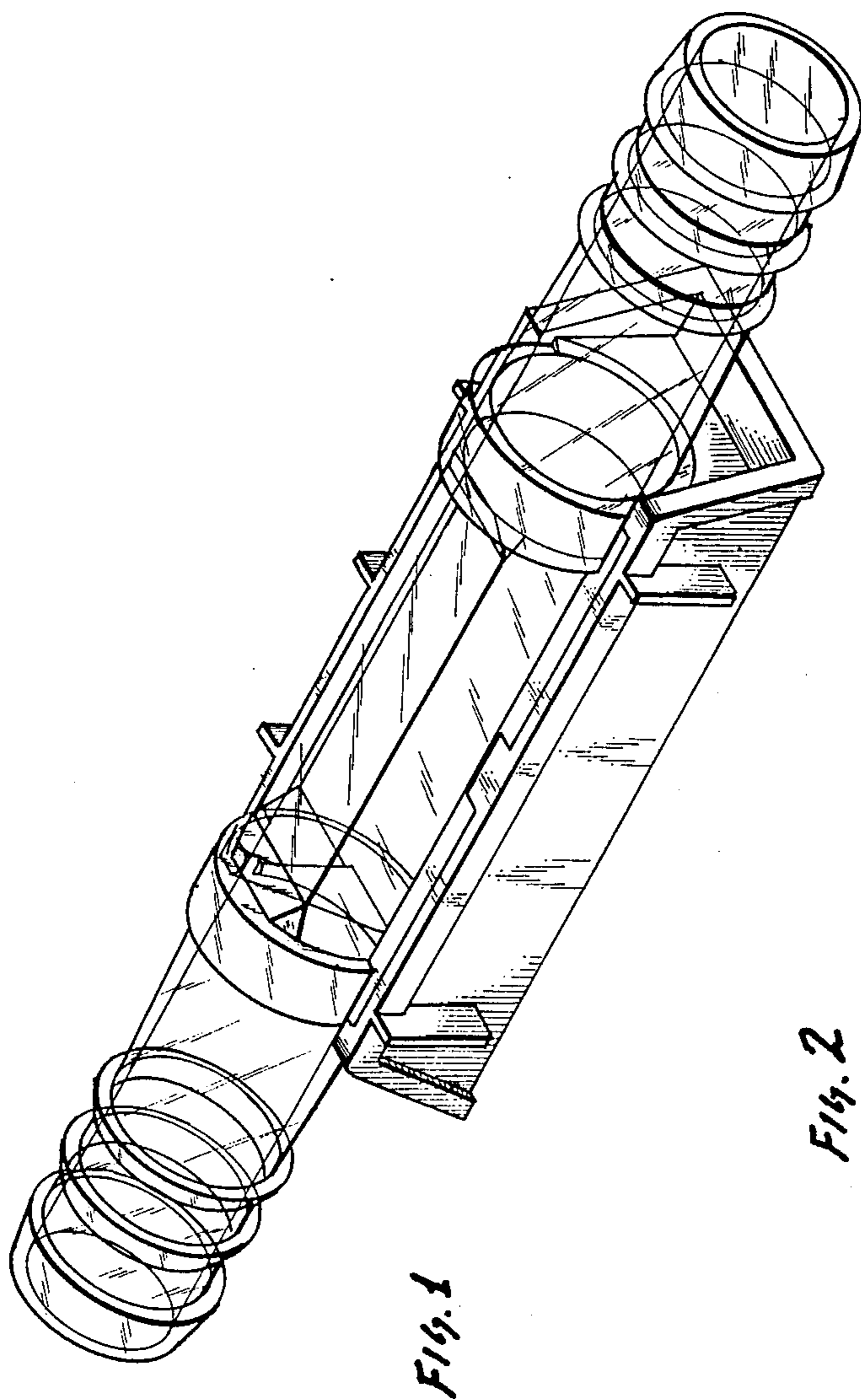
[57] **CLAIM**

The ornamental design for a cuvette, as shown.

DESCRIPTION

FIG. 1 is a perspective view of a cuvette, showing our new design;
FIG. 2 is a side elevational view thereof, opposite that shown in FIG. 1;
FIG. 3 is a top plan view thereof;
FIG. 4 is a bottom plan view thereof; and
FIG. 5 is an end elevational view thereof, taken from the left end of FIG. 1.





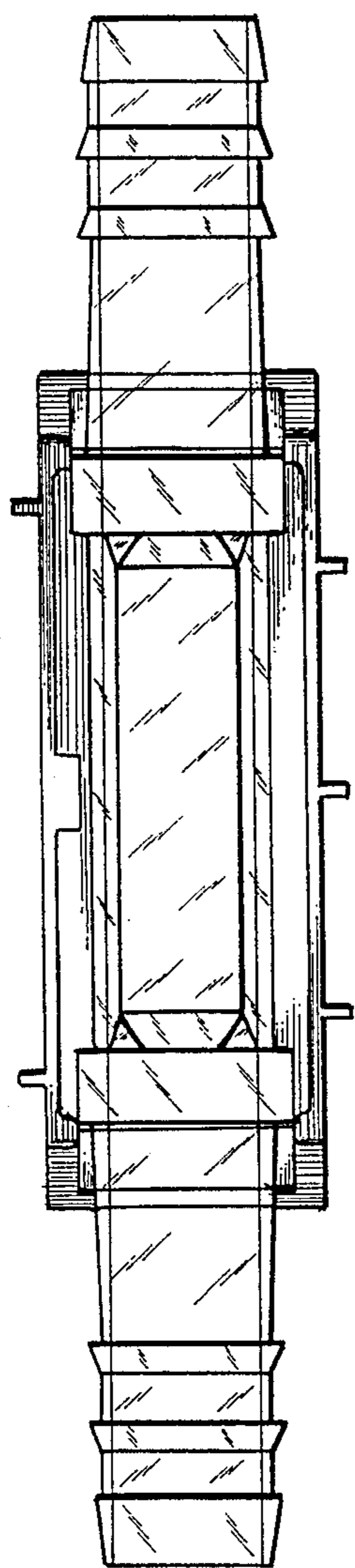


Fig. 3

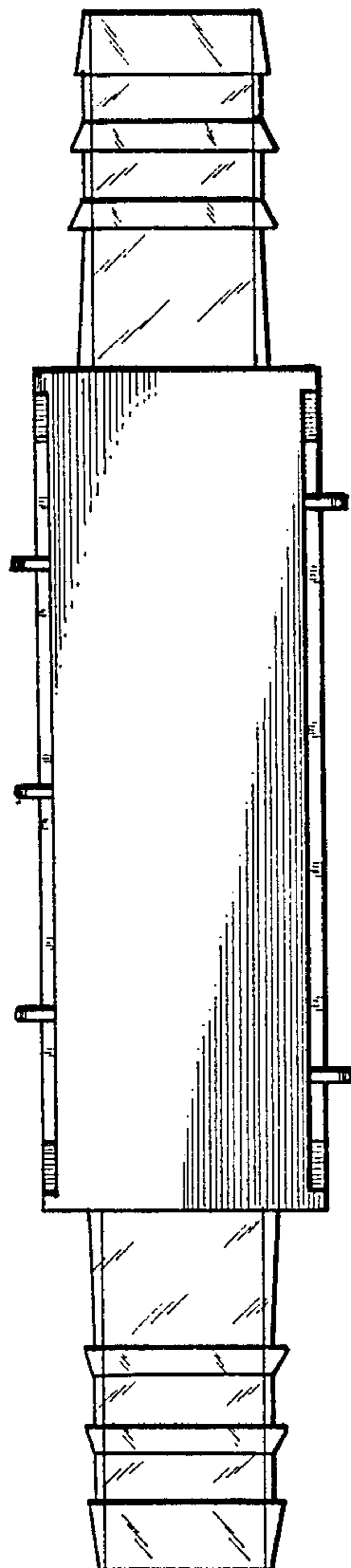


Fig. 4

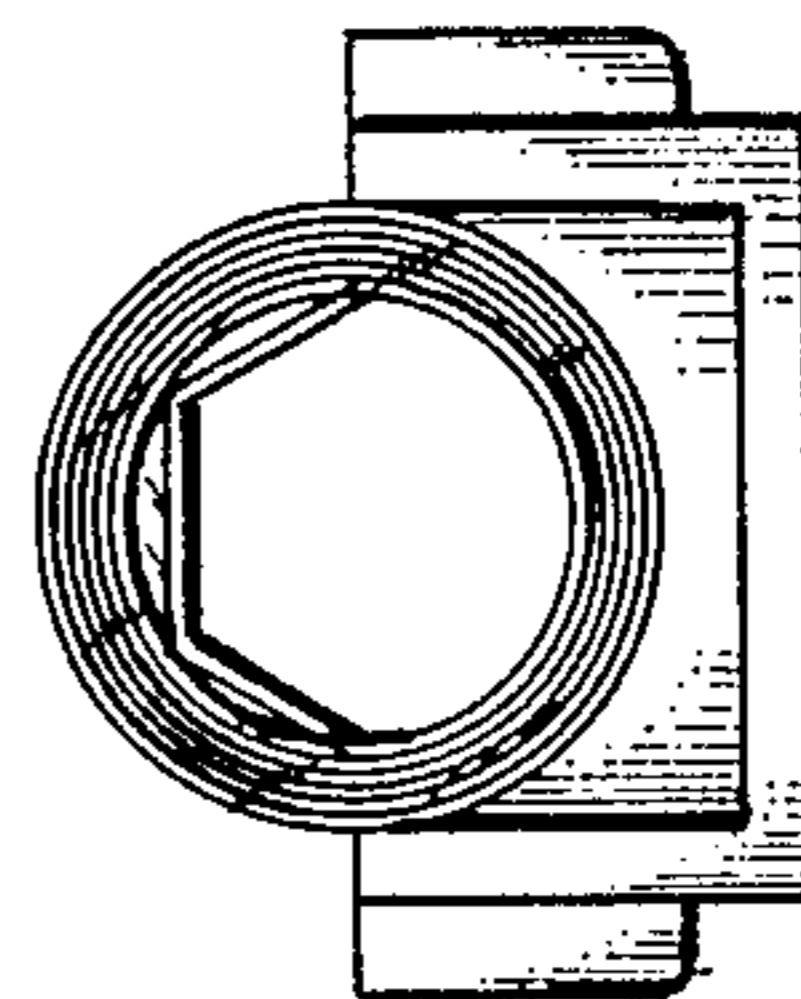


Fig. 5