

[54] **NEEDLE GUARD**
 [75] **Inventor: Daniel C. Harmony, Tucson, Ariz.**
 [73] **Assignee: Engineering & Research Associates, Inc., Tucson, Ariz.**
 [**] **Term: 14 Years**
 [21] **Appl. No.: 924,499**
 [22] **Filed: Oct. 30, 1986**
 [52] **U.S. Cl. D24/25**
 [58] **Field of Search D24/25; 604/192, 197-199, 604/187, 263; 206/366**

4,375,849 3/1983 Hanifl 206/366
 4,380,292 4/1983 Cramer 206/366
 4,410,086 10/1983 Simpson 206/366
 4,452,358 6/1984 Simpson 206/366
 4,454,944 6/1984 Shillington et al. 206/366
 4,466,538 8/1984 Gianni 206/366
 4,485,918 12/1984 Mayer 206/366
 4,488,643 12/1984 Pepper 206/366
 4,576,281 3/1986 Kirksey 206/370
 4,654,034 3/1987 Masters et al. 604/192

FOREIGN PATENT DOCUMENTS

2227428 4/1980 Fed. Rep. of Germany 206/366

Primary Examiner—Wallace R. Burke
Assistant Examiner—Stella M. Reid
Attorney, Agent, or Firm—Cahill, Sutton & Thomas

[56] **References Cited**
U.S. PATENT DOCUMENTS

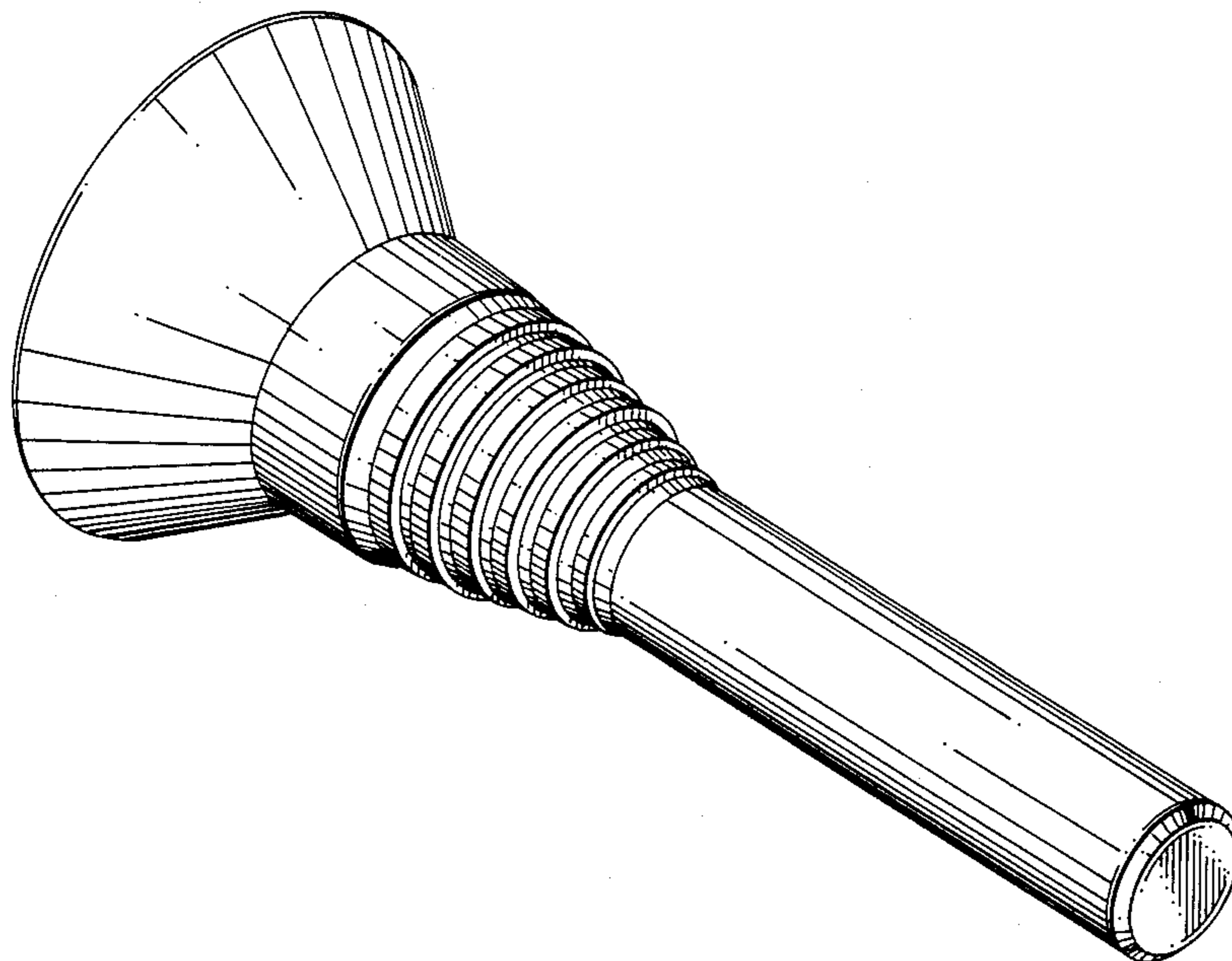
D, 284,030 5/1986 McFarlane D24/25
 3,052,241 9/1962 Myerson et al. 604/192
 3,876,067 4/1975 Schwartz 206/205
 3,893,608 7/1975 Koenig 225/1
 3,989,044 11/1976 Meierhoefer 604/192
 4,168,777 9/1979 Gaskell et al. 206/359
 4,232,784 11/1980 Hesselgren 206/210
 4,249,530 2/1981 Millet 604/192
 4,332,323 6/1982 Reenstierna 206/365
 4,351,434 9/1982 Elisha 206/366

[57] **CLAIM**

The ornamental design for a needle guard, as shown and described.

DESCRIPTION

FIG. 1 is a perspective view from the lower end of a needle guard showing my new design; FIG. 2 is a side elevational view thereof; FIG. 3 is a top plan view thereof; and FIG. 4 is a bottom plan view thereof.



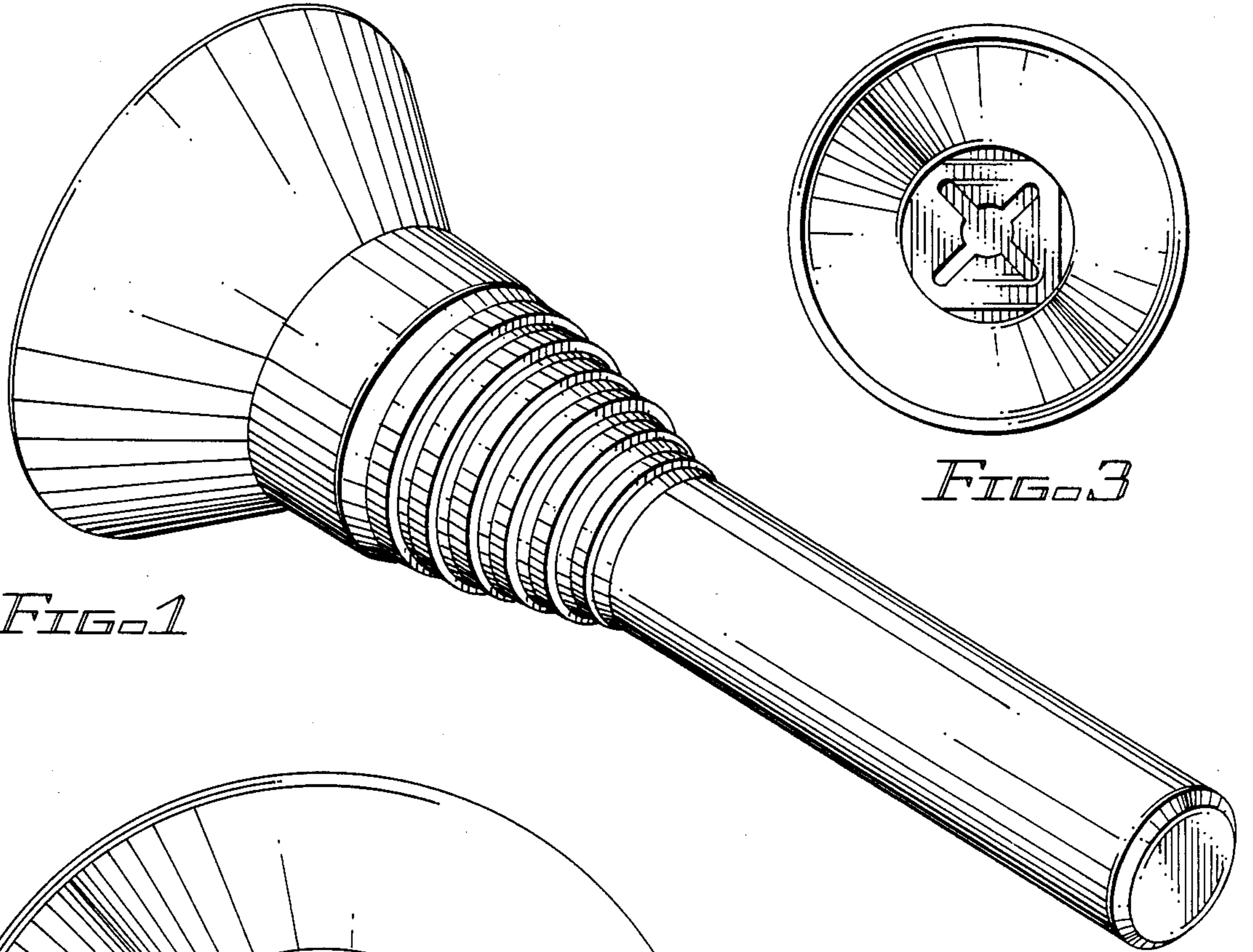


FIG. 1

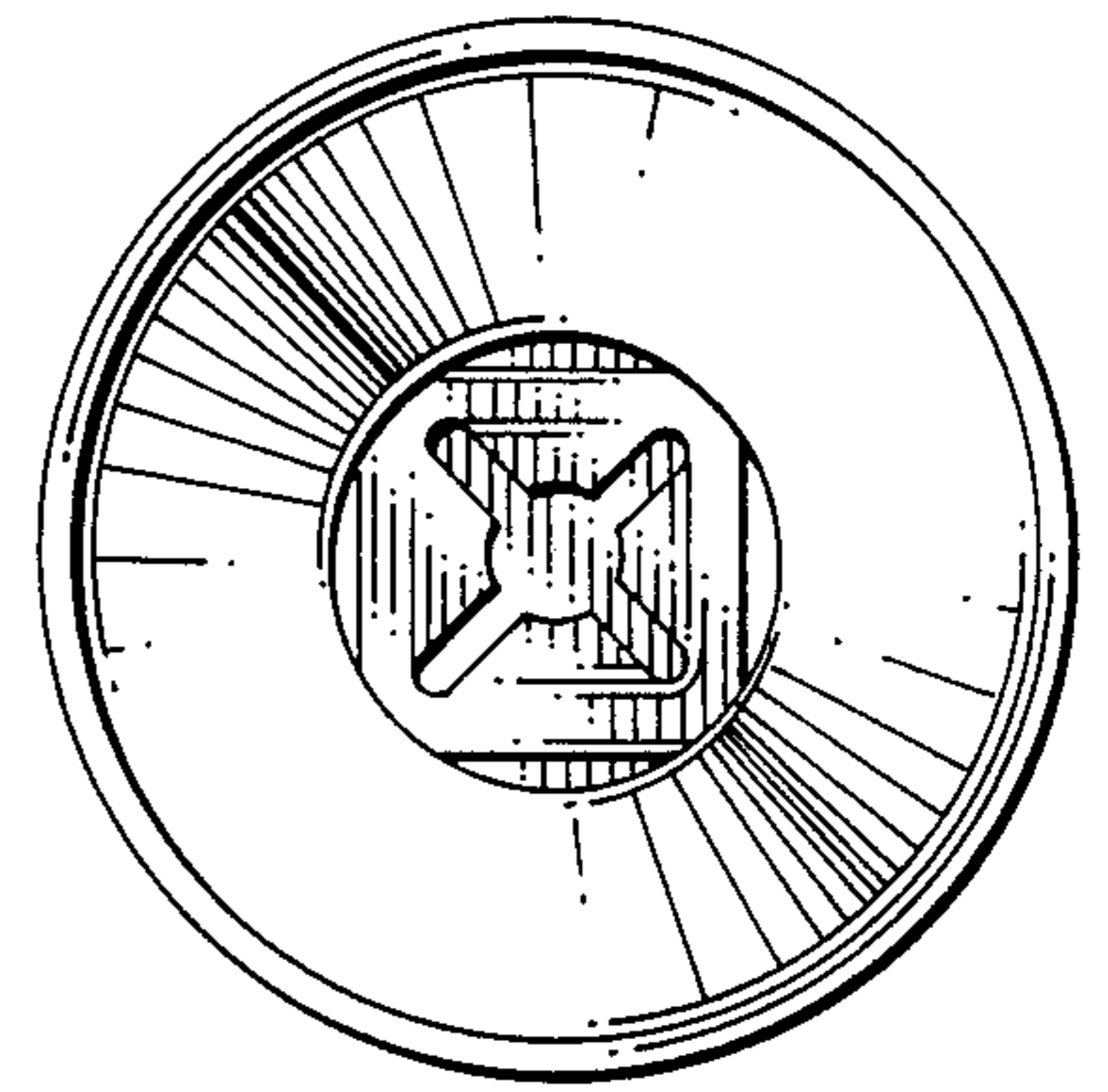


FIG. 3

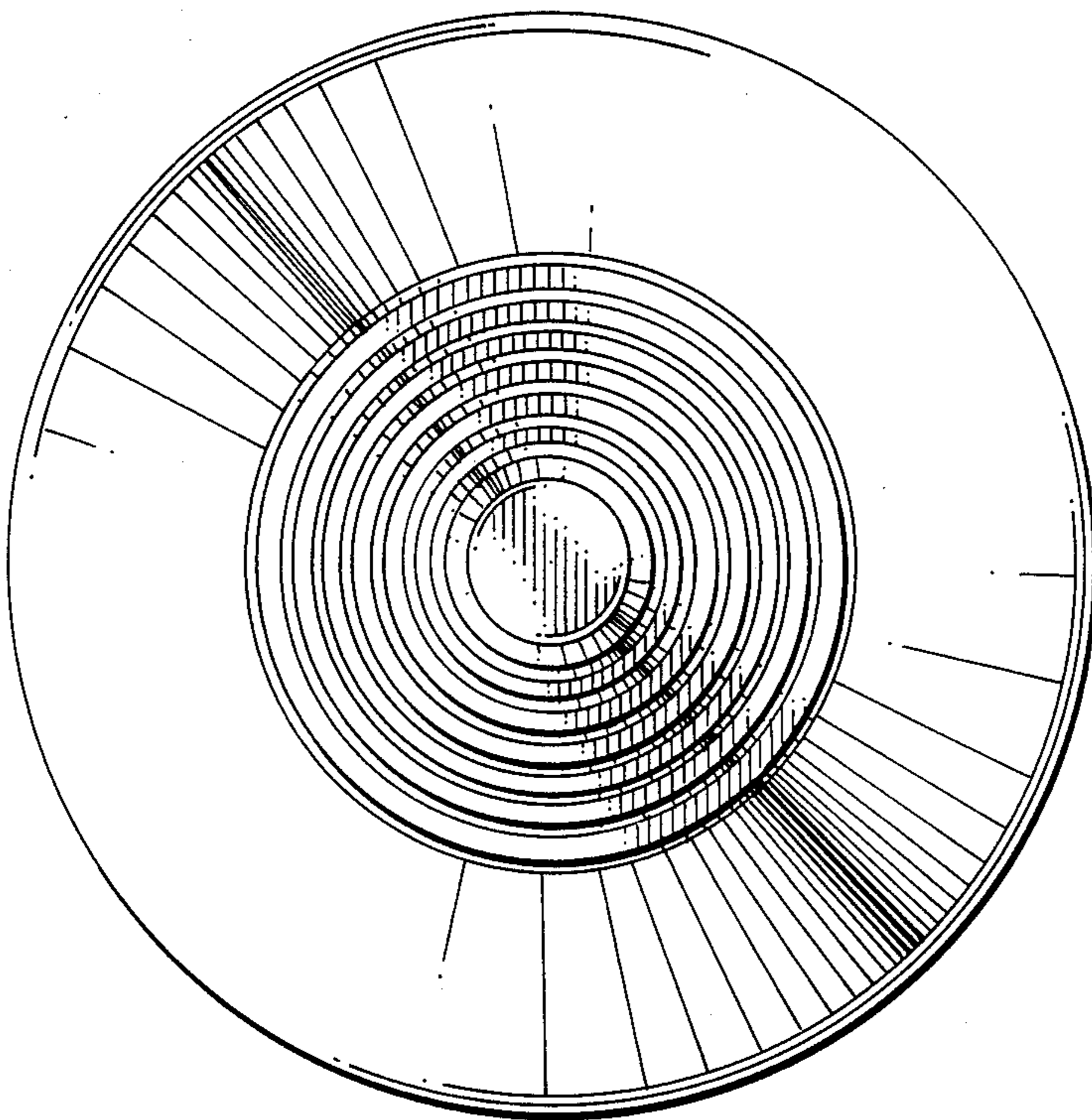


FIG. 4

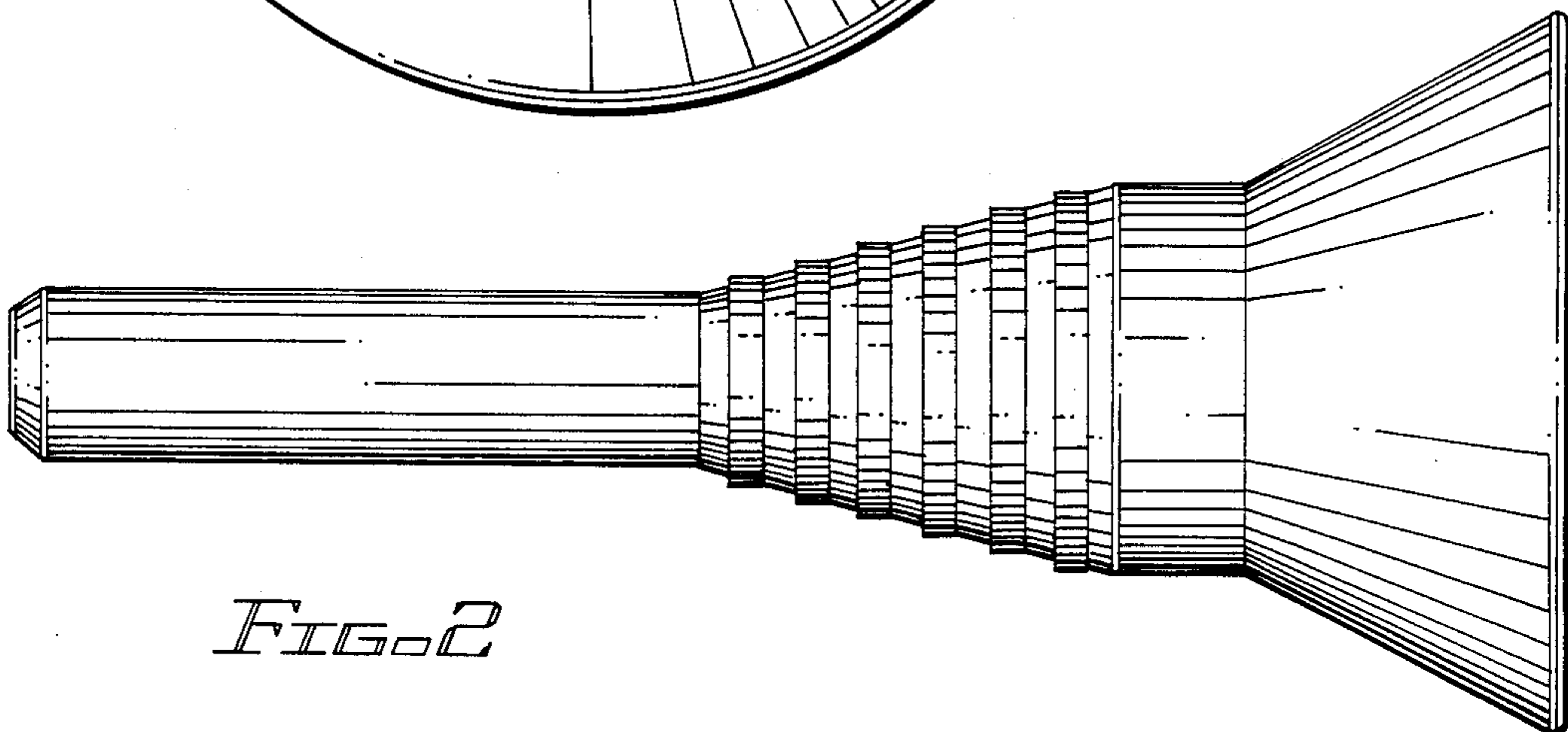


FIG. 2