

[54] REAGENT CARTRIDGE FOR BLOOD ANALYSIS

[75] Inventor: Robert S. Hillman, Cupertino, Calif.

[73] Assignee: Biotrack, Inc., Mountain View, Calif.

[**] Term: 14 Years

[21] Appl. No.: 915,329

[22] Filed: Oct. 3, 1986

[52] U.S. Cl. D24/21

[58] Field of Search D24/17, 21, 8; 422/50, 422/55, 57, 58, 61, 68, 72, 73, 102; 436/528, 511, 805, 807, 826

[56] References Cited

U.S. PATENT DOCUMENTS

D. 254,687	4/1980	Fadler et al.	D24/21 X
3,074,853	1/1963	Brewer	436/511
3,726,645	4/1973	Kaczmarek	422/57
3,891,507	6/1975	Bruer	422/58 X
3,990,850	11/1976	Friedman et al.	422/55 X
4,673,657	6/1987	Christian	422/58 X

Primary Examiner—Wallace R. Burke

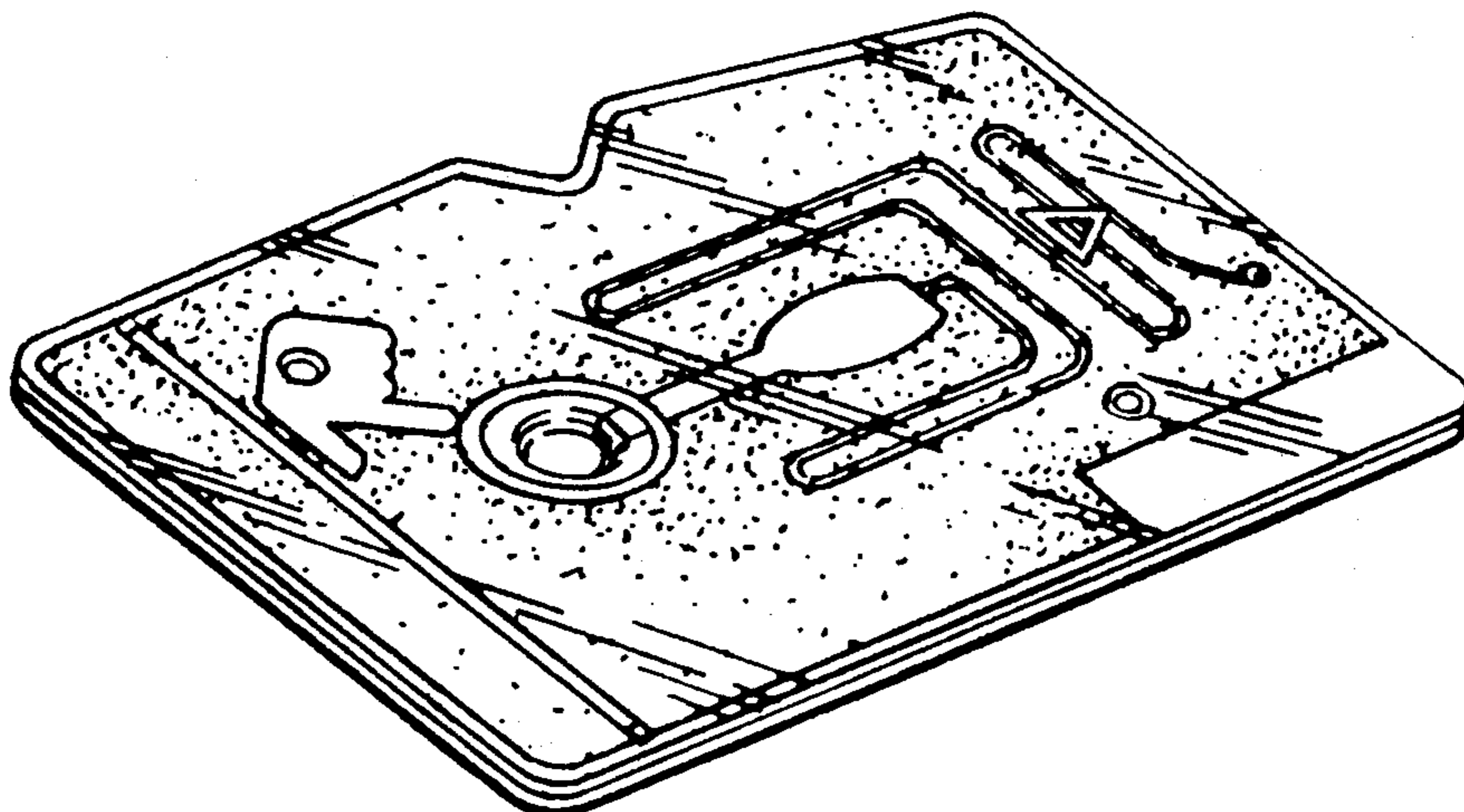
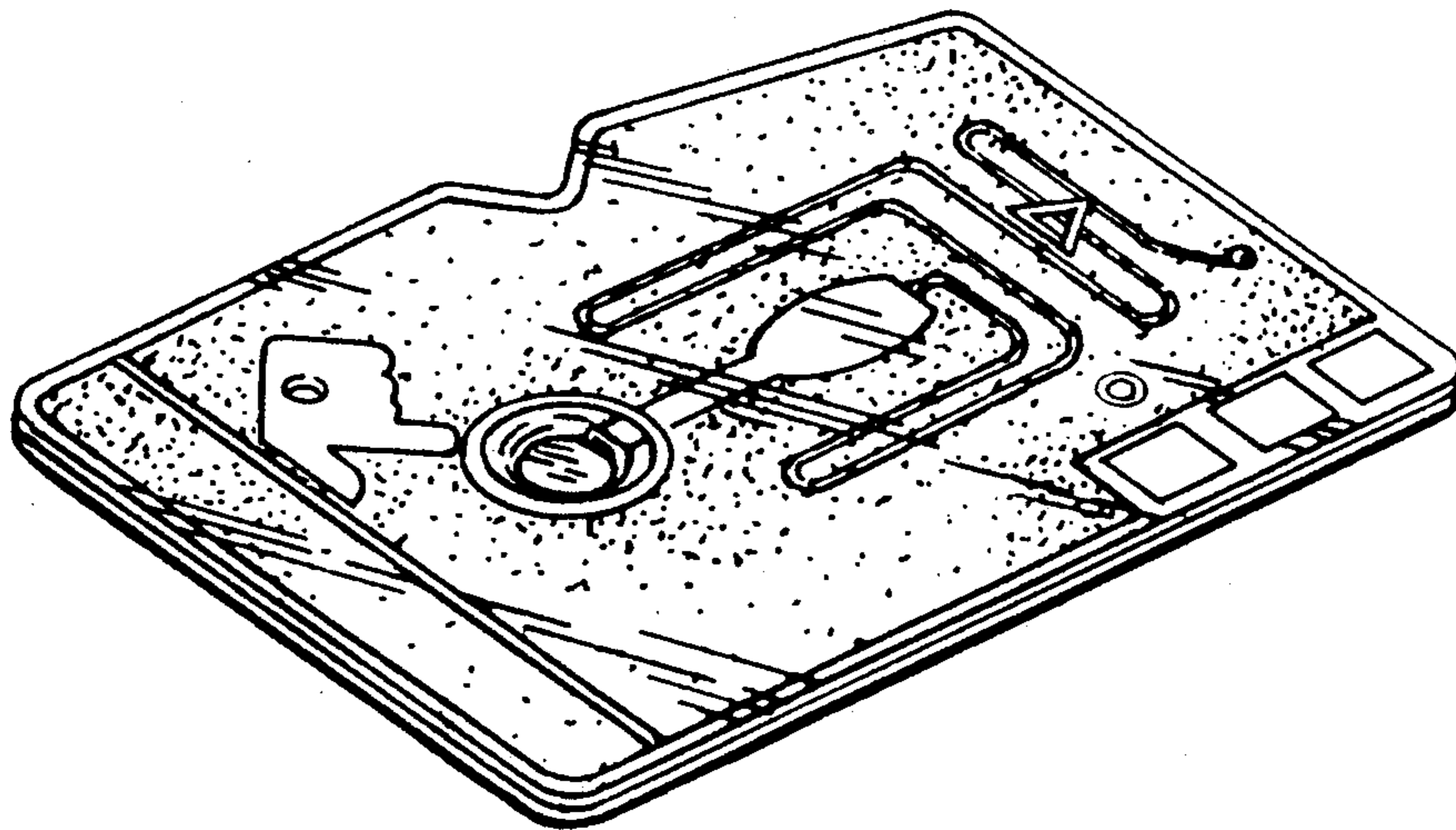
Assistant Examiner—Stella M. Reid
Attorney, Agent, or Firm—Richard L. Neeley

[57] CLAIM

The ornamental design for a reagent cartridge for blood analysis, as shown.

DESCRIPTION

FIG. 1 is a perspective view of a reagent cartridge for blood analysis, showing my new design;
FIG. 2 is a top plan view thereof;
FIG. 3 is a front elevational view thereof;
FIG. 4 is a back elevational view thereof;
FIG. 5 is a bottom plan view thereof;
FIG. 6 is an end elevational view thereof, the opposite end being identical thereto;
FIG. 7 is a perspective view of a second embodiment of FIG. 1;
FIG. 8 is a top plan view thereof;
FIG. 9 is a front elevational view thereof;
FIG. 10 is a back elevational view thereof;
FIG. 11 is a bottom plan view thereof; and
FIG. 12 is an end elevational view thereof, the opposite end being identical thereto.



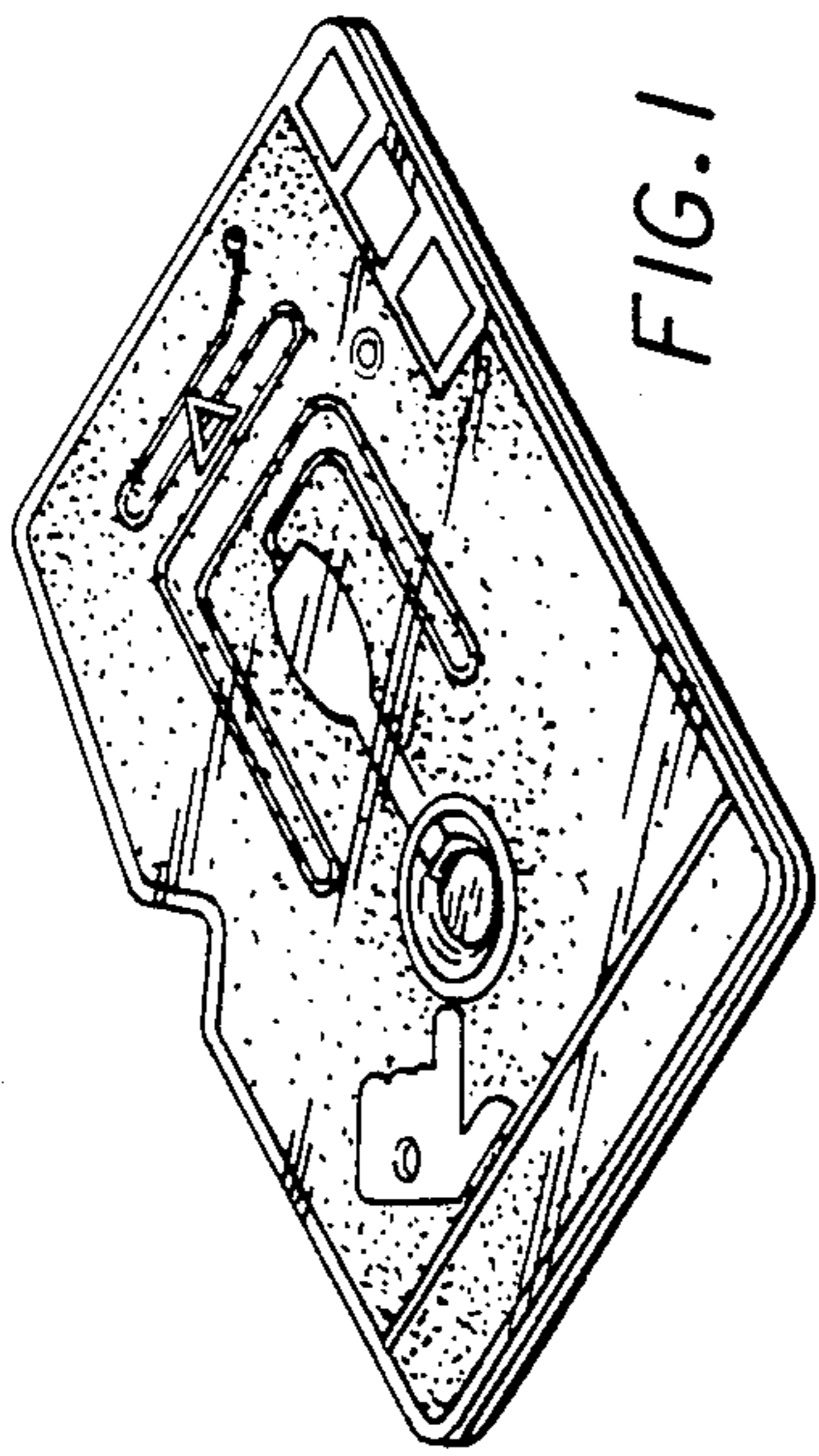


FIG. 1

FIG. 4

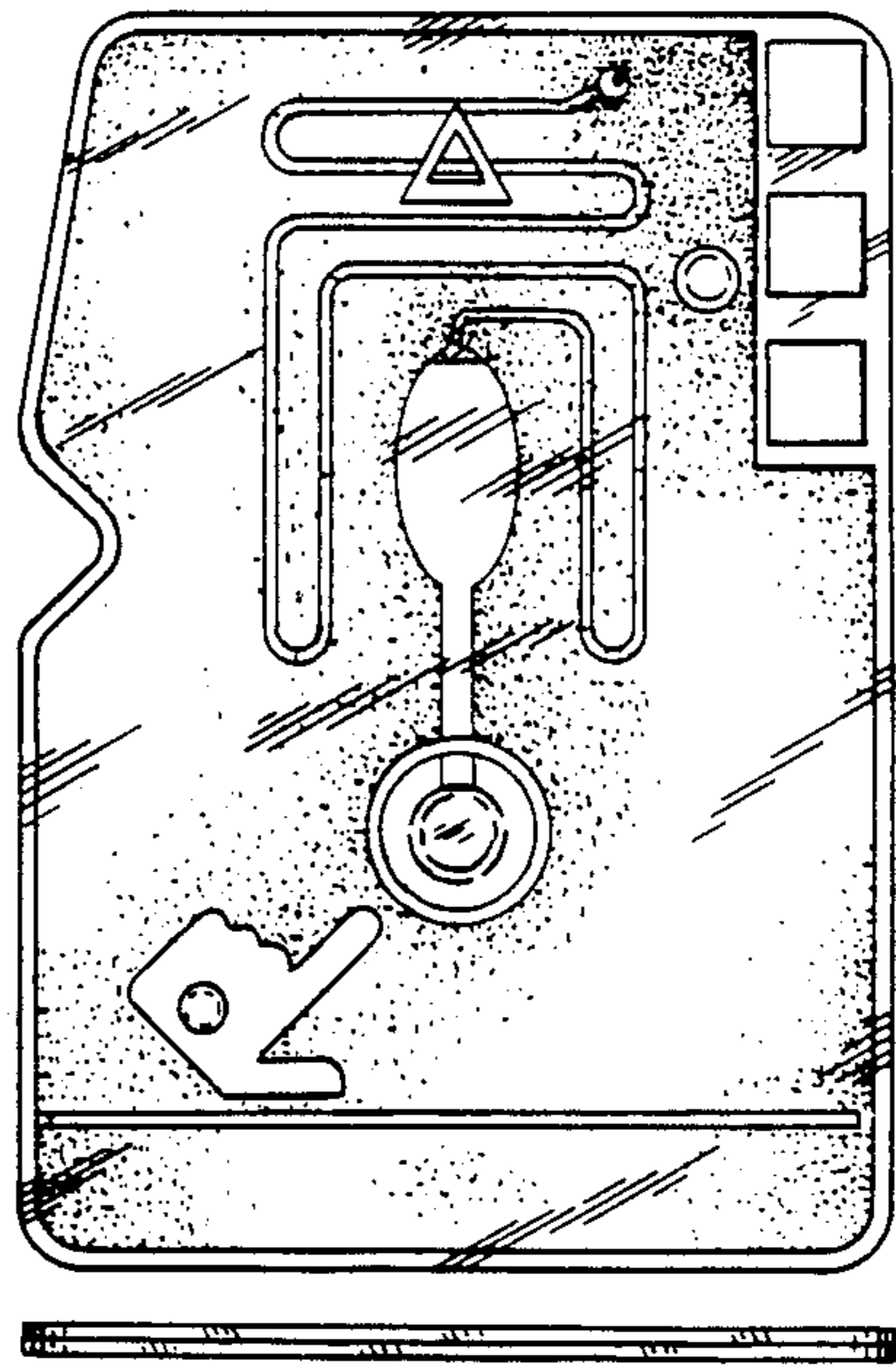


FIG. 2

FIG. 3



FIG. 6

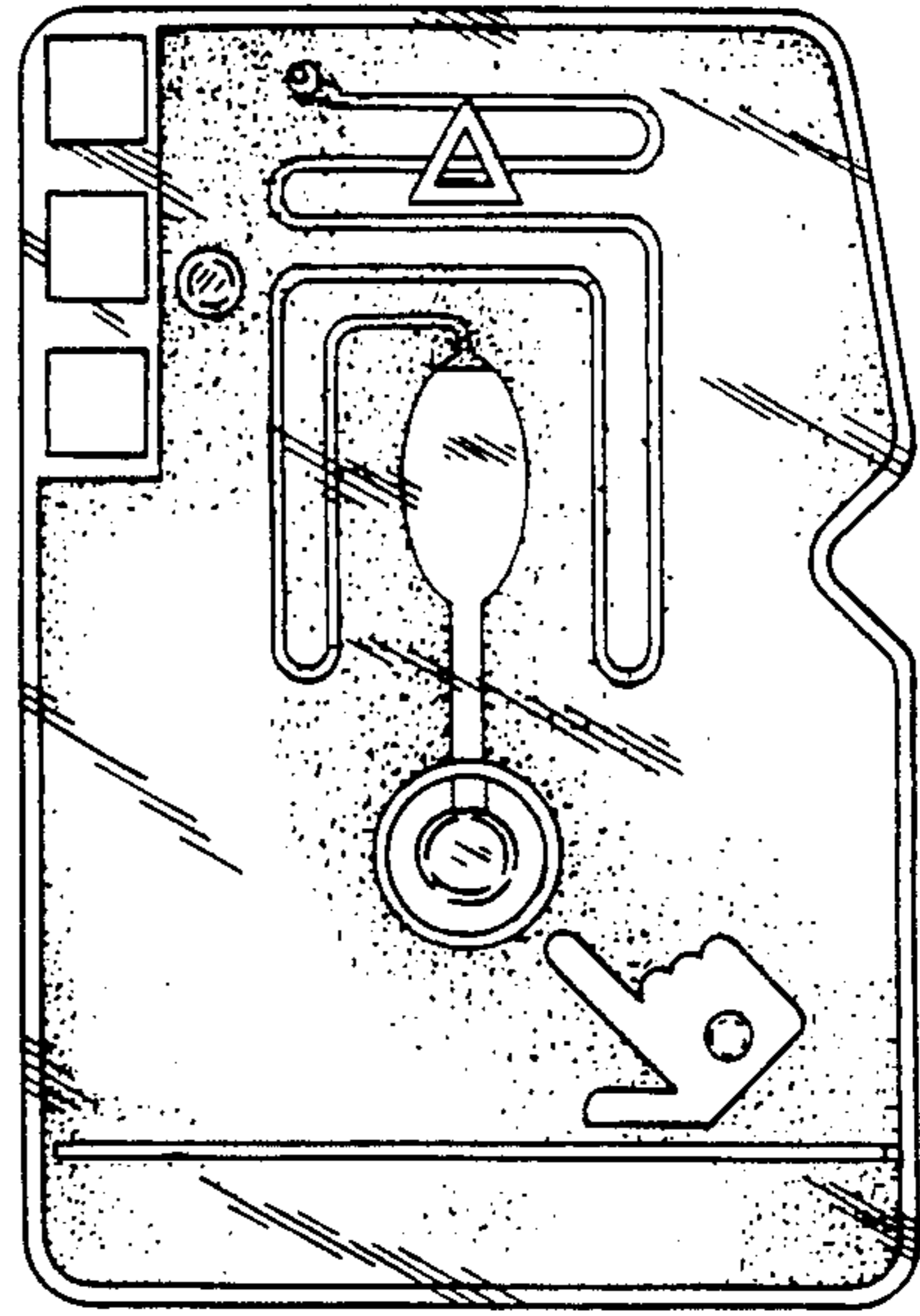


FIG. 5

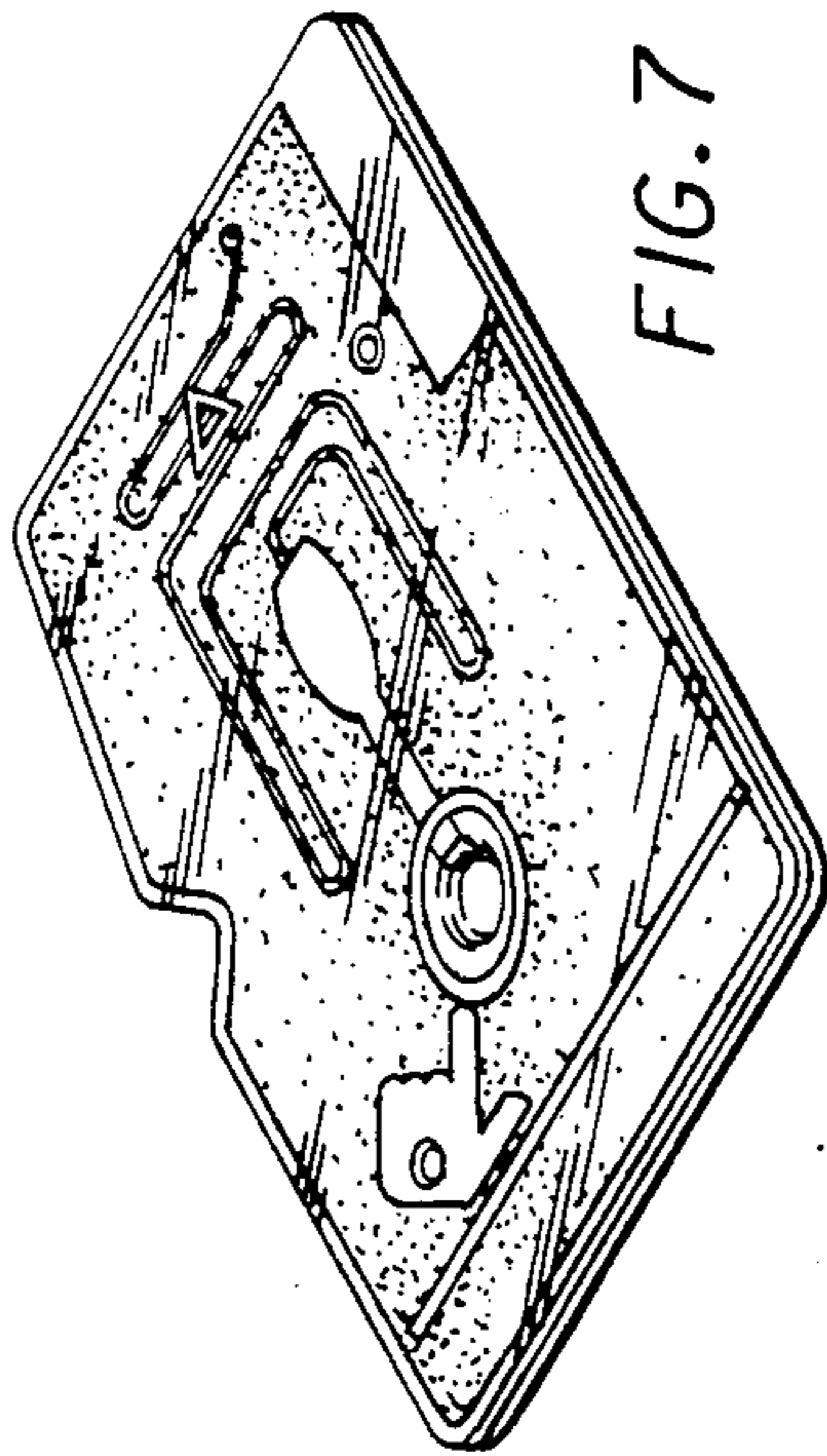


FIG. 7

FIG. 10

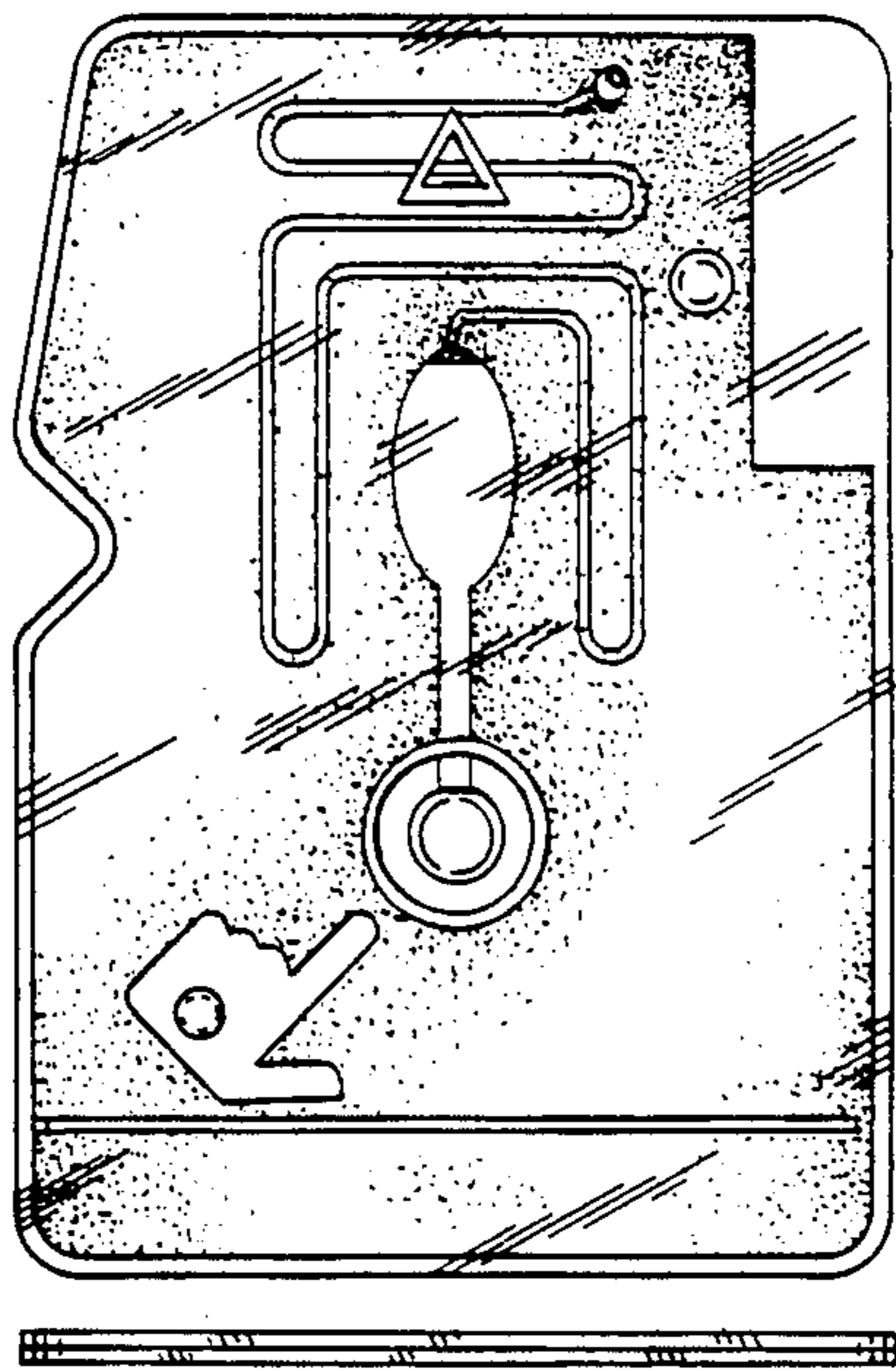


FIG. 8

FIG. 9

FIG. 12

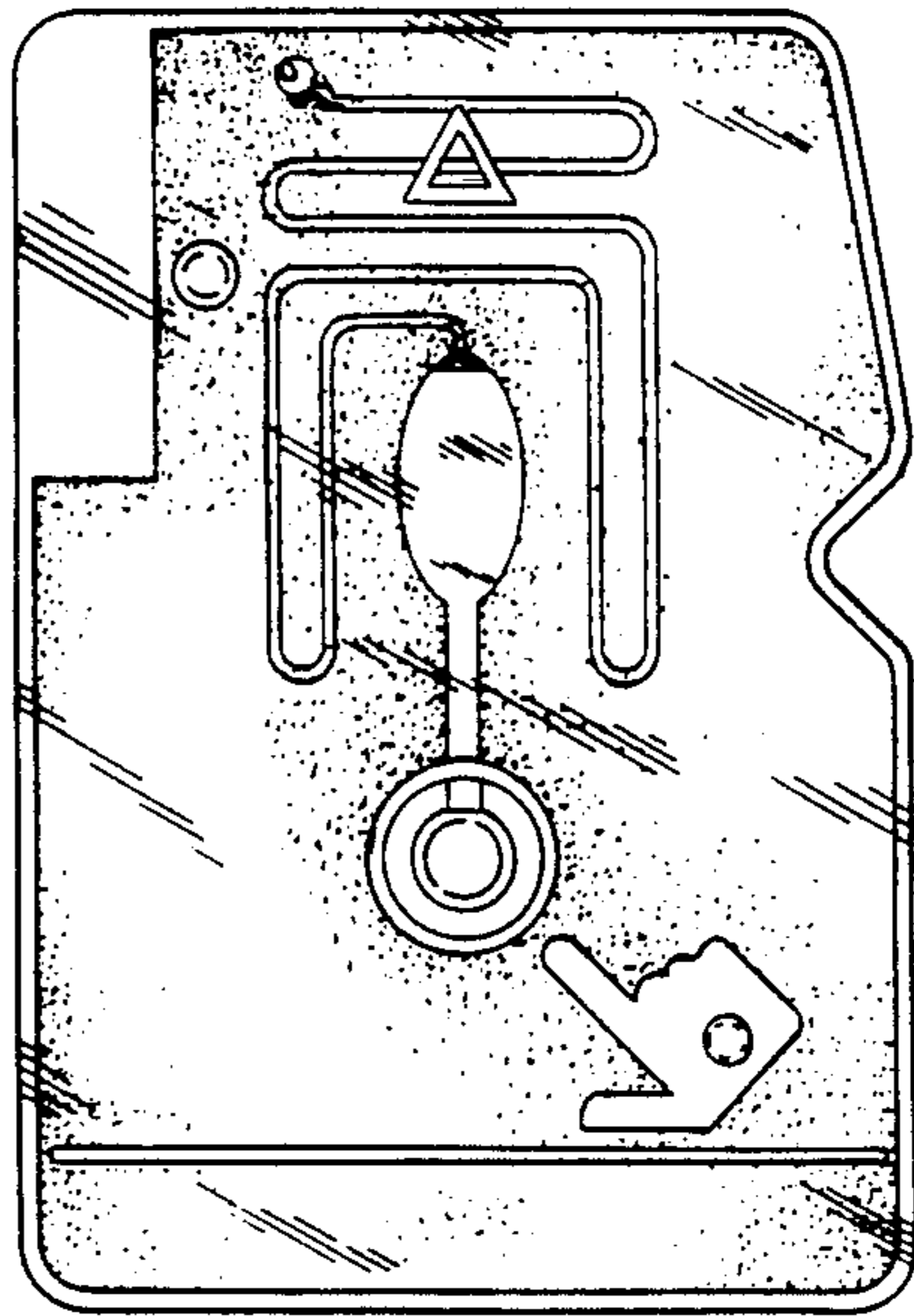


FIG. 11