

[54] DENTAL ROTARY SAW

[75] Inventor: Bernard Weissman, New York, N.Y.

[73] Assignee: IPCO Corporation, White Plains, N.Y.

[**] Term: 14 Years

[21] Appl. No.: 14,650

[22] Filed: Feb. 13, 1987

[52] U.S. Cl. D24/10; D24/4; D15/133

[58] Field of Search D24/4-5, D24/10, 12, 16; D8/61, 64; 433/25, 49-51; D15/133

[56] References Cited

U.S. PATENT DOCUMENTS

1,617,523	2/1927	Irish	433/51
2,414,056	1/1947	Nieman	433/51
4,385,539	5/1983	Meyerhaefer et al.	D15/133 X

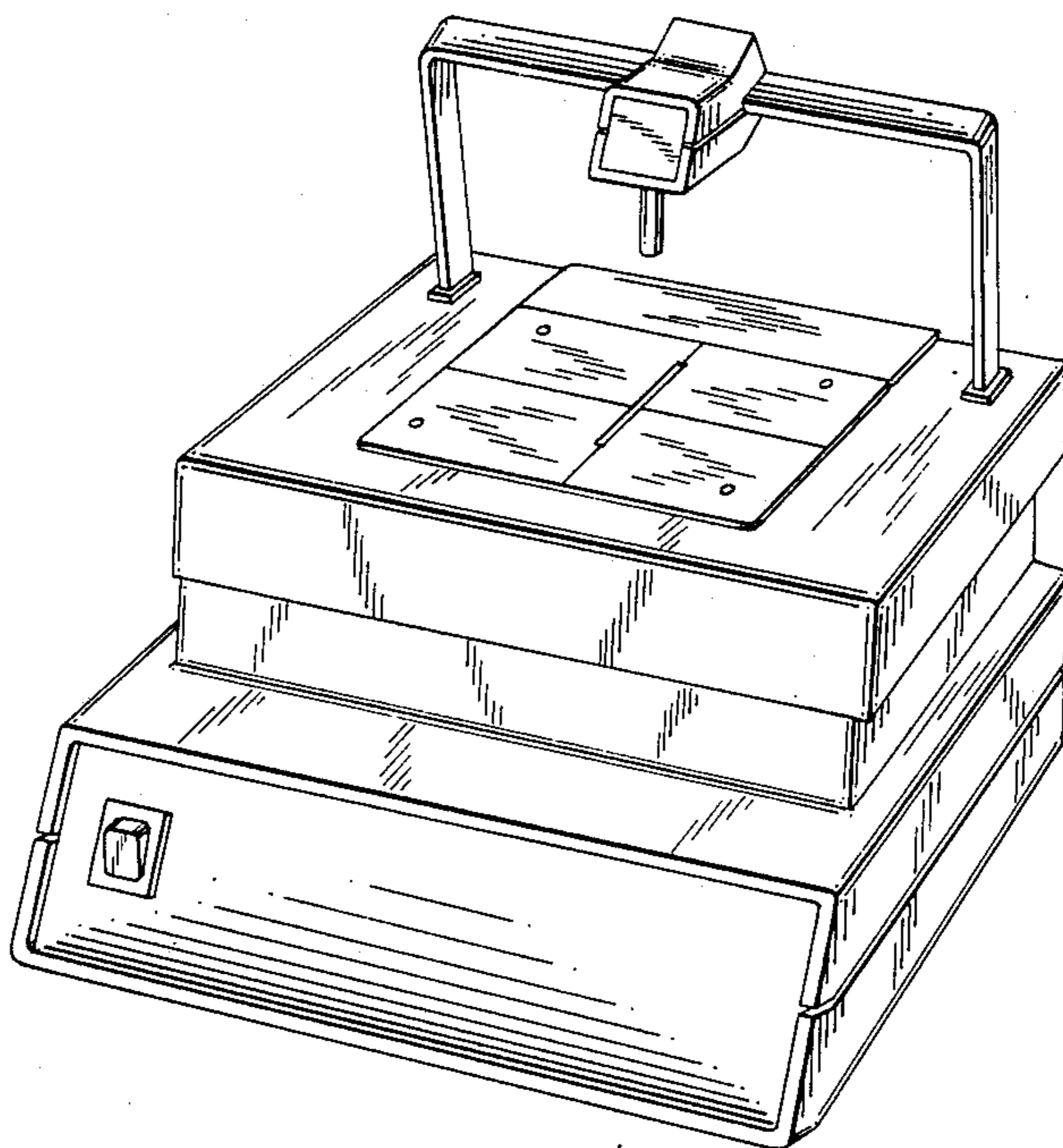
Primary Examiner—Wallace R. Burke
Assistant Examiner—Brian N. Vinson
Attorney, Agent, or Firm—Helfgott & Karas

[57] CLAIM

The ornamental design for a dental rotary saw, as shown.

DESCRIPTION

FIG. 1 is a top, front and right side perspective view of a dental rotary saw showing my new design;
FIG. 2 is a top plan view thereof;
FIG. 3 is a front elevational view thereof;
FIG. 4 is a rear view thereof;
FIG. 5 is a left side elevational view thereof; and
FIG. 6 is a bottom plan view thereof.



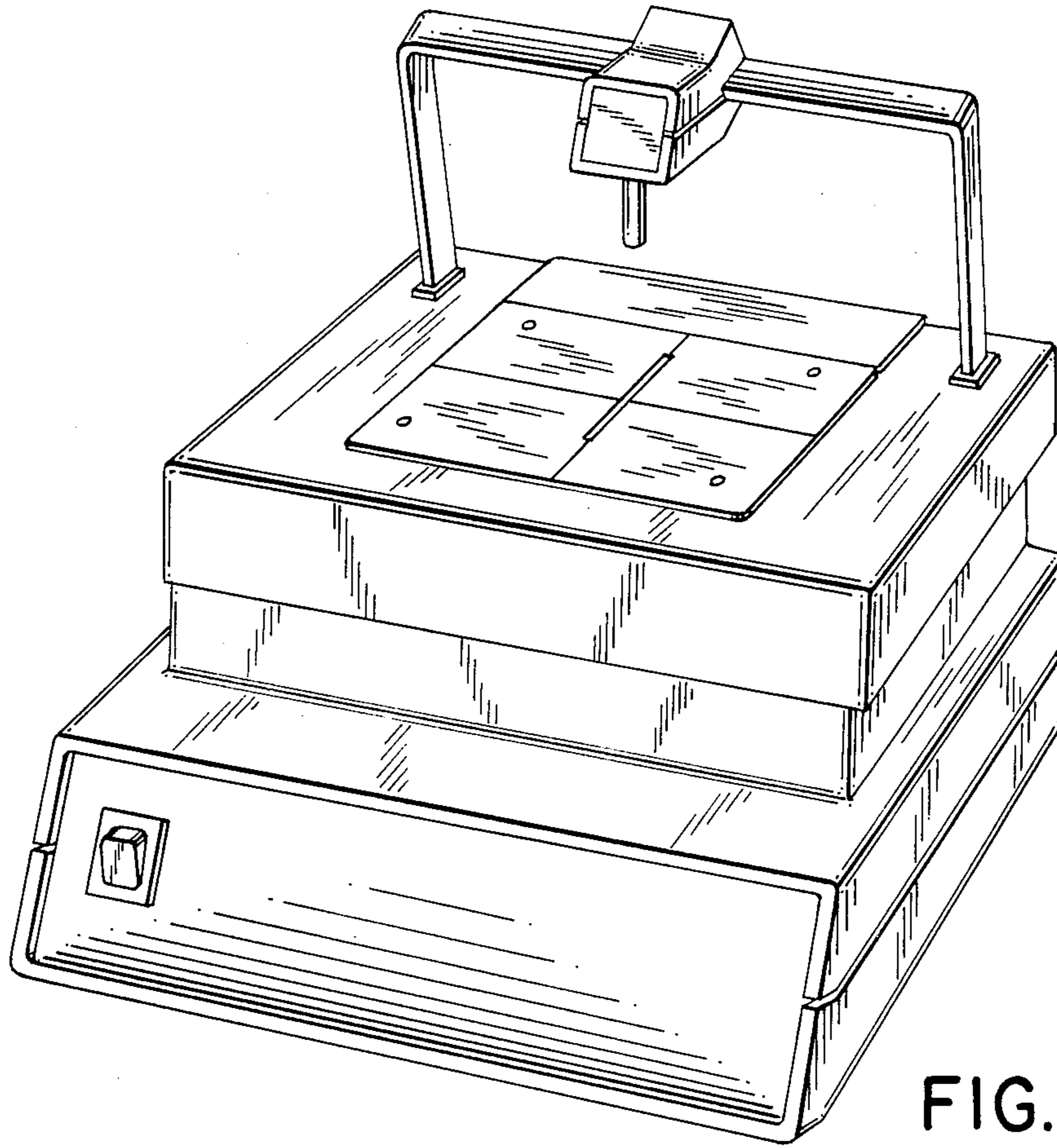


FIG. 1

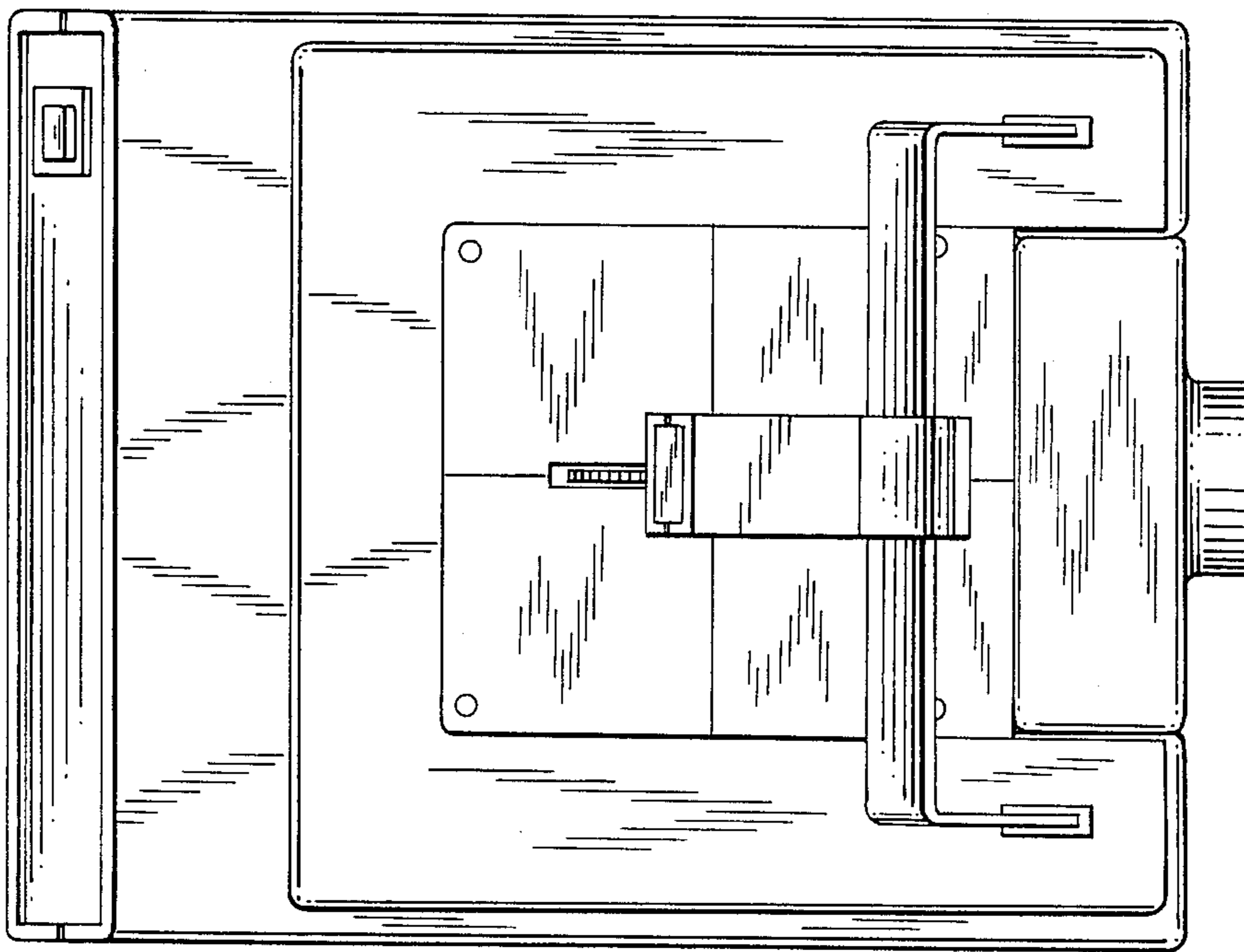


FIG. 2

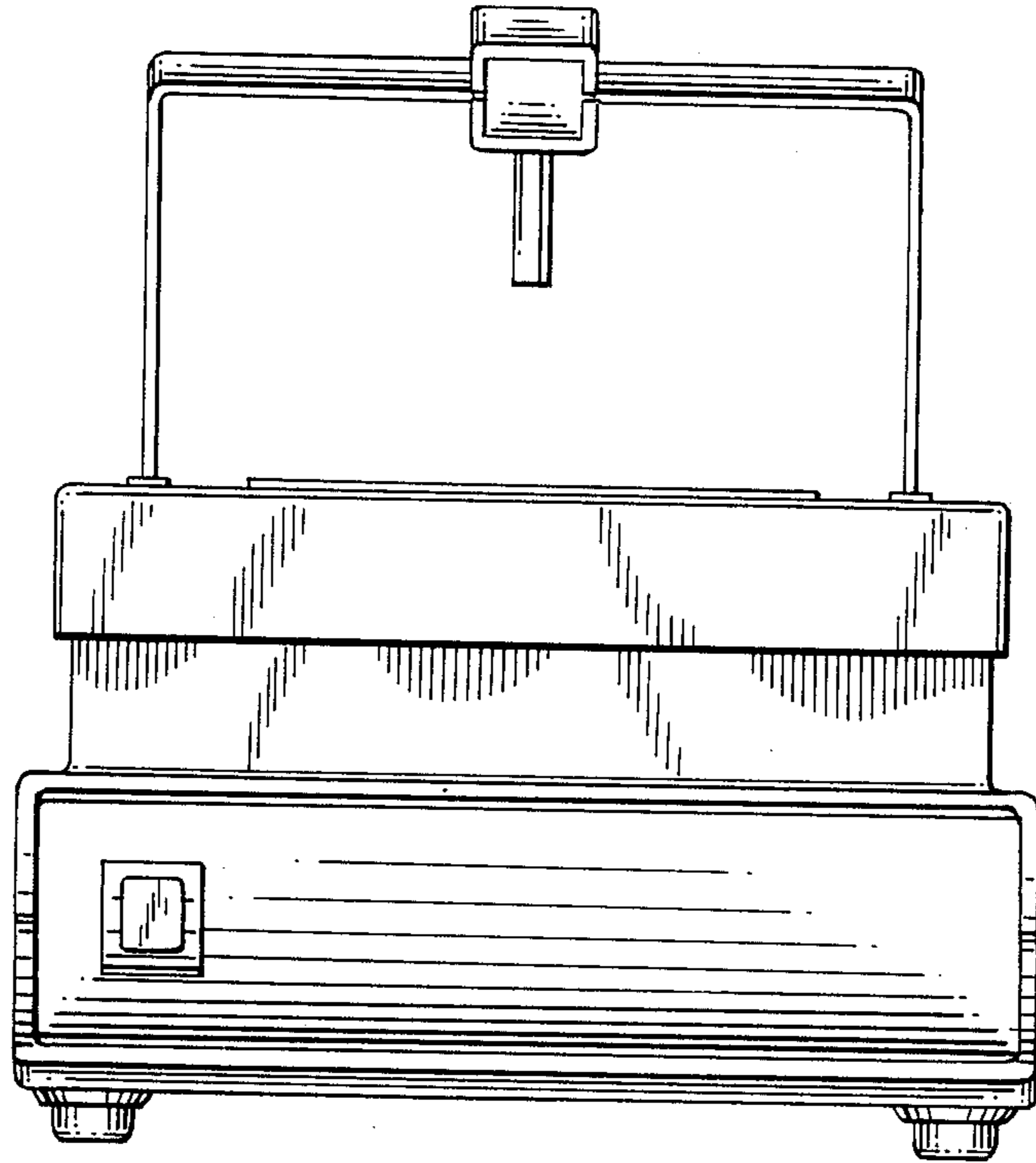


FIG. 3

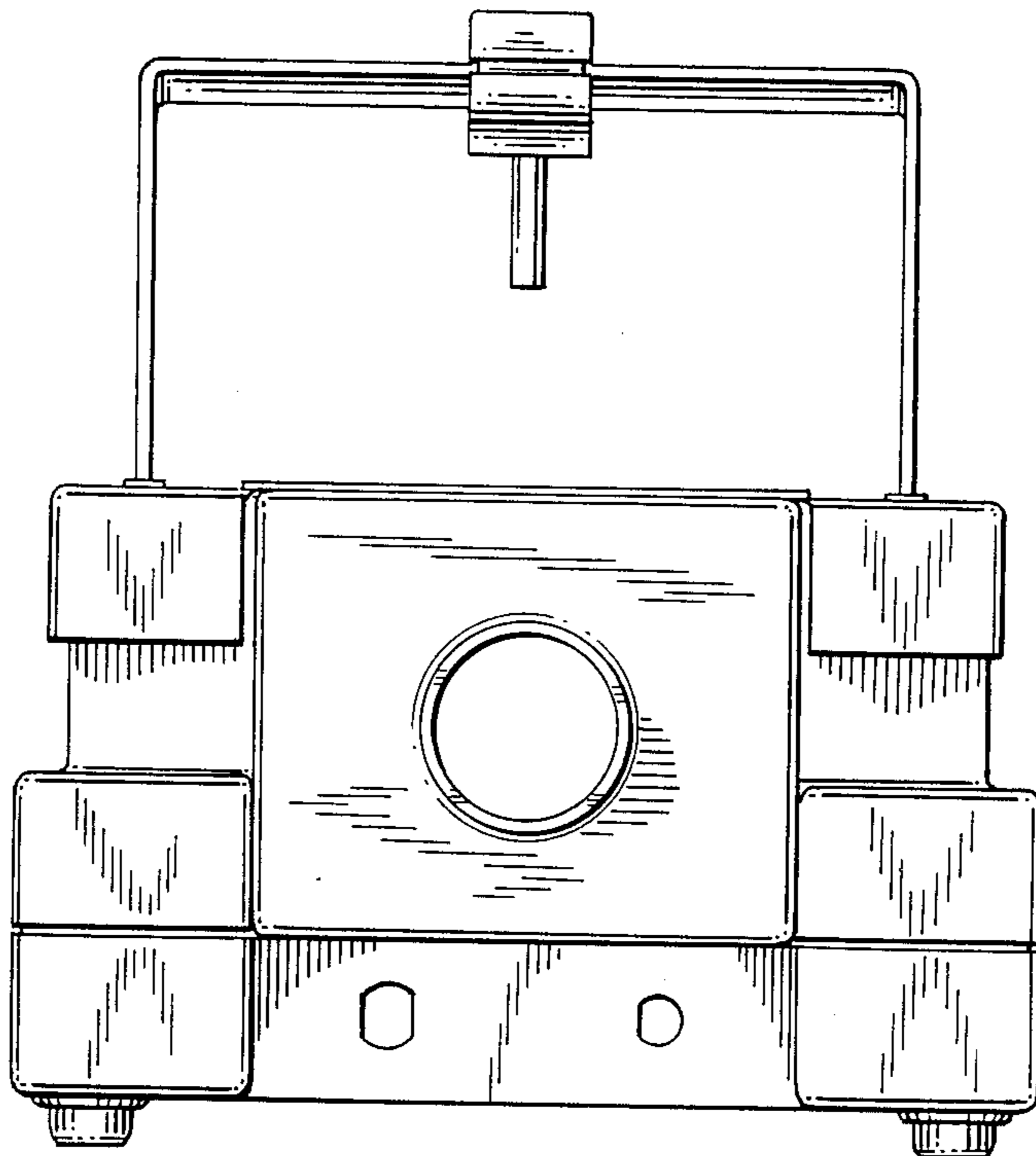


FIG. 4

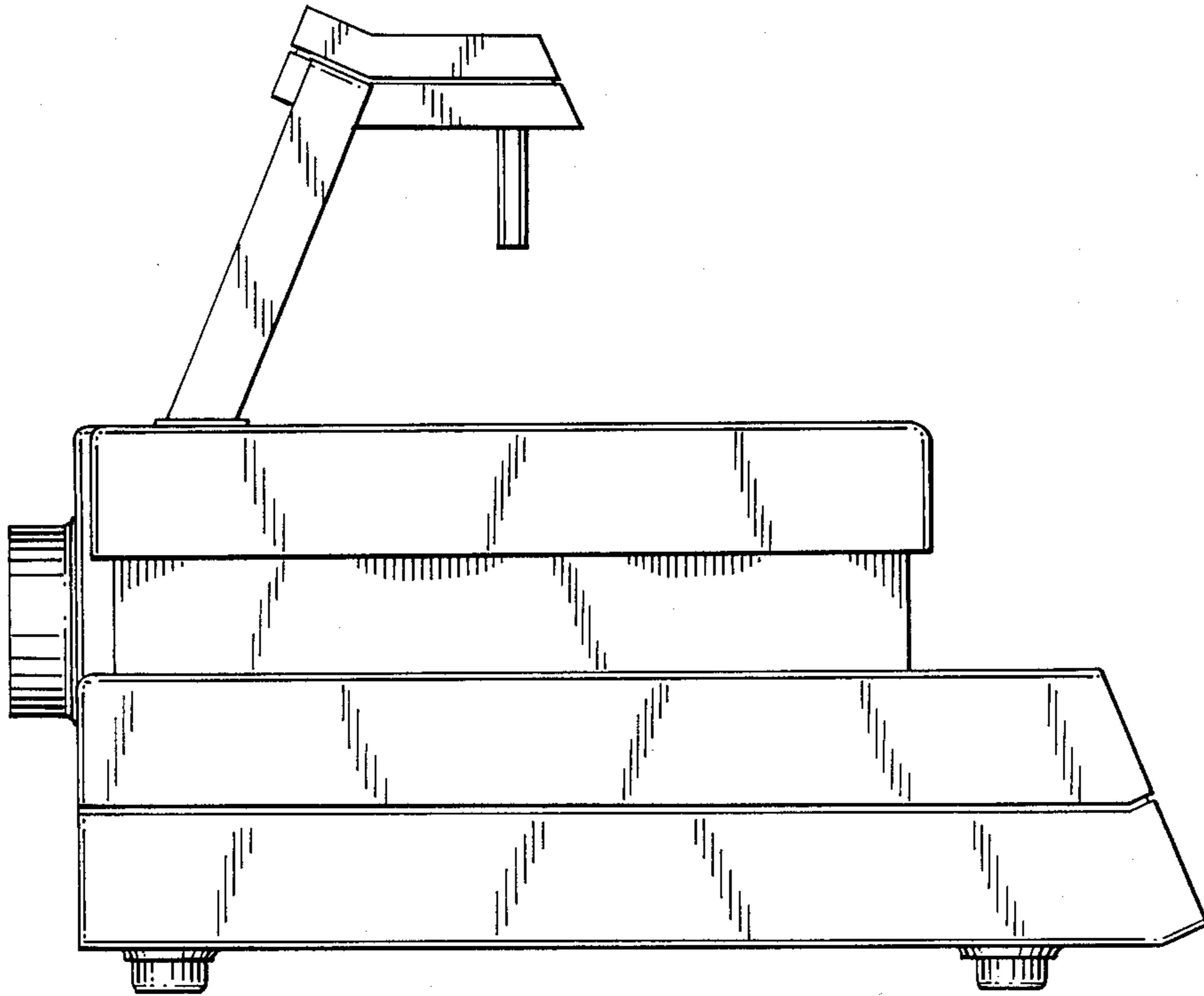


FIG. 5

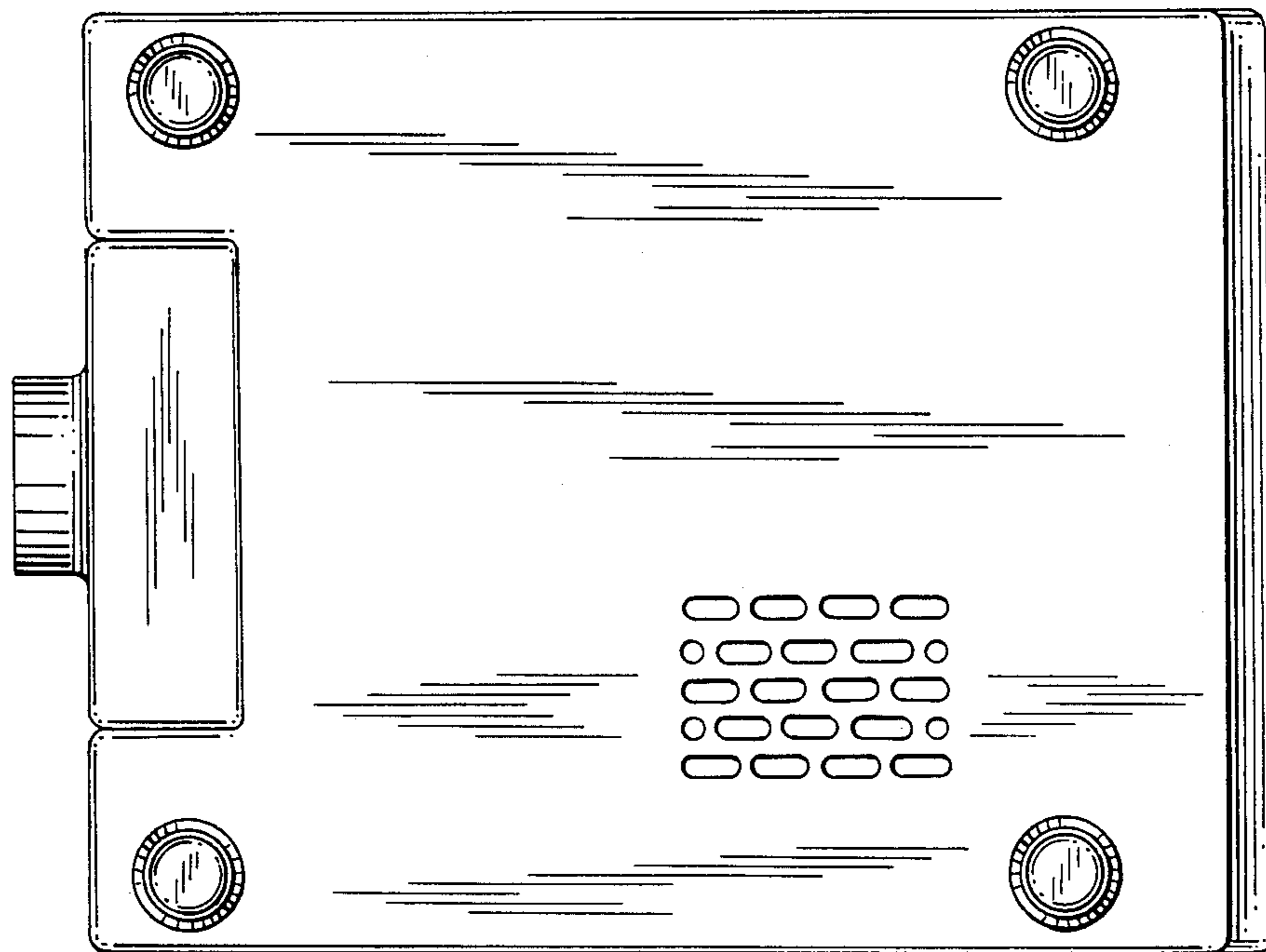


FIG. 6