

[54] PORTABLE PETROLEUM DISTILLATOR

[76] Inventor: Dennis D. Snow, Box 51, Galva, Kans. 67443

[**] Term: 14 Years

[21] Appl. No.: 906,787

[22] Filed: Sep. 12, 1986

[52] U.S. Cl. D24/8; D24/1.1

[58] Field of Search D24/8, 1.1; 202/83, 202/81, 176, 153; 203/DIG. 2; 196/98

[56] References Cited

U.S. PATENT DOCUMENTS

1,102,910 7/1914 Hanna 202/153

OTHER PUBLICATIONS

Fisher Scientific 81 Catalog— ©1980, Automatic Distillation Apparatus, p. 858.

Primary Examiner—Wallace R. Burke

Assistant Examiner—Stella M. Reid

Attorney, Agent, or Firm—Leon Gilden

[57] CLAIM

The ornamental design for a portable petroleum distillator, as shown and described.

DESCRIPTION

FIG. 1 is a left side elevational view of a portable petroleum distillator, showing my new design;

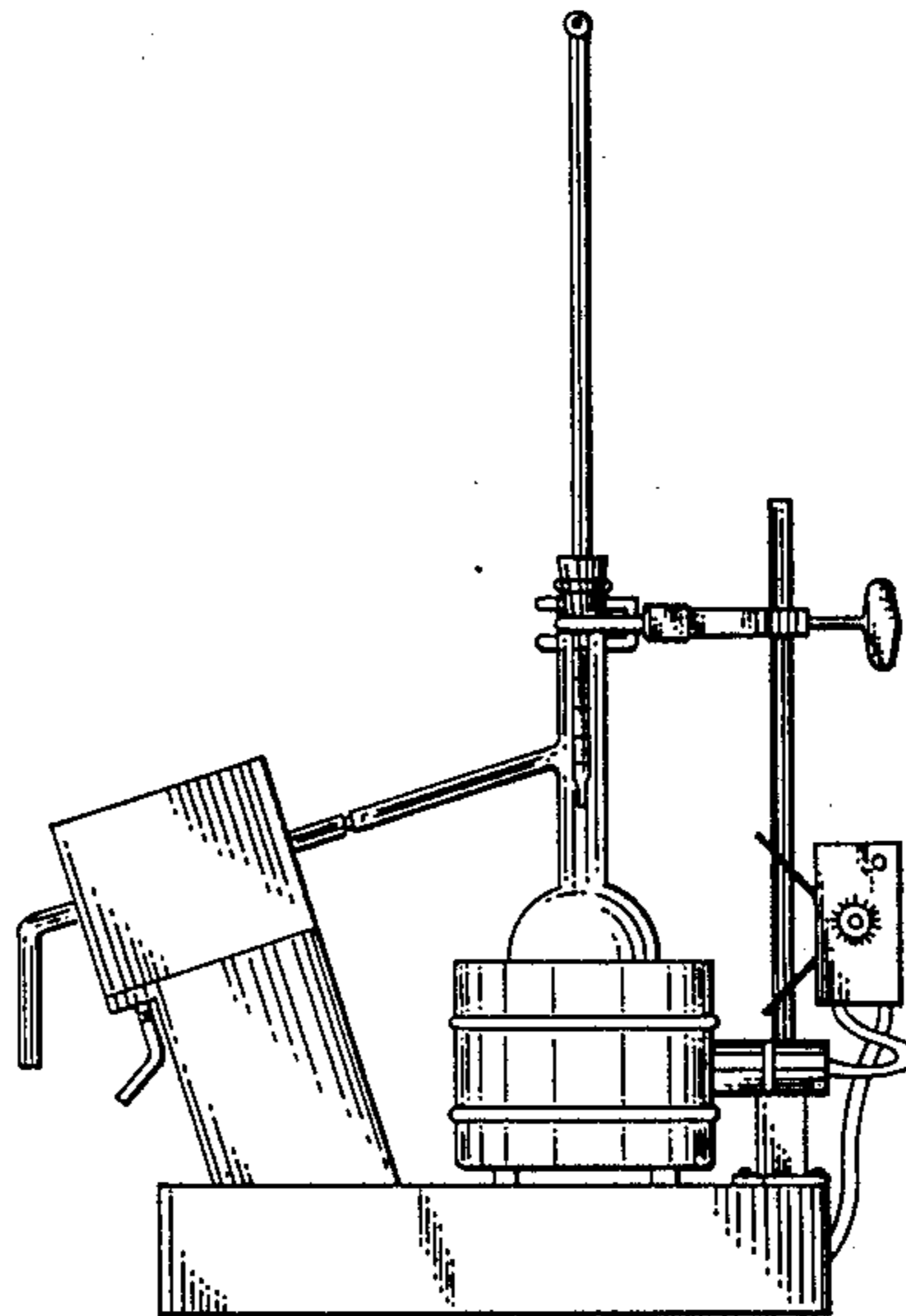
FIG. 2 is a top plan view thereof.

FIG. 3 is a right side elevational view thereof.

FIG. 4 is a bottom plan view thereof.

FIG. 5 is a left end elevational view thereof.

FIG. 6 is a right end elevational view thereof.



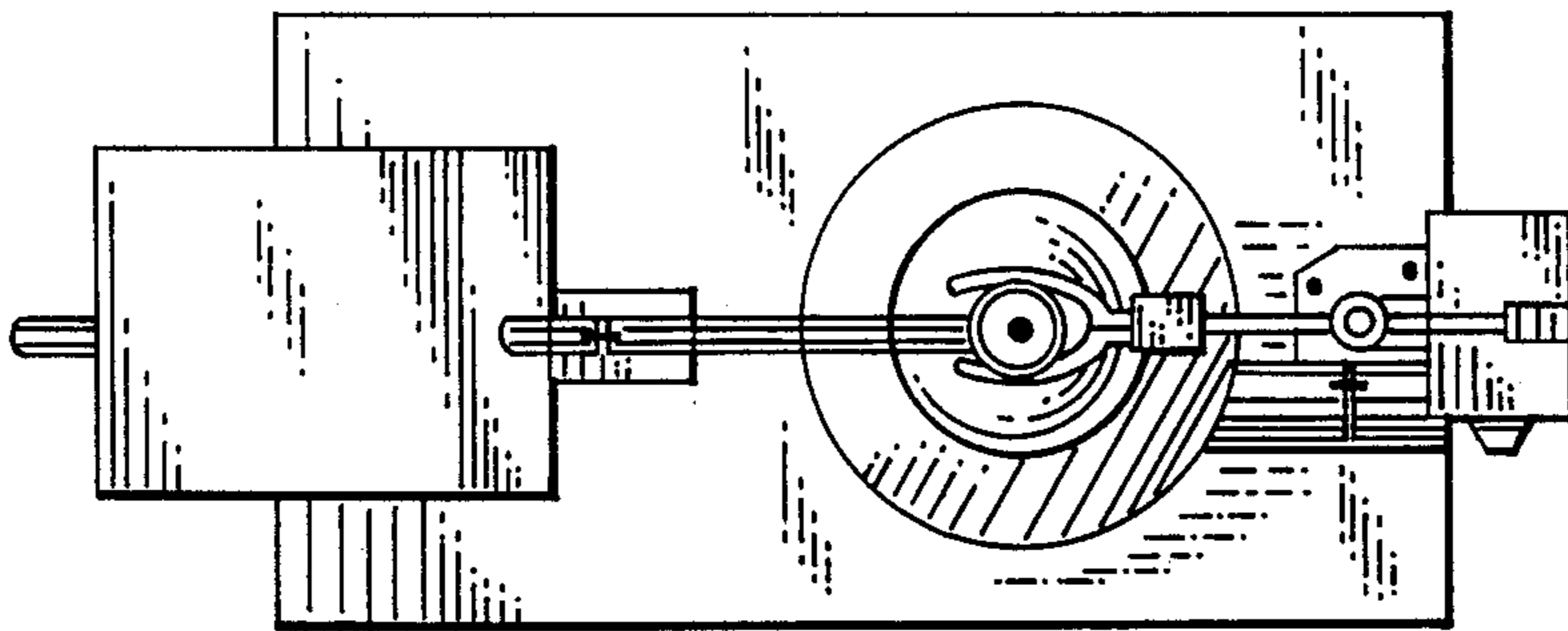


Fig. 1

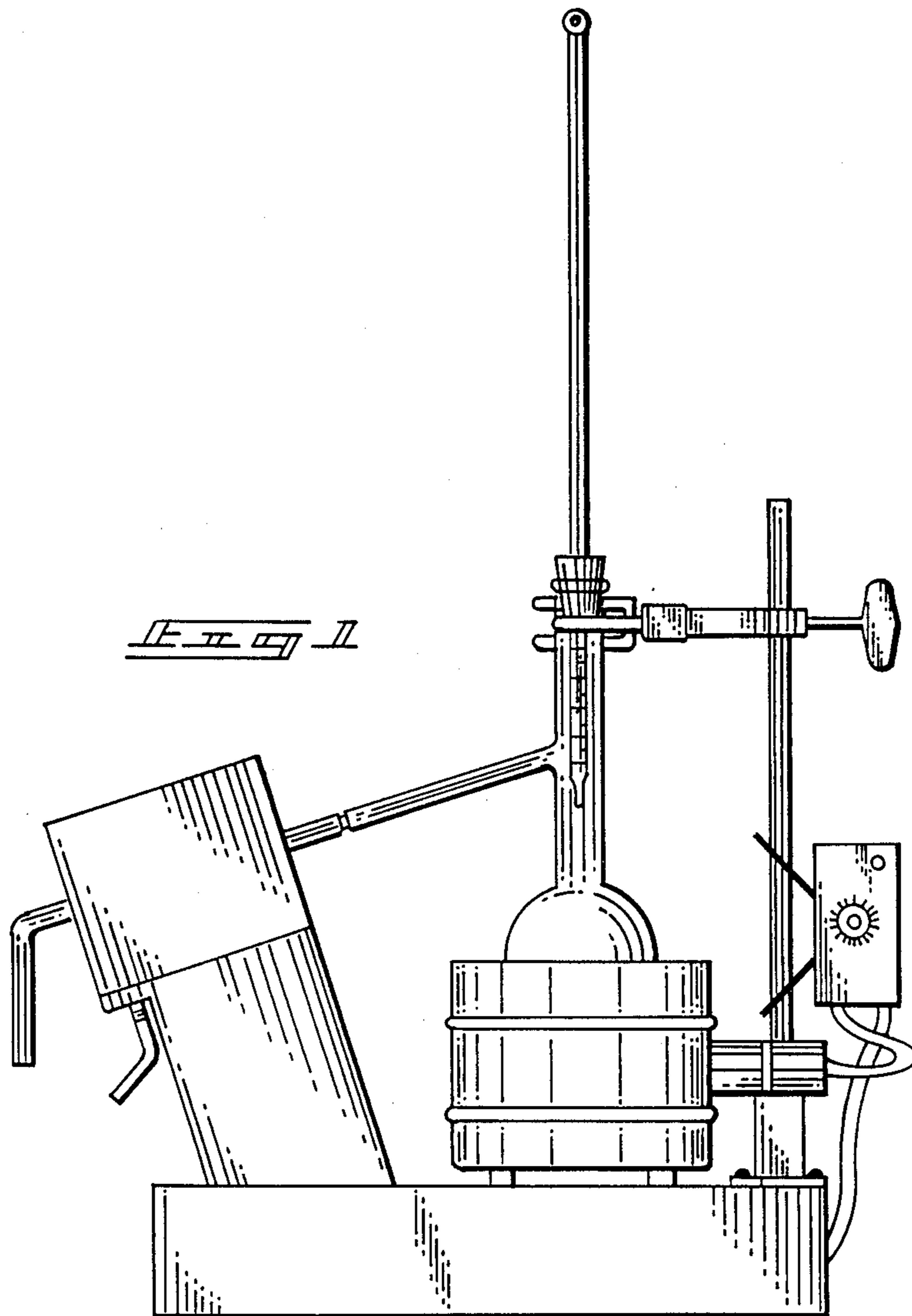
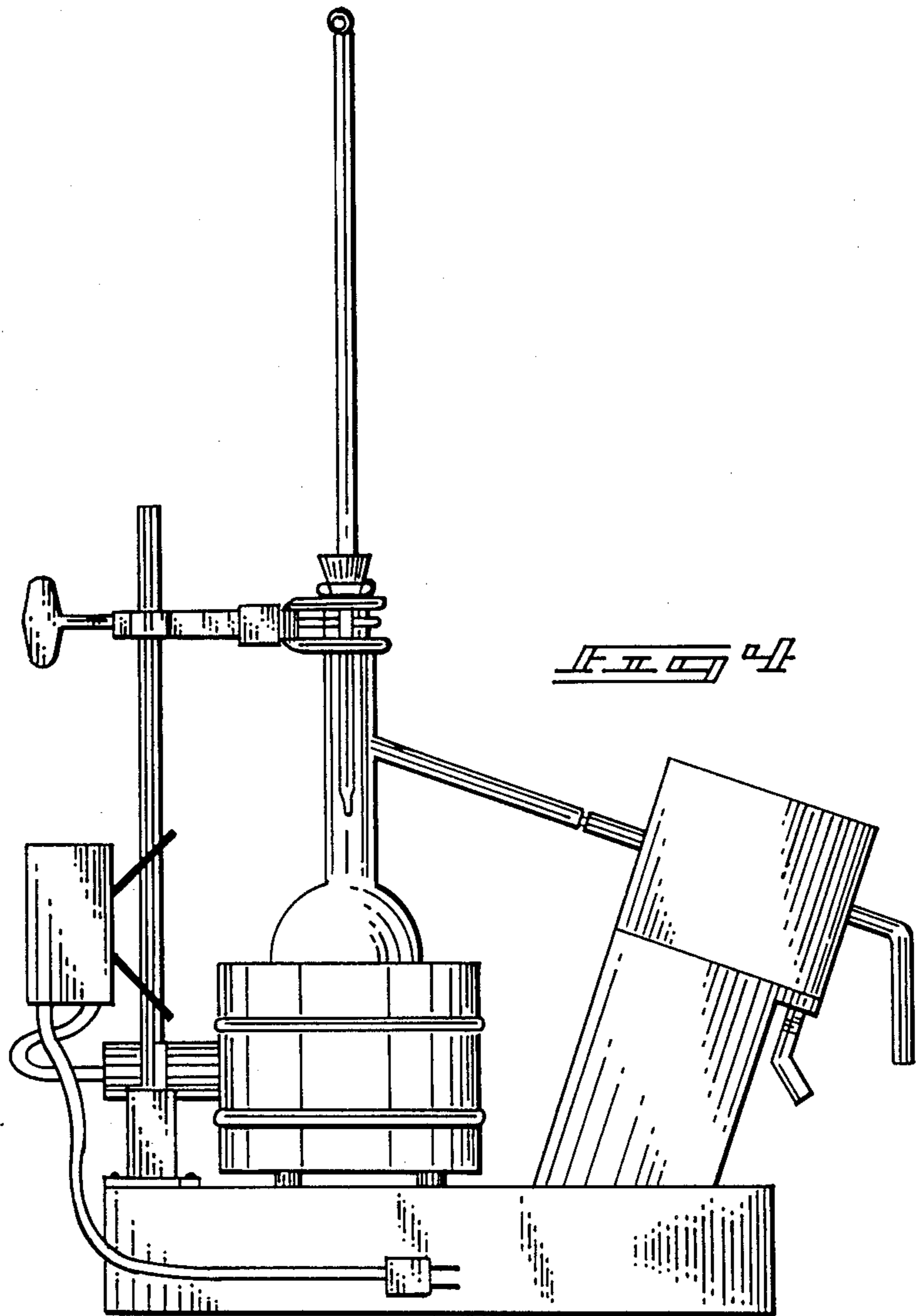
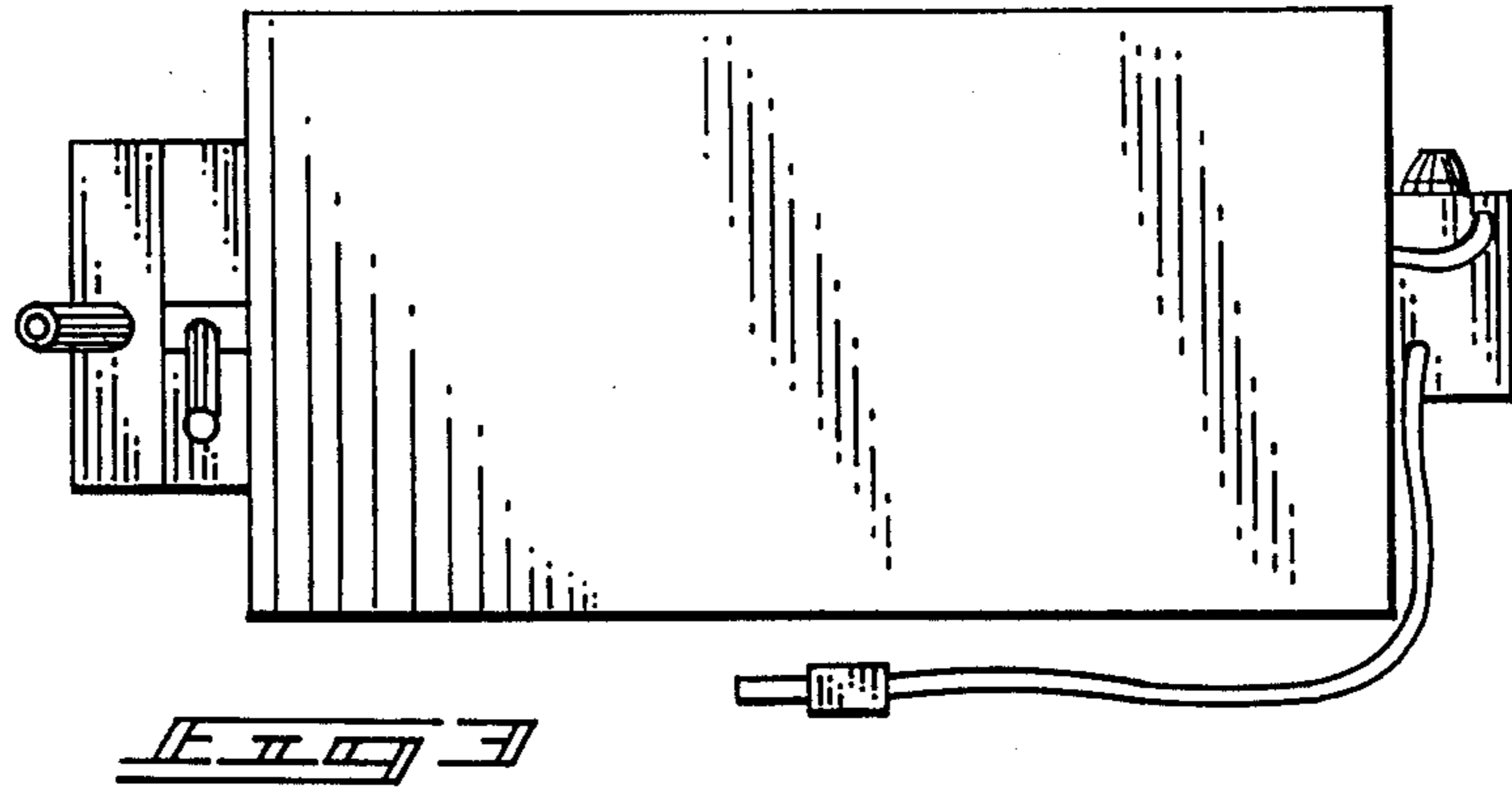


Fig. 2



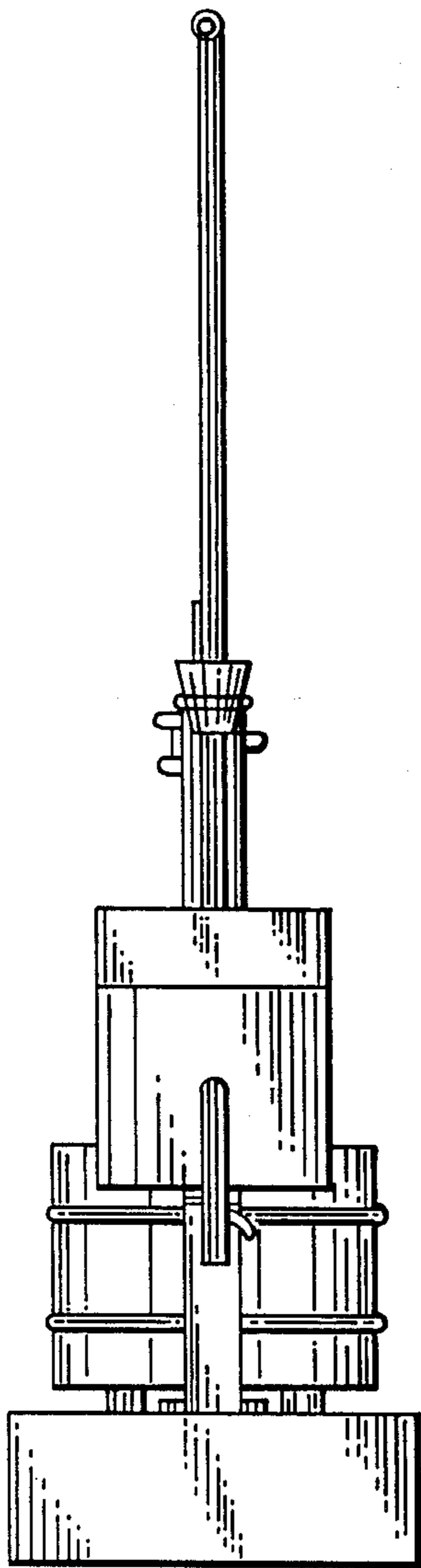


Fig. 5

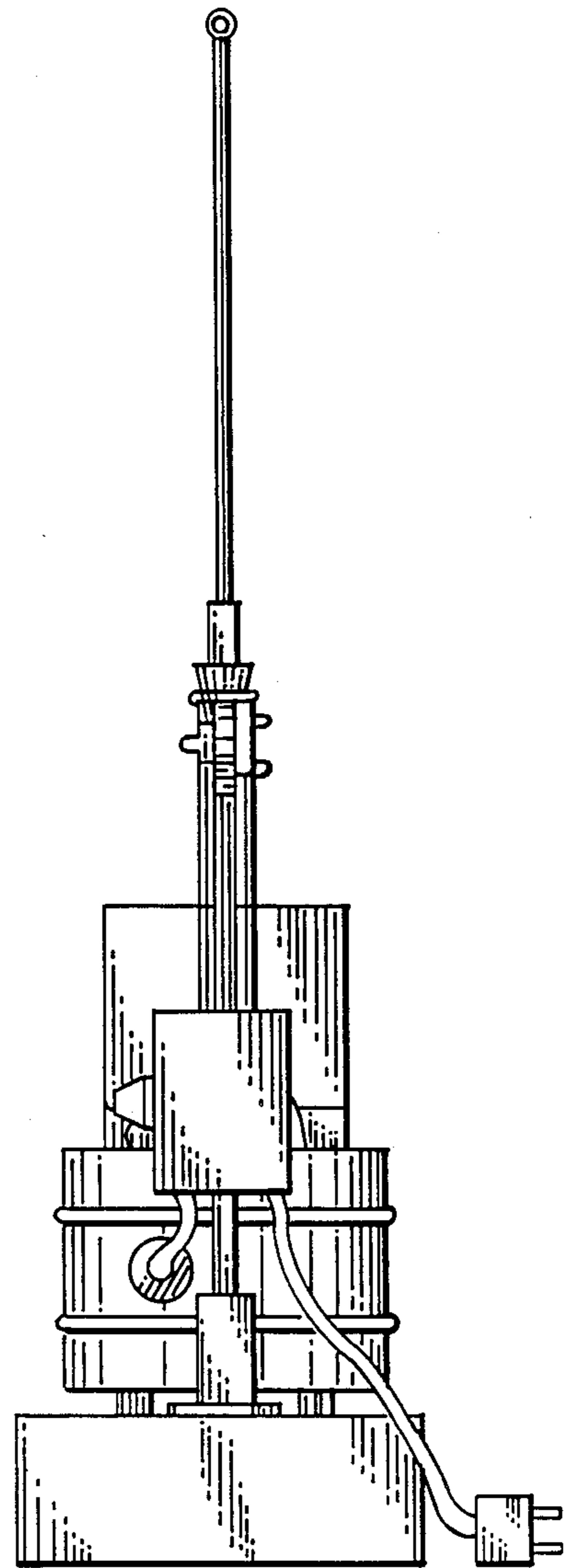


Fig. 6