

[54] GOLF CLUB HEAD

[76] Inventor: John L. MacFarlane, P.O. Box 8107, Incline Village, Nev. 89450

[\*\*] Term: 14 Years

[21] Appl. No.: 871,575

[22] Filed: Jun. 6, 1986

[52] U.S. Cl. .... D21/217

[58] Field of Search ..... D21/214-220; 273/164, 167-175

[56] References Cited

U.S. PATENT DOCUMENTS

- D. 275,981 10/1984 Duclos ..... D21/219
- D. 295,204 4/1988 Brayak ..... D21/217

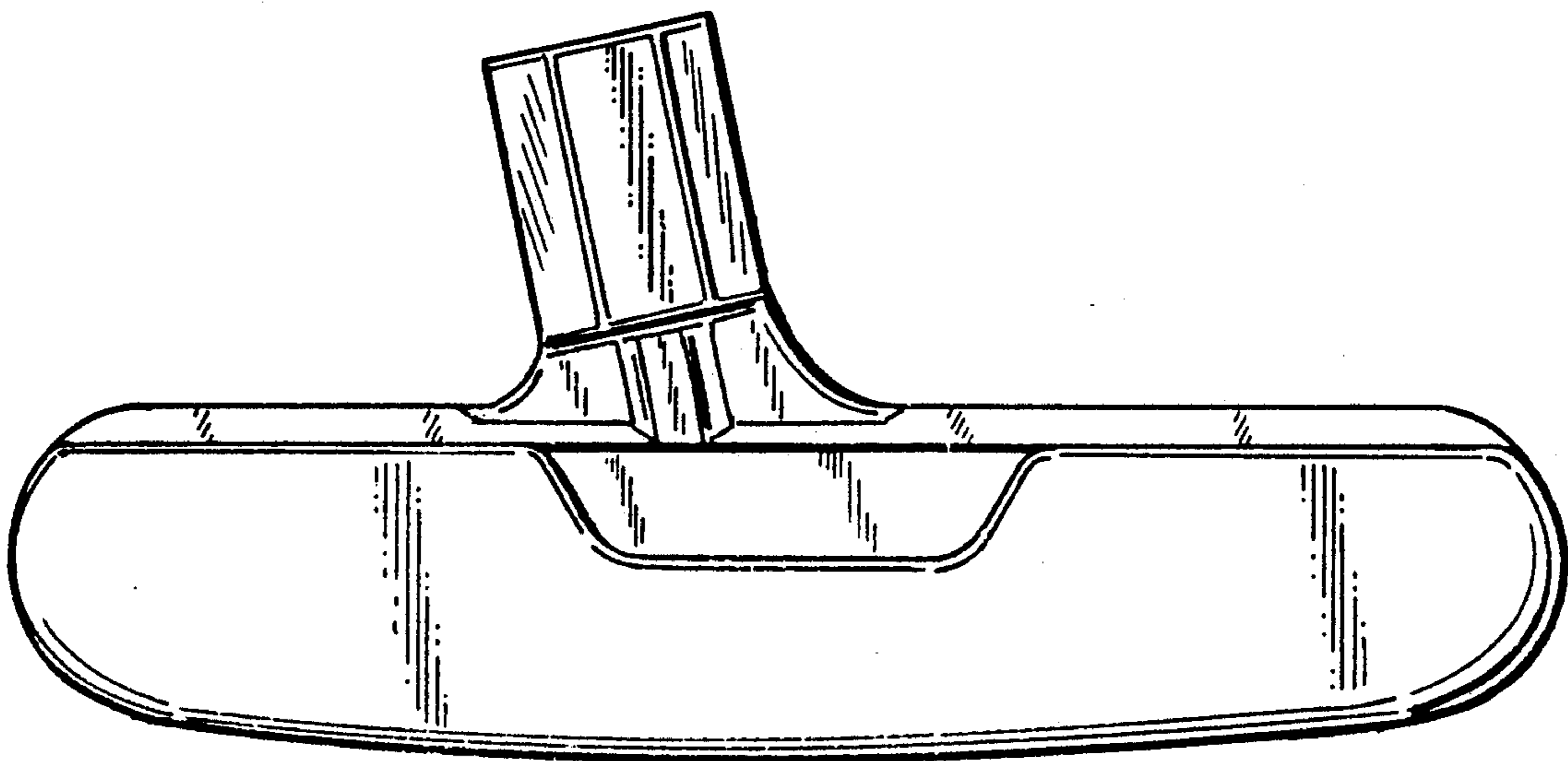
Primary Examiner—Melvin B. Feifer  
Attorney, Agent, or Firm—Glen R. Grunewald; Thomas R. Lampe

[57] CLAIM

The ornamental design for a golf club head, as shown.

DESCRIPTION

FIG. 1 is a top perspective view of a golf club head showing my new design;  
 FIG. 2 is an enlarged side elevation view thereof;  
 FIG. 3 is a top plan view thereof;  
 FIG. 4 is a bottom plan view thereof;  
 FIG. 5 is a side elevation view of the side opposite to FIG. 2;  
 FIG. 6 is a rear elevation view thereof; and  
 FIG. 7 is a front elevation view thereof.



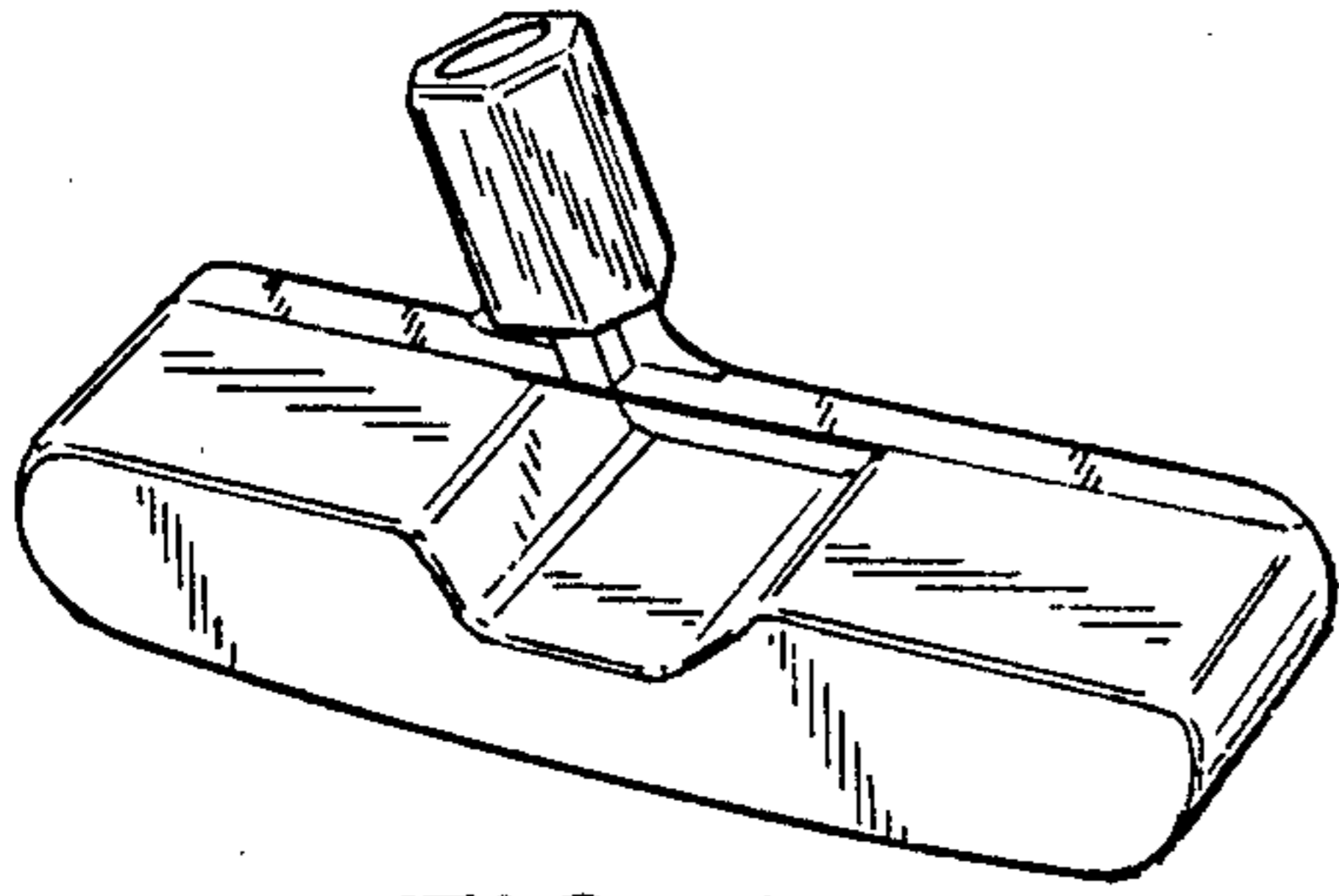


FIG. 1.

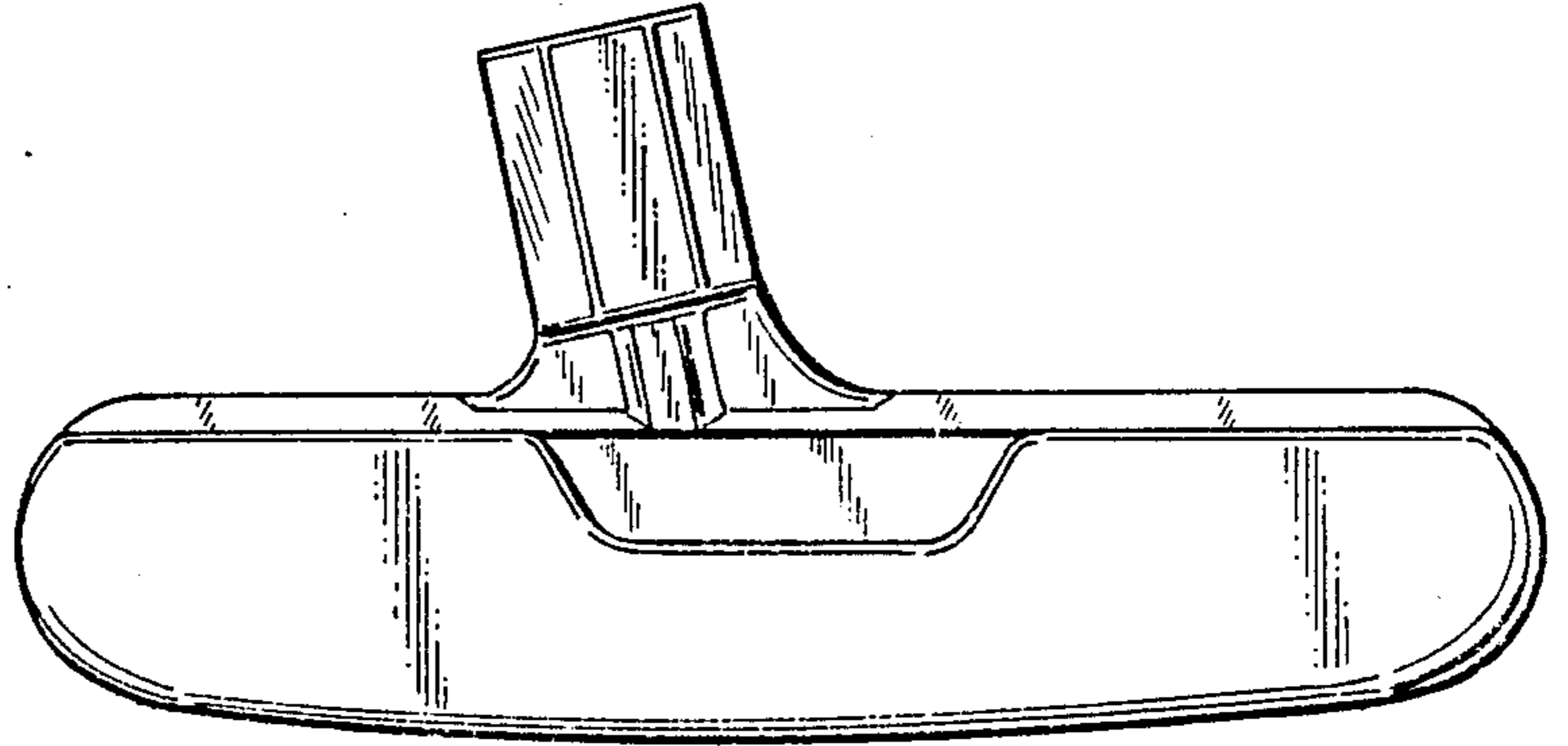


FIG. 2.

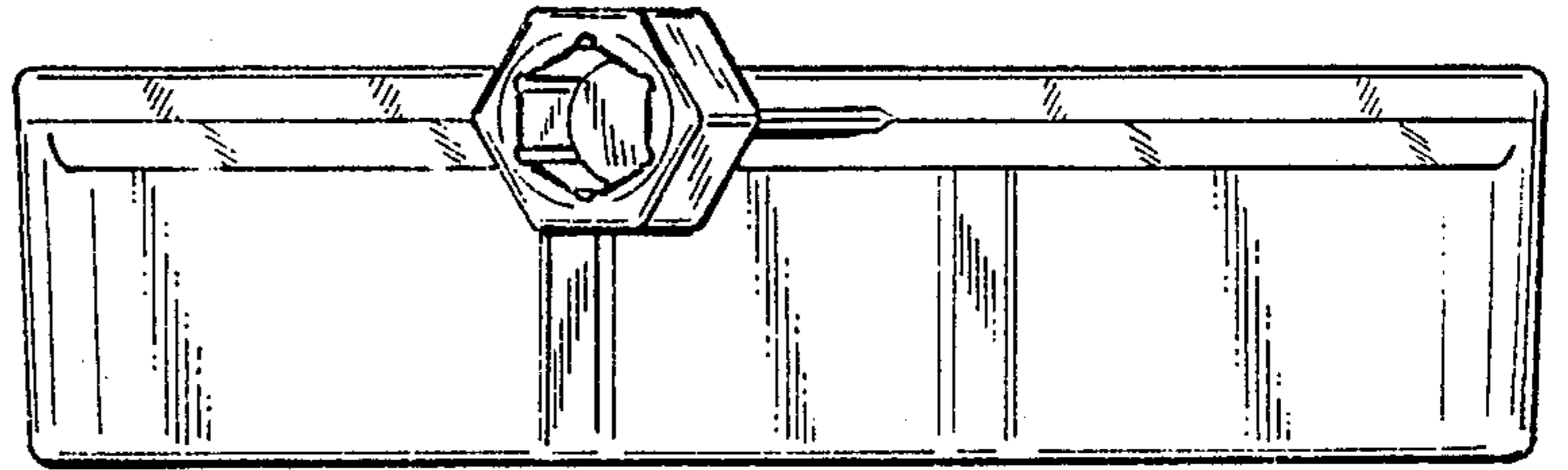


FIG. 3.

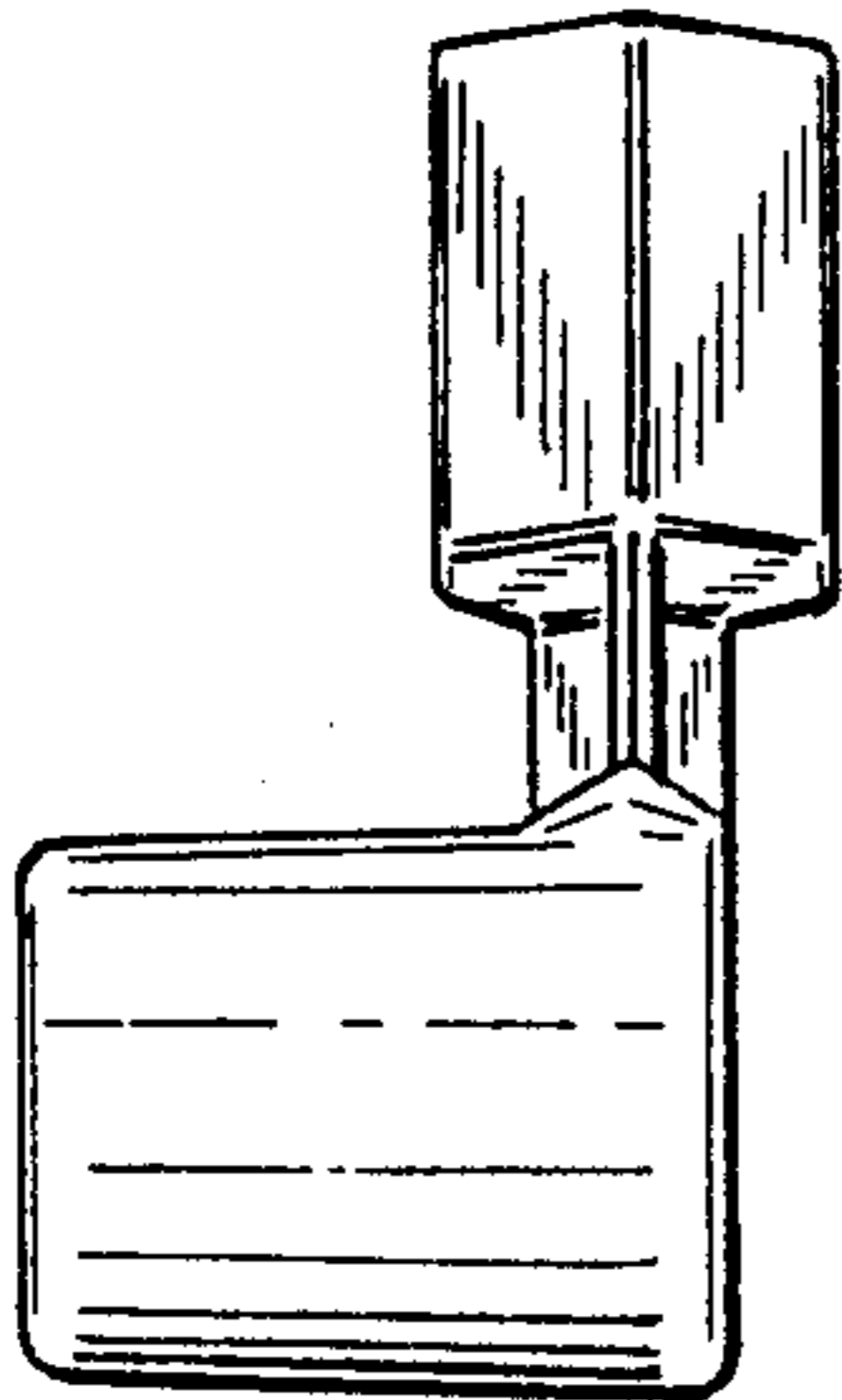


FIG. 7.

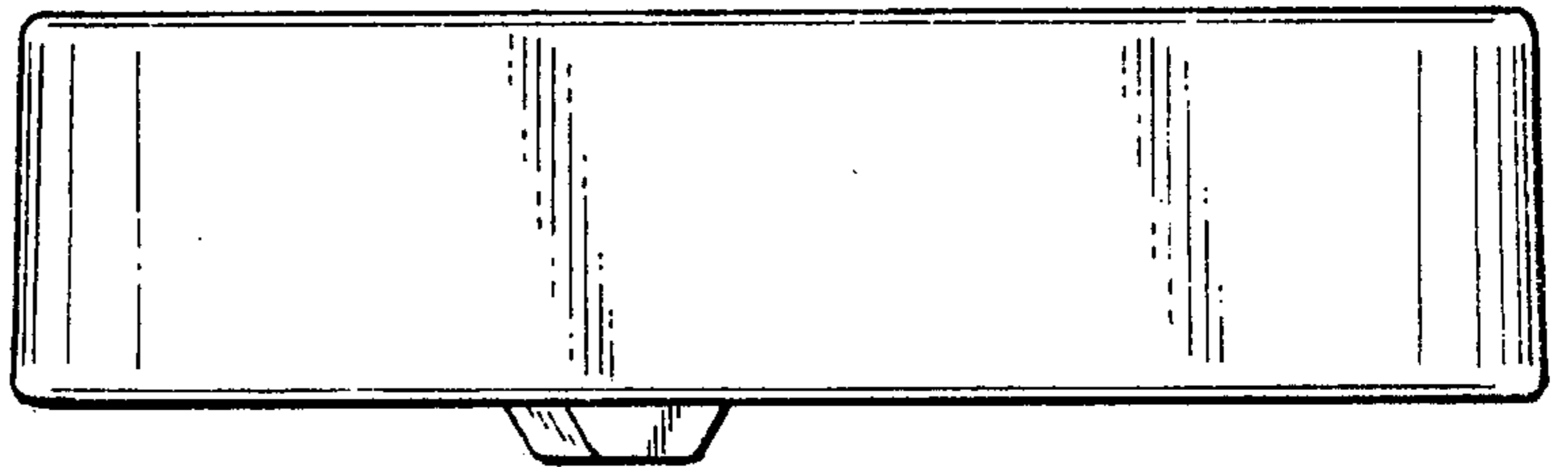


FIG. 4.

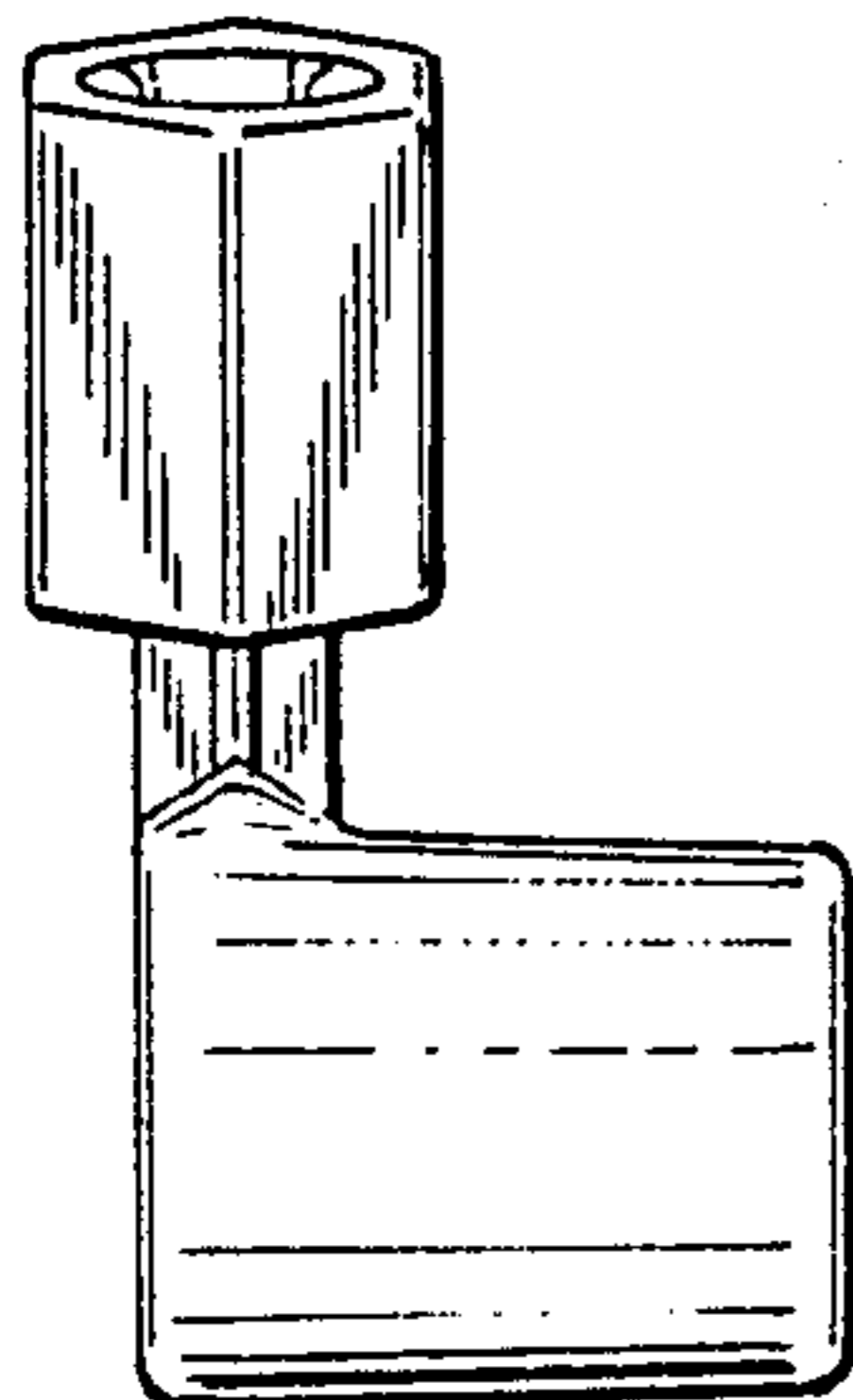


FIG. 6.

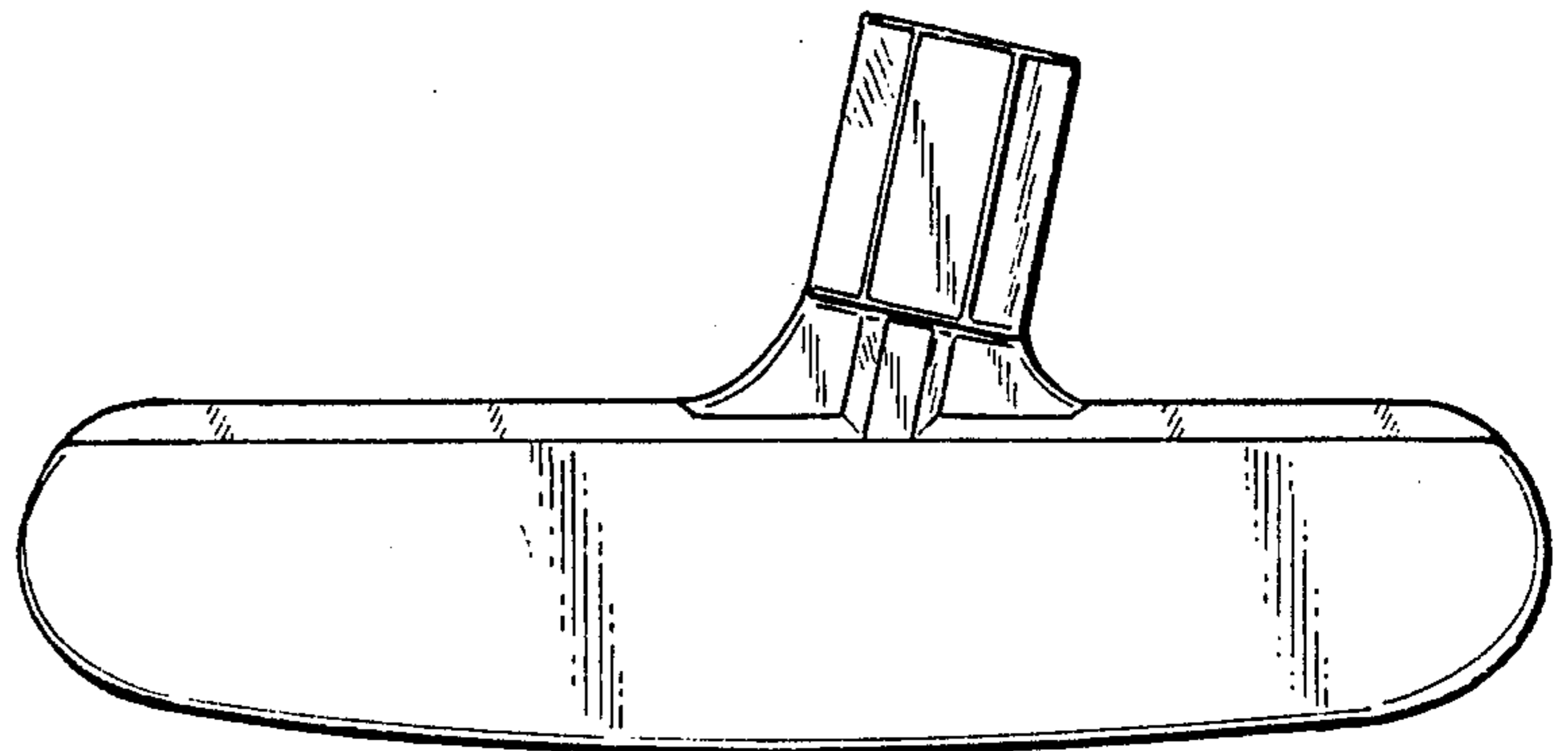


FIG. 5.