

[54] T-NUT WORKHOLDER CLAMP

[76] Inventor: Maurice E. Bishop, Moultonville Rd., Center Ossipee, N.H. 03814

[**] Term: 14 Years

[21] Appl. No.: 786,630

[22] Filed: Oct. 11, 1985

[52] U.S. Cl. D15/140

[58] Field of Search D15/138, 140-141; D8/387, 397; 269/229, 240, 243, 244, 248; 411/378, 379, 393, 398, 402, 403

[56] References Cited

U.S. PATENT DOCUMENTS

D. 219,426	12/1970	Ginsberg	D8/397
D. 229,610	12/1973	Shinjo	D8/397
D. 276,411	11/1984	Peroni	D8/399
1,033,758	7/1912	Howell	269/240
2,247,499	7/1941	Hutchison, Jr.	411/378
2,302,621	11/1942	Luboshez	411/378
4,076,228	2/1978	Sheldon	269/243
4,139,188	2/1979	Avedian	269/229

OTHER PUBLICATIONS

Manhattan Industrial Supply Company, Effective 9/1/84, p. 74, "T-slot Nuts" middle left hand page.

Primary Examiner—Bruce W. Dunkins

Assistant Examiner—Ruth Takemoto

[57] CLAIM

The ornamental design for a T-nut workholder clamp, as shown and described.

DESCRIPTION

FIG. 1 is a perspective view of a T-Nut workholder clamp showing my new design, the broken lines representing a machine tool table and workpiece is shown for illustrative purposes only and forms no part of the claimed design;

FIG. 2 is a top plan view thereof;

FIG. 3 is a bottom plan view thereof;

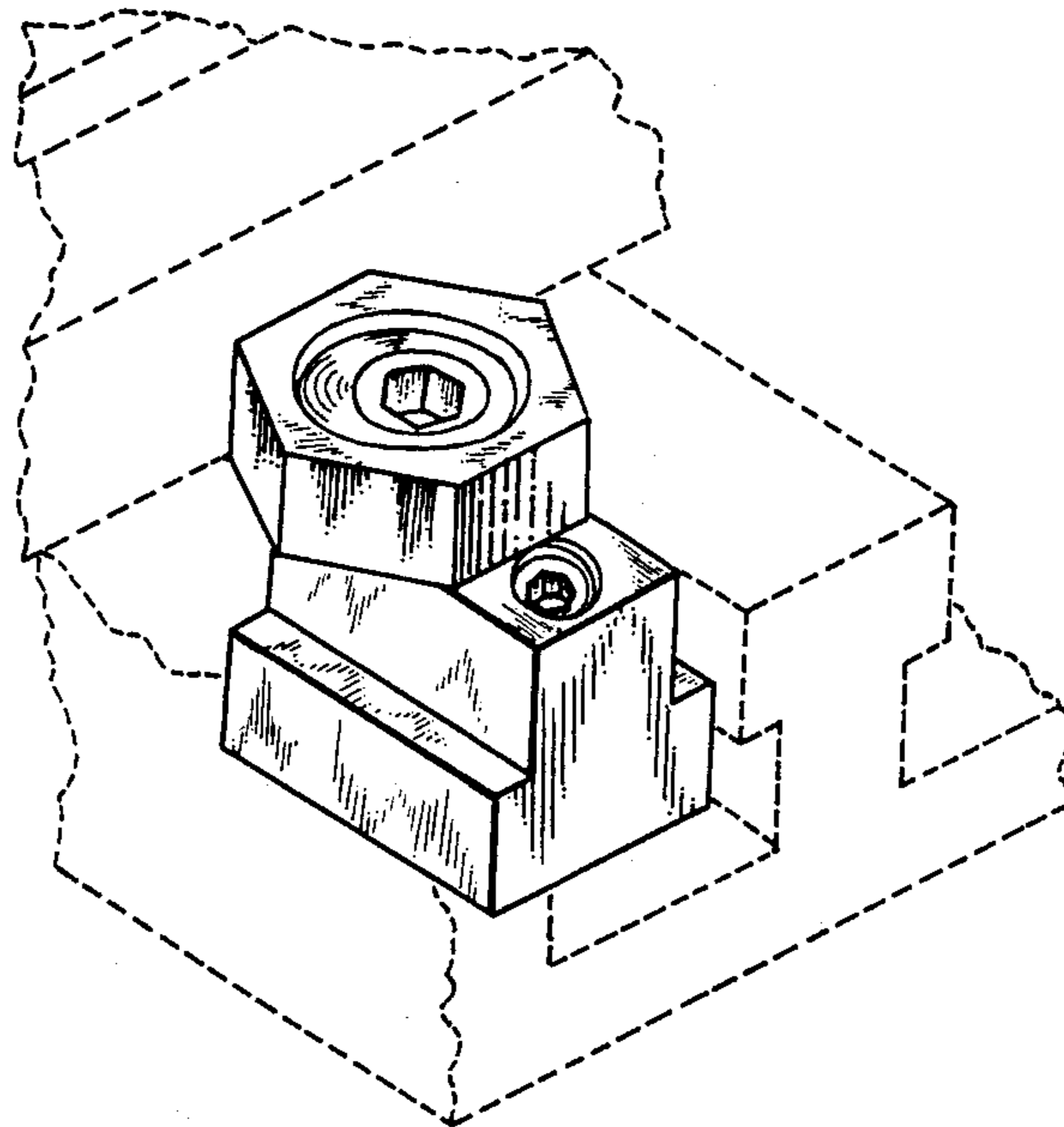
FIG. 4 is a left side elevational view thereof, the right side being a mirror image;

FIG. 5 is a top plan view of a second embodiment thereof;

FIG. 6 is a bottom plan view thereof;

FIG. 7 is a left side elevational view thereof, the right side being a mirror image; and

FIG. 8 is a front elevational view of both embodiments, the rear being identical.



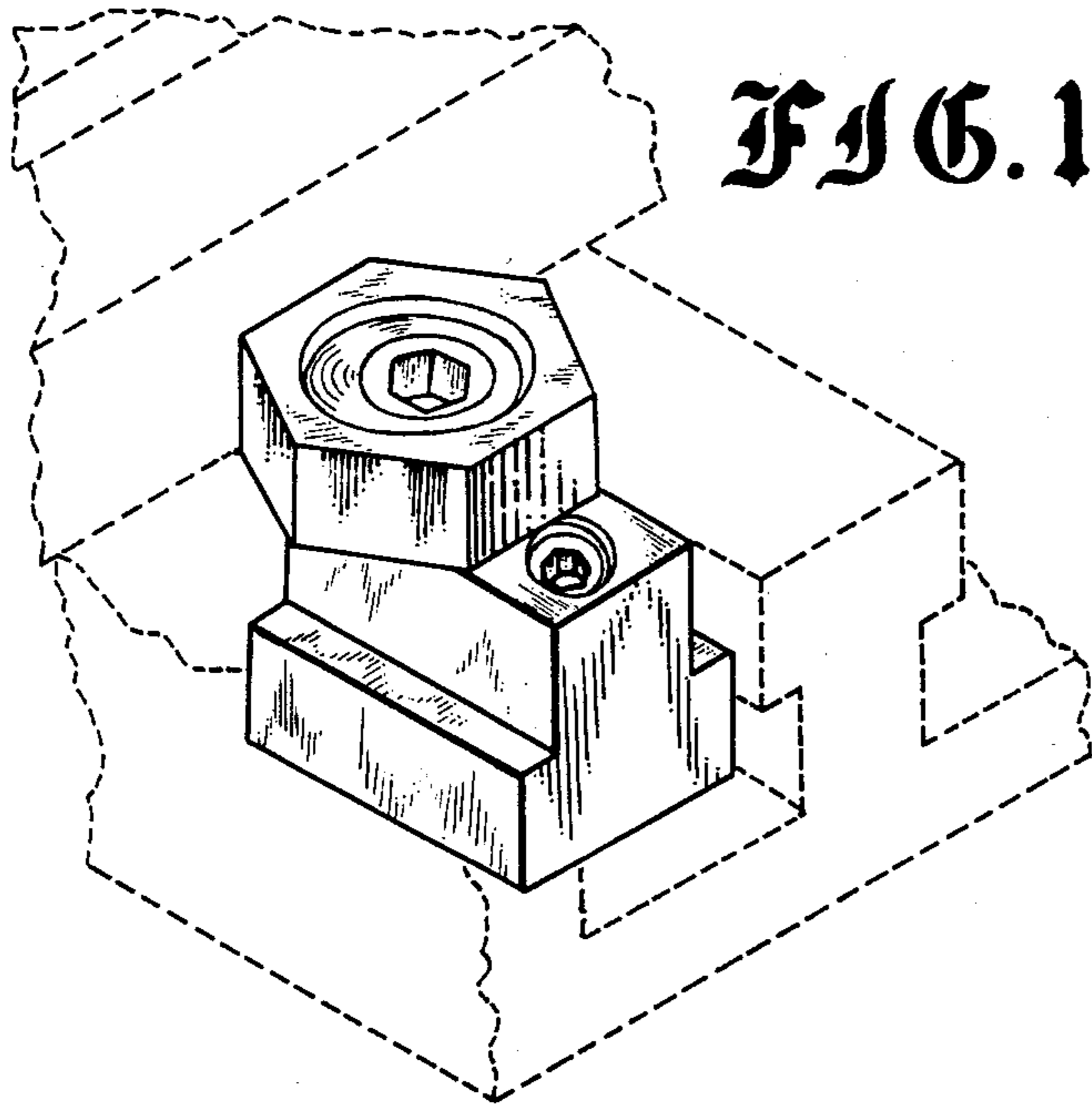


FIG. 1

FIG. 2

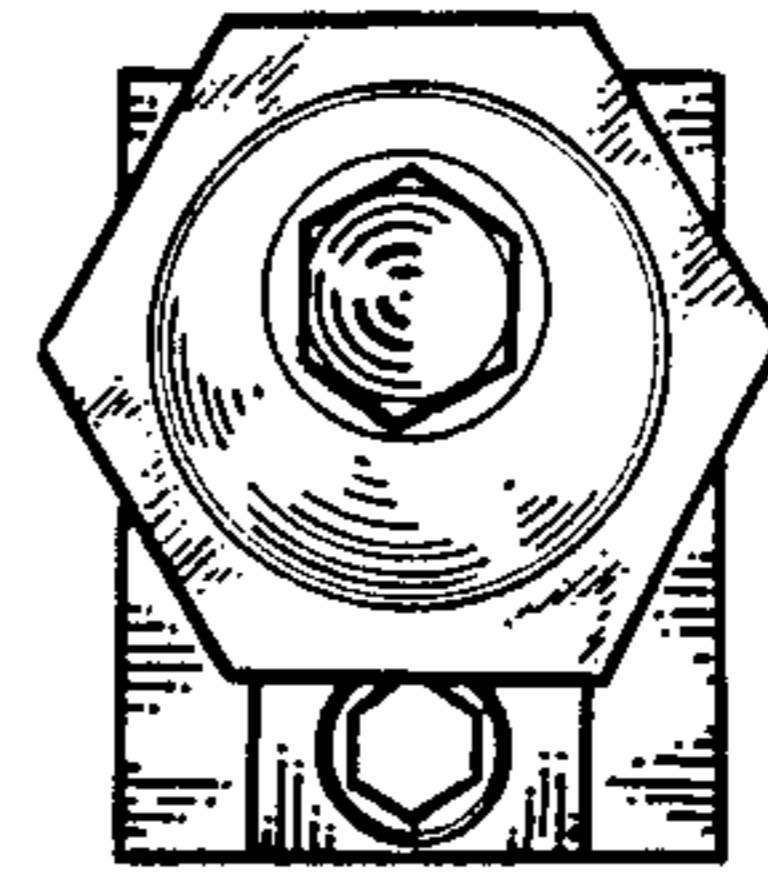


FIG. 3

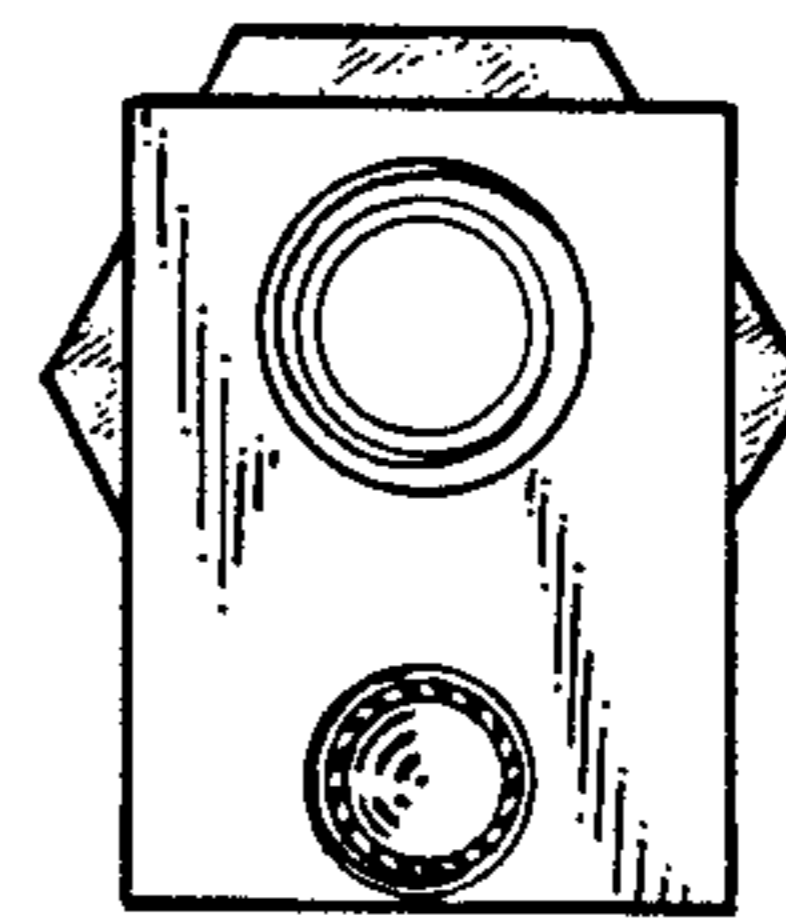


FIG. 4

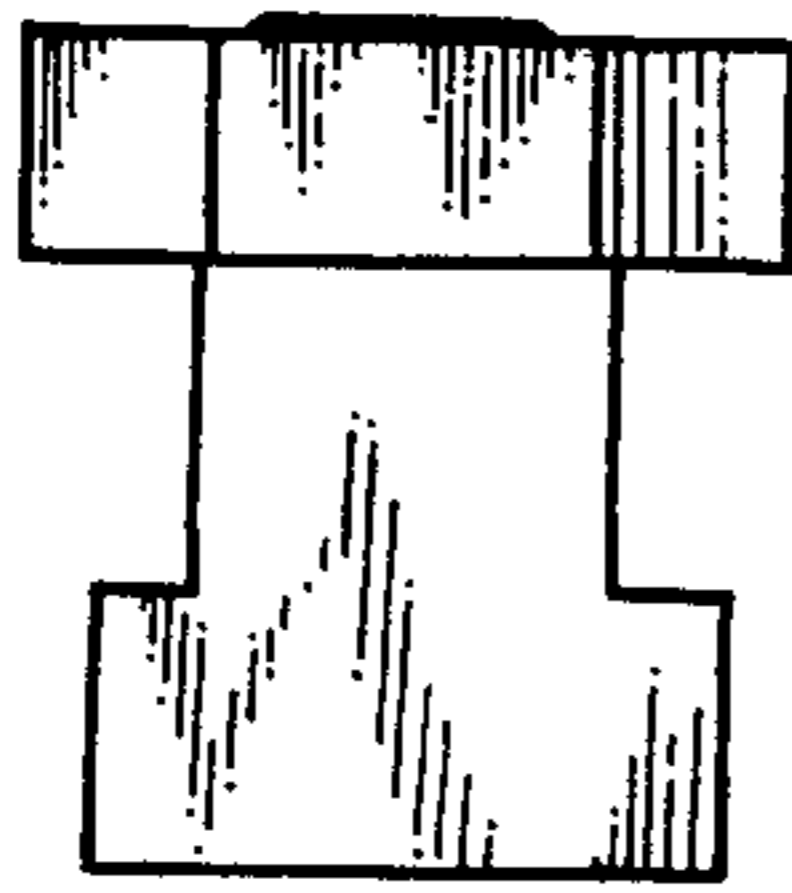


FIG. 5

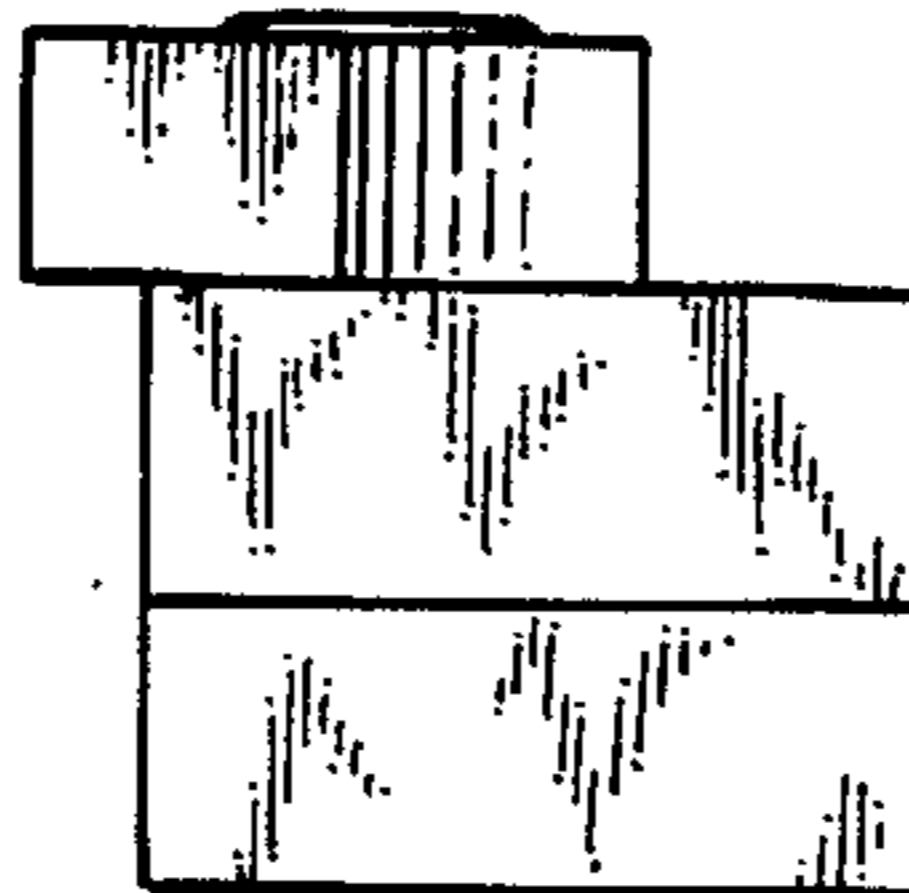


FIG. 6

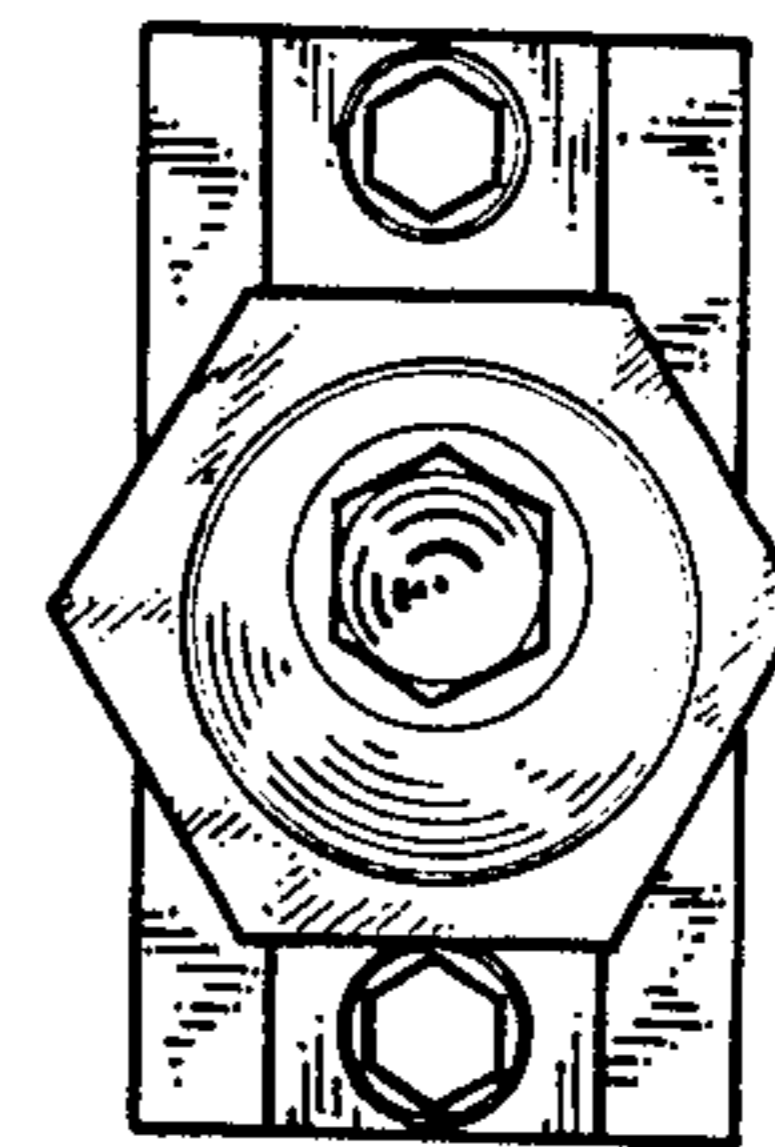


FIG. 7

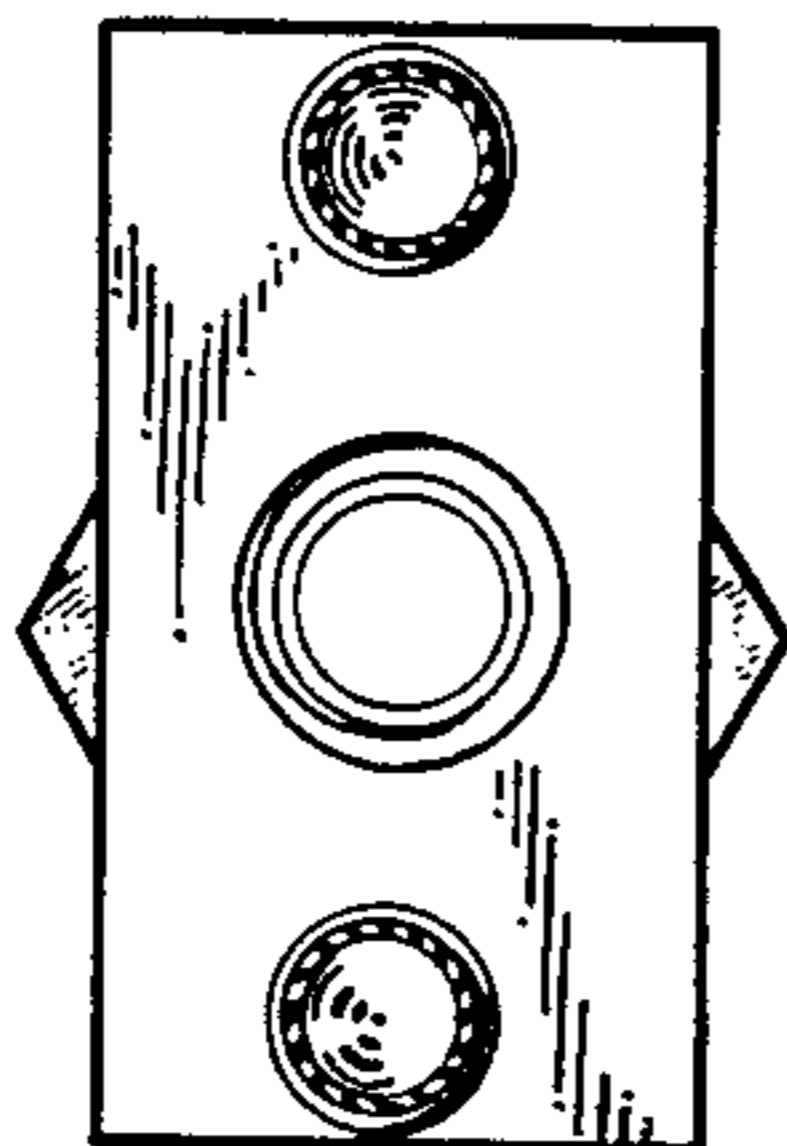


FIG. 8

