

[54] CASSETTE RECORDER

D. 219,176 11/1970 Single D16/225
3,083,269 3/1963 Gaubert 360/91

[75] Inventors: Emil F. Jachmann, Greenwich;
Sandor F. Weisz, Stamford, both of
Conn.

[73] Assignee: Dictaphone Corporation, Stratford,
Conn.

[**] Term: 14 Years

[21] Appl. No.: 836,561

[22] Filed: Feb. 27, 1986

[52] U.S. Cl. D14/164; D14/160;
D14/161

[58] Field of Search D14/108, 120, 121, 160,
D14/161, 164, 165, 167, 182, 197, 198, 257, 260,
299; D19/76; 360/15, 55, 88, 90, 91, 92, 93;
369/84, 85

[56] References Cited

U.S. PATENT DOCUMENTS

D. 211,578 7/1968 Cottier et al. D14/106
D. 215,544 10/1969 Cervantes D14/166

OTHER PUBLICATIONS

Radio Shack Catalog: 1986; p. 81, Telephone Access.,
Item 43-114, (upper right corner).

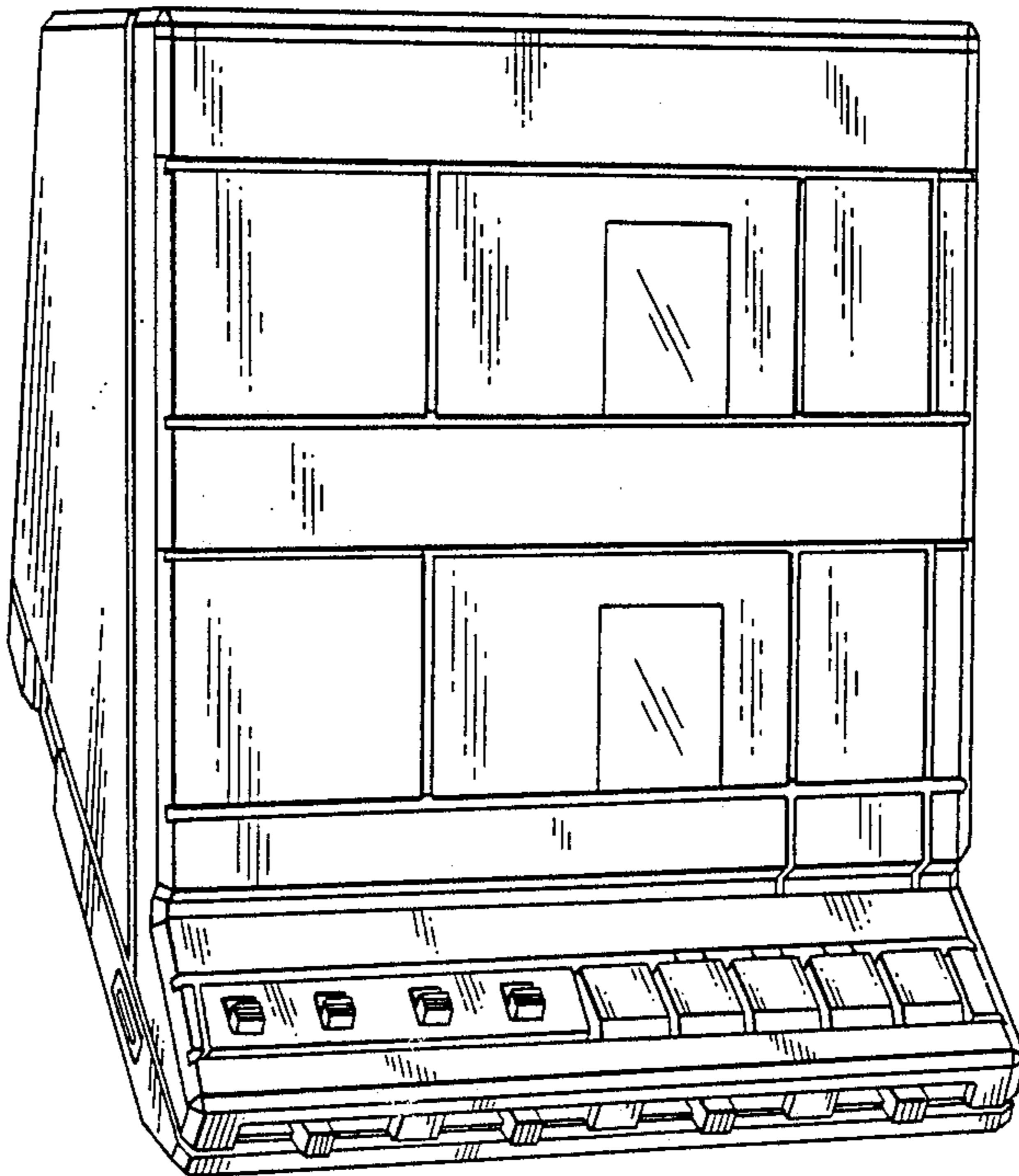
Primary Examiner—Melvin B. Feifer
Assistant Examiner—William Krawczewicz
Attorney, Agent, or Firm—Robert H. Whisker; Melvin J.
Scolnick; David E. Pitchenik

[57] CLAIM

The ornamental design for a cassette recorder, as shown
and described.

DESCRIPTION

FIG. 1 is a perspective view of a cassette recorder
showing our new design;
FIG. 2 is a top view thereof;
FIG. 3 is a front elevational view thereof;
FIG. 4 is a left side elevational view thereof;
FIG. 5 is a right side elevational view thereof;
FIG. 6 is a rear elevational view thereof; and
FIG. 7 is a bottom view thereof.



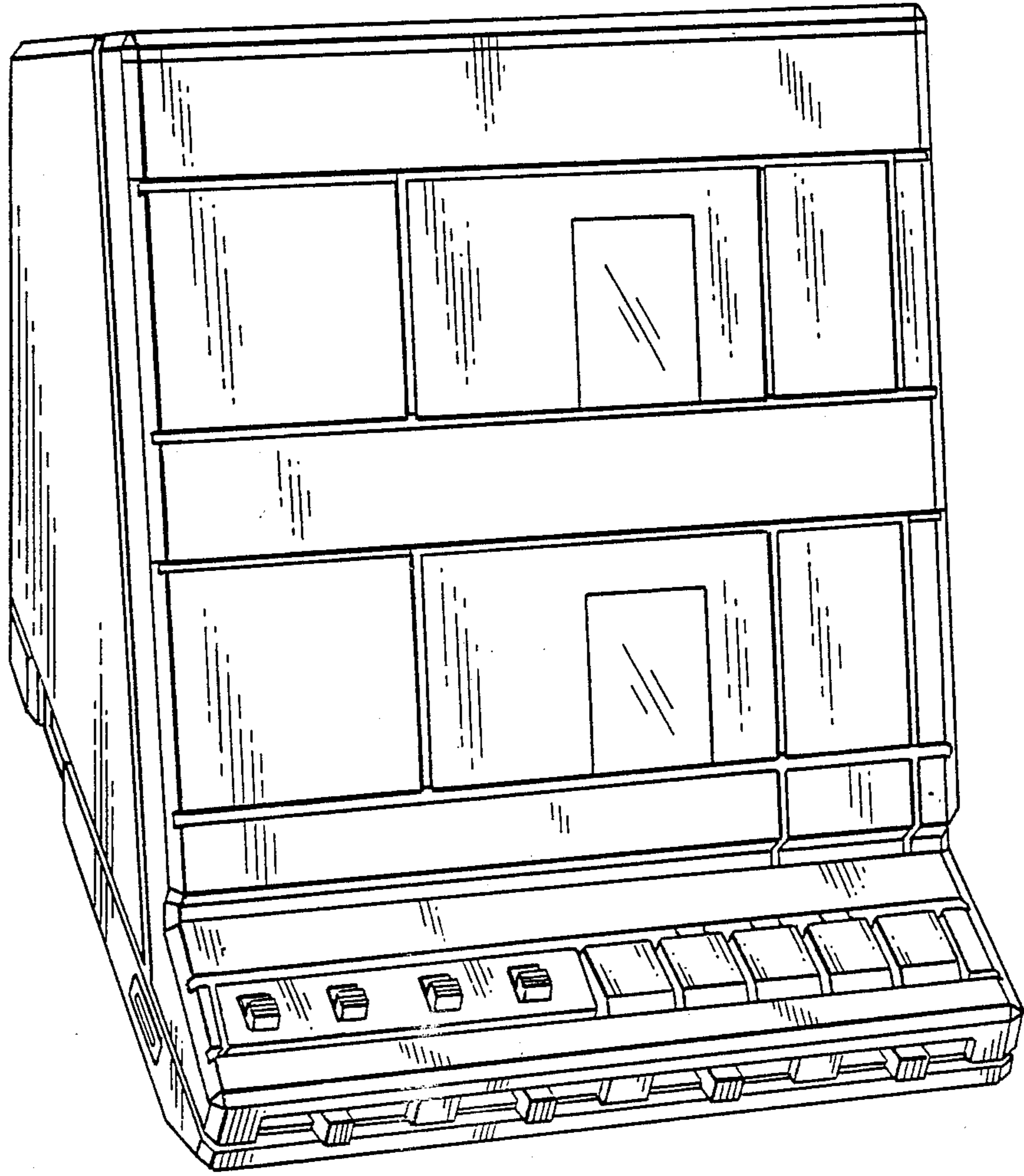


FIG. 1

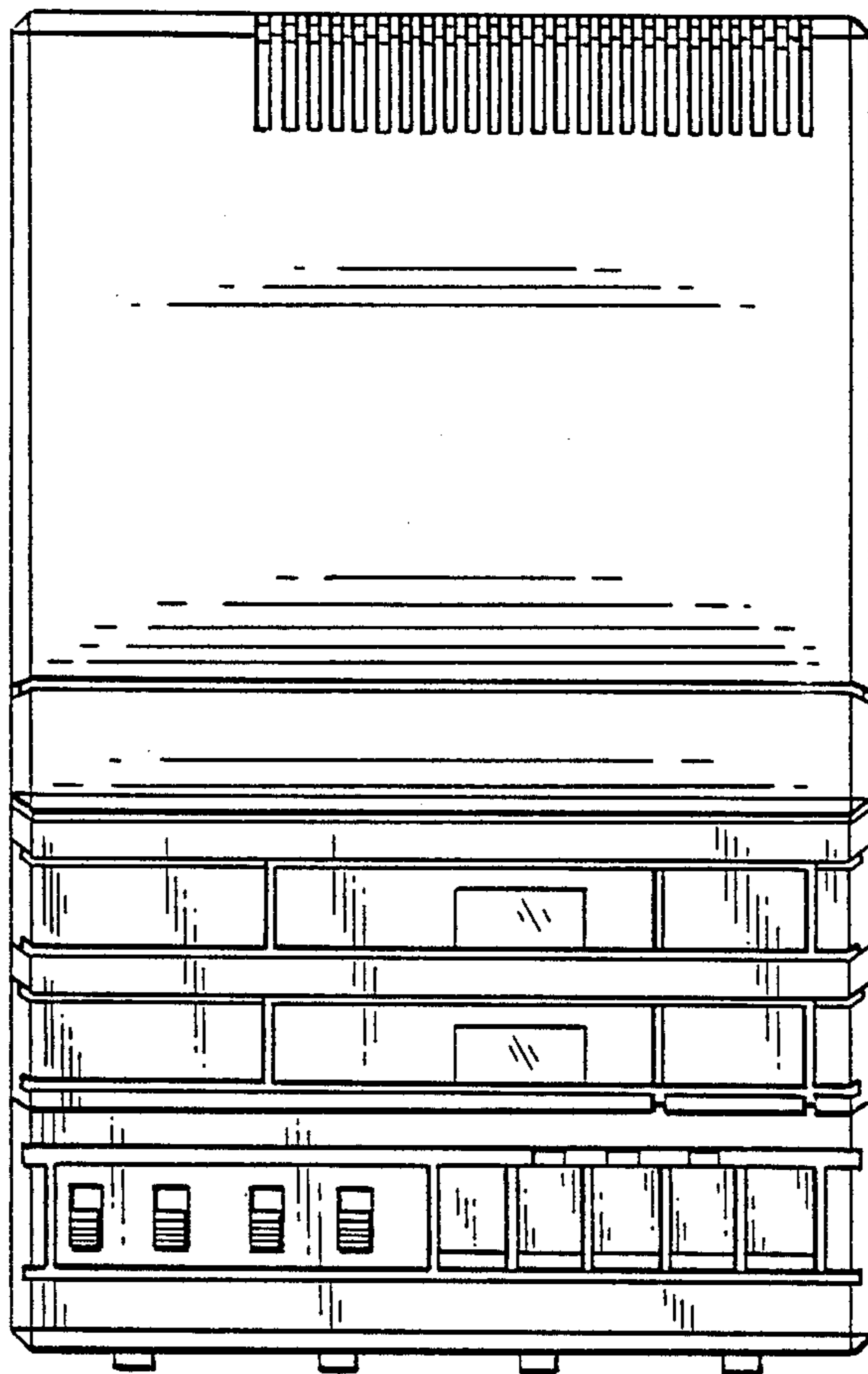


FIG. 2

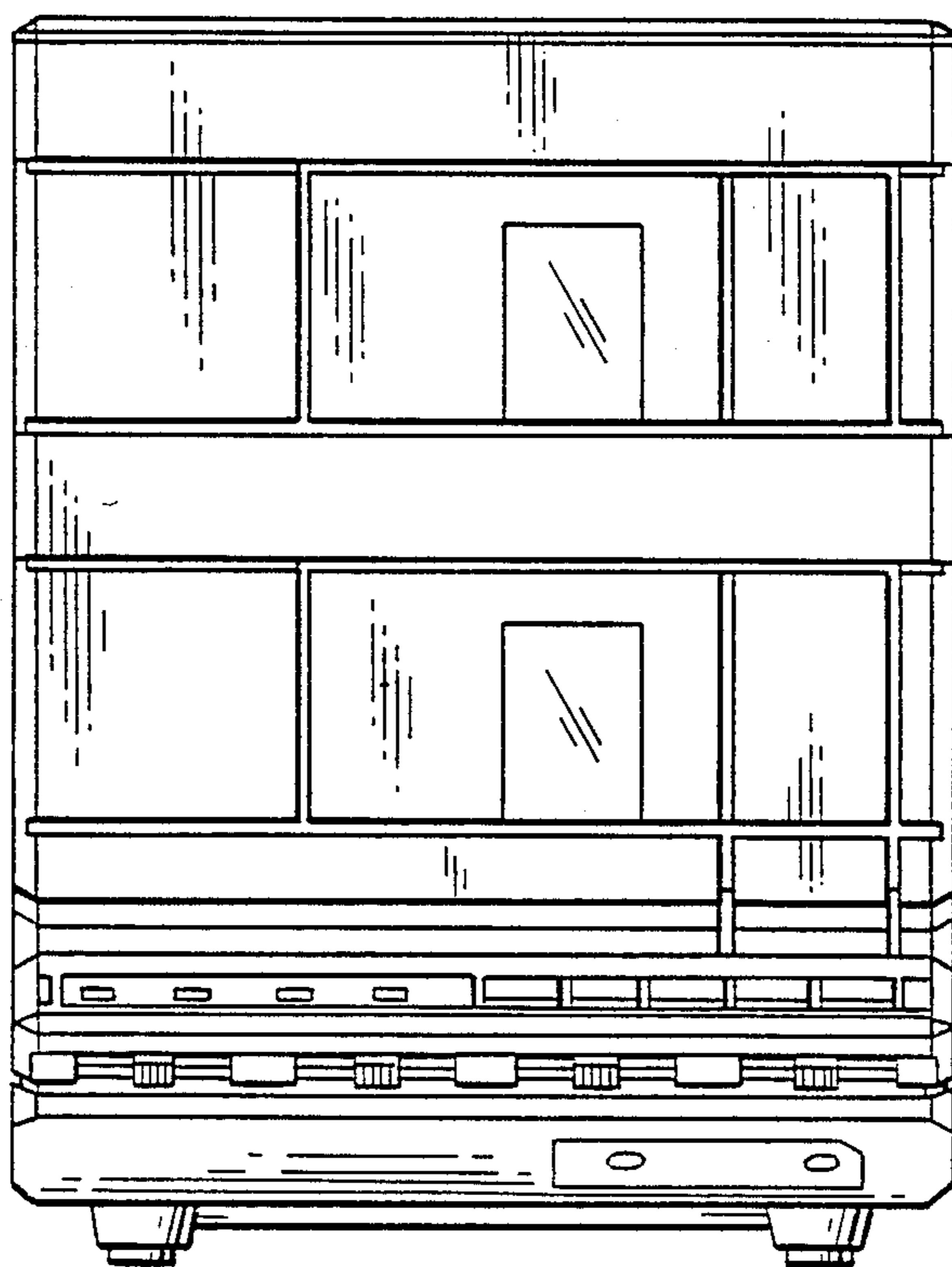


FIG. 3

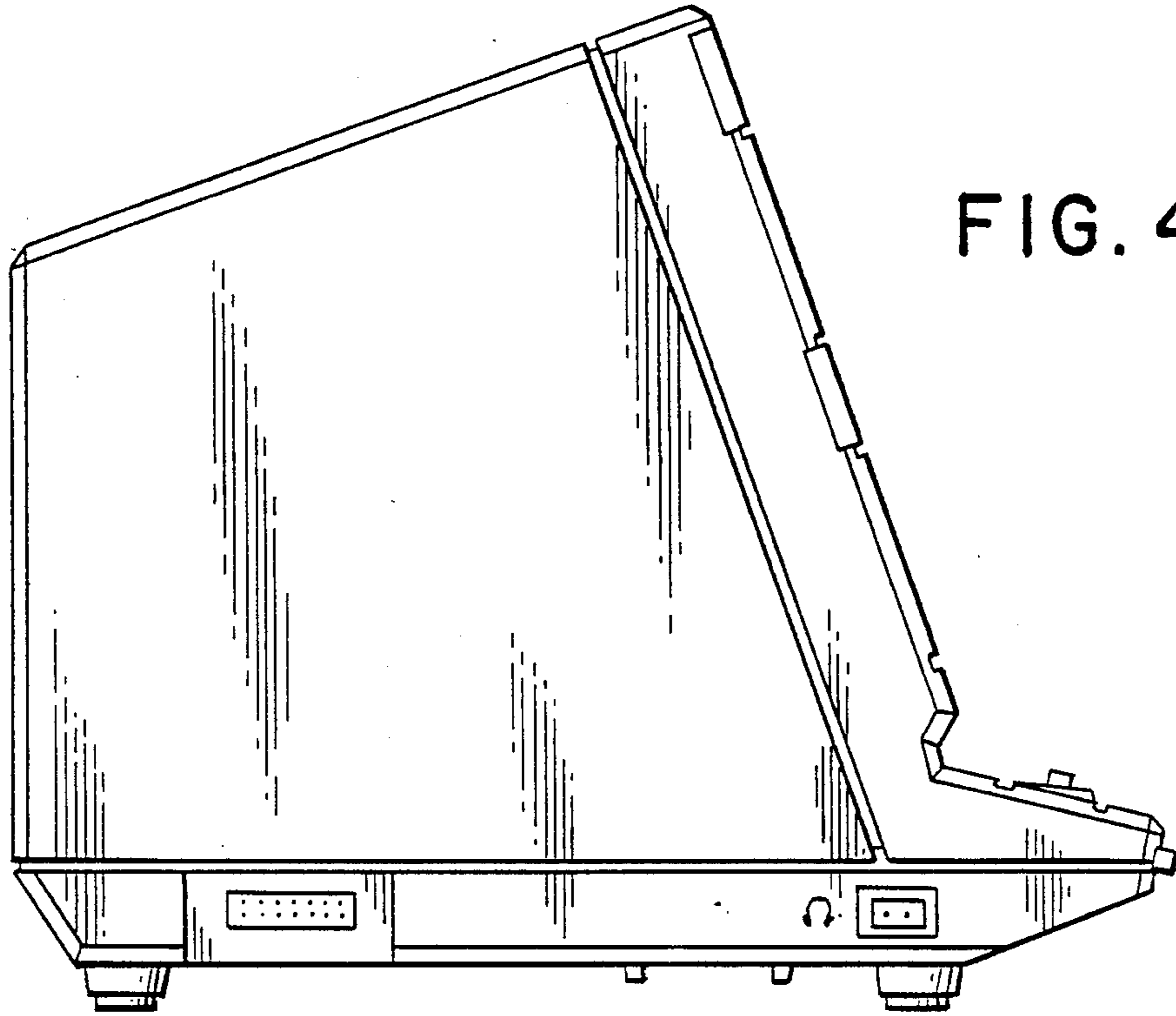
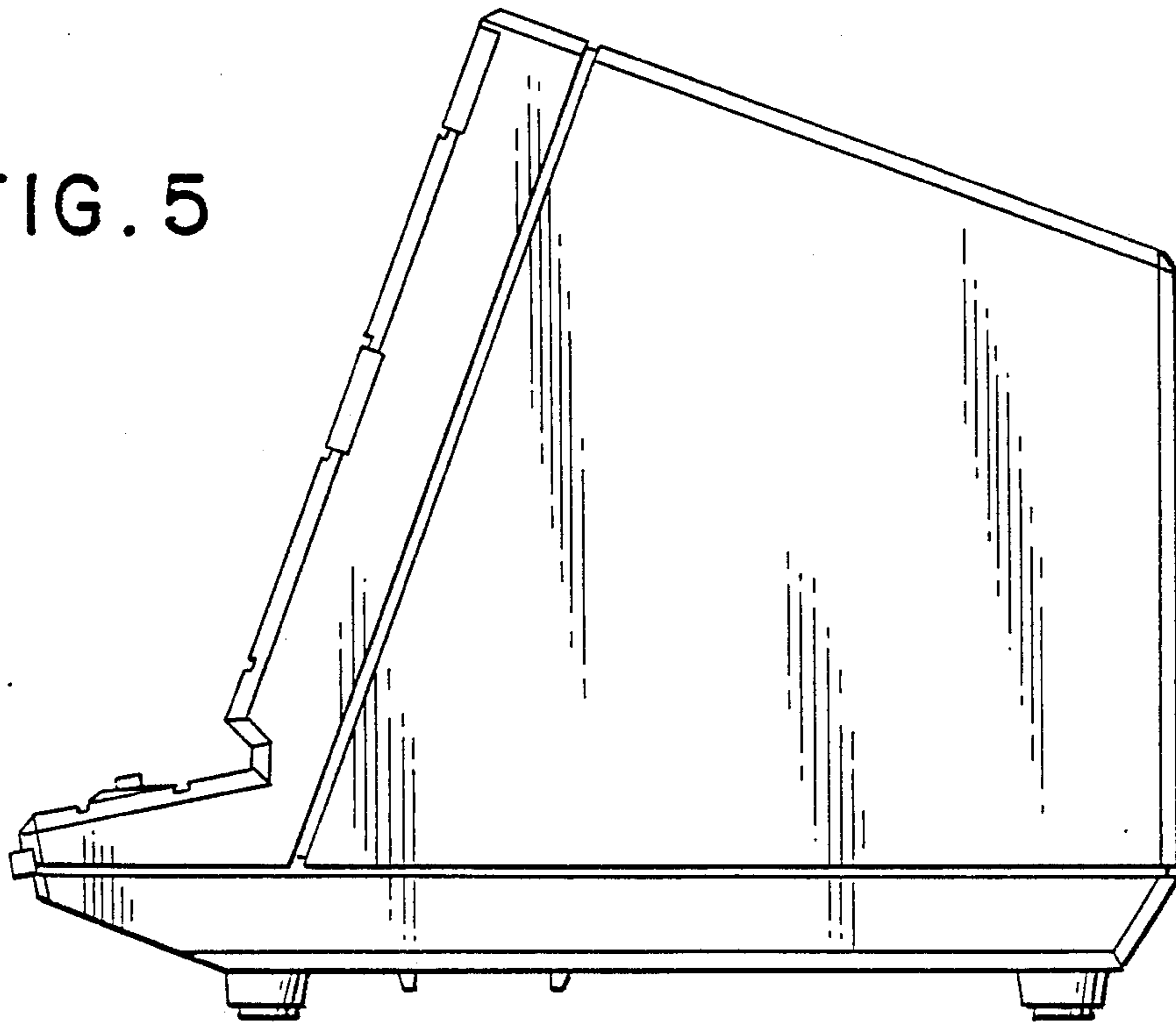


FIG. 4

FIG. 5



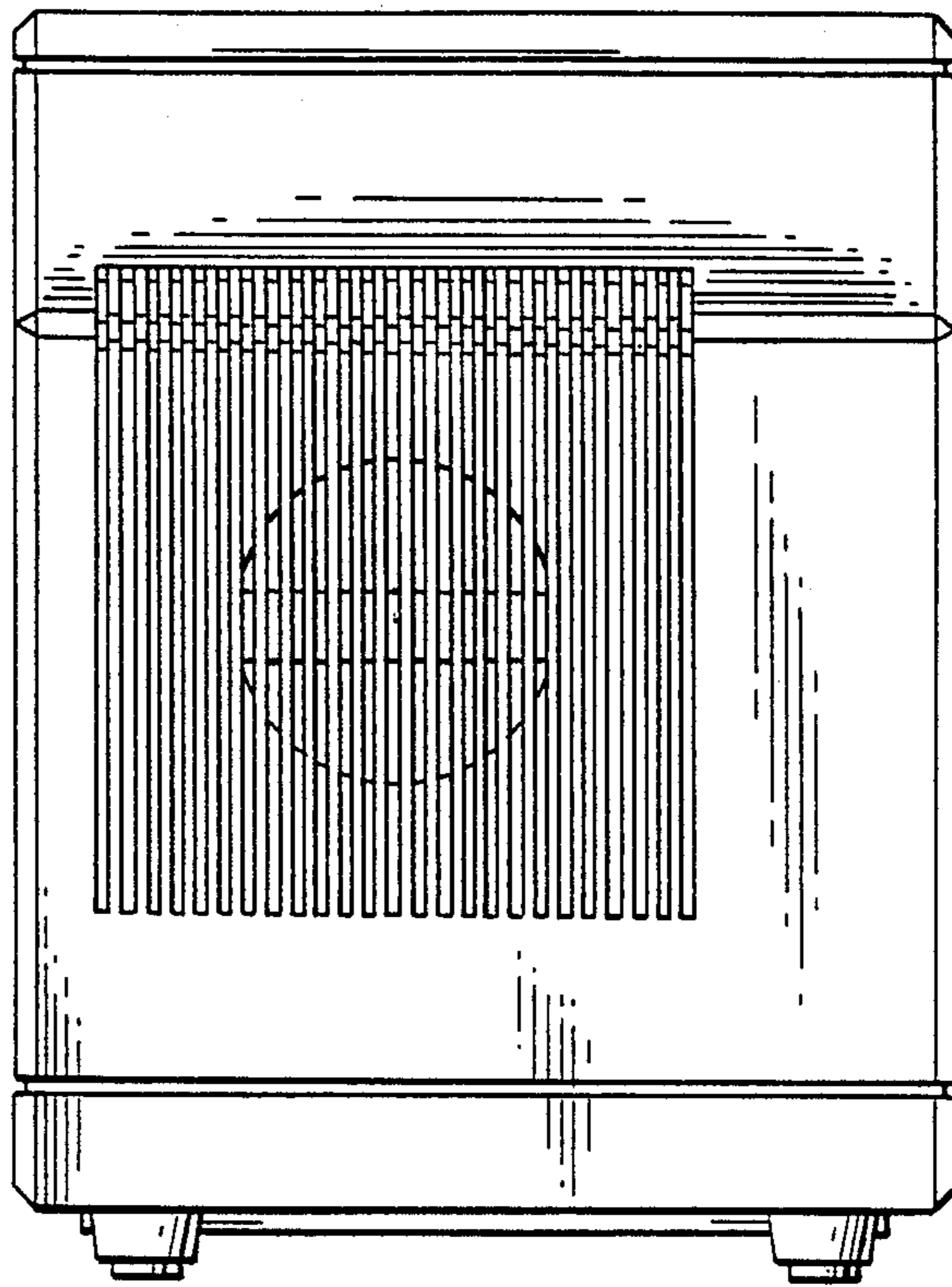


FIG. 6

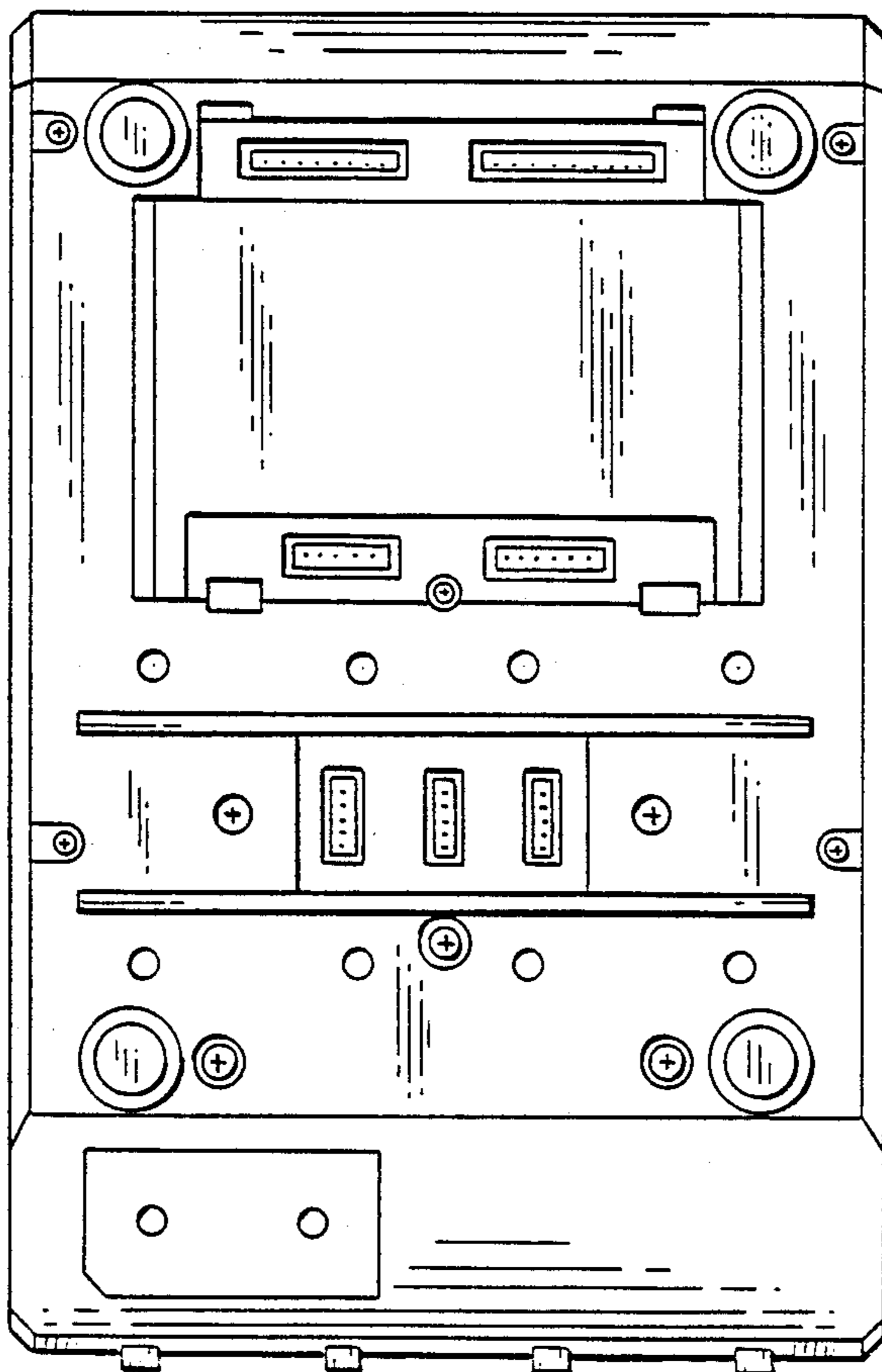


FIG. 7