

# United States Patent [19]

Adachi et al.

[11] Patent Number: **Des. 302,273**

[45] Date of Patent: **\*\* Jul. 18, 1989**

[54] **PUBLIC PAY TELEPHONE SET**

[75] Inventors: **Kenichi Adachi, Sagamihara; Shuichi Tamura, Yamato, both of Japan**

[73] Assignee: **Tamura Electric Works, Ltd., Tokyo, Japan**

[\*\*] Term: **14 Years**

[21] Appl. No.: **170,978**

[22] Filed: **Mar. 18, 1988**

[30] **Foreign Application Priority Data**

Dec. 29, 1987 [JP] Japan ..... 62-53591  
[52] U.S. Cl. .... **D14/146; D14/142; D14/151**

[58] Field of Search ..... **D14/55, 56, 61, 63, D14/62; 379/144, 52, 432, 143, 355**

[56] **References Cited**

**U.S. PATENT DOCUMENTS**

- D. 232,648 9/1974 Brass ..... D21/111
- D. 265,558 7/1982 Fox et al. .... D14/146
- D. 270,260 8/1983 Appel ..... D21/111
- D. 277,480 2/1985 Jackwicz ..... D14/146 X
- D. 284,003 5/1986 Tamura et al. .... D14/56
- D. 290,954 7/1987 Read ..... D14/146
- D. 292,092 9/1987 Rittenhouse et al. .... D14/52
- D. 293,103 12/1987 Gauffin et al. .... D14/62 X
- D. 296,890 1/1988 Wu ..... D14/53
- 3,598,920 8/1971 Fischer et al. .... 379/435
- 4,727,567 2/1988 Angelini ..... 379/52

**FOREIGN PATENT DOCUMENTS**

- 0251238 1/1988 European Pat. Off. .... 379/433
- 1462288 1/1969 Fed. Rep. of Germany ..... 379/143
- 2538978 7/1984 France ..... 379/144

- 2575016 6/1986 France ..... 379/144
- 2136617A 9/1984 United Kingdom ..... 379/52

**OTHER PUBLICATIONS**

Telephony, 1/16/84, p. 107; Anritsu Magnetic-Card Telephone.  
Telephony, 12/2/85, at p. 53: Card Phone ITT, Phillips & Brooks, Inc. Telcom Division.  
Telephony, 9/28/87: Landis & Gyr Coin Phone at p. 128.  
PGSE Off. Telecommun. J (G.B.), vol. 31, No. 3 (Autumn 1979) pp. 4-6; Micro-Processor-Controlled Payphone.

*Primary Examiner*—Horace B. Fay, Jr.  
*Attorney, Agent, or Firm*—Townsend & Townsend

[57] **CLAIM**

The ornamental design for a public pay telephone set, as shown and described.

**DESCRIPTION**

FIG. 1 is a front and right perspective view of the upright stand, and the operative inner surface of the handset, of a public pay telephone set showing our new design spaced apart for facility of illustration;  
FIG. 2 is a front elevational view thereof in cradled relationship;  
FIG. 3 is a right side elevational view of the telephone set as shown in FIG. 2;  
FIG. 4 is a top plan view thereof of the telephone set as shown in FIG. 2;  
FIG. 5 is a left side elevational view thereof;  
FIG. 6 is a rear elevational view of the telephone set as shown in FIG. 2; and,  
FIG. 7 is a bottom plan view thereof with the cord omitted for convenience of illustration.

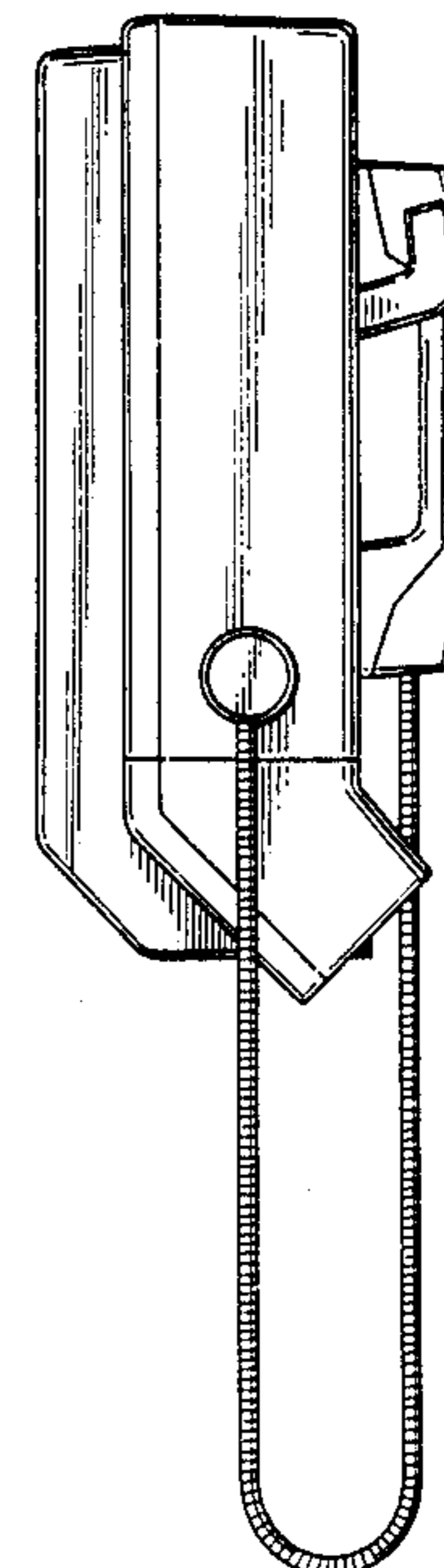
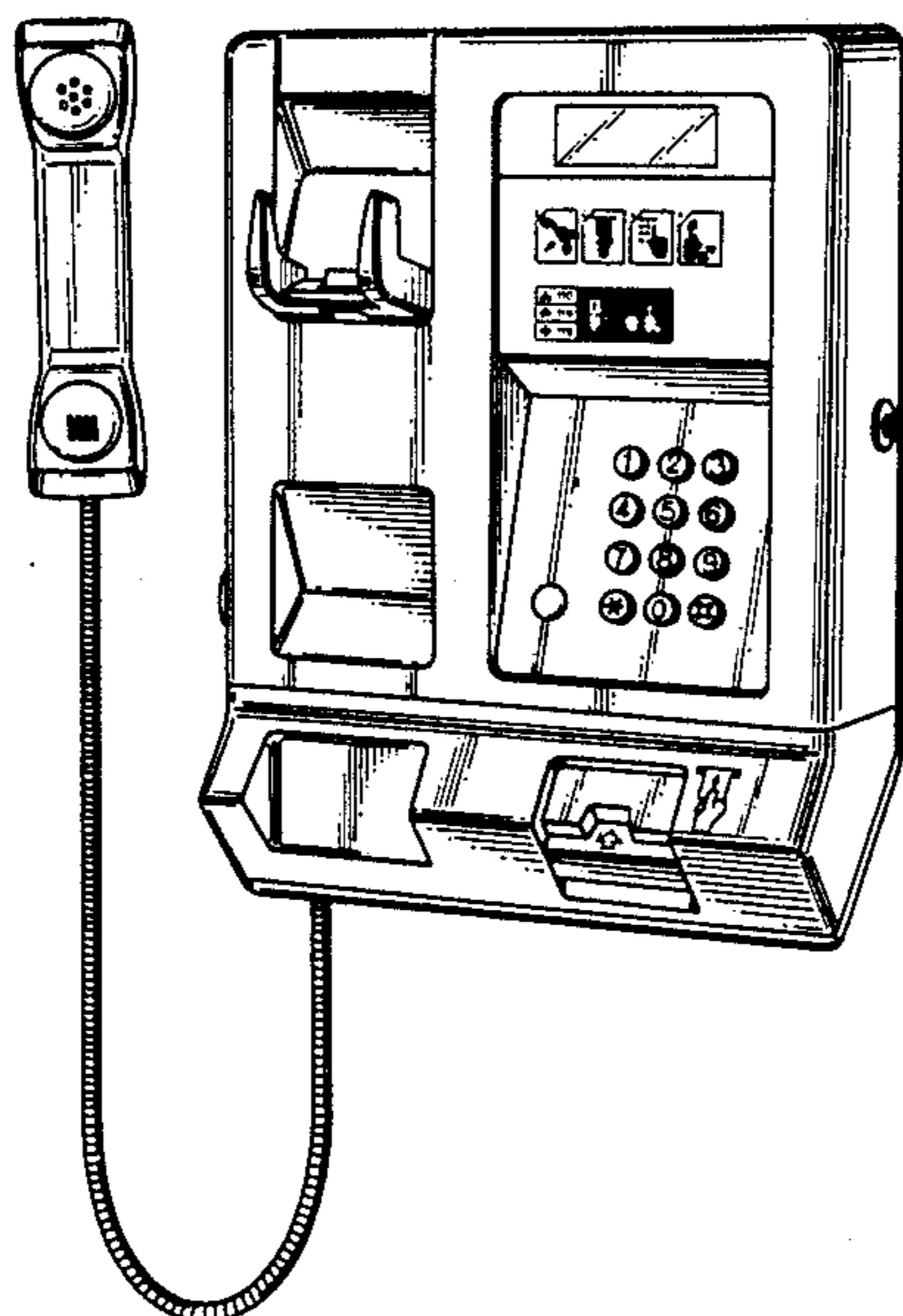


FIG. 1

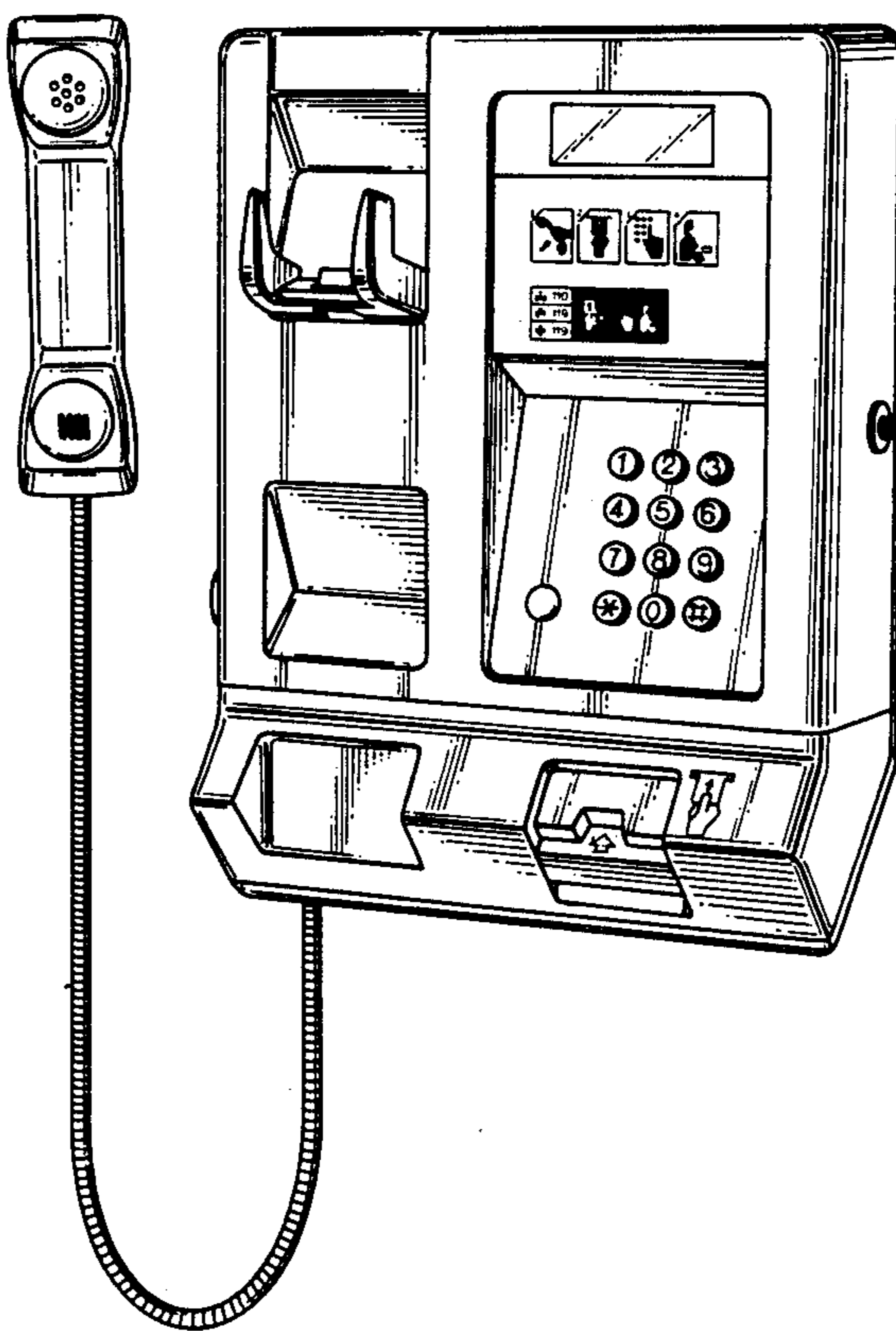


FIG.2

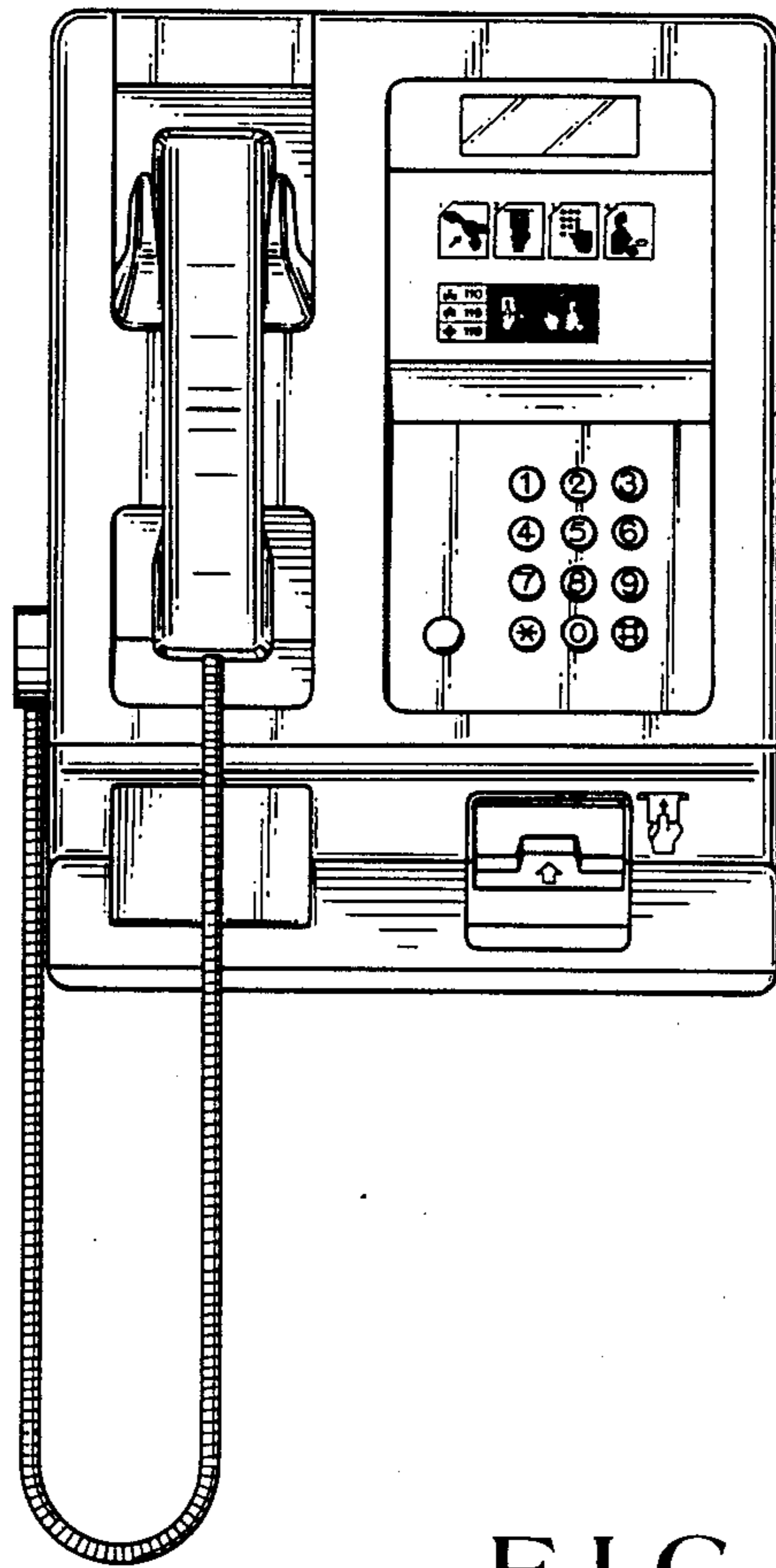


FIG.3

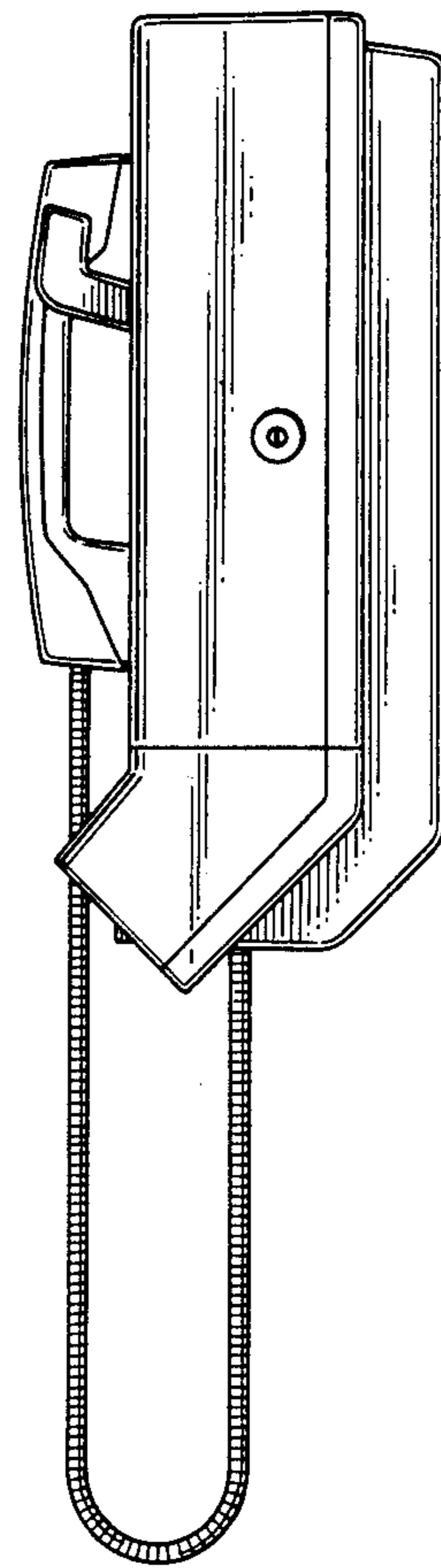


FIG.4

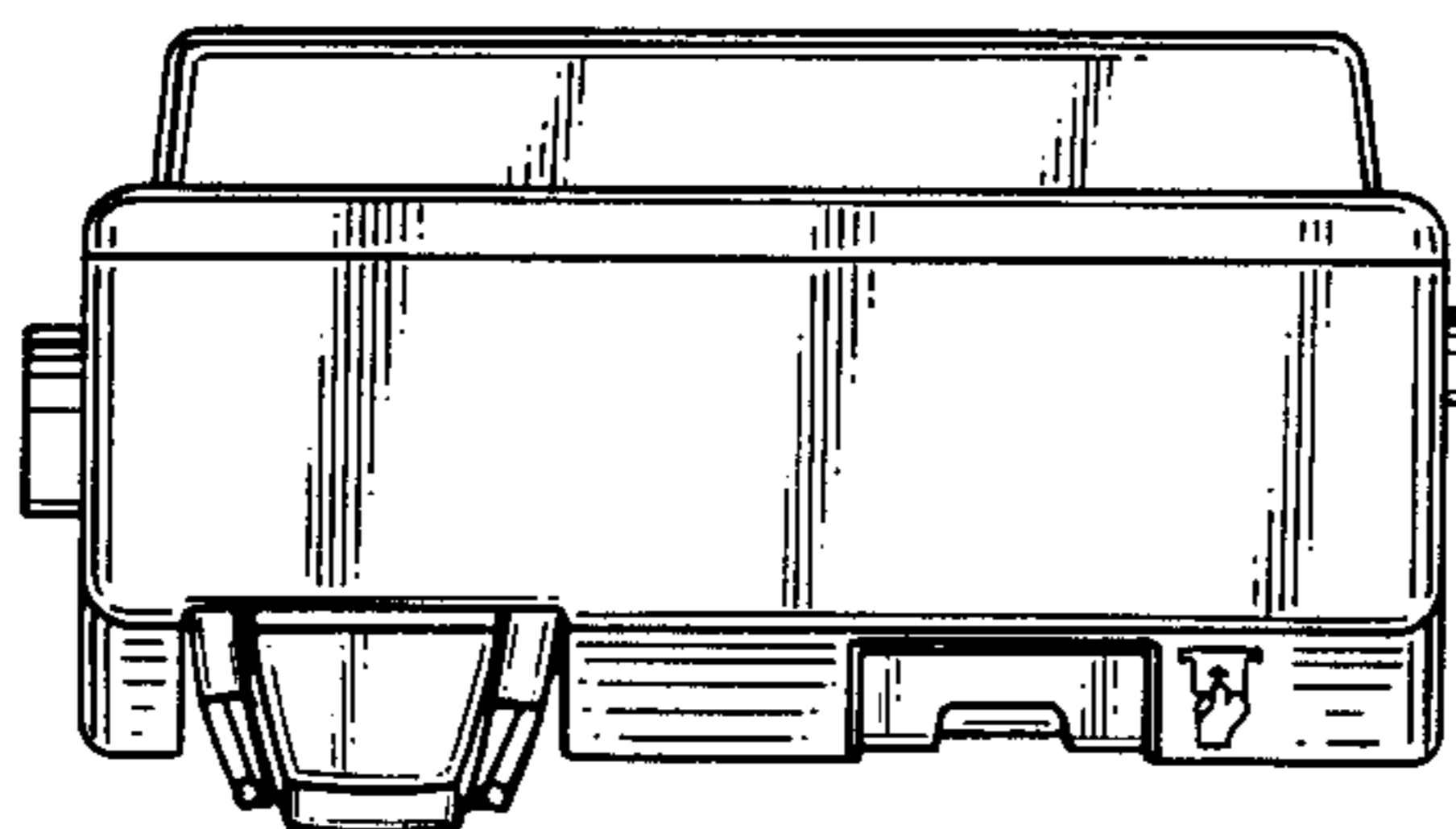


FIG.5

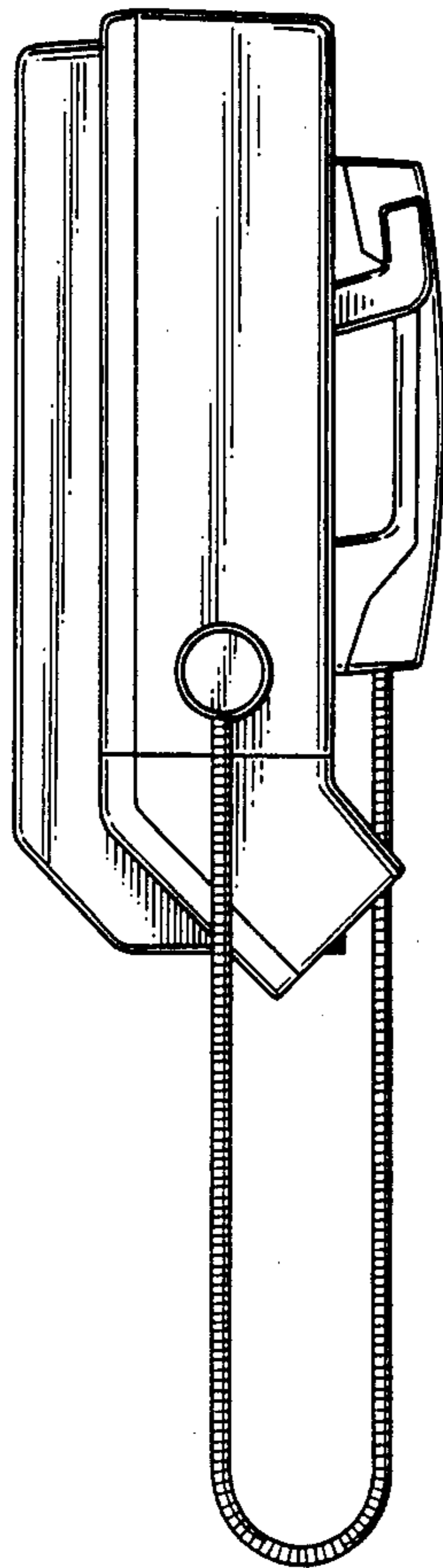


FIG.6

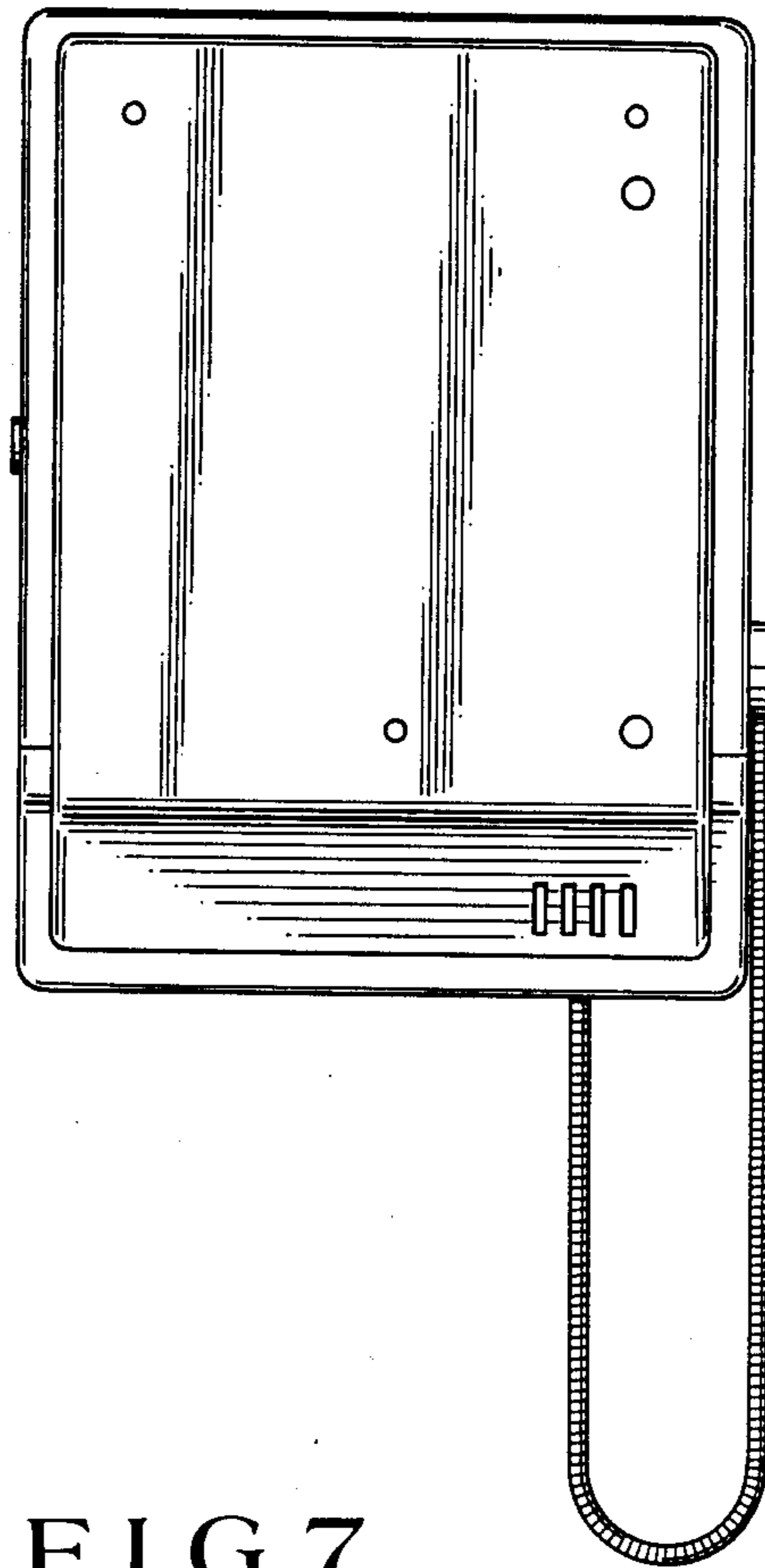


FIG.7

