

United States Patent [19]

Sharp, Jr.

[11] Patent Number: **Des. 302,272**

[45] Date of Patent: **** Jul. 18, 1989**

[54] TELEPHONE BASE

[75] Inventor: James M. Sharp, Jr., Corinth, Miss.

[73] Assignee: Alcatel Business Systems, Inc.,
Corinth, Miss.

[**] Term: 14 Years

[21] Appl. No.: 133,514

[22] Filed: Dec. 16, 1987

[52] U.S. Cl. D14/142; D14/149

[58] Field of Search D14/53, 60, 63, 62,
D14/142; 379/430, 436, 440, 419, 428, 434

[56] **References Cited**

U.S. PATENT DOCUMENTS

D. 211,472	6/1968	Dreyfuss	D14/53
D. 211,738	7/1968	Dreyfuss	D14/53
D. 216,427	1/1970	Dreyfuss et al.	D14/142
D. 225,746	1/1973	Federico	D14/141
D. 274,427	6/1984	Fredrickson	D14/53
D. 280,098	8/1985	McGarvey et al.	D14/149
D. 283,420	4/1986	Reichenstein	D14/60 X
D. 283,618	4/1986	Douda et al.	D14/142
D. 287,362	12/1986	Henhouse et al.	D14/53

D. 295,283	4/1988	Hentschel	D14/53 X
3,384,718	5/1968	Wilder	D14/53 X

Primary Examiner—Horace B. Fay, Jr.

Attorney, Agent, or Firm—Peter C. Van Der Sluys

[57] **CLAIM**

The ornamental design for a telephone base, as shown and described.

DESCRIPTION

FIG. 1 is a front, top and right side perspective view of a telephone base showing my new design;

FIG. 2 is a right side elevational view thereof, the left side being a mirror image;

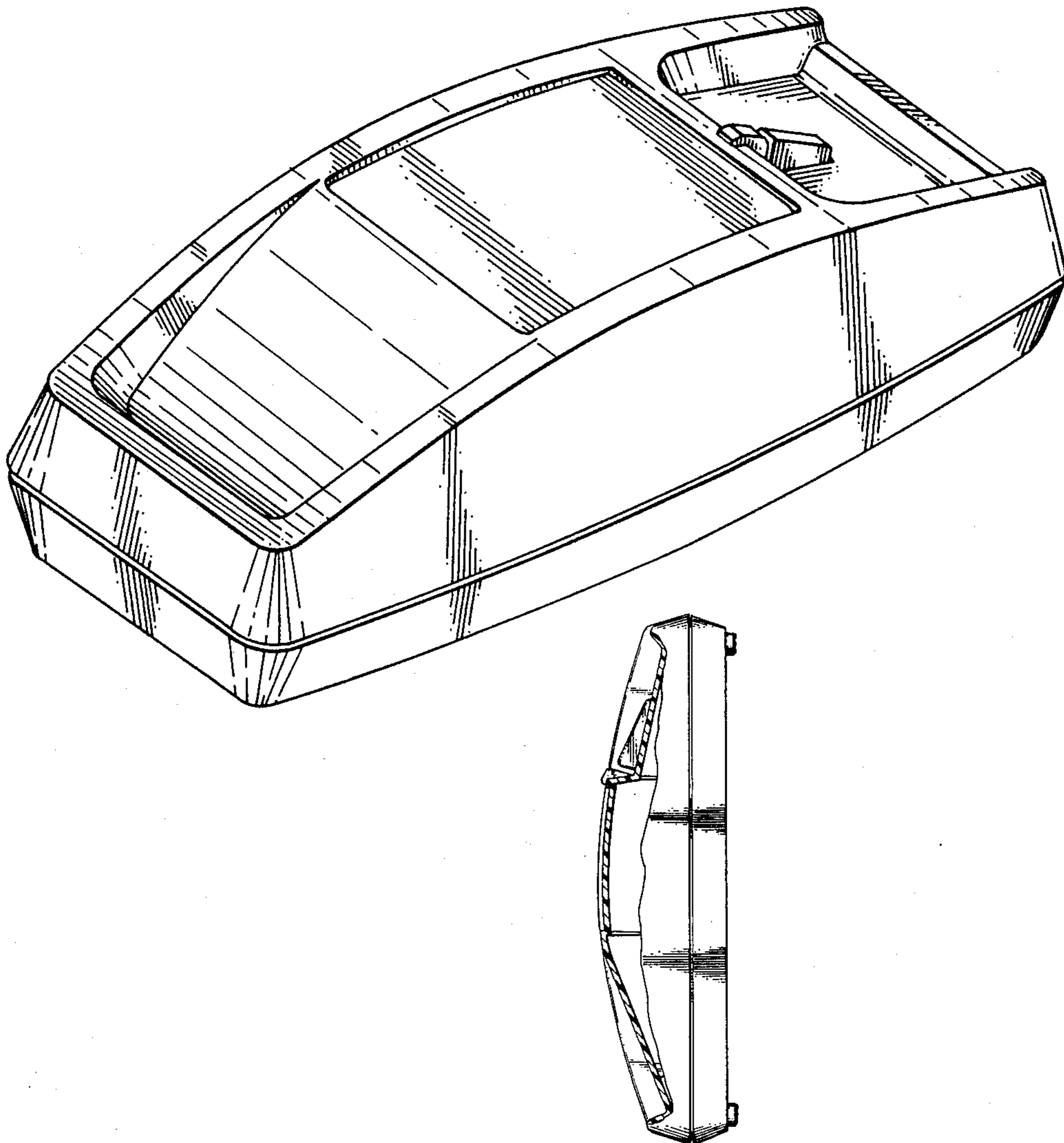
FIG. 3 is a top plan view thereof;

FIG. 4 is a right side elevational view with a portion broken away for purposes of illustration; and

FIGS. 5 and 6 are respectively a first and second end elevational view thereof.

The left side of the telephone is a mirror image of the right side elevations shown in FIGS. 2 and 4. The bottom of the telephone base is plain.

The broken line showing of a handset in FIG. 2 is for illustrative purposes only and forms no part of the claimed design.



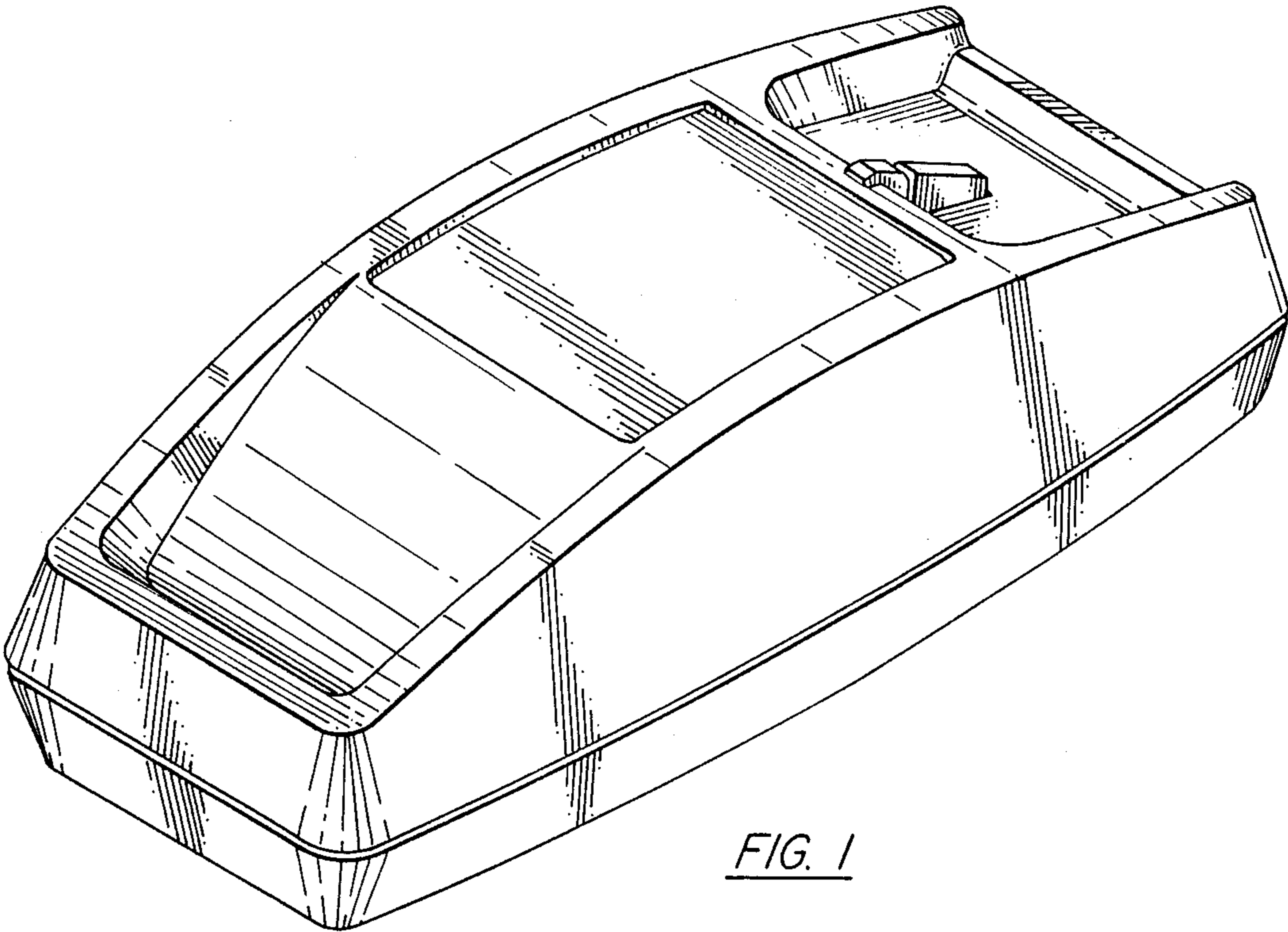


FIG. 1

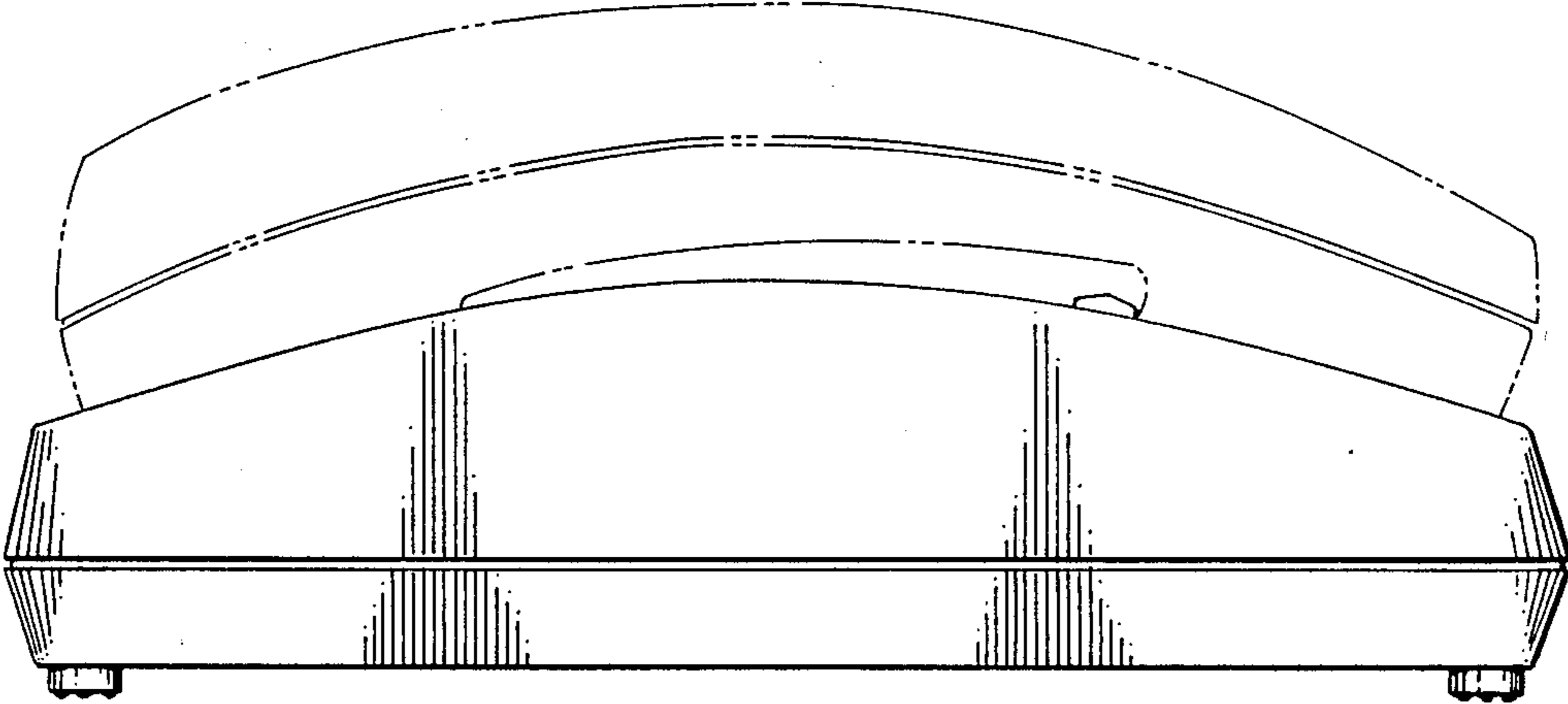


FIG. 2

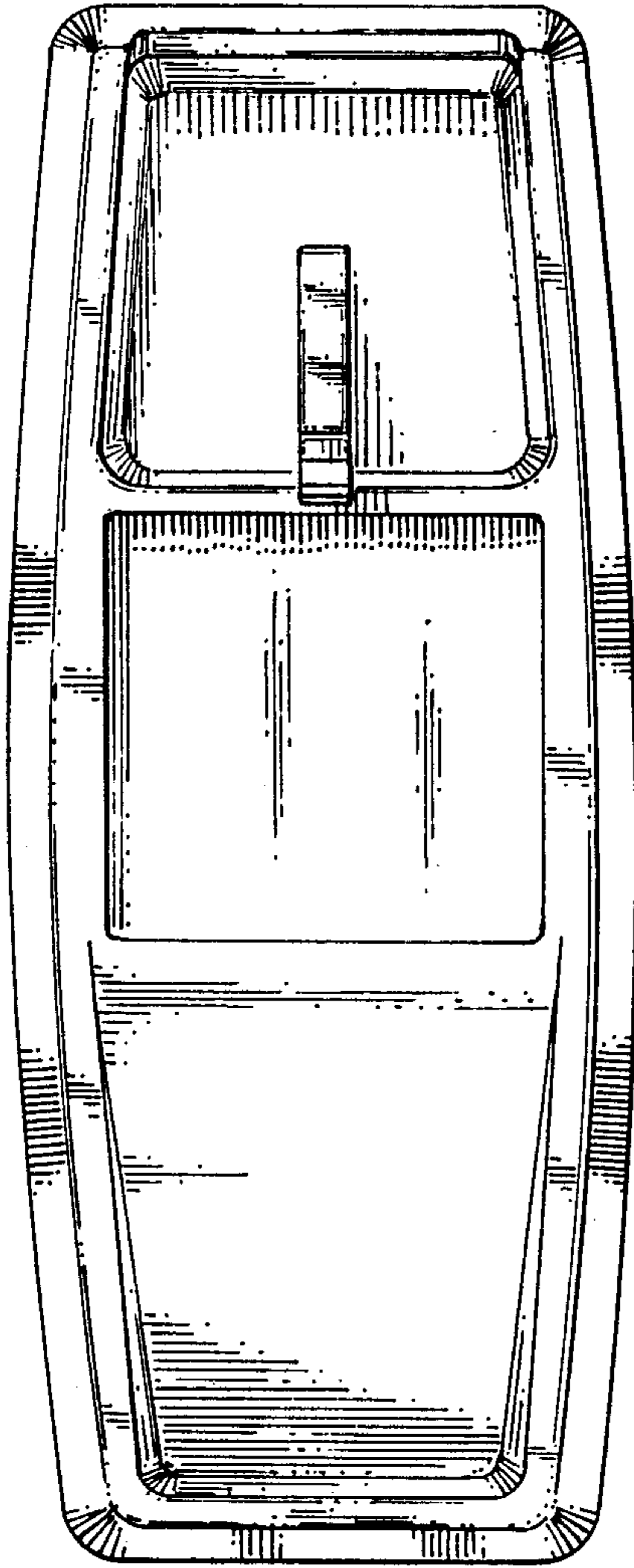


FIG. 3

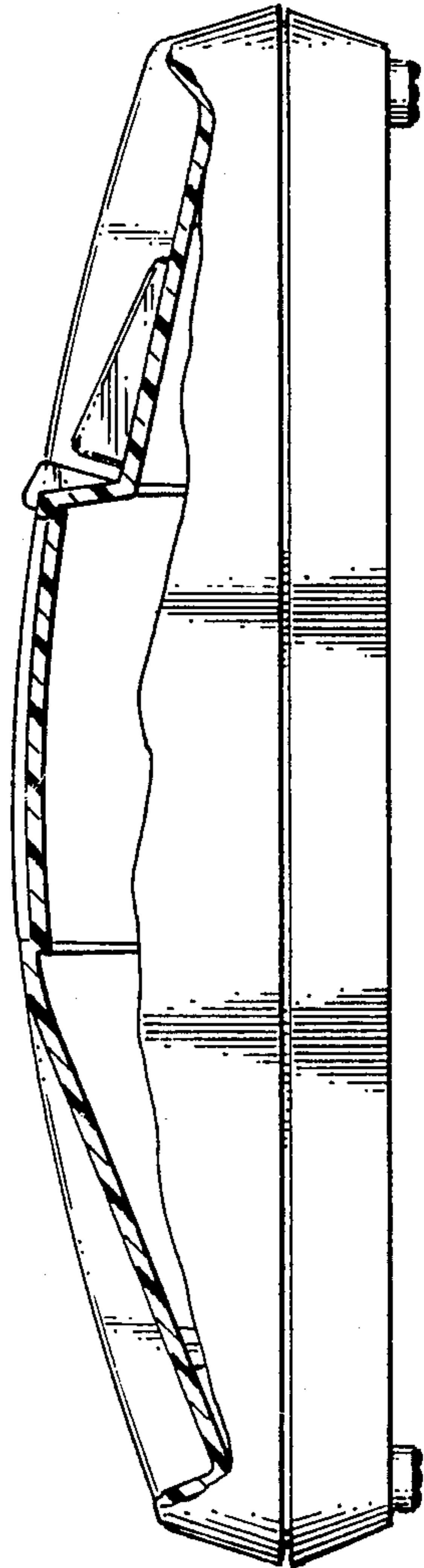


FIG. 4

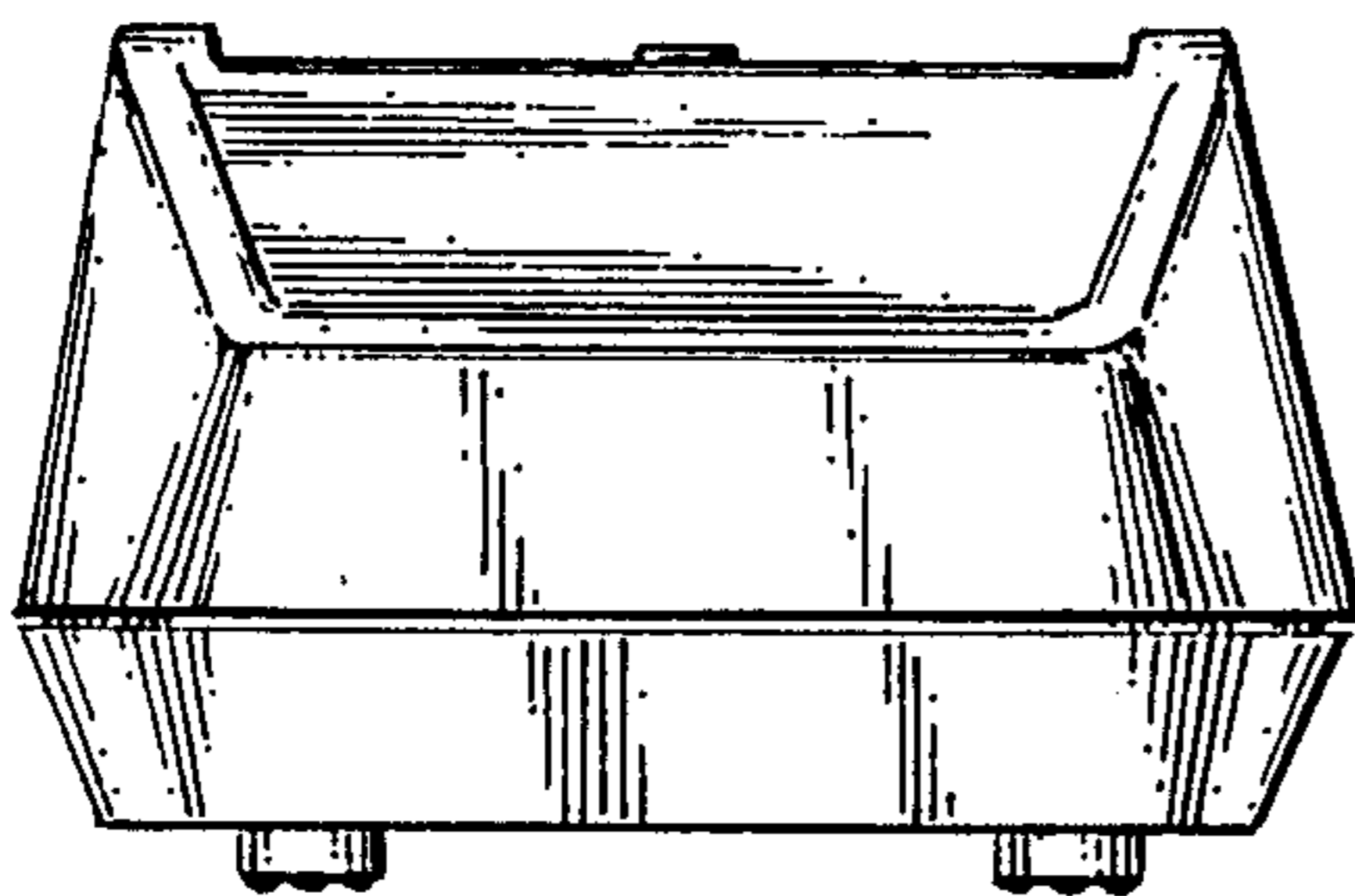


FIG. 5

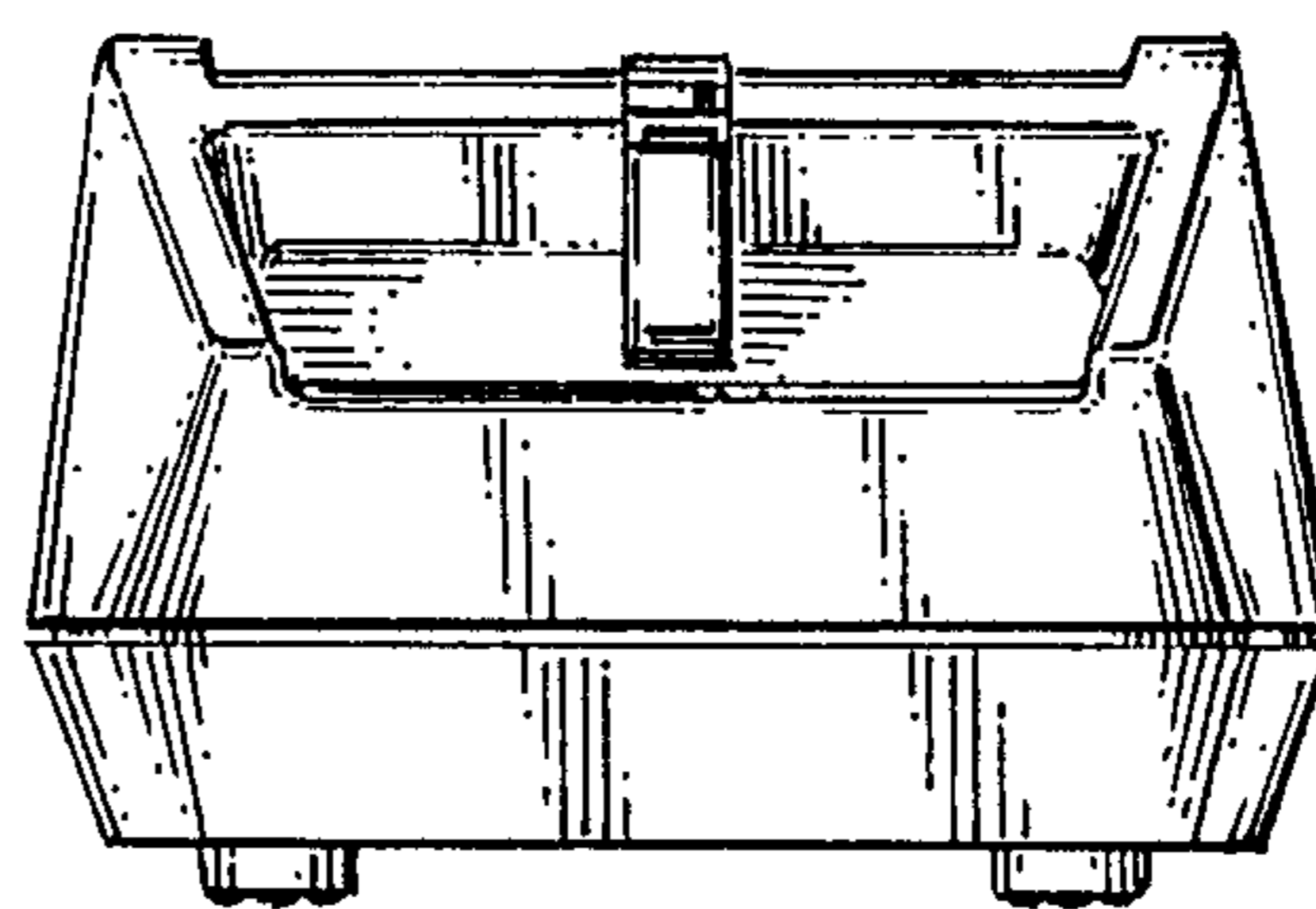


FIG. 6