

[54] PORTABLE COMPUTER HOUSING

[75] Inventors: Donald M. Genaro, Haworth; Thomas J. Kelly, Colts Neck; Stephen G. Miggels, Wyckoff, all of N.J.; Gordon E. Sylvester, Jamaica, N.Y.

[73] Assignees: American Telephone and Telegraph Company, New York, N.Y.; AT&T Information Systems Inc., Morristown, N.J.

[**] Term: 14 Years

[21] Appl. No.: 894,638

[22] Filed: Aug. 8, 1986

[52] U.S. Cl. D14/106; D14/100

[58] Field of Search D14/100, 101, 106, 111; 174/50, 52 R; 364/708; 340/700; 312/208

[56] References Cited

U.S. PATENT DOCUMENTS

- D. 278,861 5/1985 Hasuike D3/72
- D. 280,622 9/1985 Moggridge et al. D14/100
- D. 282,843 3/1986 Kurihara D14/100
- D. 283,511 4/1986 Dunn D14/106
- D. 290,256 6/1987 Sapper D14/106
- D. 294,029 2/1988 Nishiyama et al. D14/106
- D. 294,831 3/1988 Hara et al. D14/106
- D. 295,519 5/1988 Kimble D14/106
- 4,497,036 1/1985 Dunn 364/708
- 4,527,149 7/1985 Swensen 340/365 R
- 4,769,764 9/1988 Levanon 364/708

OTHER PUBLICATIONS

Form 111 103-1983, p. 47-(portable Computer at top of page).

Business Week, Apr. 14, 1986, Advertisement for Zenith Z-171 PC.

Electronic Design, Sep. 5, 1985, Computer Systems, "Portable computer is IBM PC-compatible," p. 199.

Business Week, Sep. 2, 1985, Advertisement for the Panasonic Exec. Partner.

Primary Examiner—Susan J. Lucas

Assistant Examiner—Freda S. Nunn

Attorney, Agent, or Firm—Frederick B. Luludis

[57] CLAIM

The ornamental design for a portable computer housing, as shown and described.

DESCRIPTION

FIG. 1 is a right, front, top perspective view of a portable computer housing embodying our new design; FIGS. 2, 3, 4 and 5 are respectively front, left side, right side and rear elevation views thereof;

FIGS. 6 and 7 are respectively bottom and top plan views thereof;

FIG. 8 is a bottom plan view thereof with the handle shown in a carrying position;

FIG. 9 is a right side elevation view thereof;

FIG. 10 is a right, front, top perspective view of the portable computer housing of FIG. 1 with the top, front section of the housing opened to a viewing position and rear cover plate rotated to a pedestal position;

FIGS. 11, 12, 13 and 14 are respectively front, left side, right side and rear elevation views of the housing as shown in FIG. 10;

FIGS. 15 and 16 are respectively bottom and top plan views of the housing as shown in FIG. 10; and

FIG. 17 is a right, front, top perspective view of the housing as shown in FIG. 10 with the front, top section tilted to an alternate position.

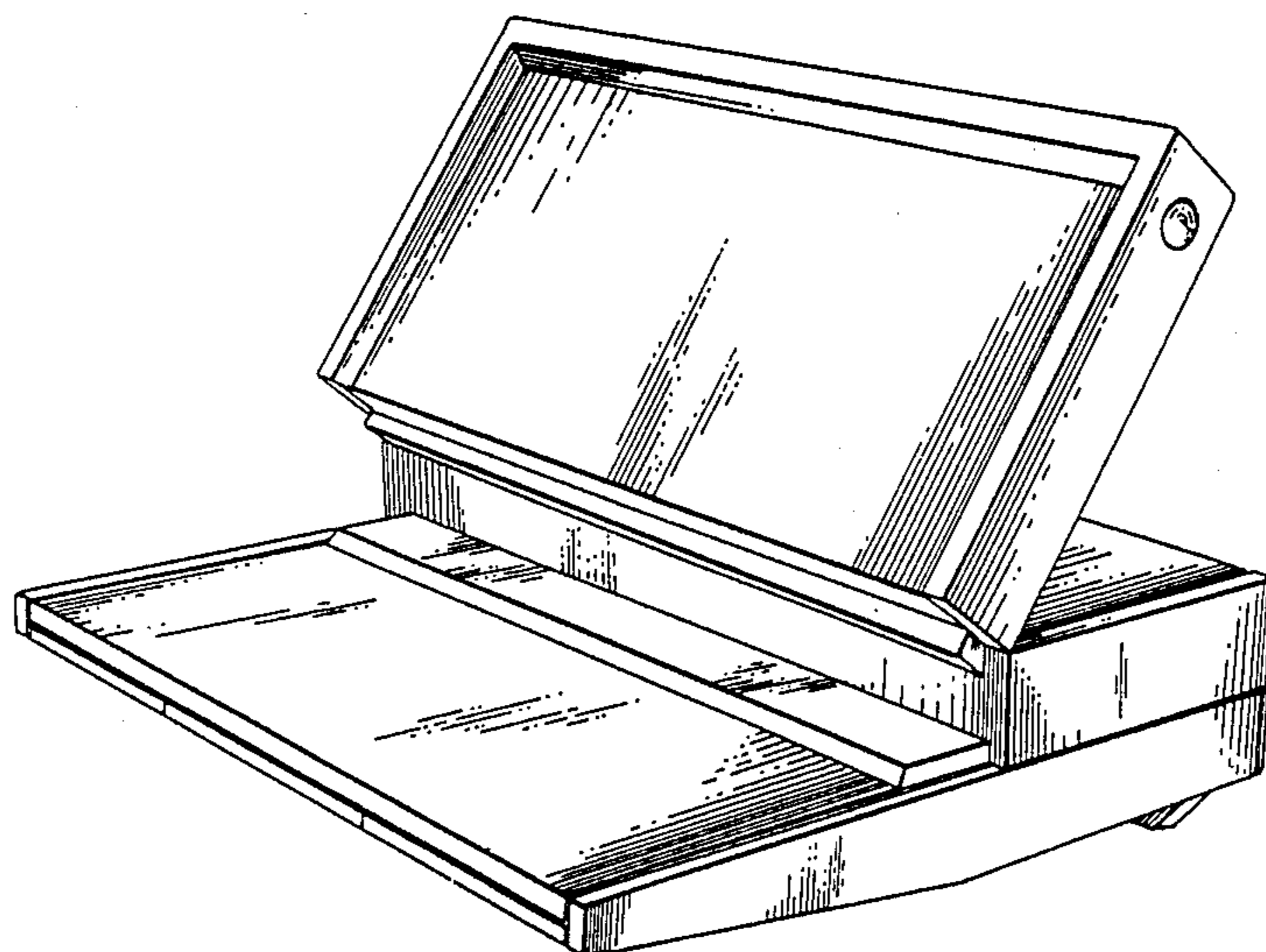


FIG. 1

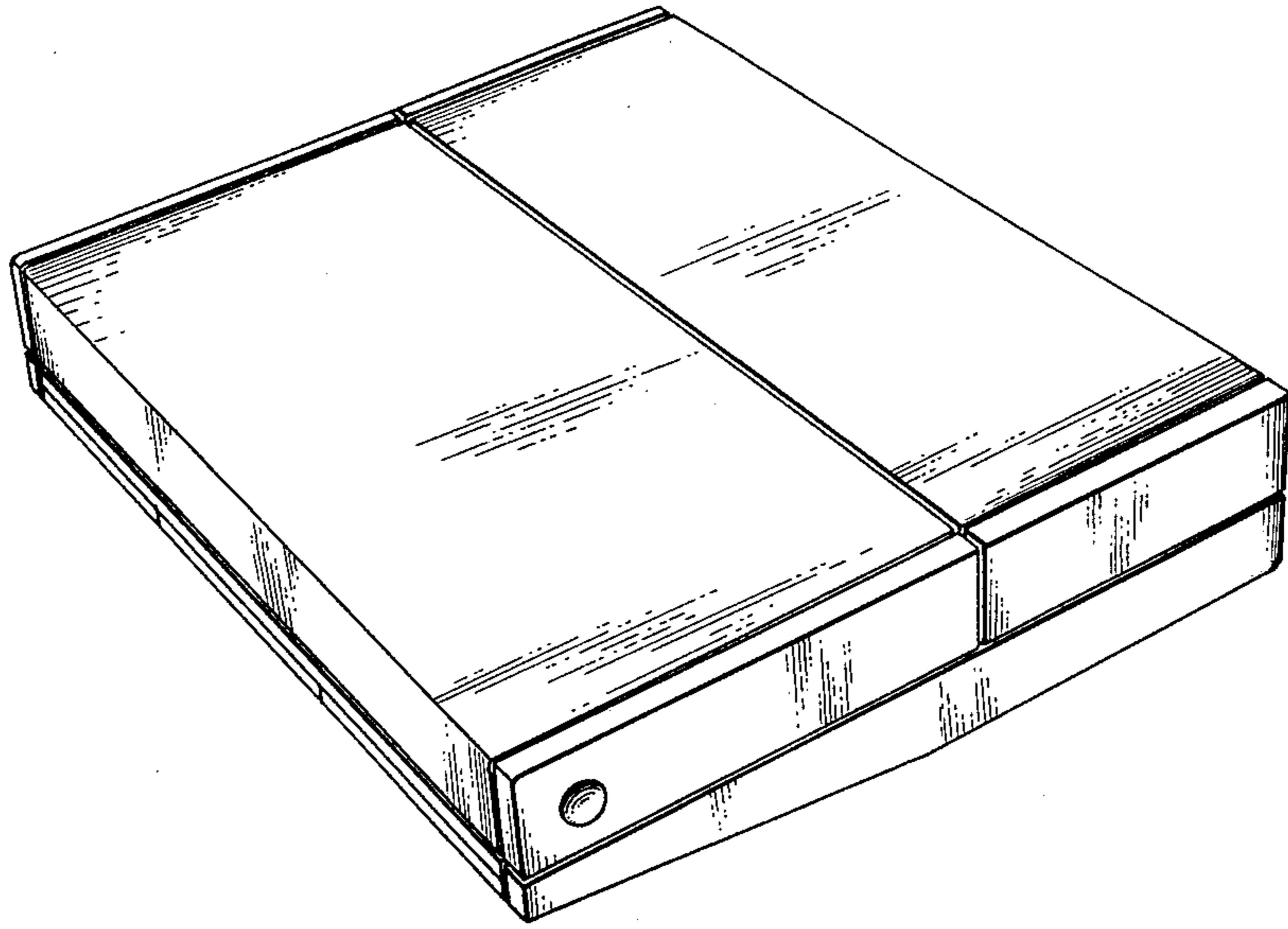


FIG. 2

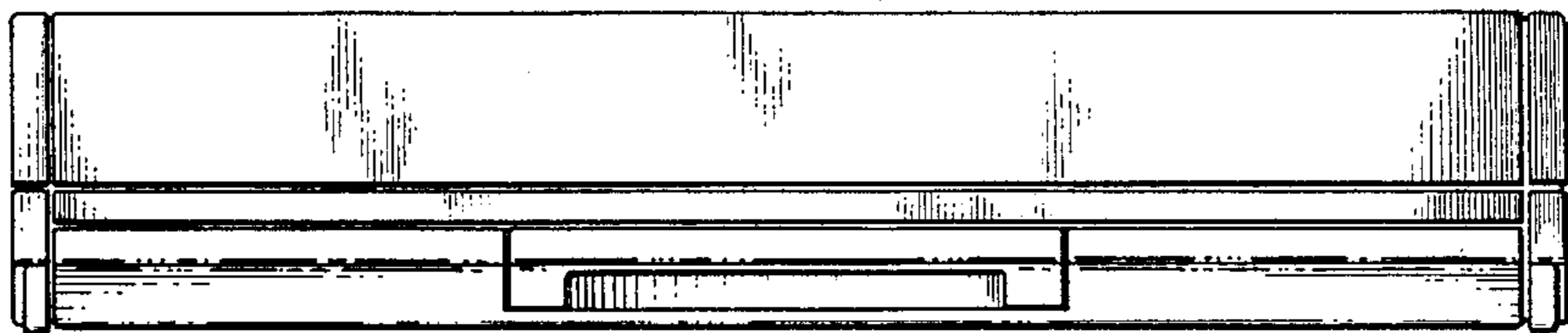


FIG. 3

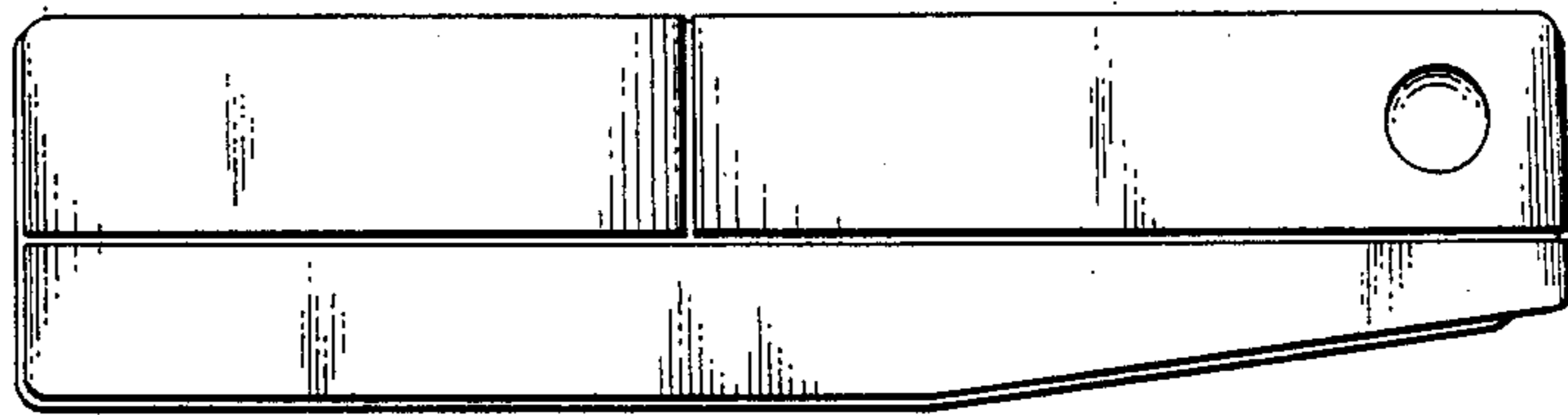


FIG. 4

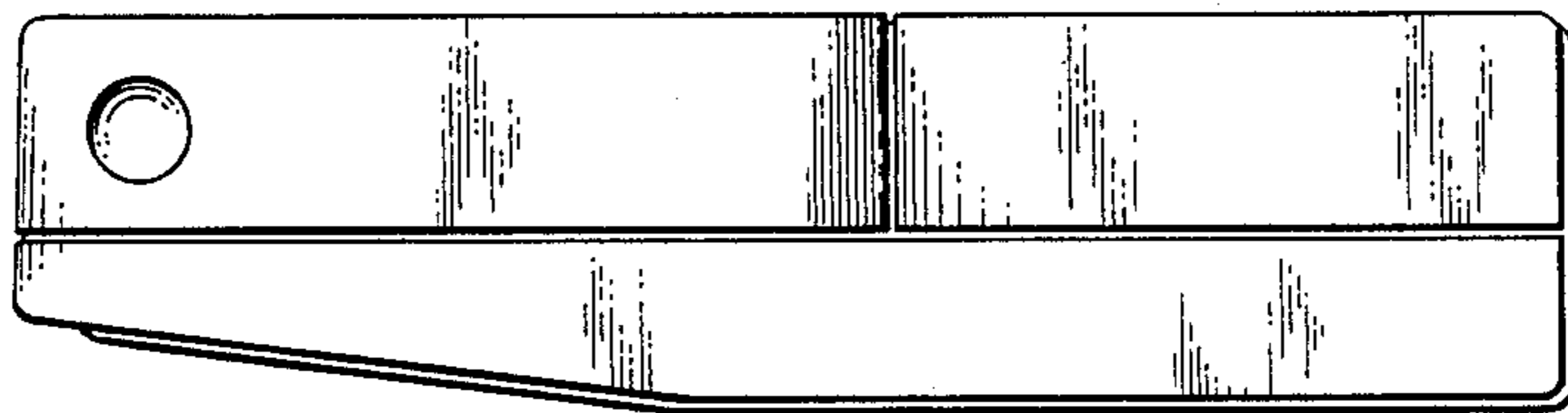


FIG. 5

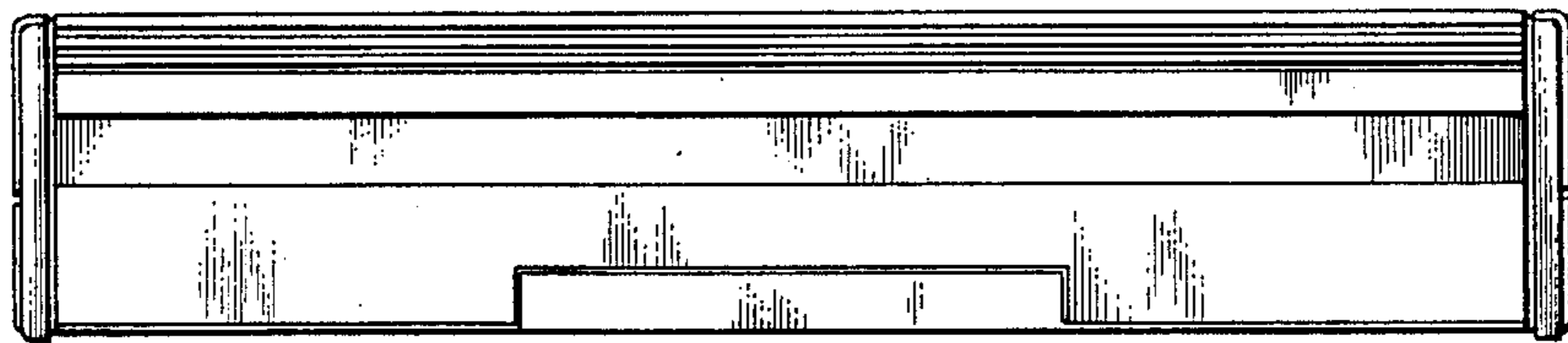


FIG. 6

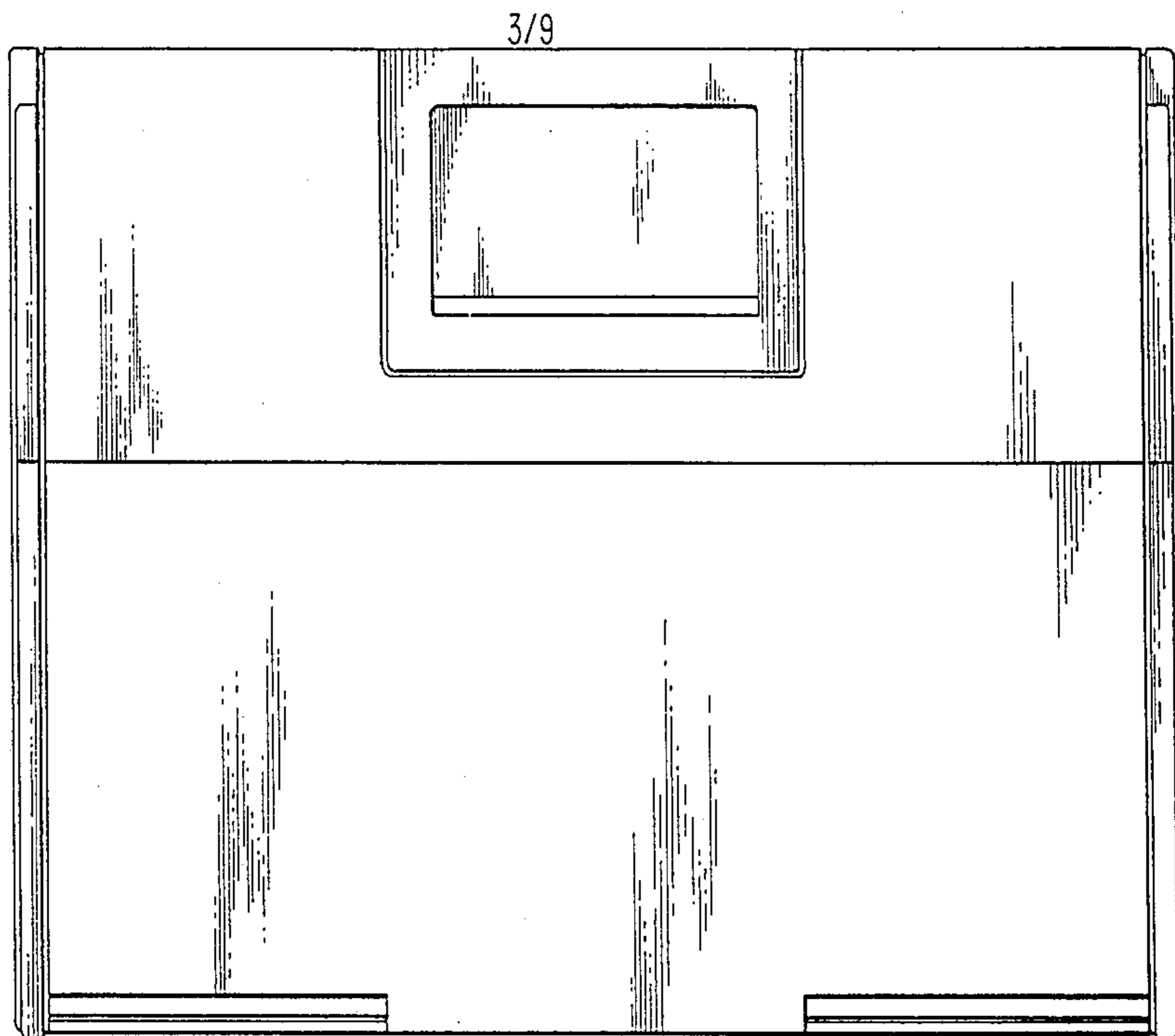


FIG. 7

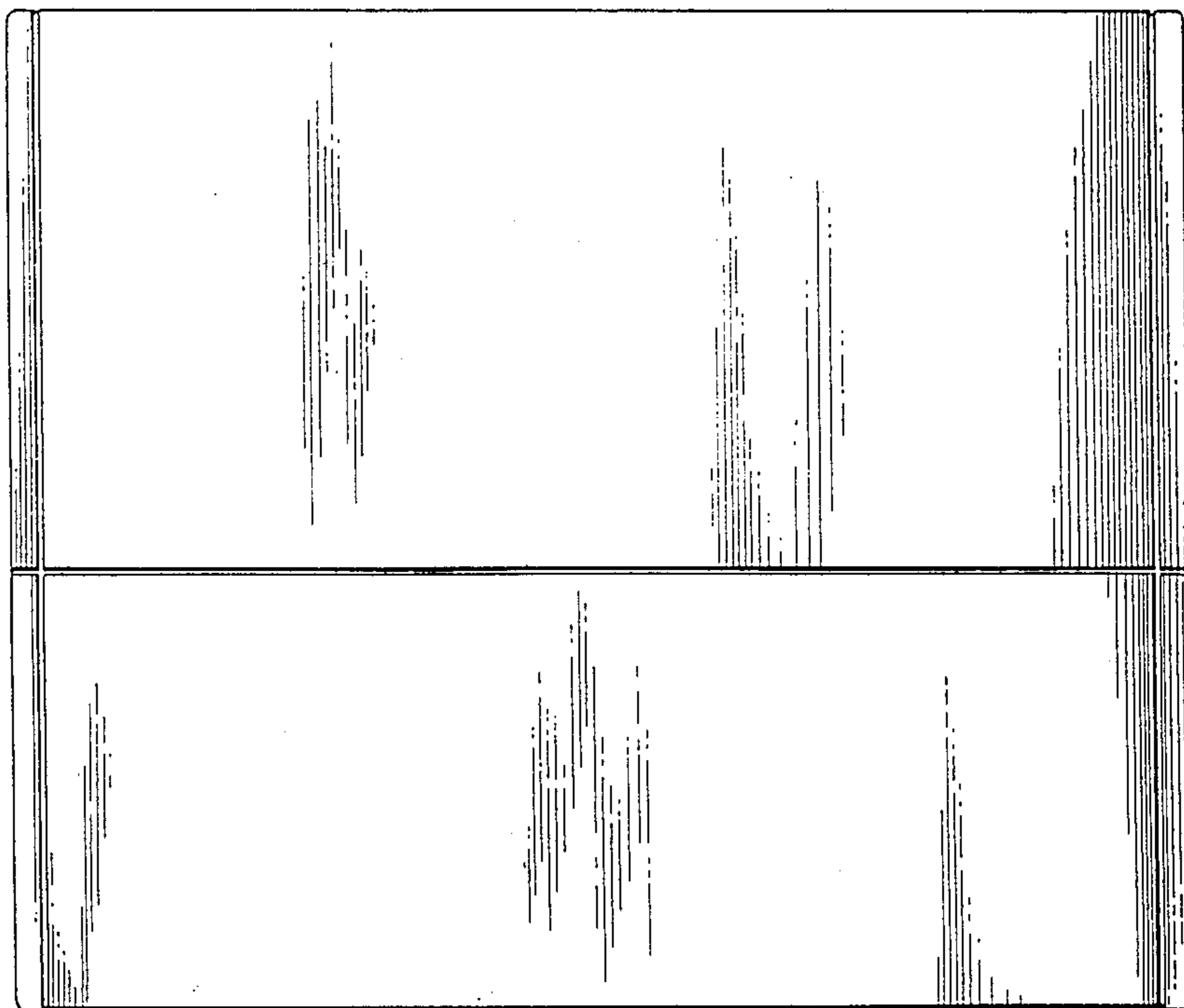


FIG. 8

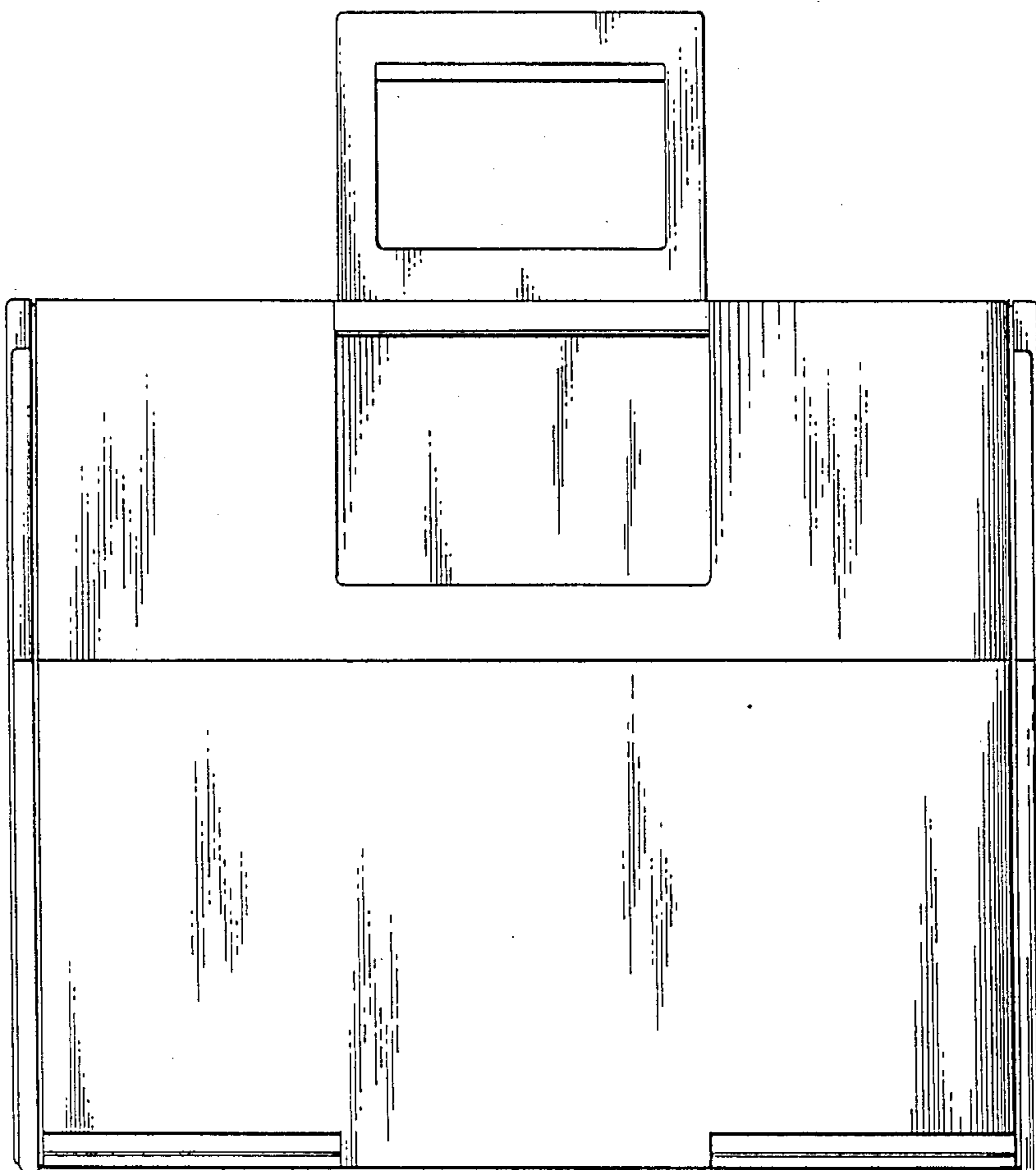


FIG. 9

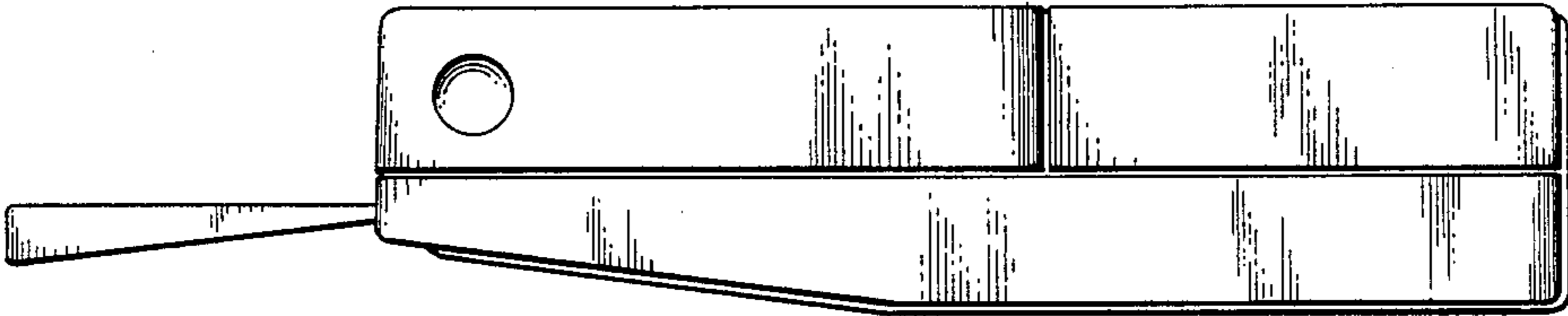


FIG. 10

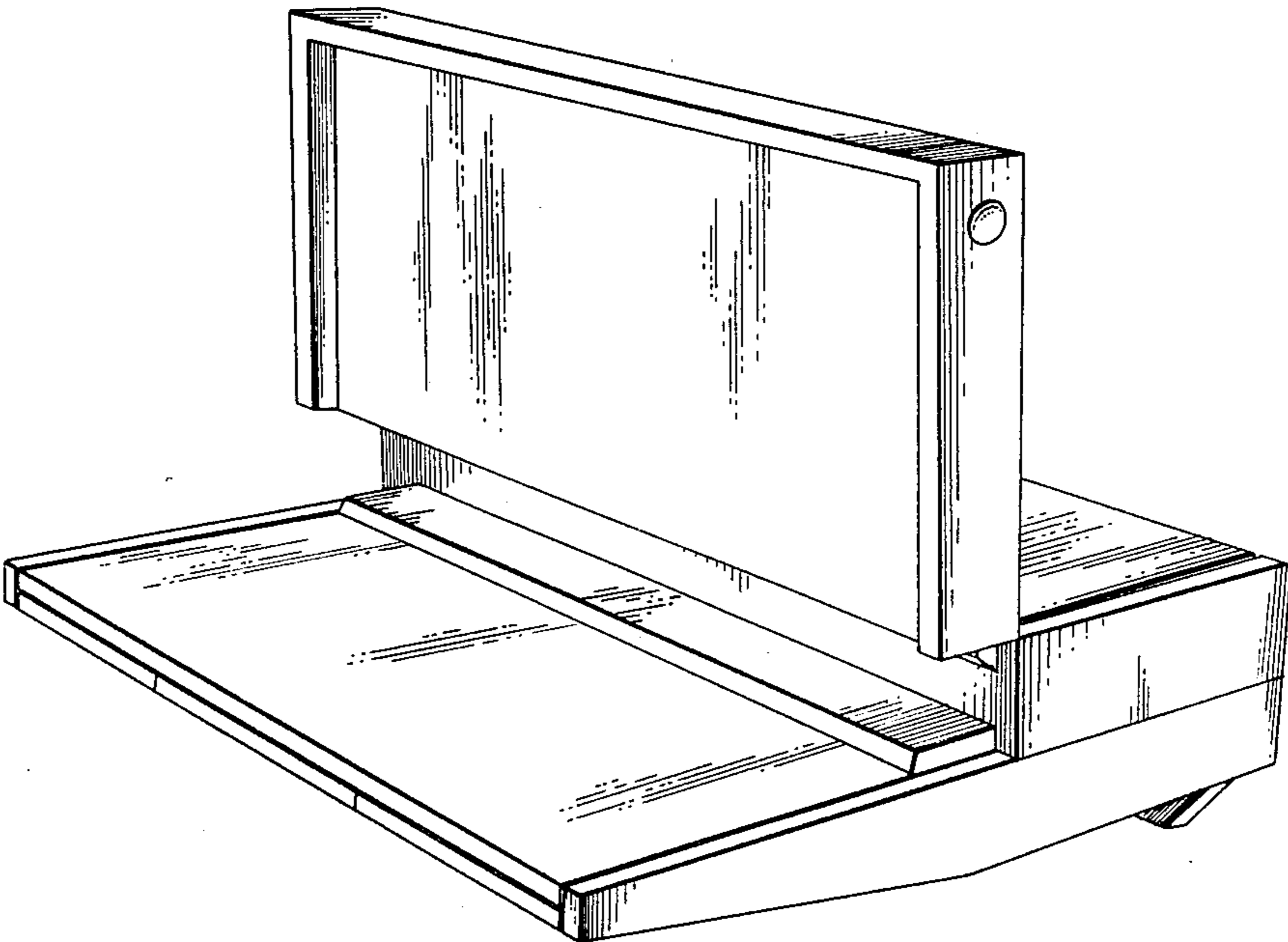


FIG. 11

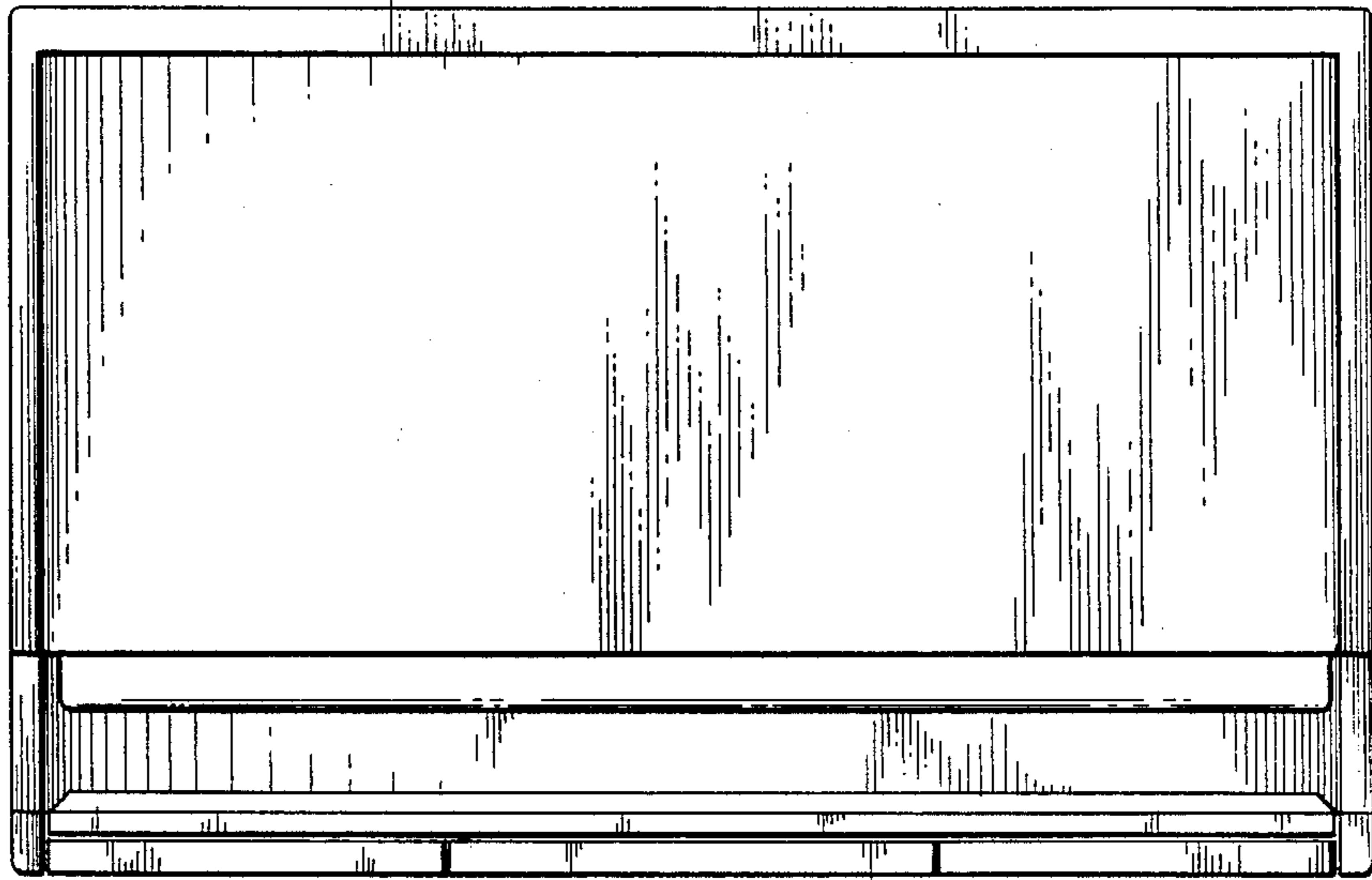


FIG. 12

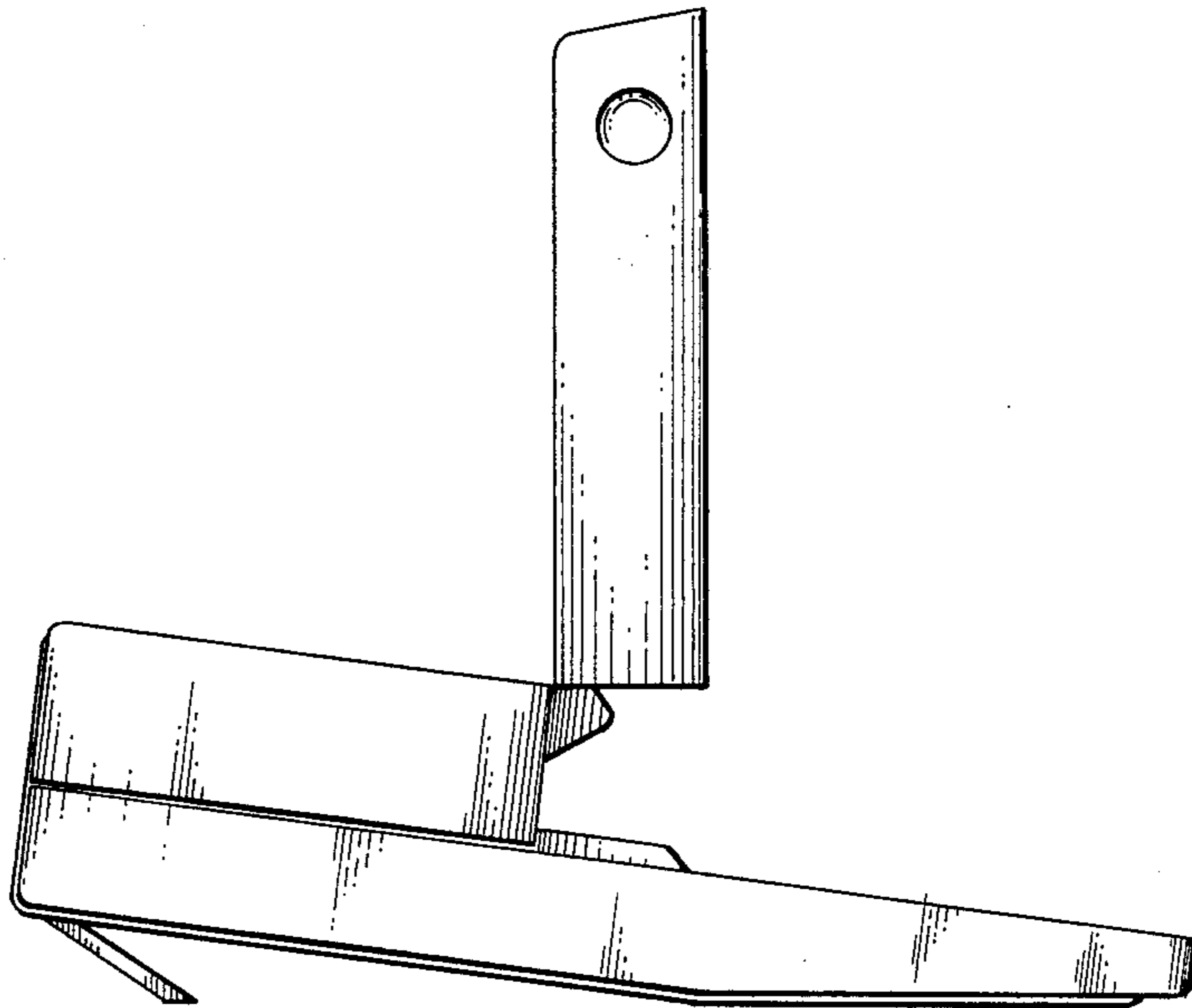


FIG. 13

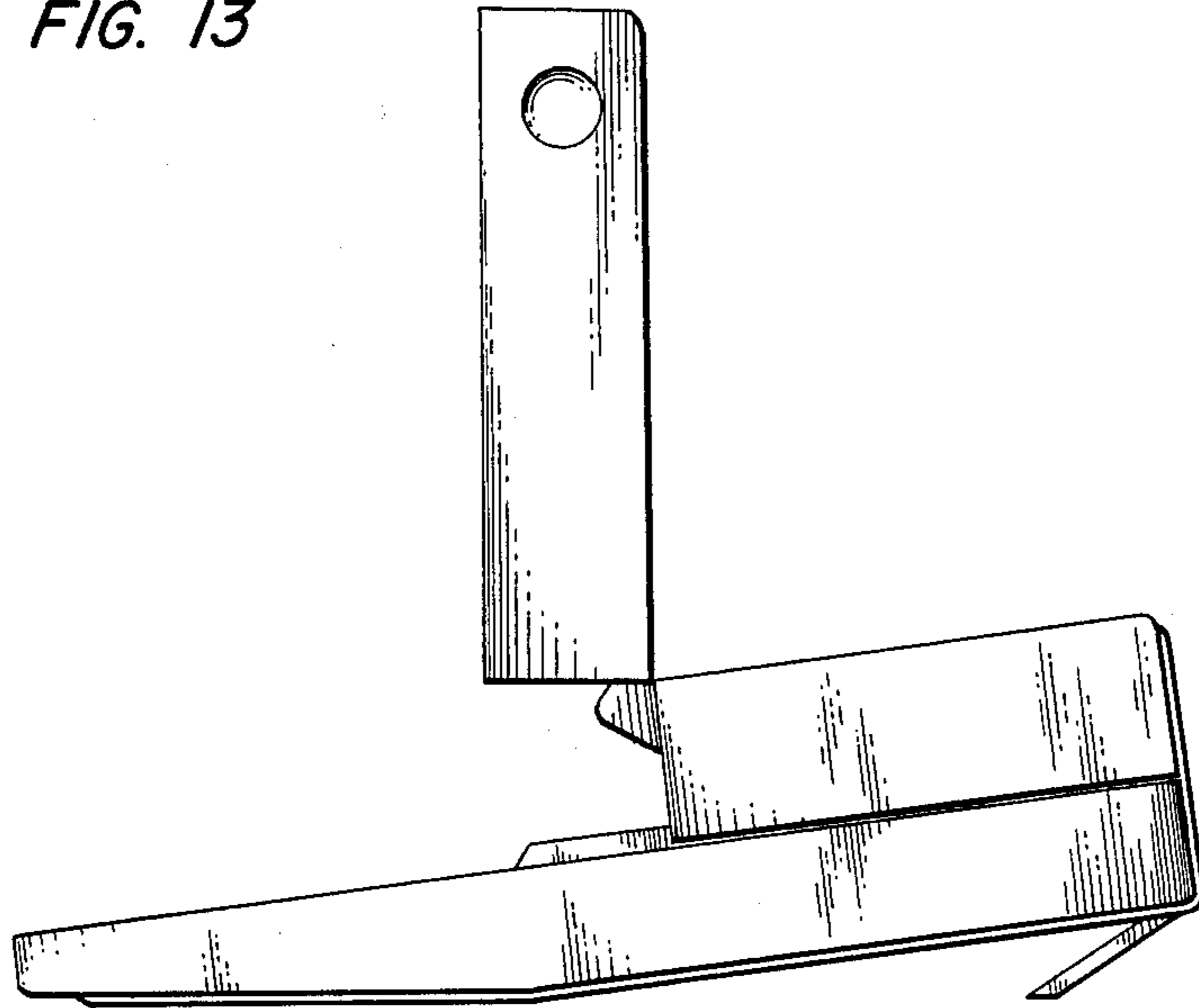


FIG. 14

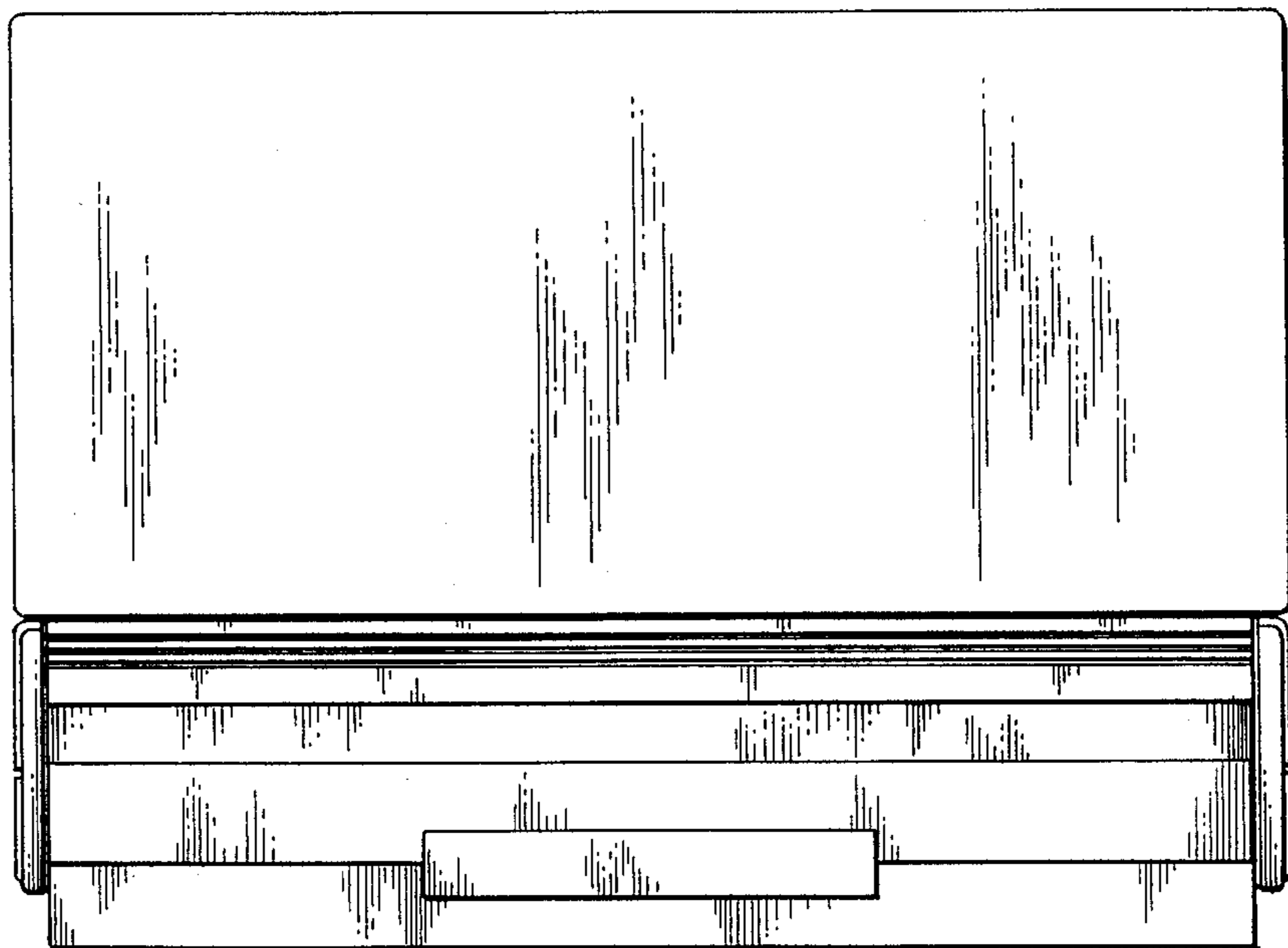


FIG. 15

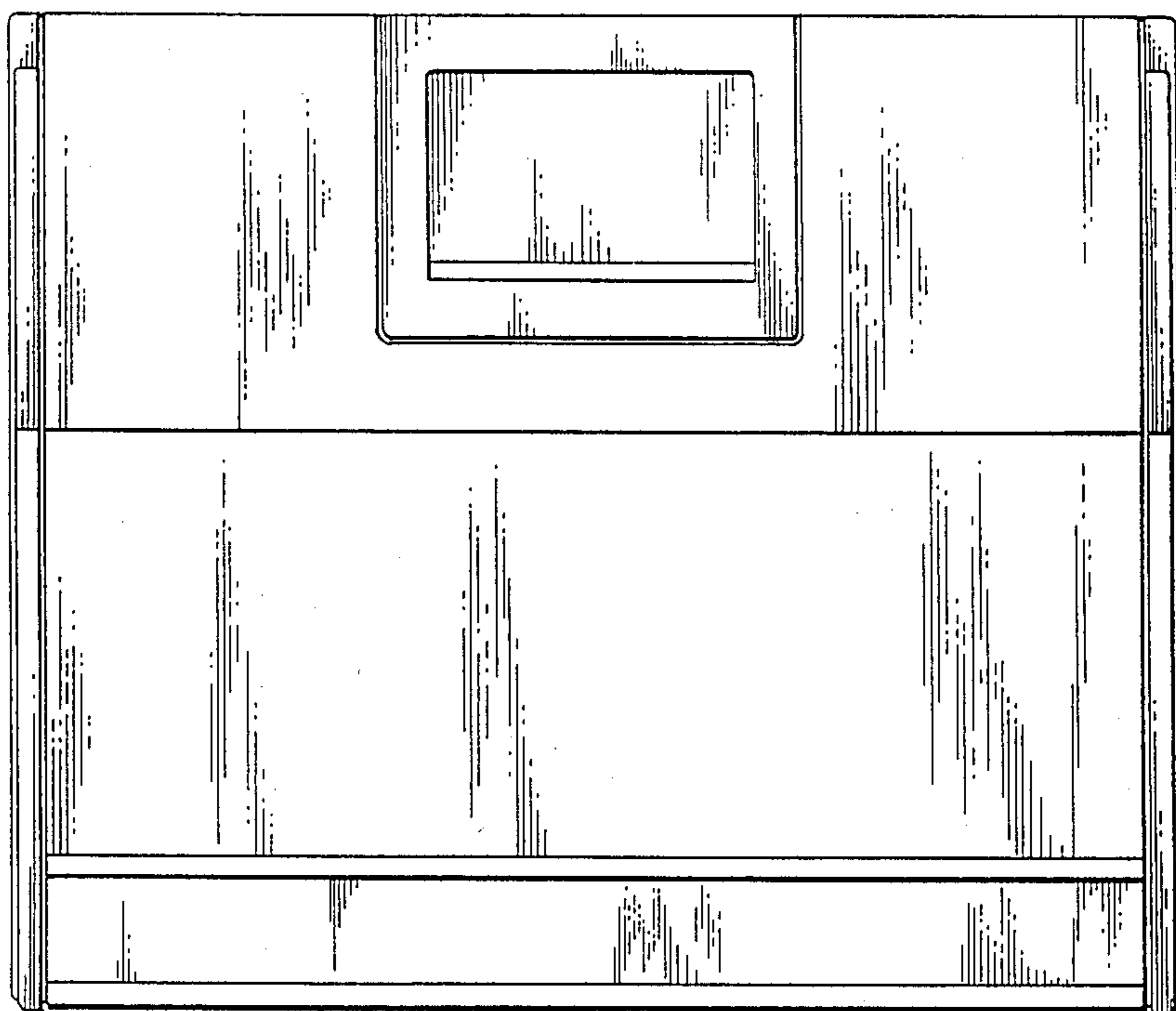


FIG. 16

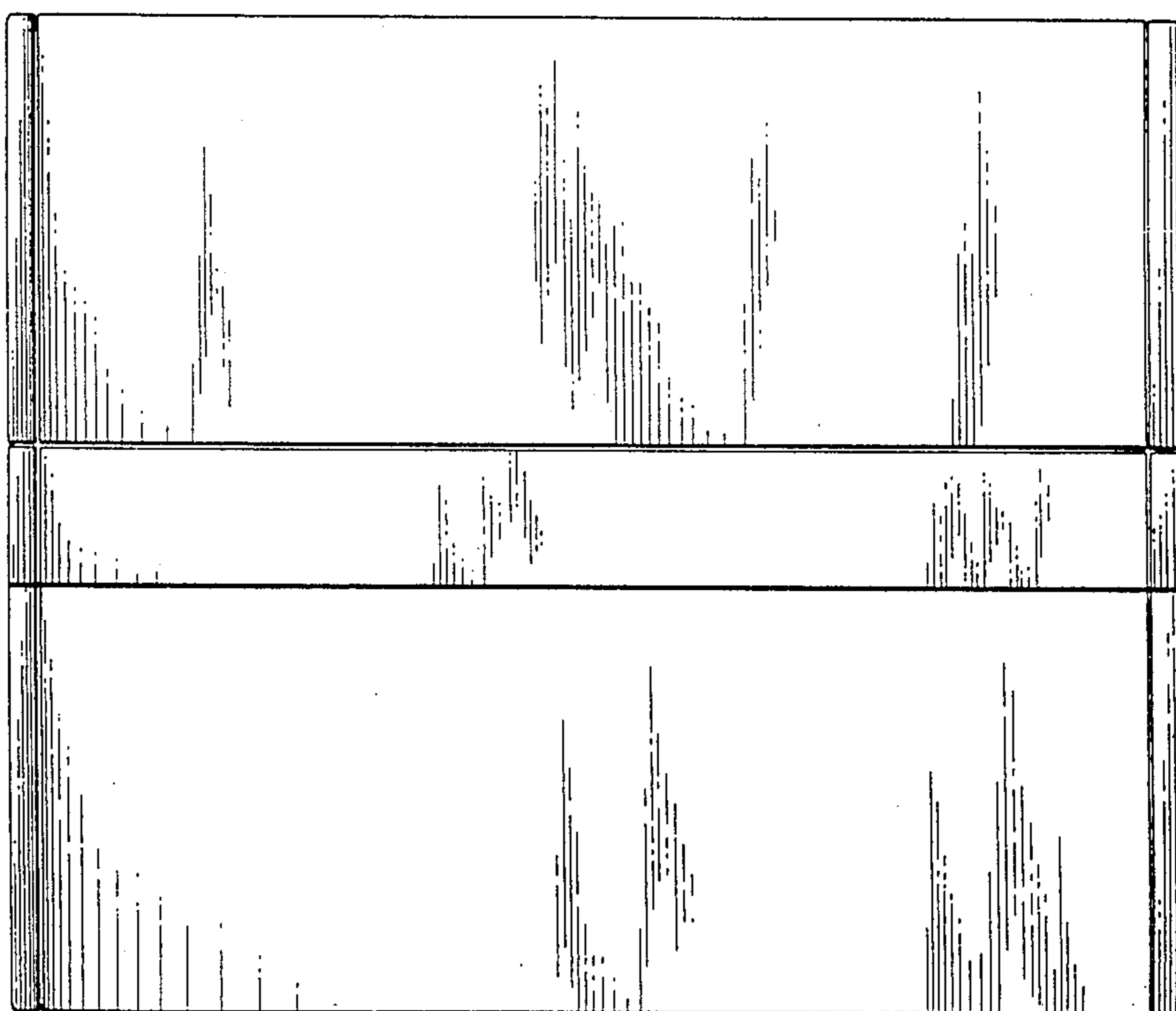


FIG. 17

