

# United States Patent [19]

Dickerman

[11] Patent Number: Des. 302,262

[45] Date of Patent: \*\* Jul. 18, 1989

[54] SKI RACK

[75] Inventor: Brian R. Dickerman, 203 Locust St., Hartford, Conn. 06114

[73] Assignee: Brian R. Dickerman, Hartford, Conn.

[\*\*] Term: 14 Years

[21] Appl. No.: 857,542

[22] Filed: Apr. 21, 1986

[52] U.S. Cl. .... D12/157

[58] Field of Search ..... D12/157; 224/309, 315, 224/317, 321, 325, 327, 329, 331, 917

[56] References Cited

### U.S. PATENT DOCUMENTS

D. 282,060 1/1986 DiAntoni ..... D12/157

2,171,053 8/1939 White et al. .... 224/317  
3,944,179 3/1976 Piper ..... 224/317

Primary Examiner—James M. Gandy

### [57] CLAIM

The ornamental design for a ski rack, as shown.

### DESCRIPTION

FIG. 1 is a perspective view of a ski rack showing my new design.

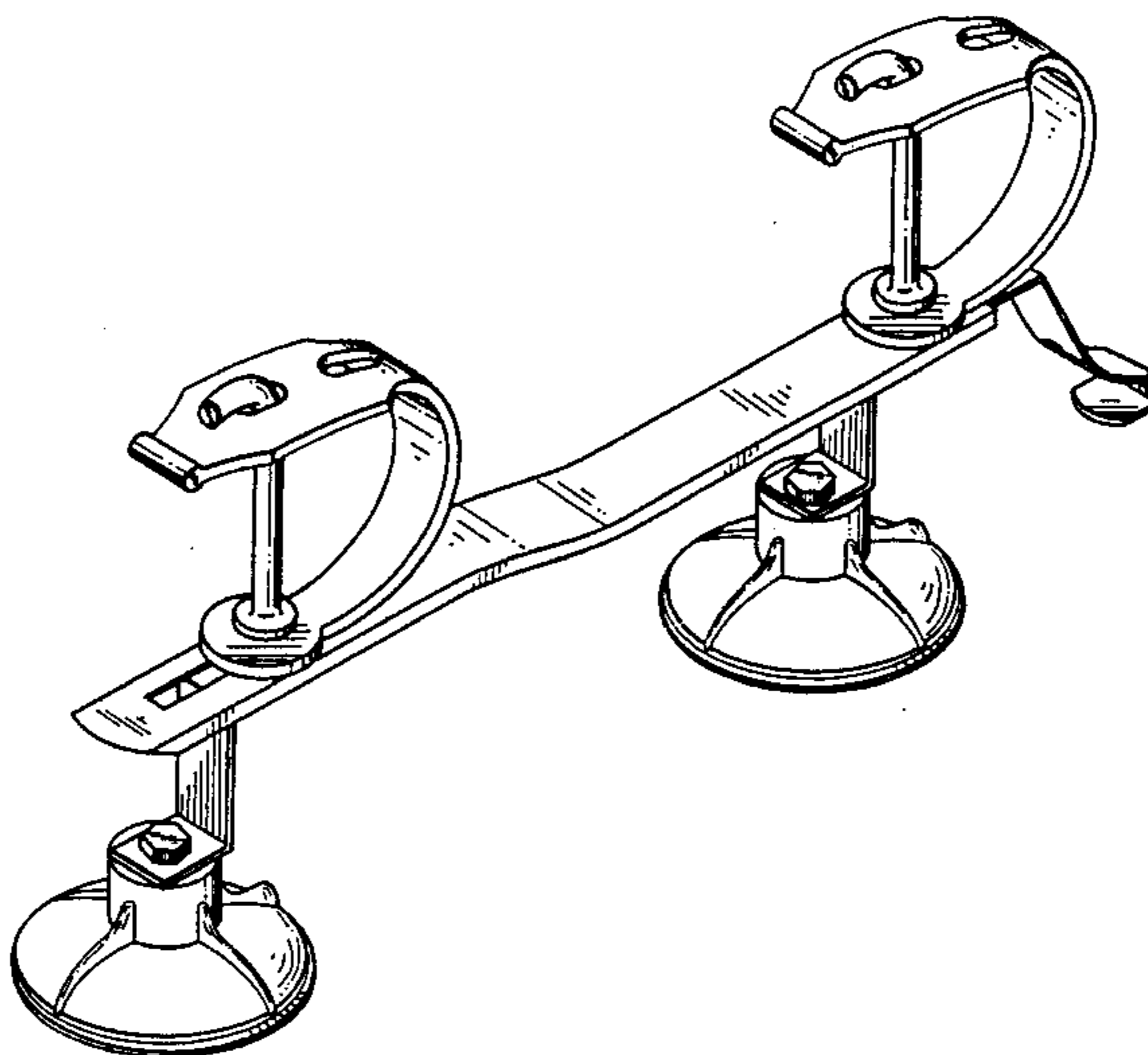
FIG. 2 is a front elevation view of the ski rack.

FIG. 3 is a top plan view of the ski rack.

FIG. 4 is a bottom plan view of the ski rack.

FIG. 5 is a side elevation view as seen from the left in FIG. 2.

FIG. 6 is a side elevation view as seen from the right in FIG. 2.



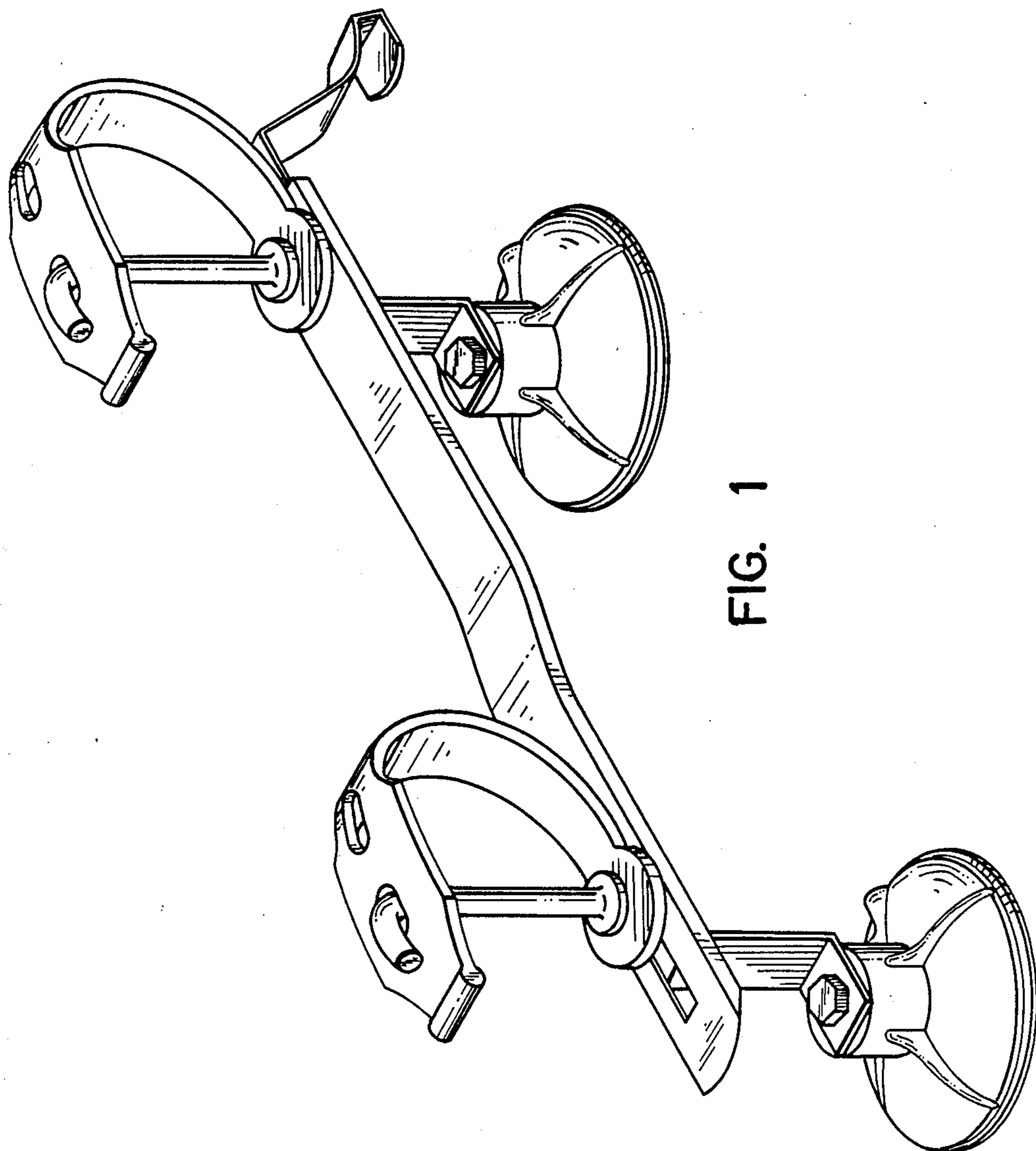


FIG. 1

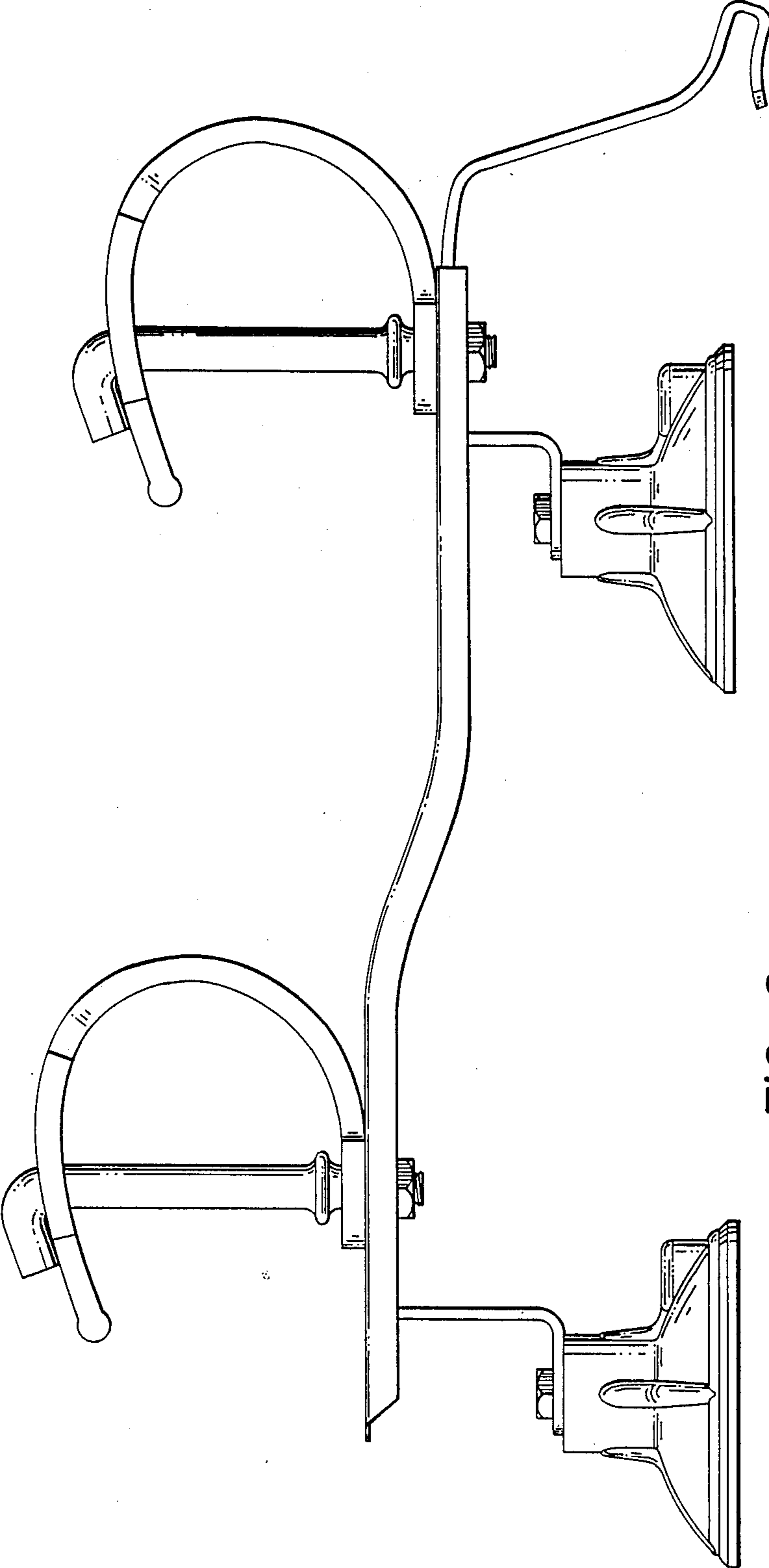


FIG. 2

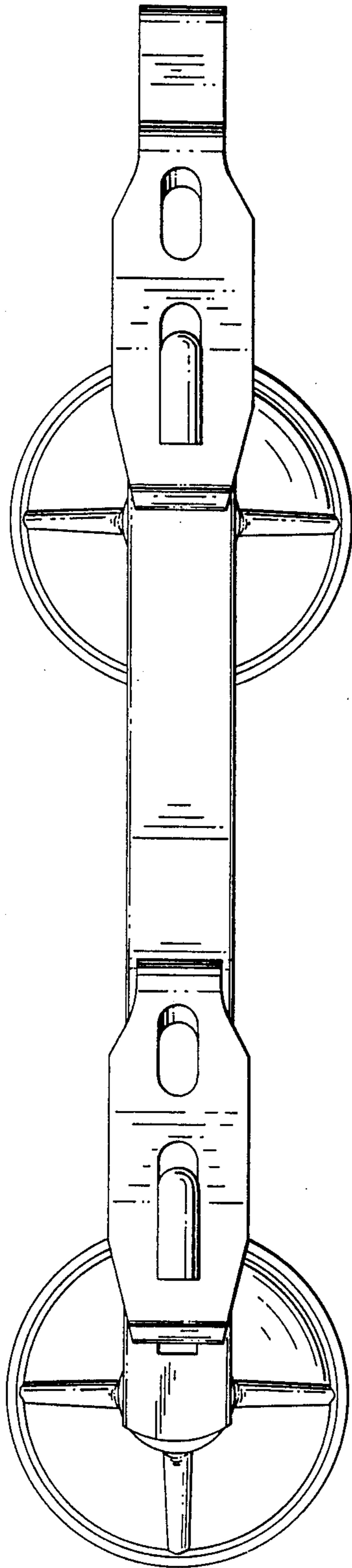


FIG. 3

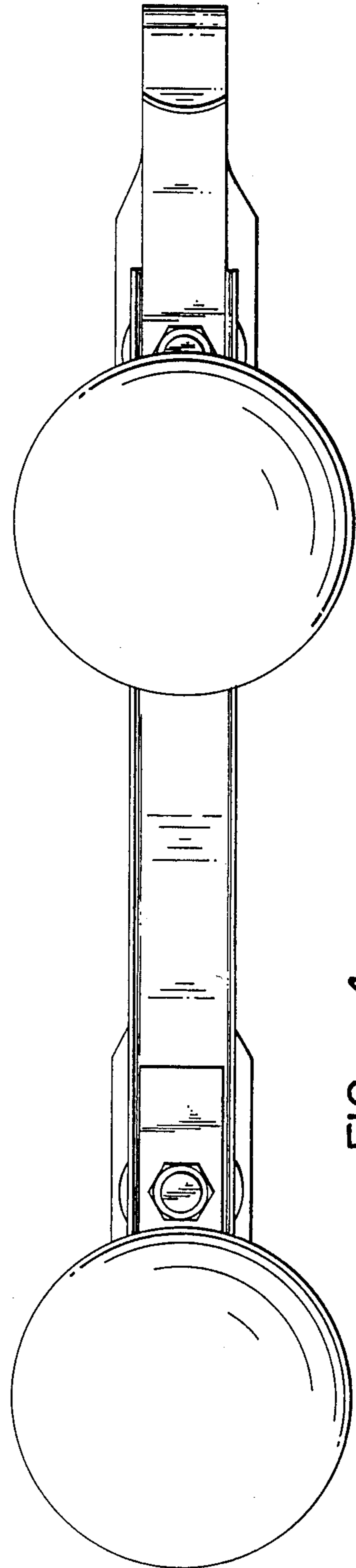


FIG. 4

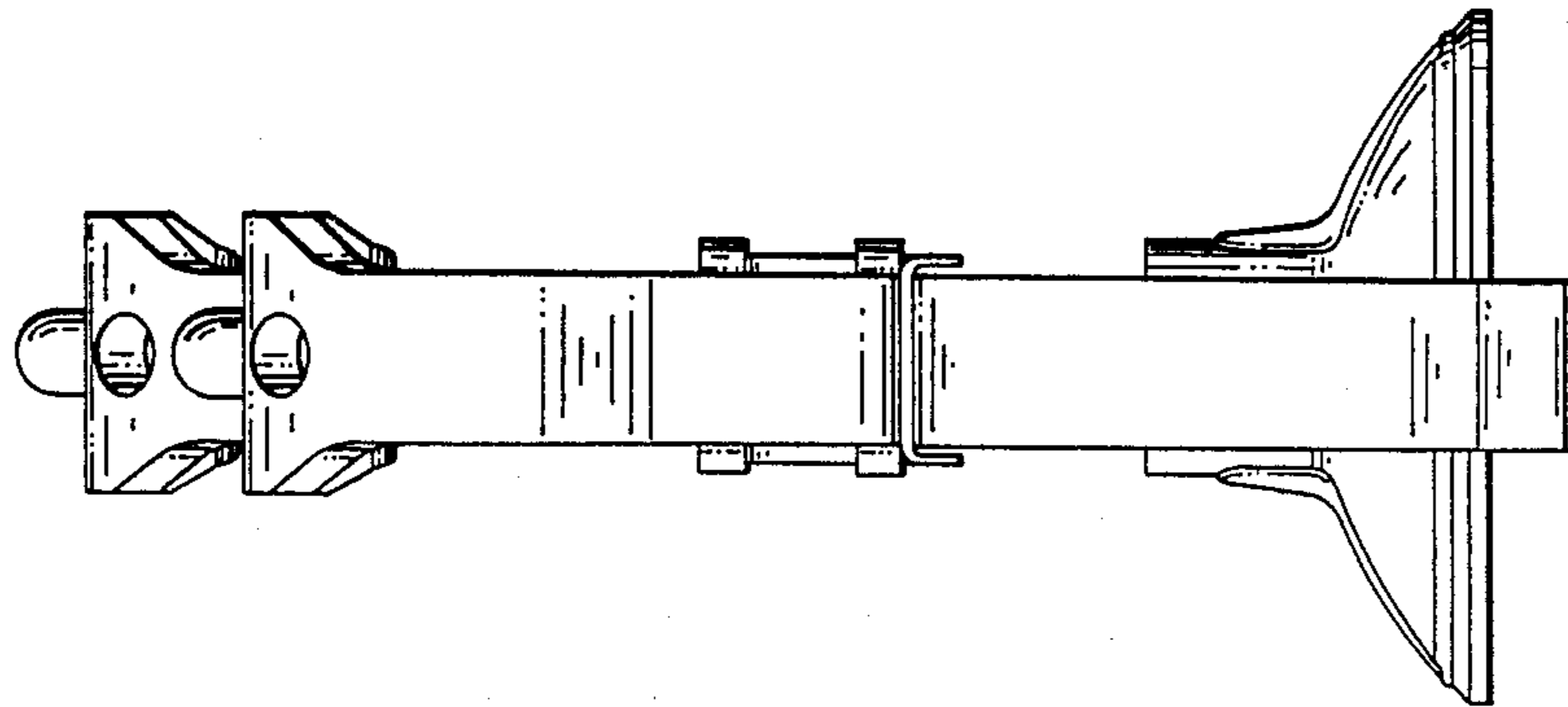


FIG. 6

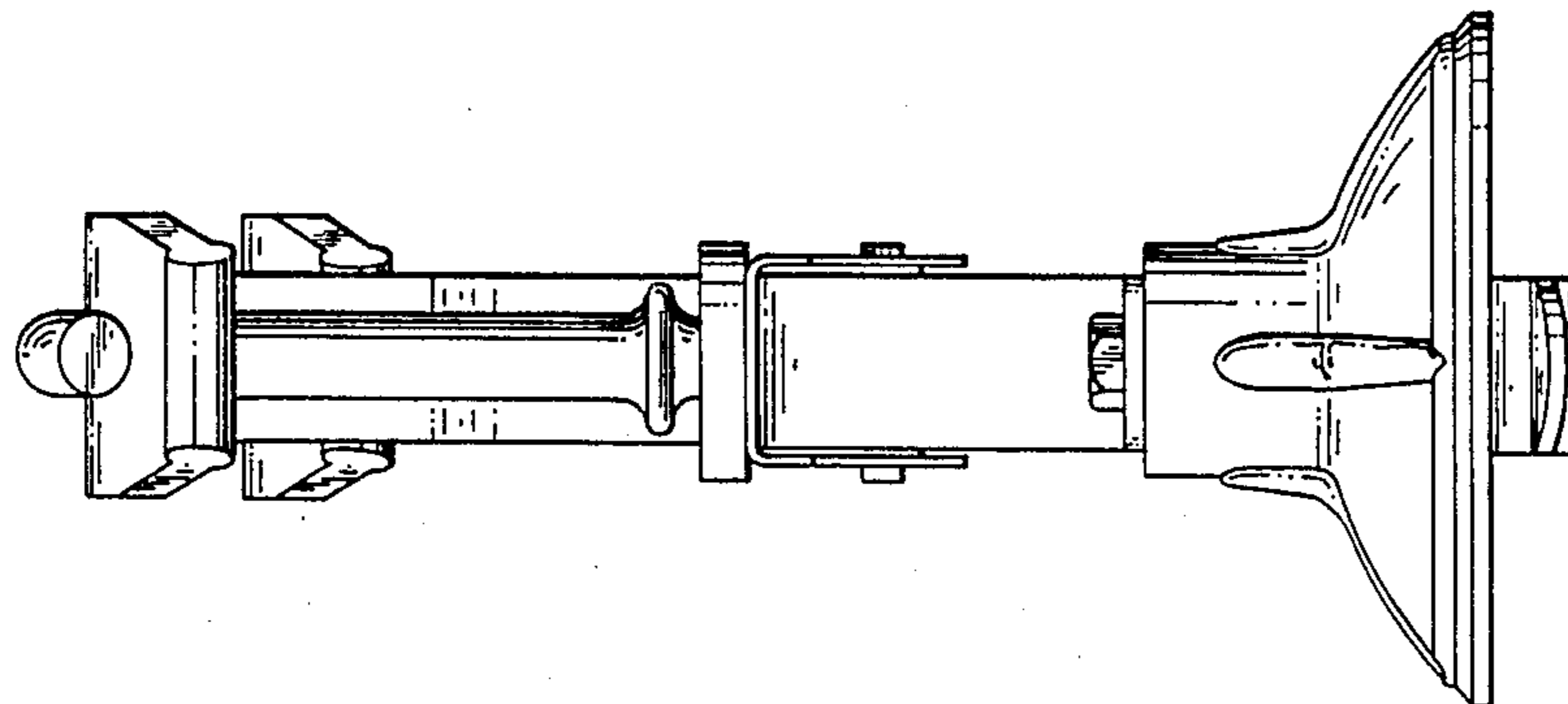


FIG. 5