

[54] **CYCLE PEDAL** 1236493 6/1960 France ..... 74/594.4

[75] **Inventor: Hermann Schieferstein, Detmold, Fed. Rep. of Germany**

[73] **Assignee: Union Sils, van de Loo & Co. GmbH, Frondenberg, Fed. Rep. of Germany**

[\*\*] **Term: 14 Years**

[21] **Appl. No.: 138,693**

[22] **Filed: Dec. 28, 1987**

[30] **Foreign Application Priority Data**  
 Jun. 29, 1987 [IB] Int'l Pat. Institute ..... DM/008860

[52] **U.S. Cl. .... D12/125**

[58] **Field of Search ..... D12/125; 74/594.4**

[56] **References Cited**

**U.S. PATENT DOCUMENTS**

D. 197,754	3/1964	Golden	.....	D12/125
D. 216,858	3/1970	Greenlee	.....	D12/125
D. 219,325	11/1970	Golden	.....	D12/125
D. 260,249	8/1981	Humlong	.....	D12/125
579,794	3/1897	Fay	.....	74/594.4
2,592,238	4/1952	Brammer	.....	74/594.4

**FOREIGN PATENT DOCUMENTS**

938051	1/1956	Fed. Rep. of Germany	.....	74/594.4
--------	--------	----------------------	-------	----------

**OTHER PUBLICATIONS**

American Bicyclist & Motorcyclist, 8/86, p. 49, NH-803 Pedal, lower right side of page.  
 American Bicyclist & Motorcyclist, 8/86, p. 57, Wellgo LU-303 Pedal, center right side of page.  
 American Bicyclist & Motorcyclist, 12/86, p. 48, Weco #406 Pedal, top left side of page.

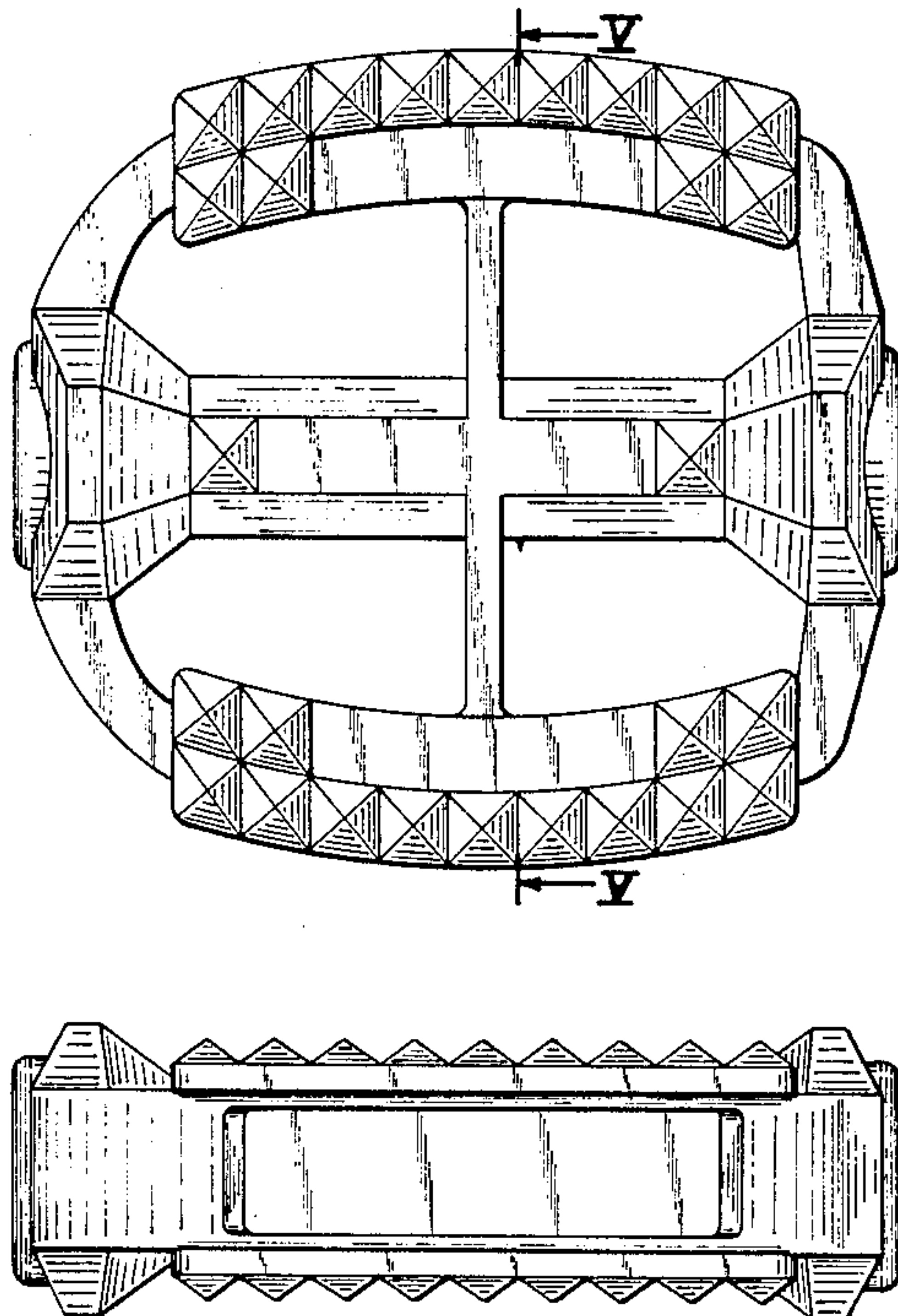
*Primary Examiner*—James M. Gandy  
*Attorney, Agent, or Firm*—Herbert Dubno

[57] **CLAIM**

The ornamental design for a cycle pedal, as shown and described.

**DESCRIPTION**

FIG. 1 is a top plan view of the cycle pedal showing my new design, the bottom plan view being identical thereto;  
 FIG. 2 is a front elevational view of the cycle pedal, the rear view being identical thereto;  
 FIG. 3 is a left-side elevational view of the cycle pedal as shown in FIG. 1;  
 FIG. 4 is a right-side elevational view thereof; and  
 FIG. 5 is a sectional view taken along line V—V of FIG. 1, the remaining exposed surfaces being plain and unornamented.



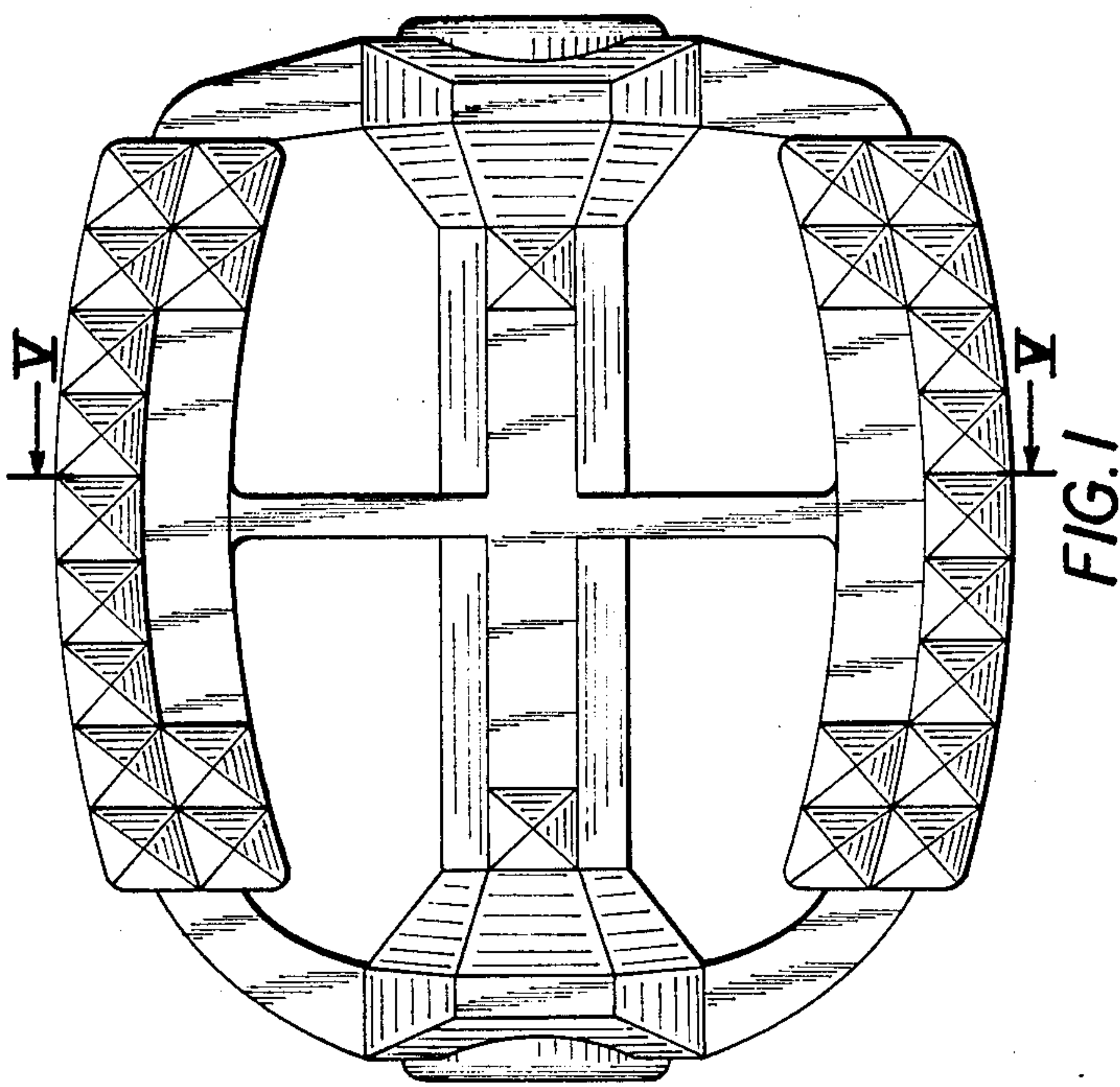


FIG. 1

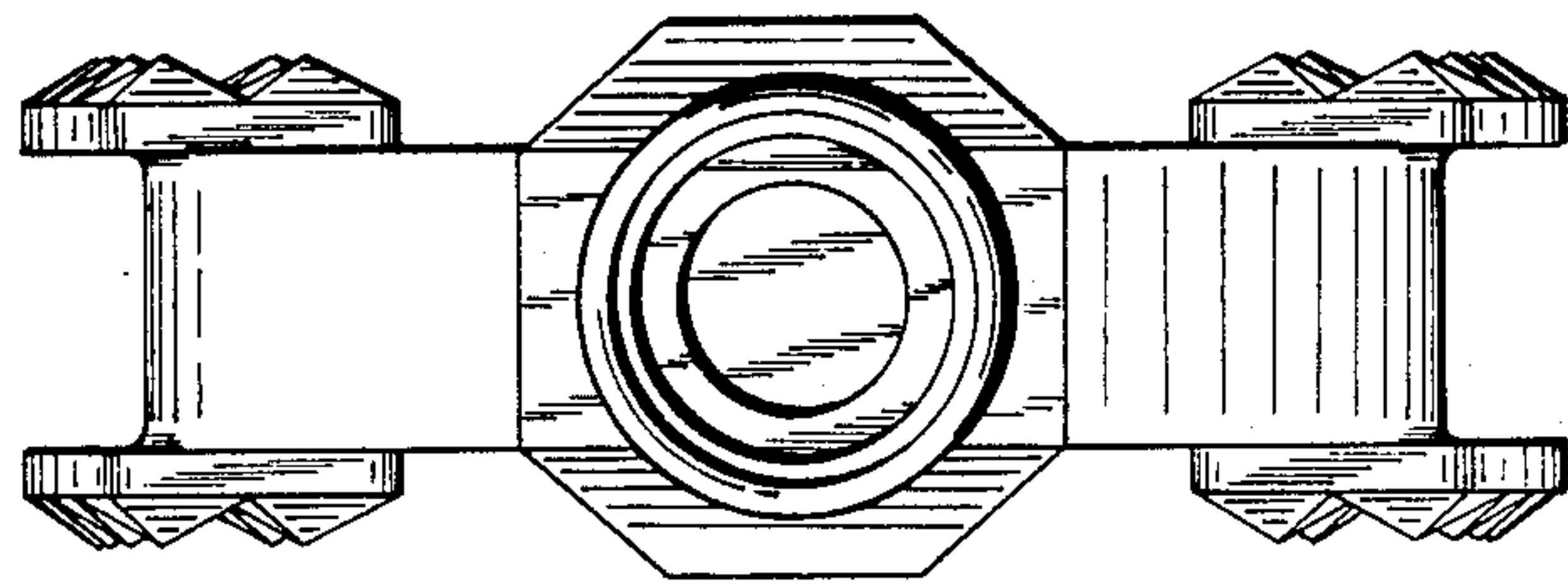


FIG. 3

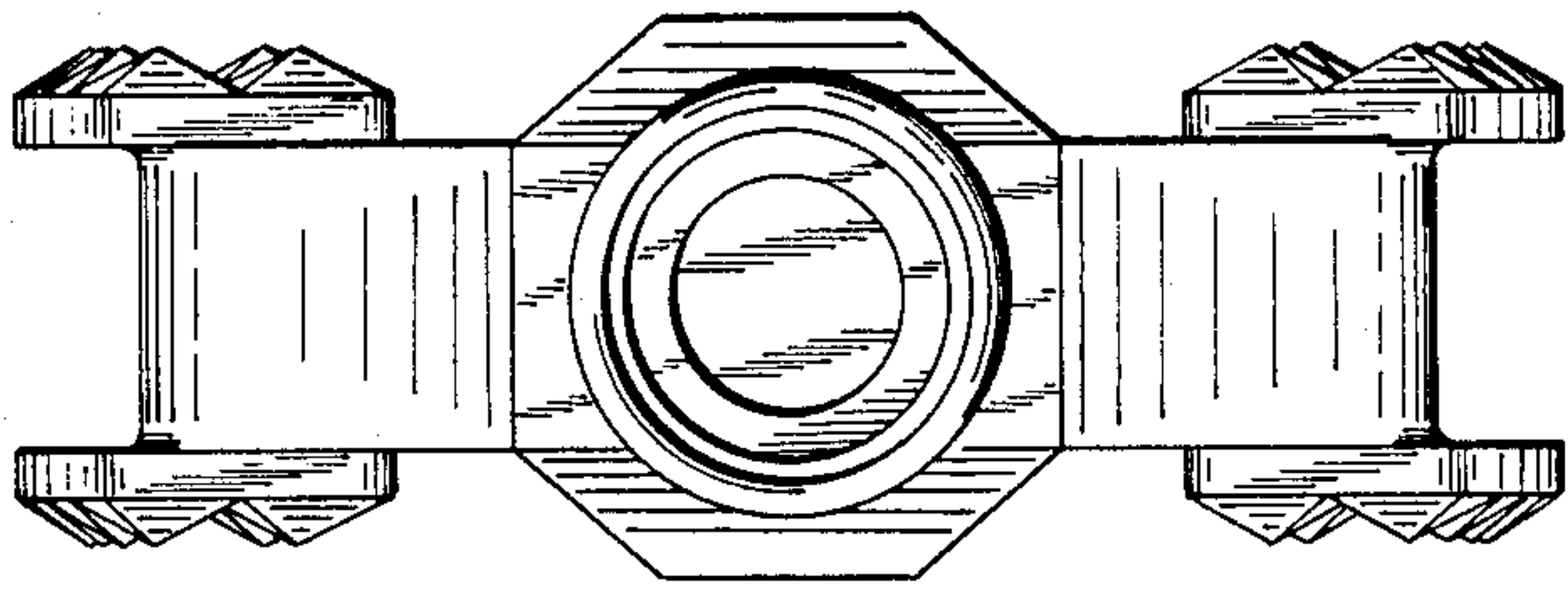


FIG. 4

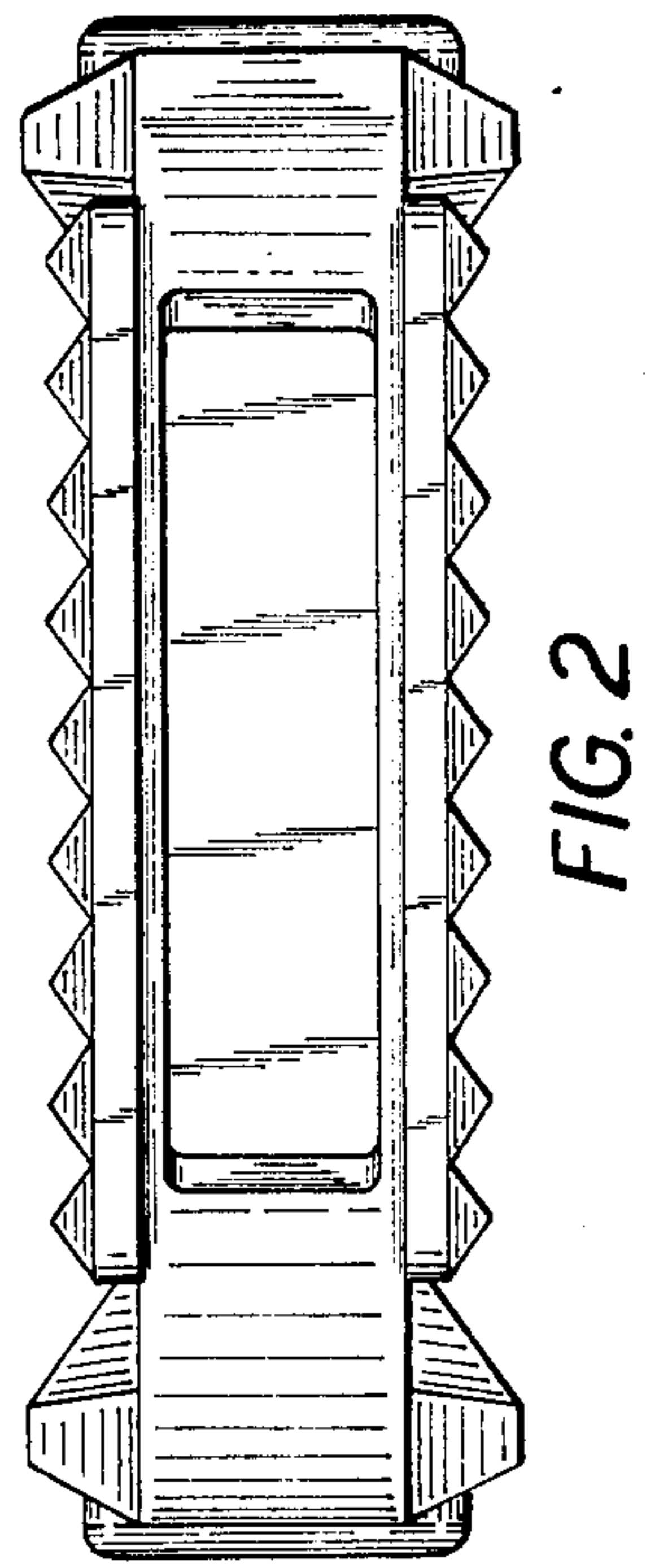


FIG. 2

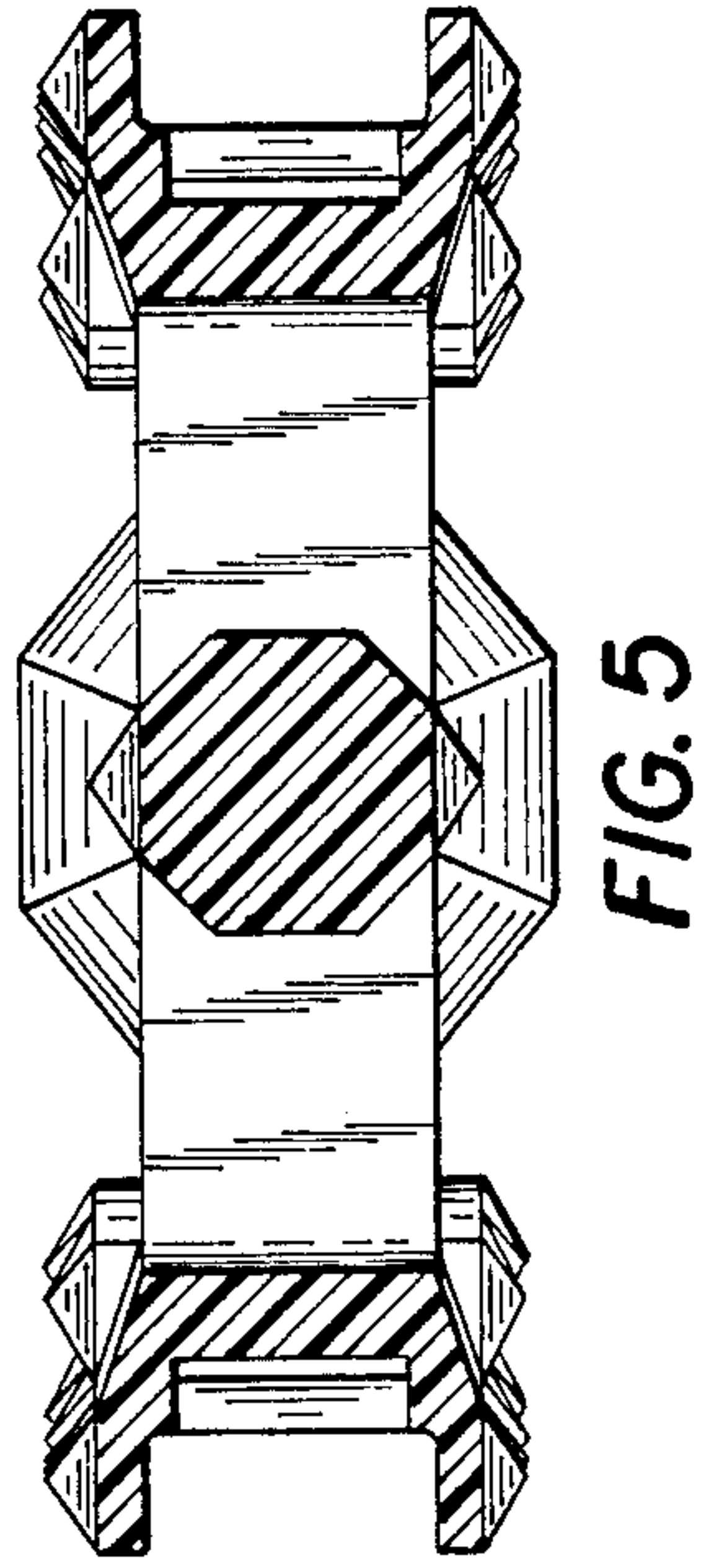


FIG. 5