

[54] BICYCLE PEDAL

[75] Inventors: Hubert Konzorr, Fröndenberg; Ulrich Herold, Dortmund, both of Fed. Rep. of Germany

[73] Assignee: Union Sils, van de Loo & Co GmbH, Fröndenberg, Fed. Rep. of Germany

[\*\*] Term: 14 Years

[21] Appl. No.: 96,053

[22] Filed: Sep. 11, 1987

[30] Foreign Application Priority Data

Mar. 19, 1987 [DE] Fed. Rep. of Germany ... 6AR83/87

[52] U.S. Cl. .... D12/125

[58] Field of Search ..... D12/125; 74/594.4

[56] References Cited

U.S. PATENT DOCUMENTS

D. 286,993 12/1986 Kotamaki ..... D12/125

D. 286,996 12/1986 Hartmann et al. .... D12/125

OTHER PUBLICATIONS

American Bicyclist & Motorcyclist, 8/86, p. 88, JT-708 Pedal, top right side of page.

Primary Examiner—James M. Gandy  
Attorney, Agent, or Firm—Herbert Dubno

[57] CLAIM

The ornamental design for a bicycle pedal, as shown and described.

DESCRIPTION

FIG. 1 is a front elevational view of the bicycle pedal showing our new design;

FIG. 2 is a right-side elevational view thereof;

FIG. 3 is a left-side elevational view thereof;

FIG. 4 is a rear elevational view thereof;

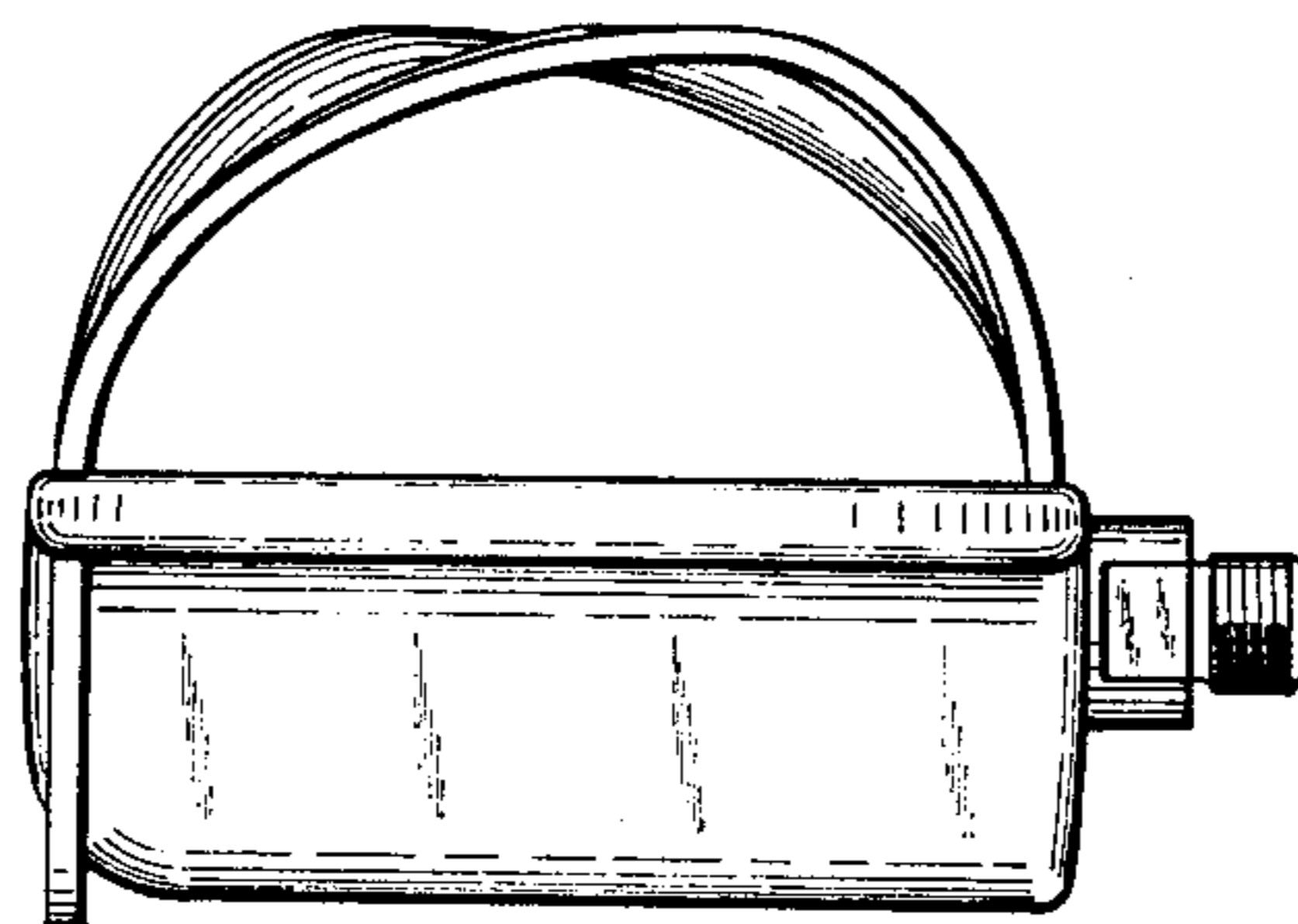
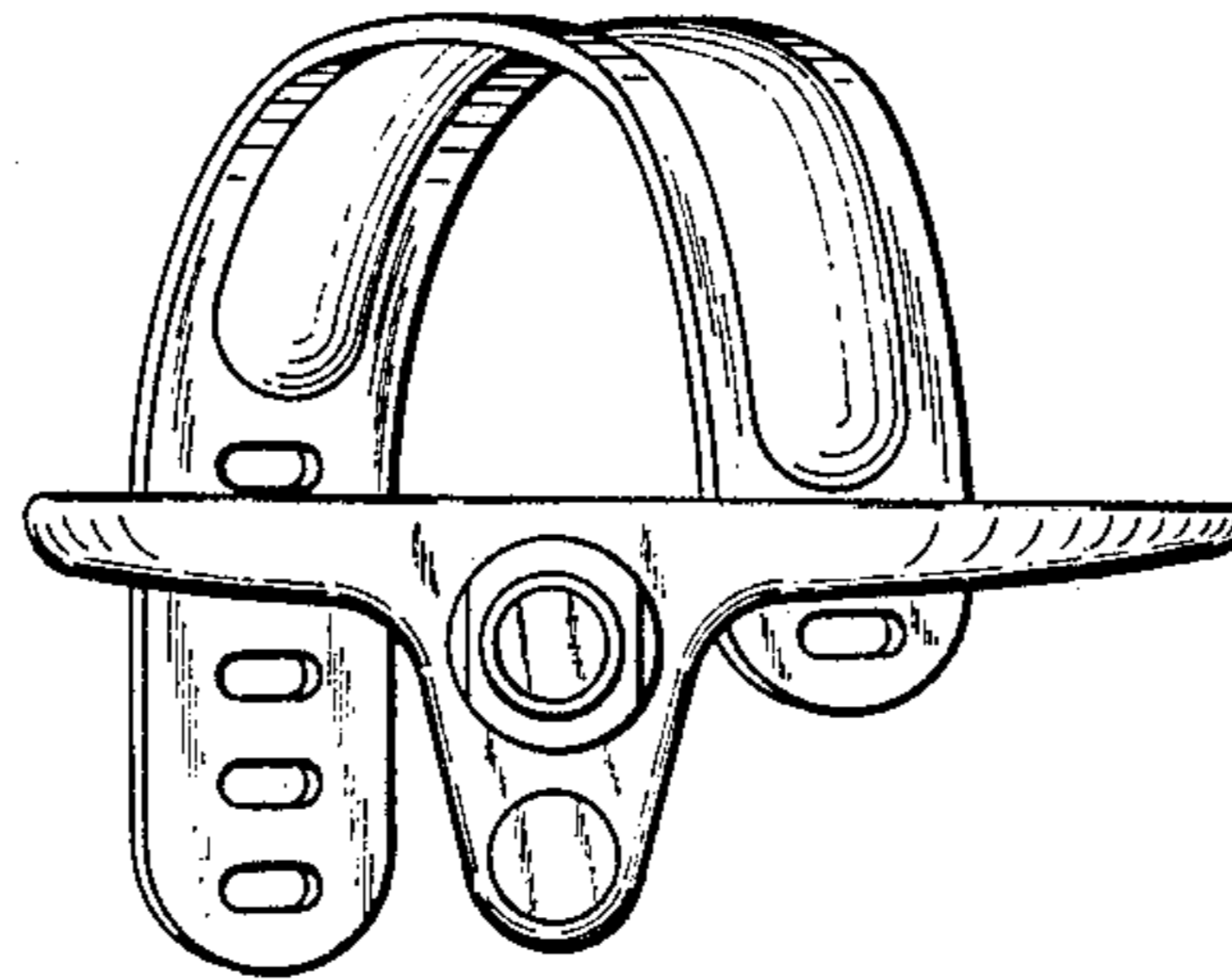
FIG. 5 is a top plan view thereof;

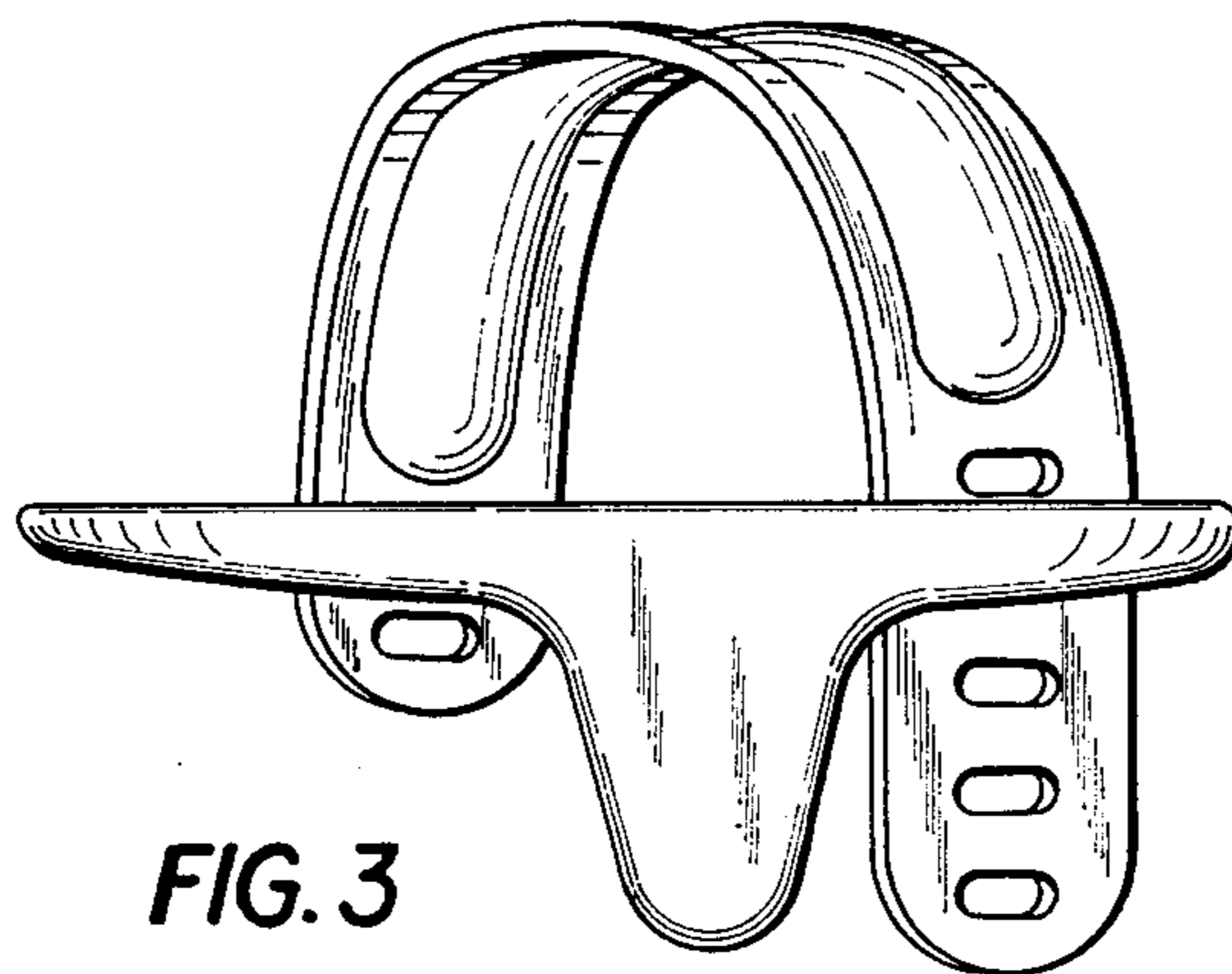
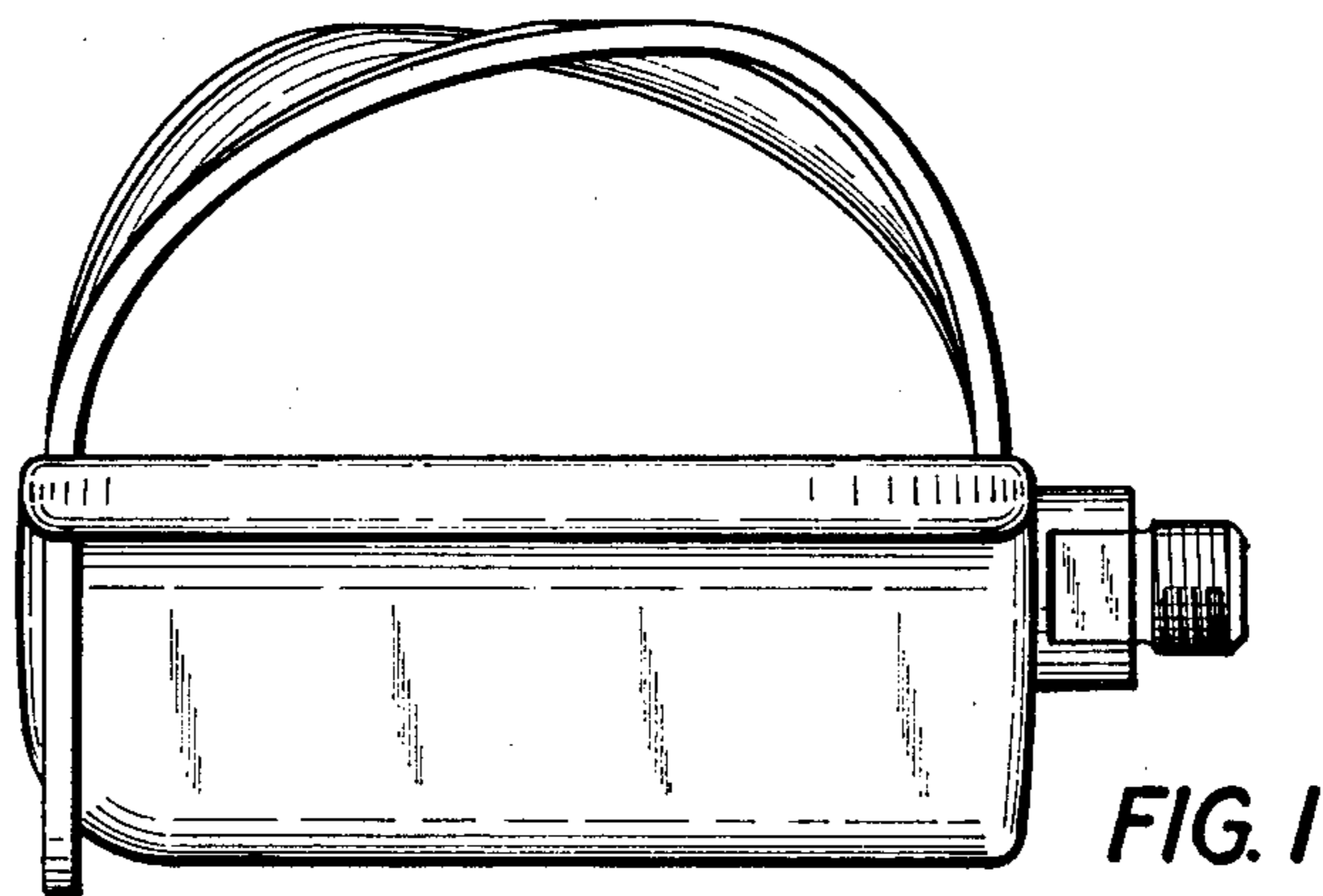
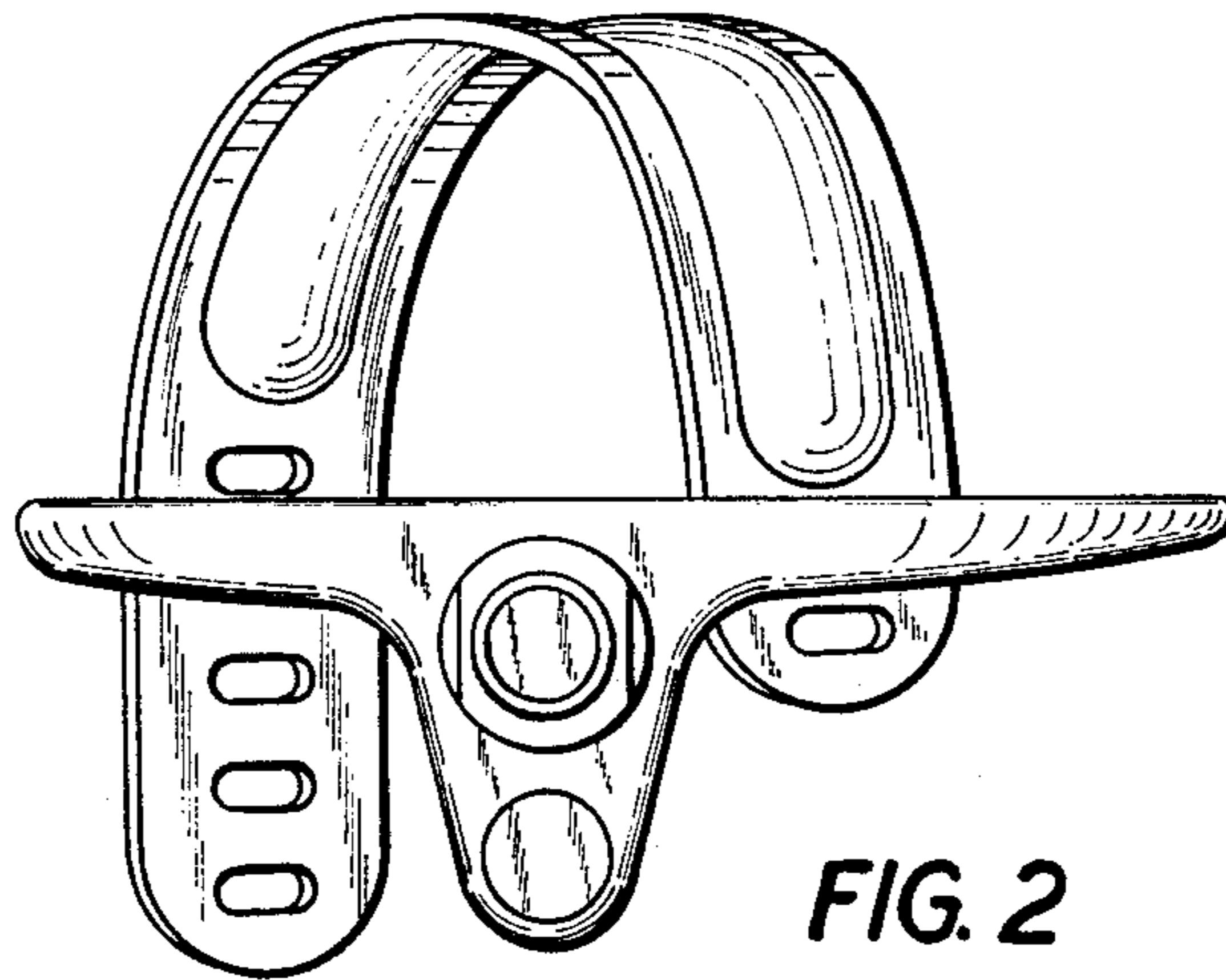
FIG. 6 is a bottom plan view thereof;

FIG. 7 is a right side elevational view shown partially in section along the line VII—VII in FIG. 5 illustrating the spherical concavity of the upper surface thereof; and,

FIG. 8 is a front elevational view shown partially in section along the line VIII—VIII in FIG. 5 further illustrating the spherical concavity of the upper surface thereof.

The strap has been omitted in FIGS. 7 and 8 for convenience of illustration.





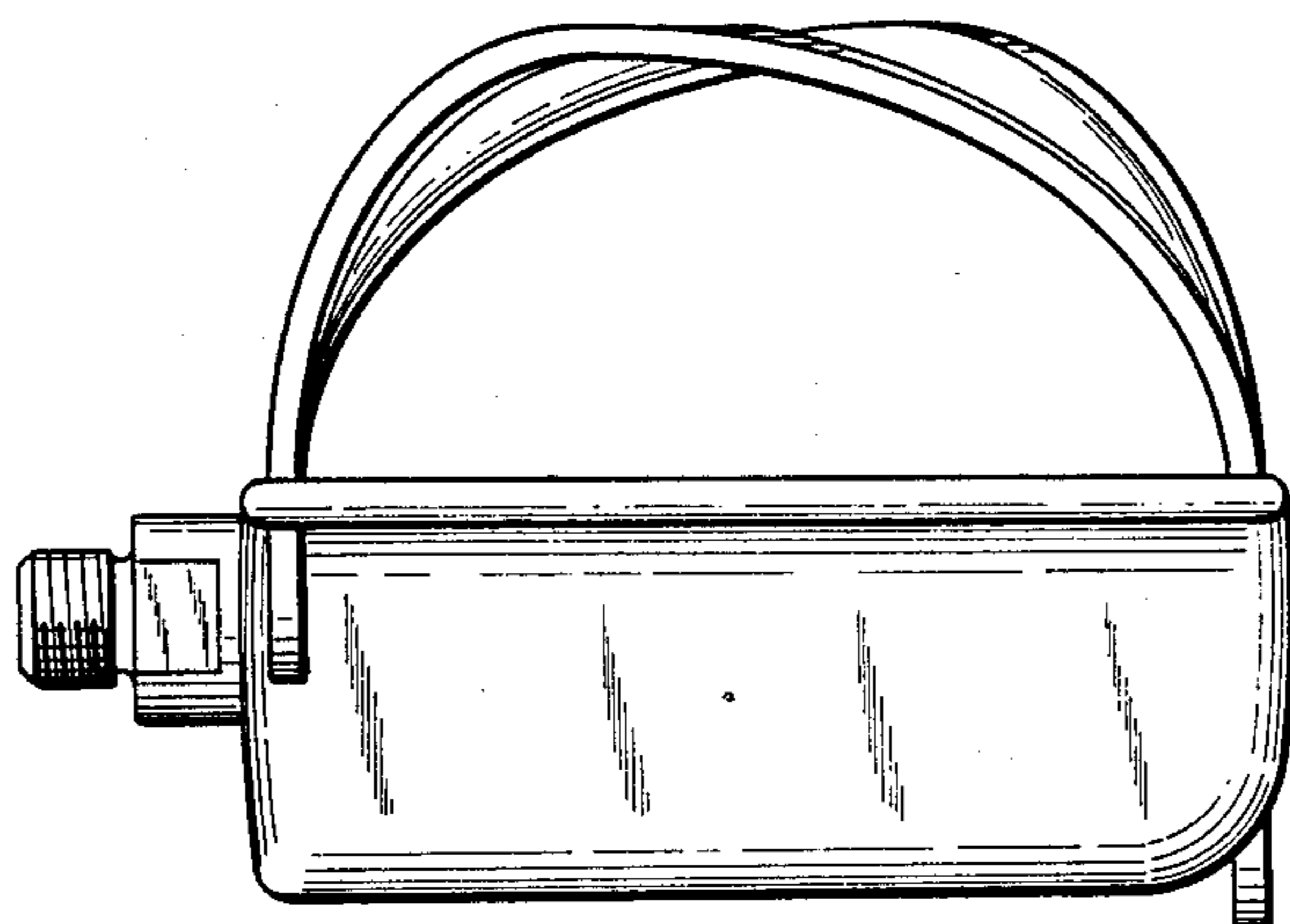


FIG. 4

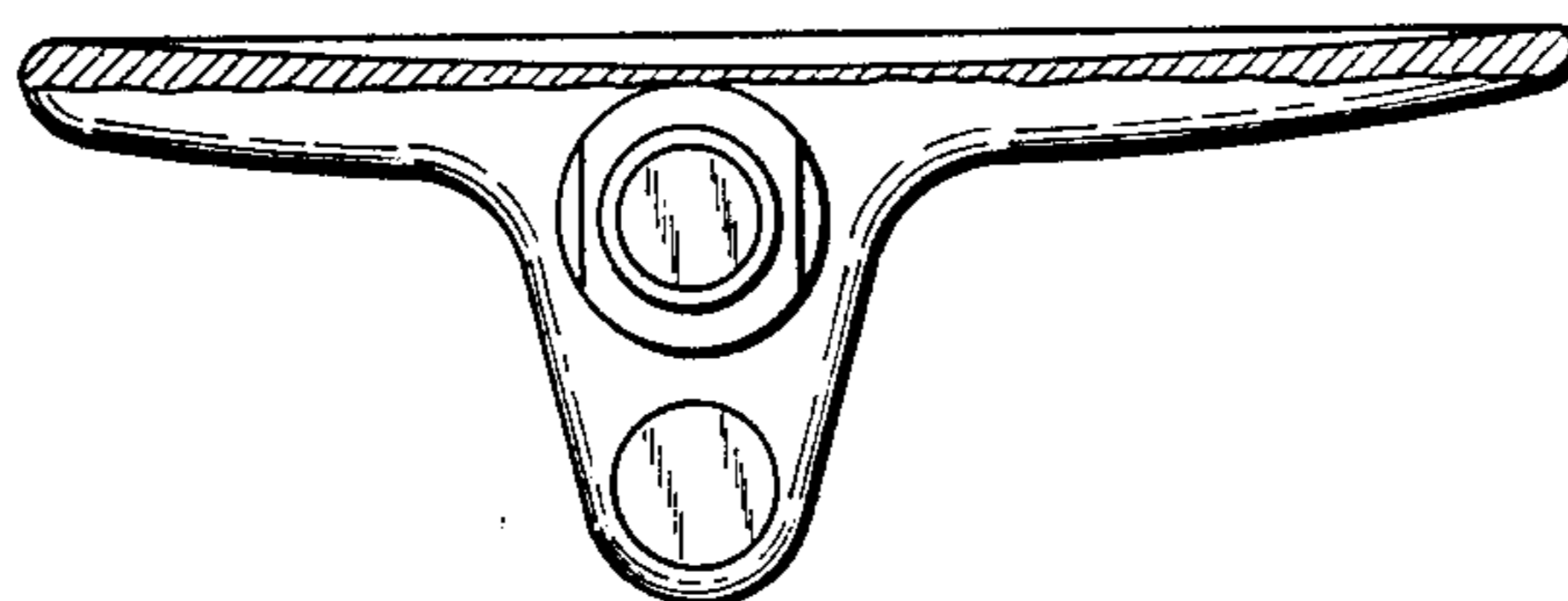


FIG. 7

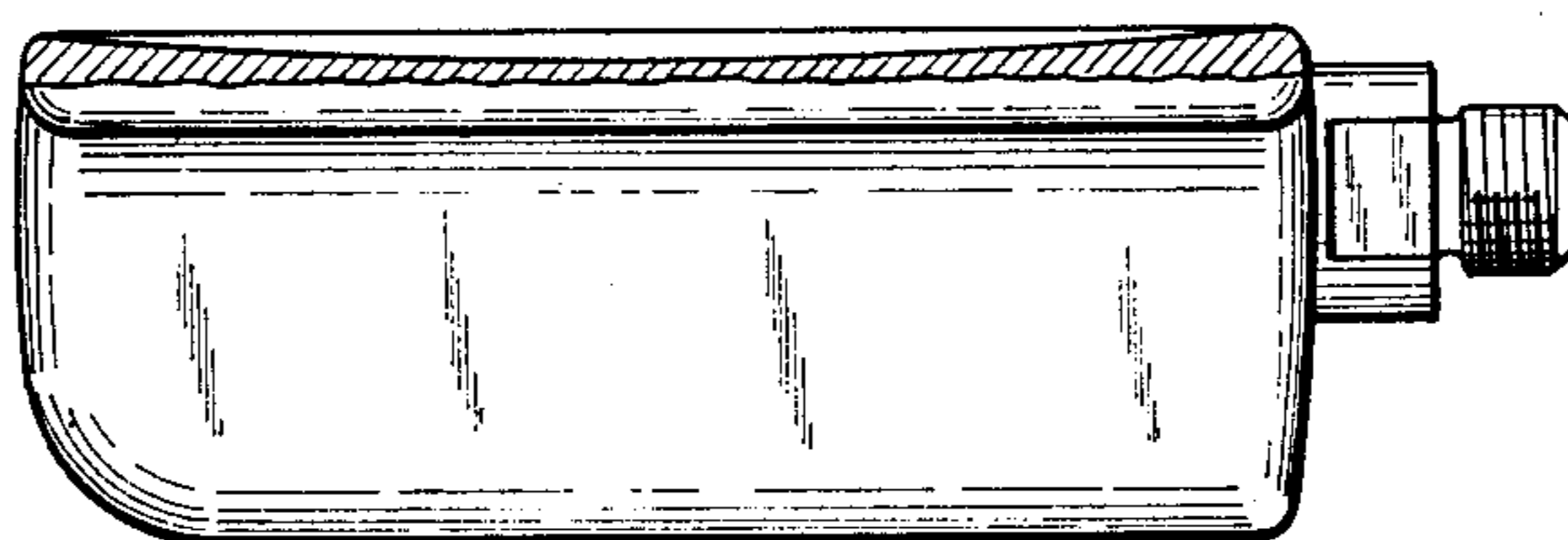


FIG. 8

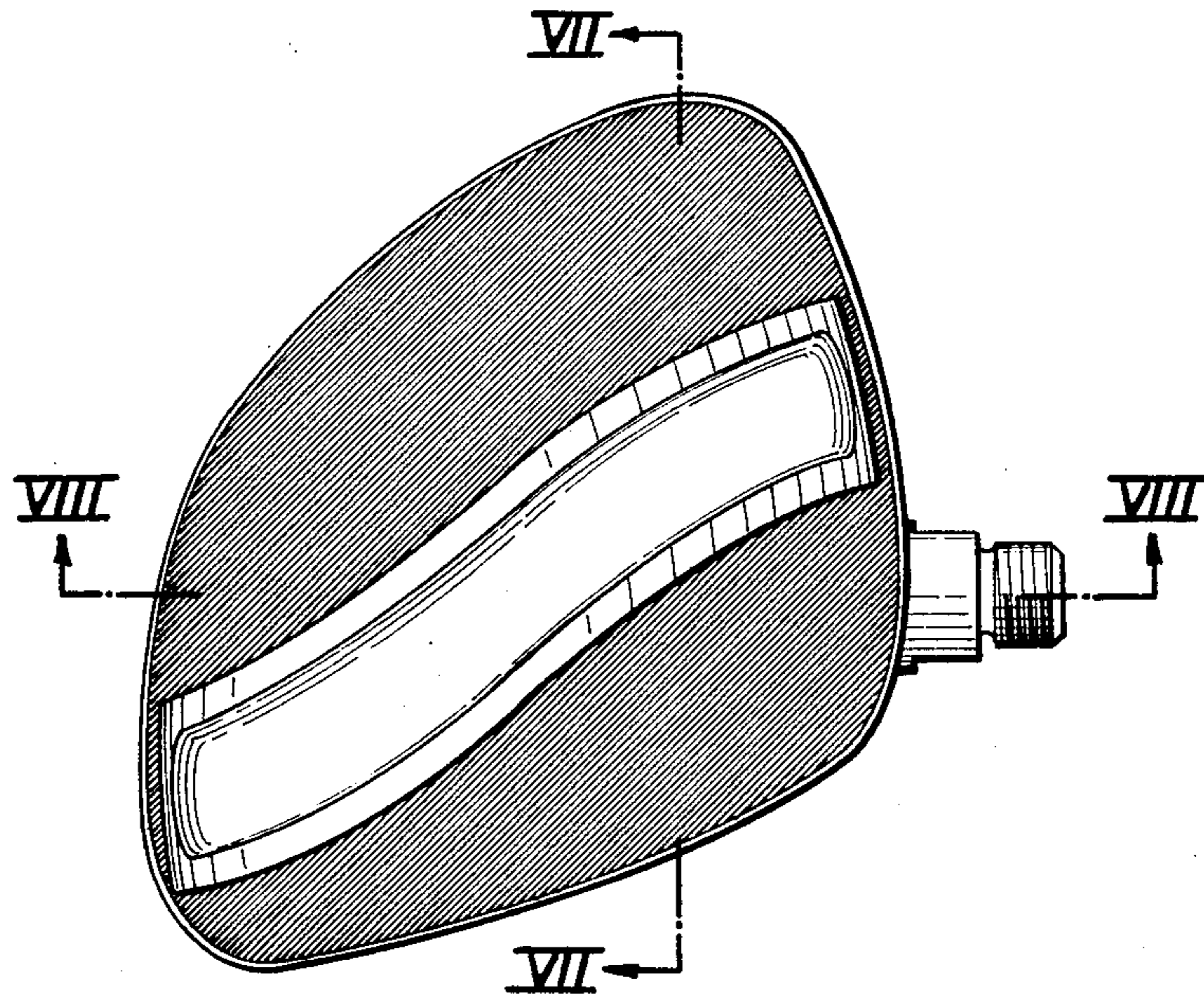


FIG. 5

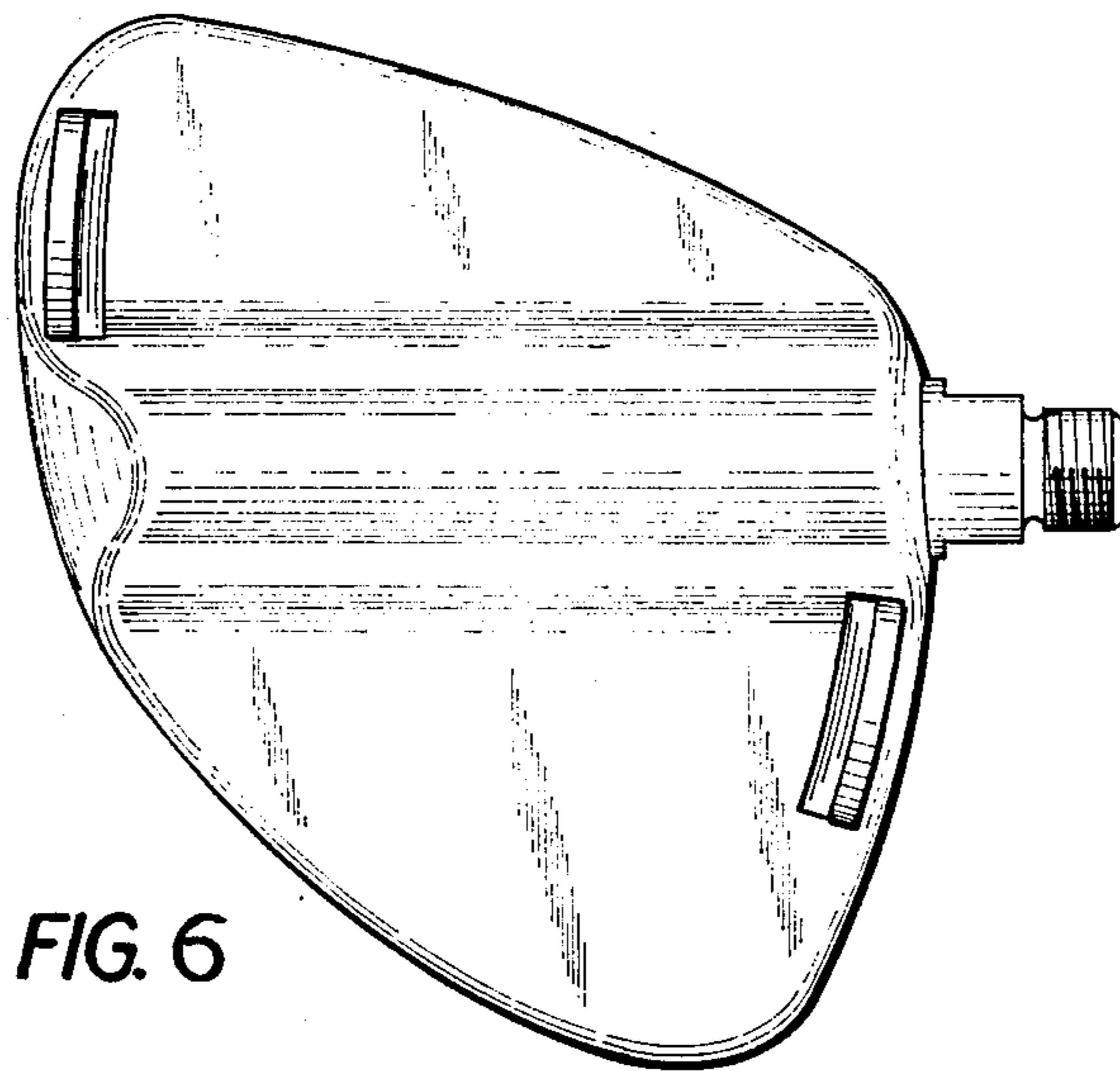


FIG. 6