

[54] BICYCLE RACK

[76] Inventors: Heinrich Kalisch; Rolf Meurer, both of Lenaustrasse 77, D-6000 Frankfurt/Main, Fed. Rep. of Germany

[**] Term: 14 Years

[21] Appl. No.: 845,072

[22] Filed: Mar. 19, 1986

[30] Foreign Application Priority Data

Sep. 19, 1985 [DE] Fed. Rep. of Germany 73 MR 9424

[52] U.S. Cl. D12/115

[58] Field of Search D12/115; D19/65; D7/72; 211/17, 19, 20, 22

[56] References Cited

U.S. PATENT DOCUMENTS

- D. 194,702 2/1963 Planeta D7/72
- D. 234,587 3/1975 Harris et al. D12/115
- D. 269,000 5/1983 Girard D12/115

OTHER PUBLICATIONS

The Gift & Art Buyer, 4/44, p. 44, Napkin Holder, (2), lower right side of page.

Primary Examiner—James M. Gandy
Attorney, Agent, or Firm—Michael J. Striker

[57] CLAIM

The ornamental design for a bicycle rack, as shown and described.

DESCRIPTION

FIG. 1 is a front elevation view of a bicycle rack embodying our design;
 FIG. 2 is a side elevation view thereof;
 FIG. 3 is a rear elevation view thereof;
 FIG. 4 is the opposite-side elevation view thereof;
 FIG. 5 is a top plan view thereof;
 FIG. 6 is a bottom plan view thereof;
 FIG. 7 is a top plan view thereof, shown in association with a plurality of duplicate bicycle racks which are shown in broken lines for illustrative purposes only and form no part of the claimed design;
 FIG. 8 is a side elevation view of FIG. 7; and
 FIG. 9 is a front elevation view of FIG. 7.

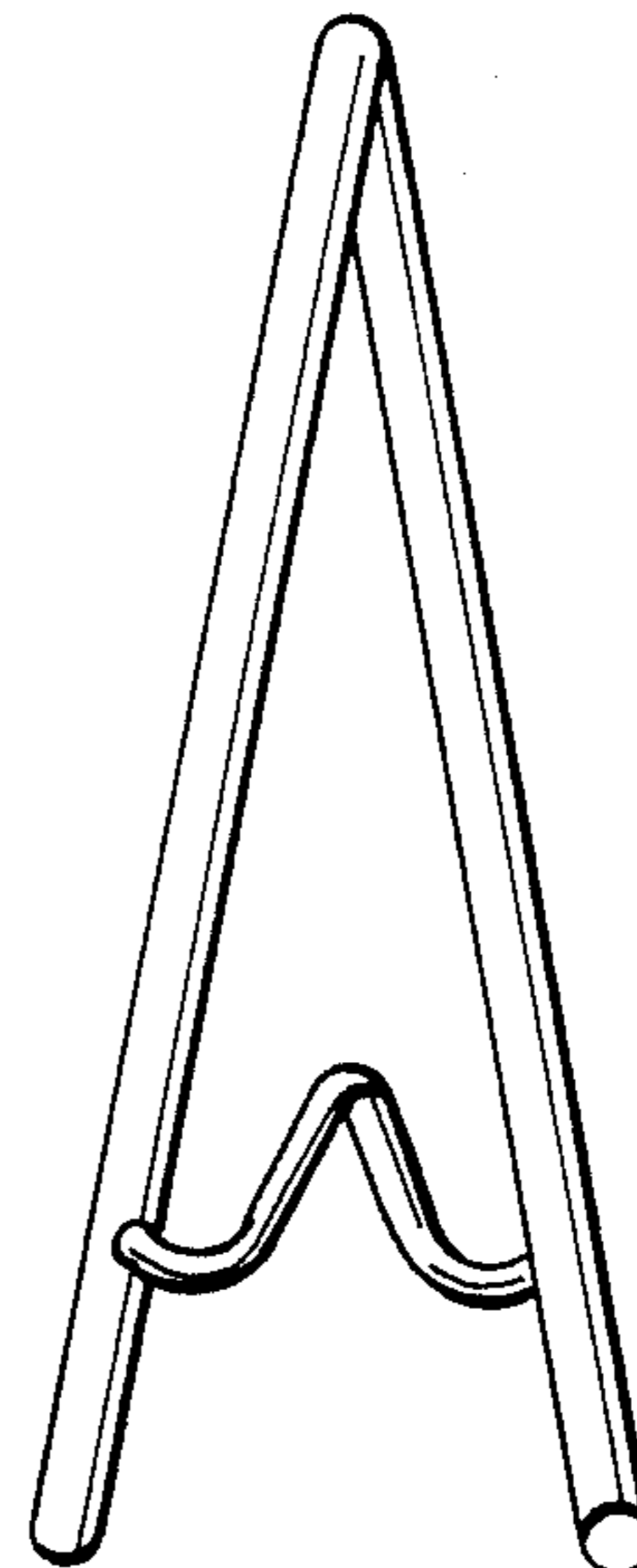
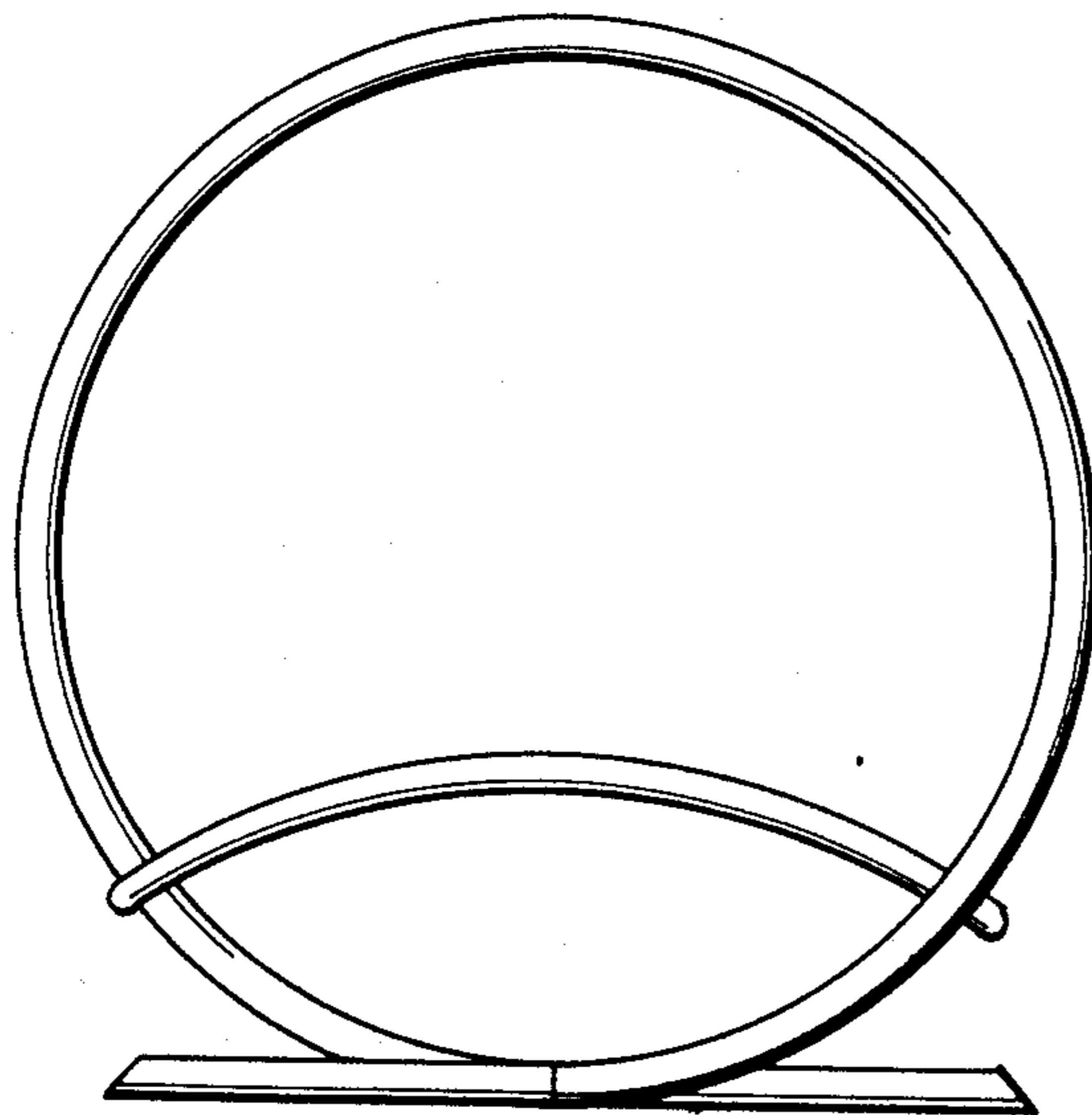


FIG. 4

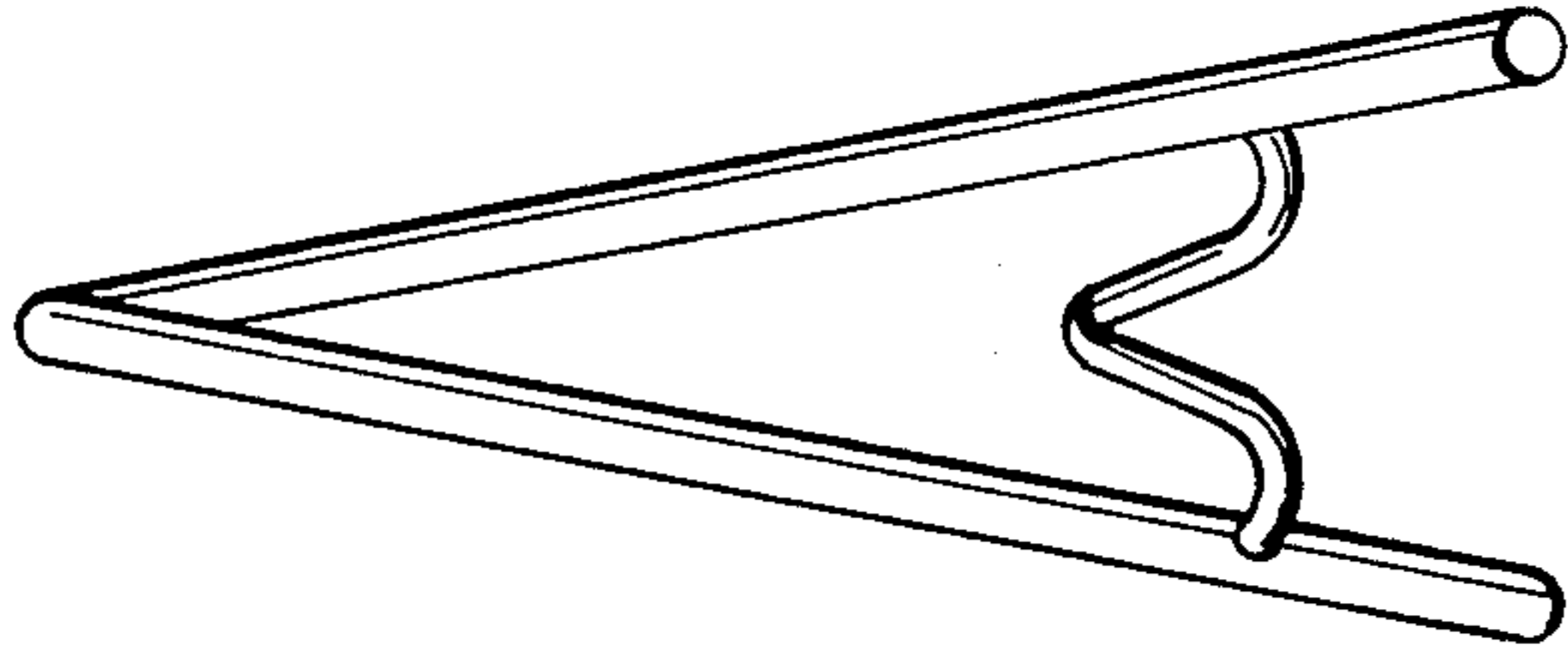


FIG. 2

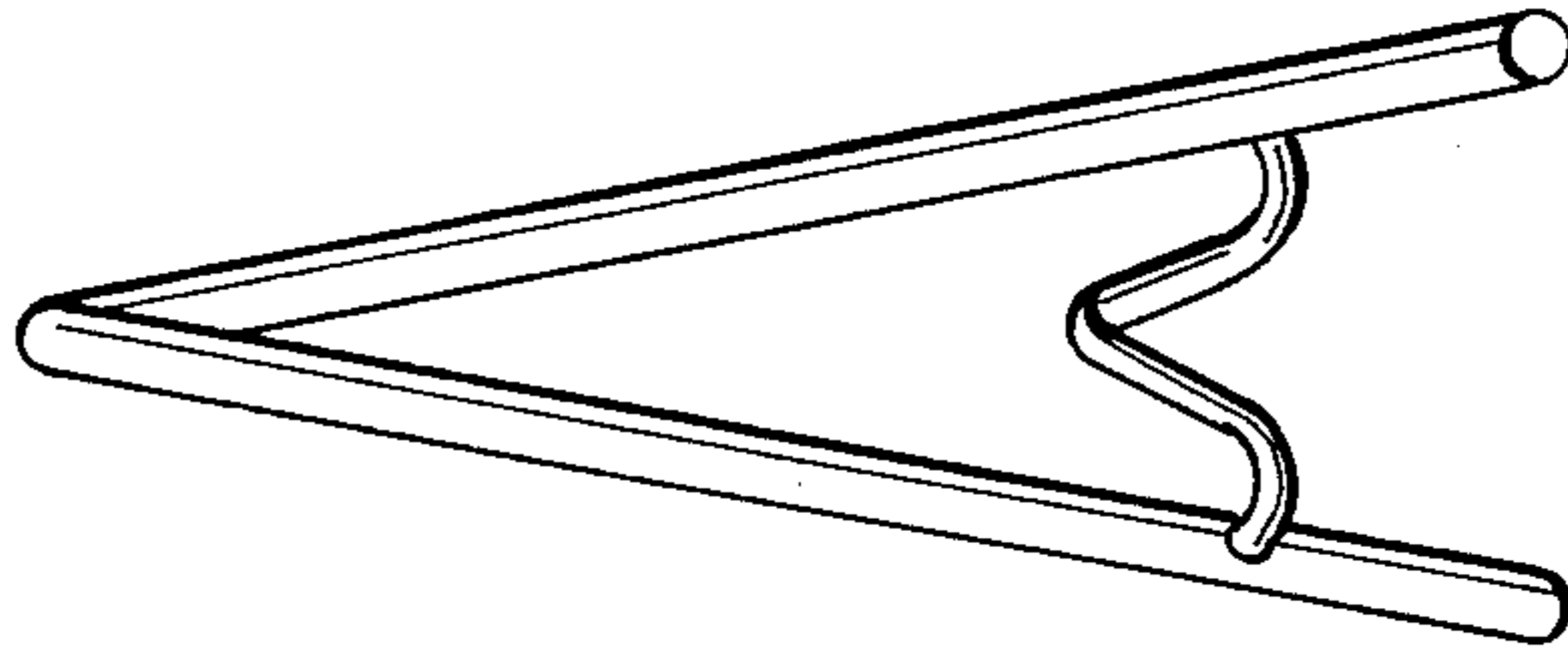
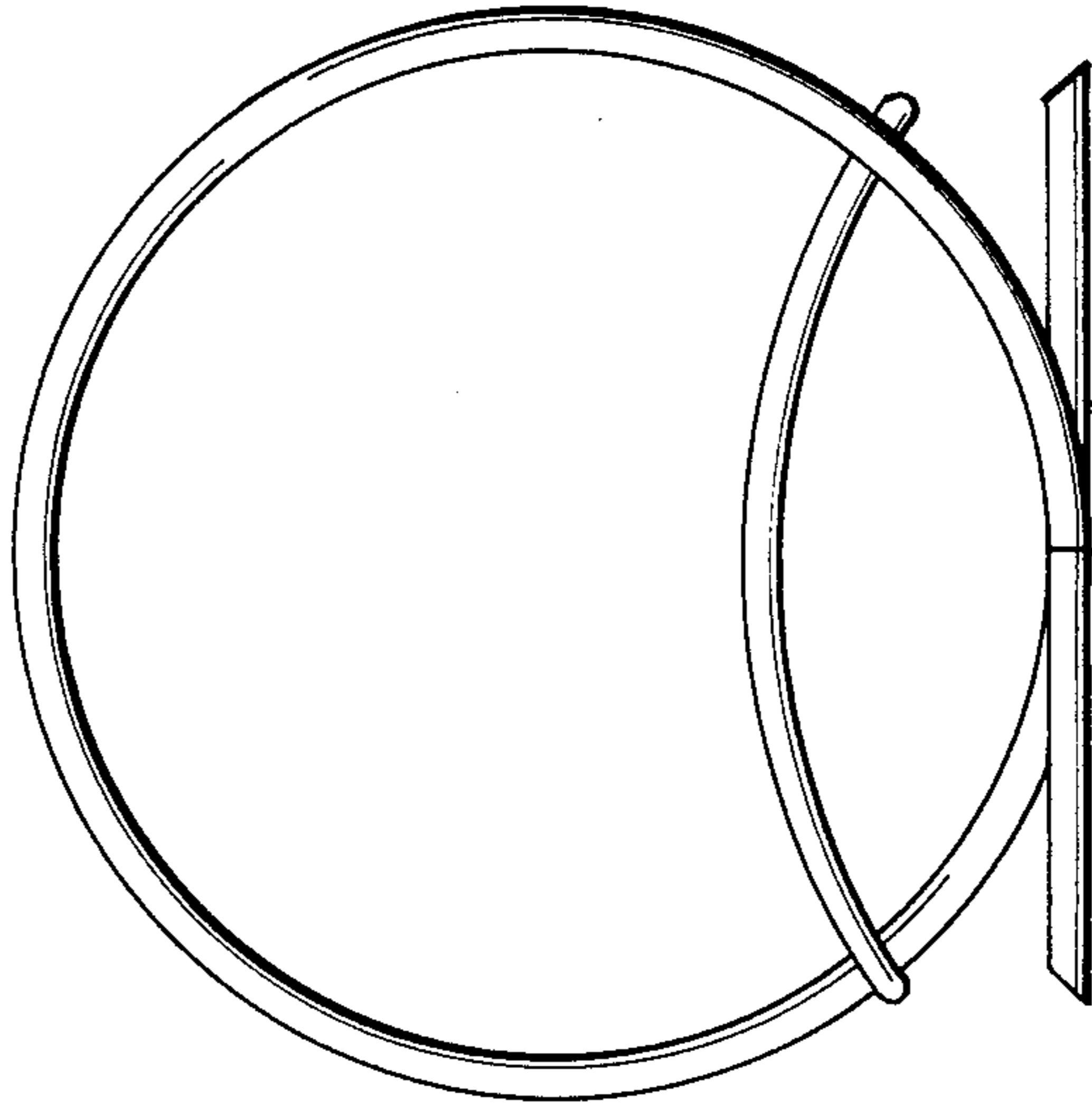


FIG. 1



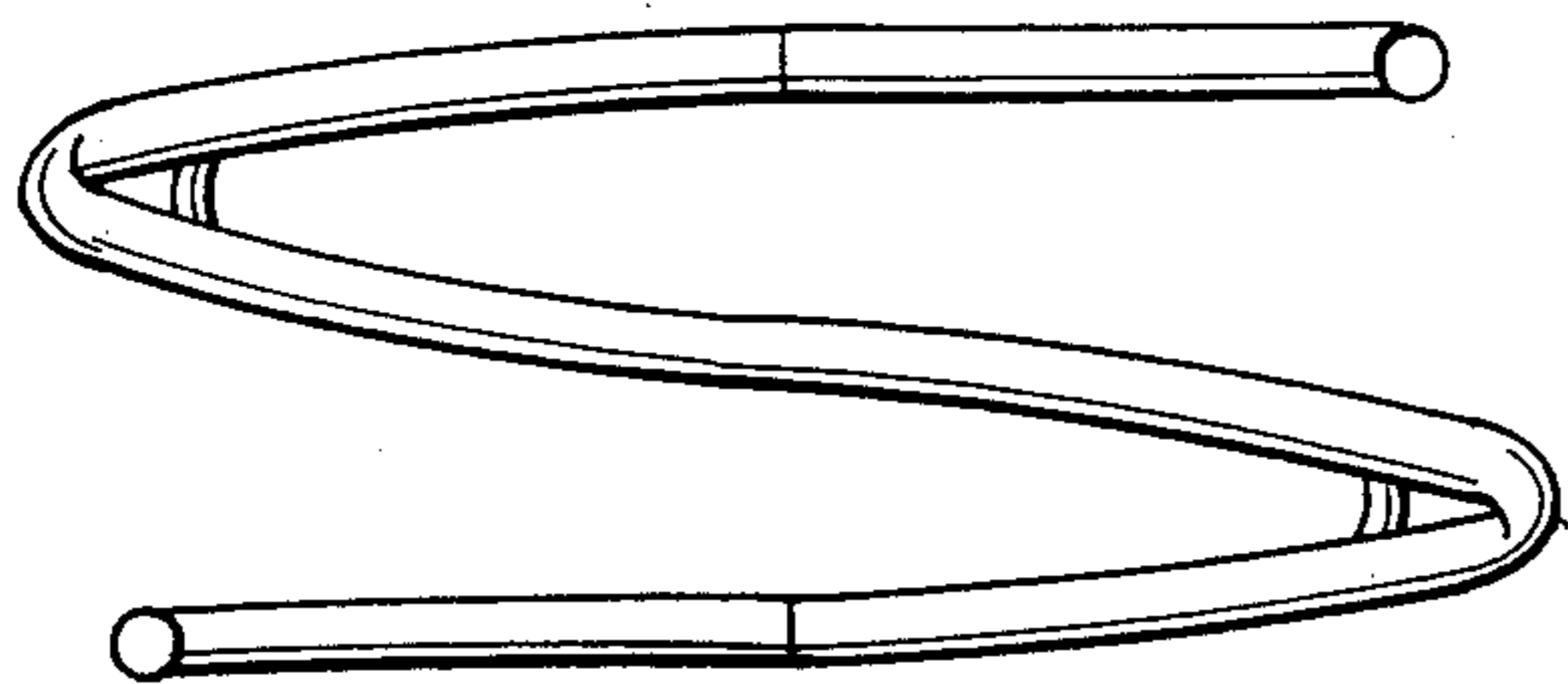


FIG. 5

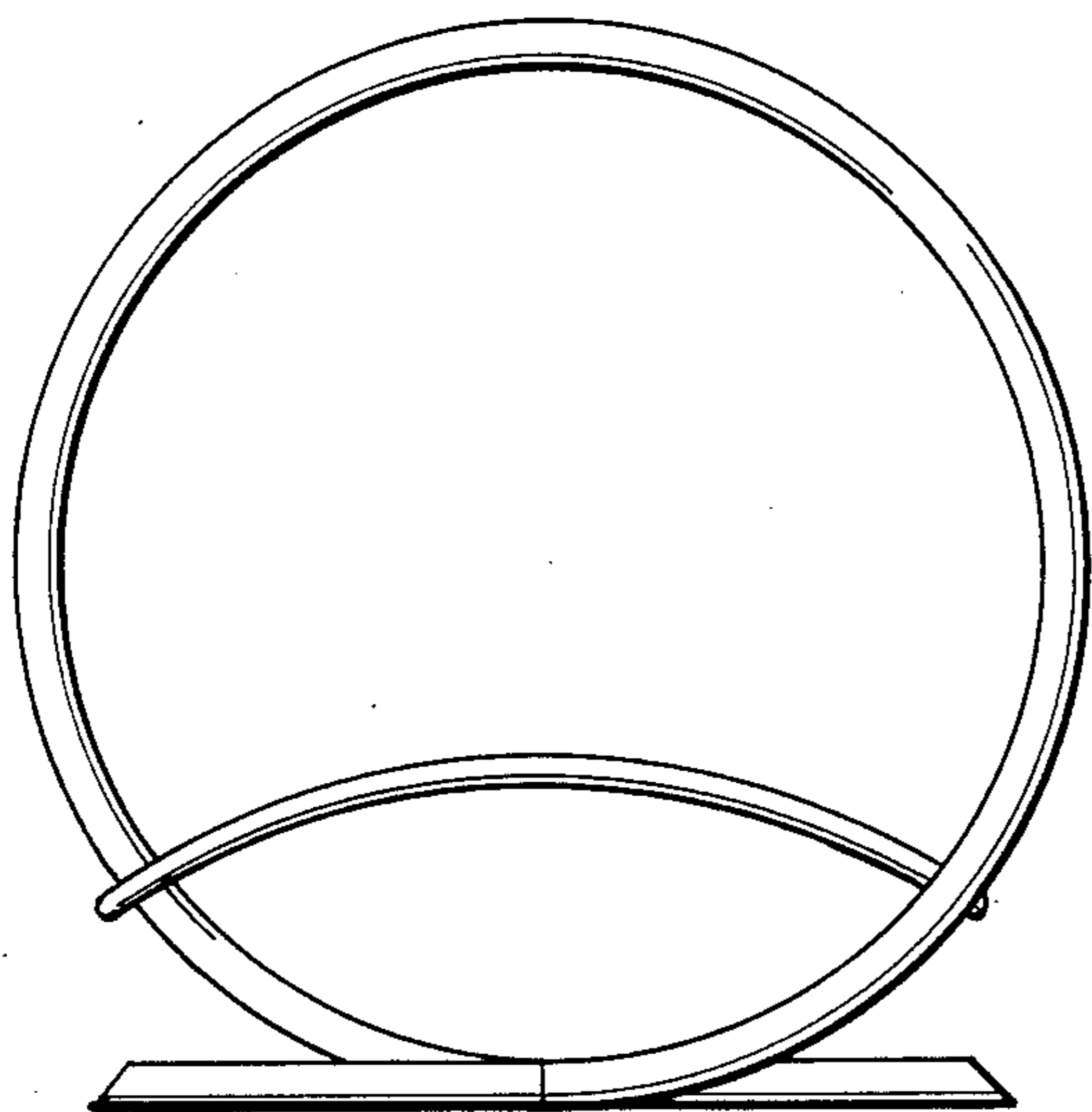


FIG. 3

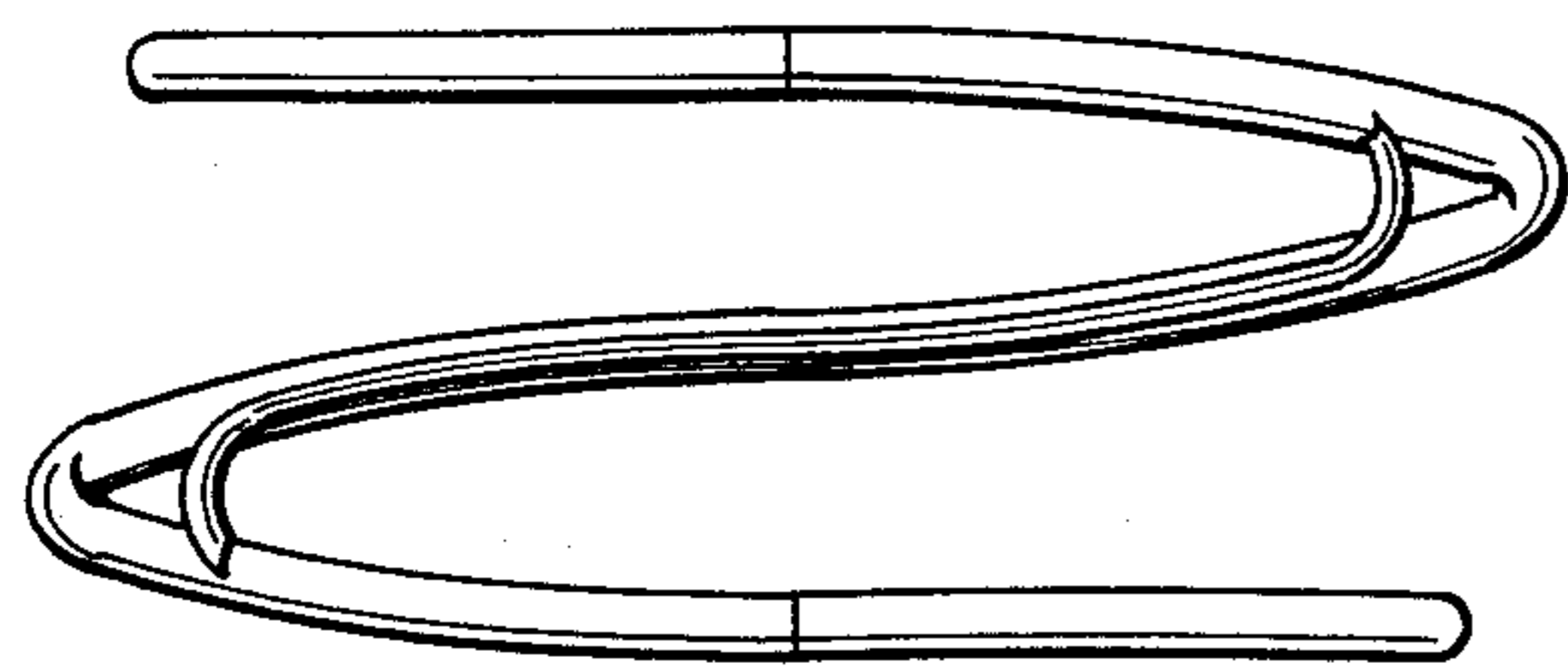


FIG. 6

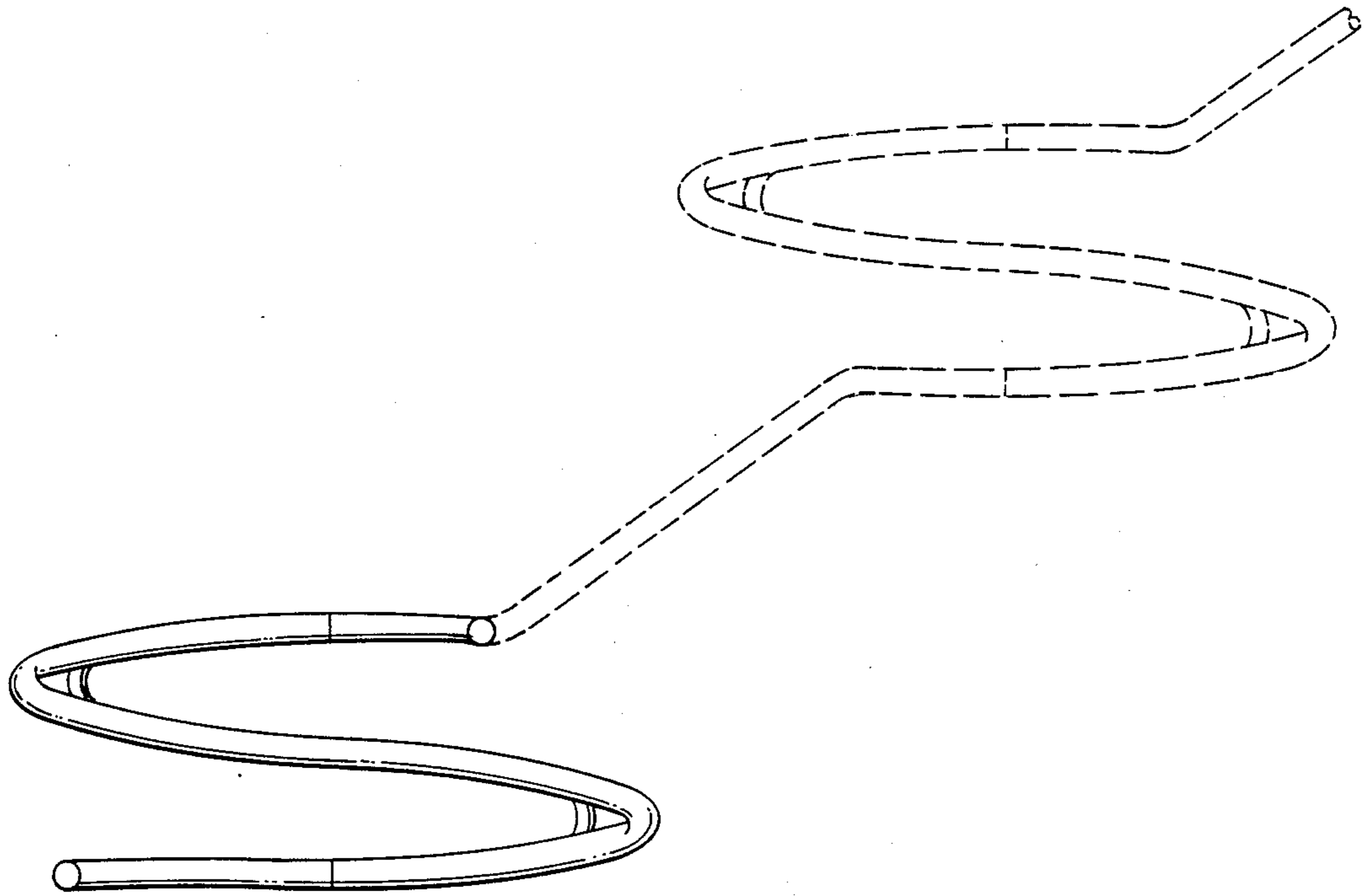


FIG. 7

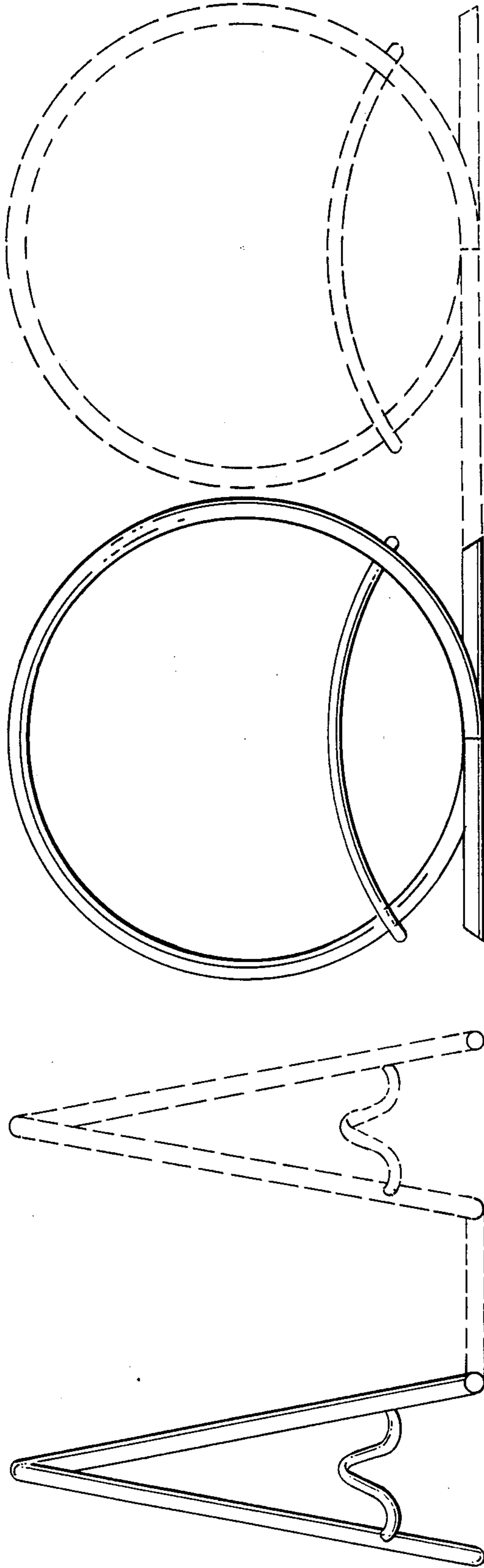


FIG. 9

FIG. 8