

[54] HEIGHT FINDER FOR A SURVEYING INSTRUMENT SUPPORT

3,808,692 5/1974 Gartner D10/72 X
3,824,695 7/1974 McClay 33/138 X

[76] Inventor: Edgar E. Dudley, 5352 First Ave.
North, Birmingham, Ala. 35212

FOREIGN PATENT DOCUMENTS

1551242 11/1968 France 33/138

[**] Term: 14 Years

Primary Examiner—Nelson C. Holtje
Attorney, Agent, or Firm—C. A. Phillips

[21] Appl. No.: 889,010

[57] CLAIM

[22] Filed: Jul. 24, 1986

The ornamental design for a height finder for a surveying instrument support, as shown and described.

[52] U.S. Cl. D10/74; D10/70;
D10/66; D10/72

[58] Field of Search D10/61-65,
D10/70-72, 66, 74; 33/137-140, 169 R

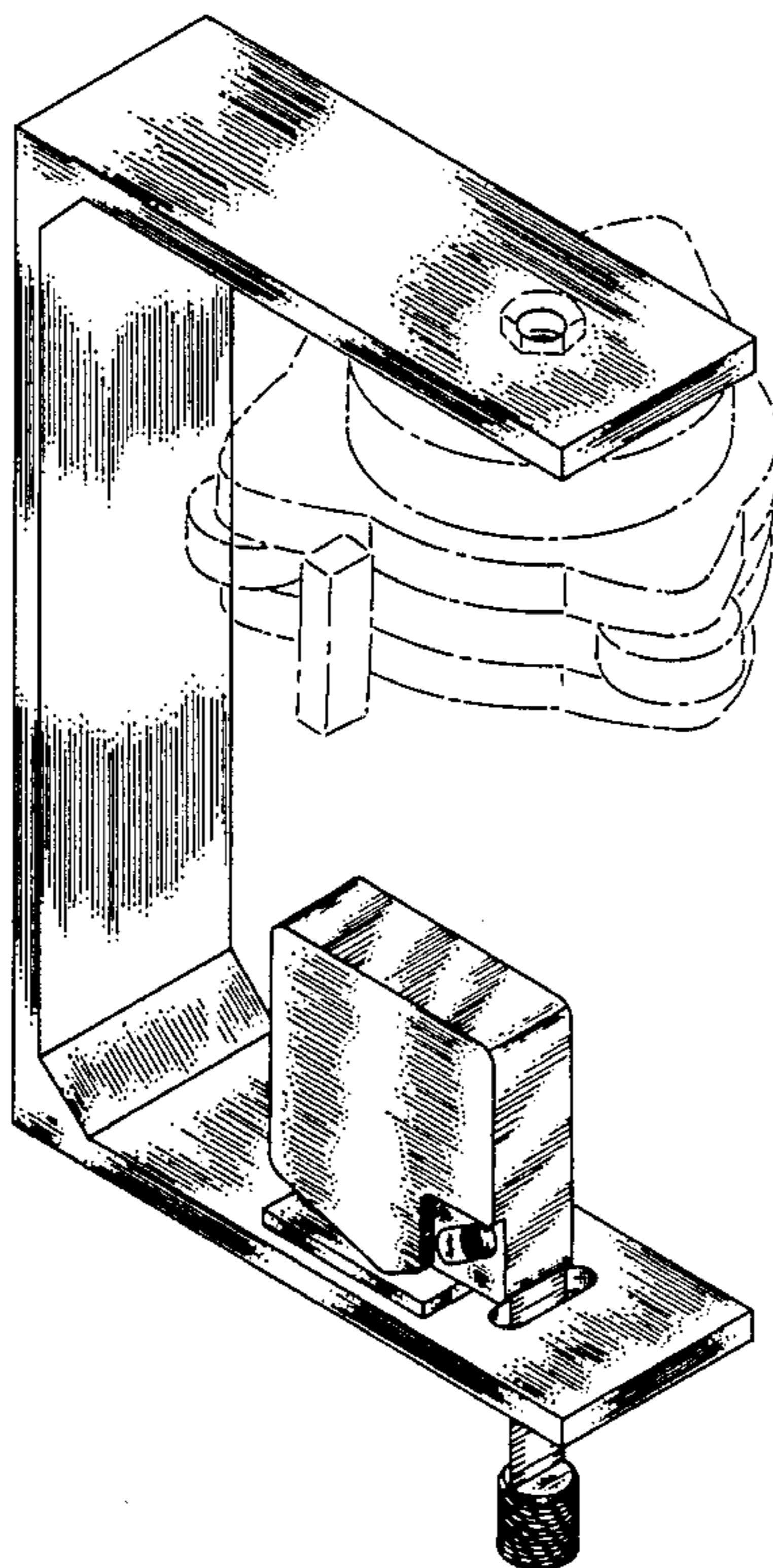
DESCRIPTION

[56] References Cited

U.S. PATENT DOCUMENTS

D. 255,104 5/1980 Haidek D10/74
D. 266,746 11/1982 Wilson D10/74
3,021,599 2/1962 Odom 33/138 X
3,390,461 7/1968 Anderson 33/138 X

FIG. 1 is a front and top-left perspective view of a height finder for a surveying instrument support showing my new design;
FIG. 2 is a front and top-right perspective view thereof;
FIG. 3 is a left side-rear perspective view thereof; and
FIG. 4 is a rear and bottom perspective view thereof.
The broken line showings of FIGS. 1-4 are environmental only and form no part of the claimed design.



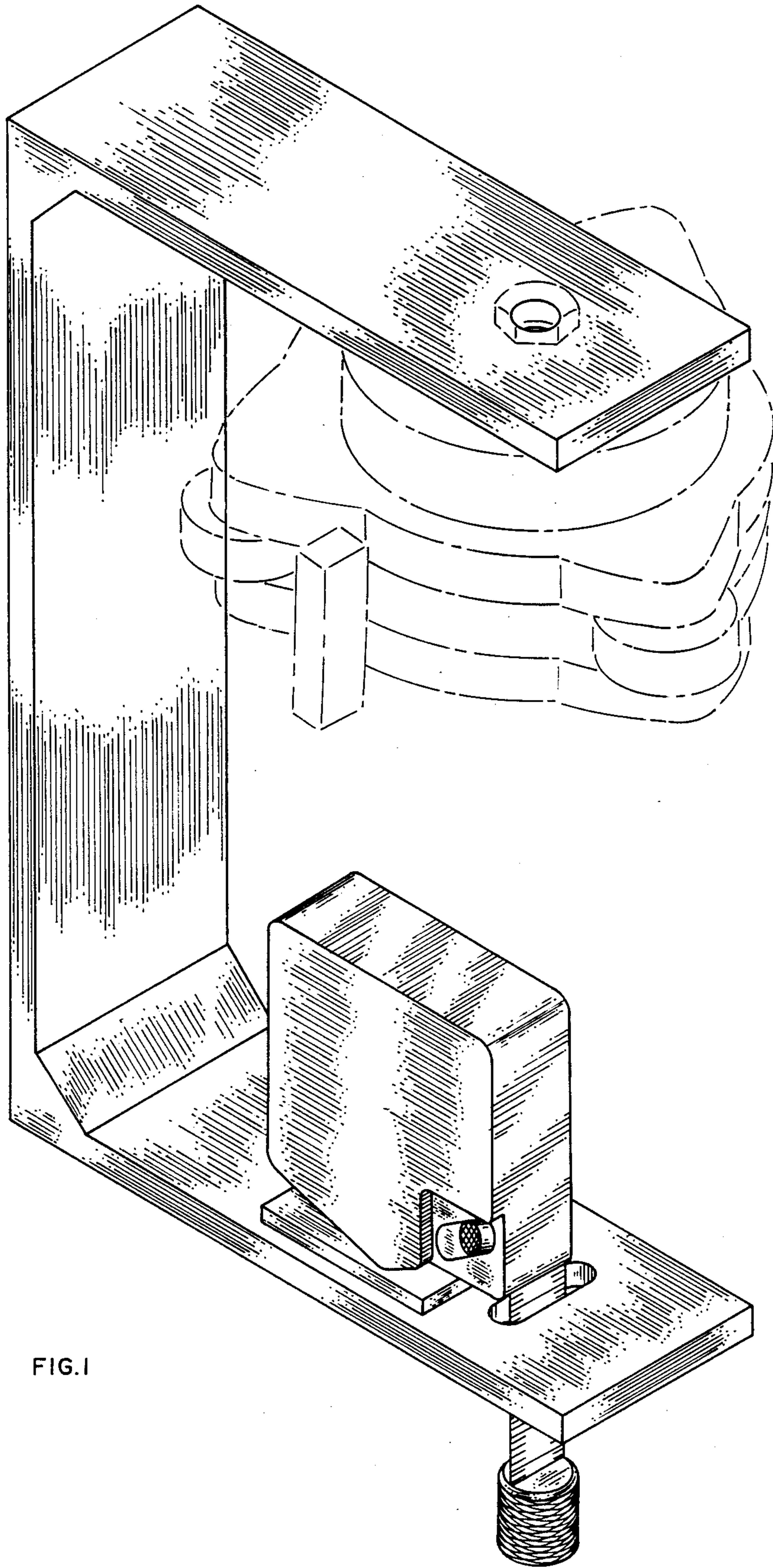


FIG. 1

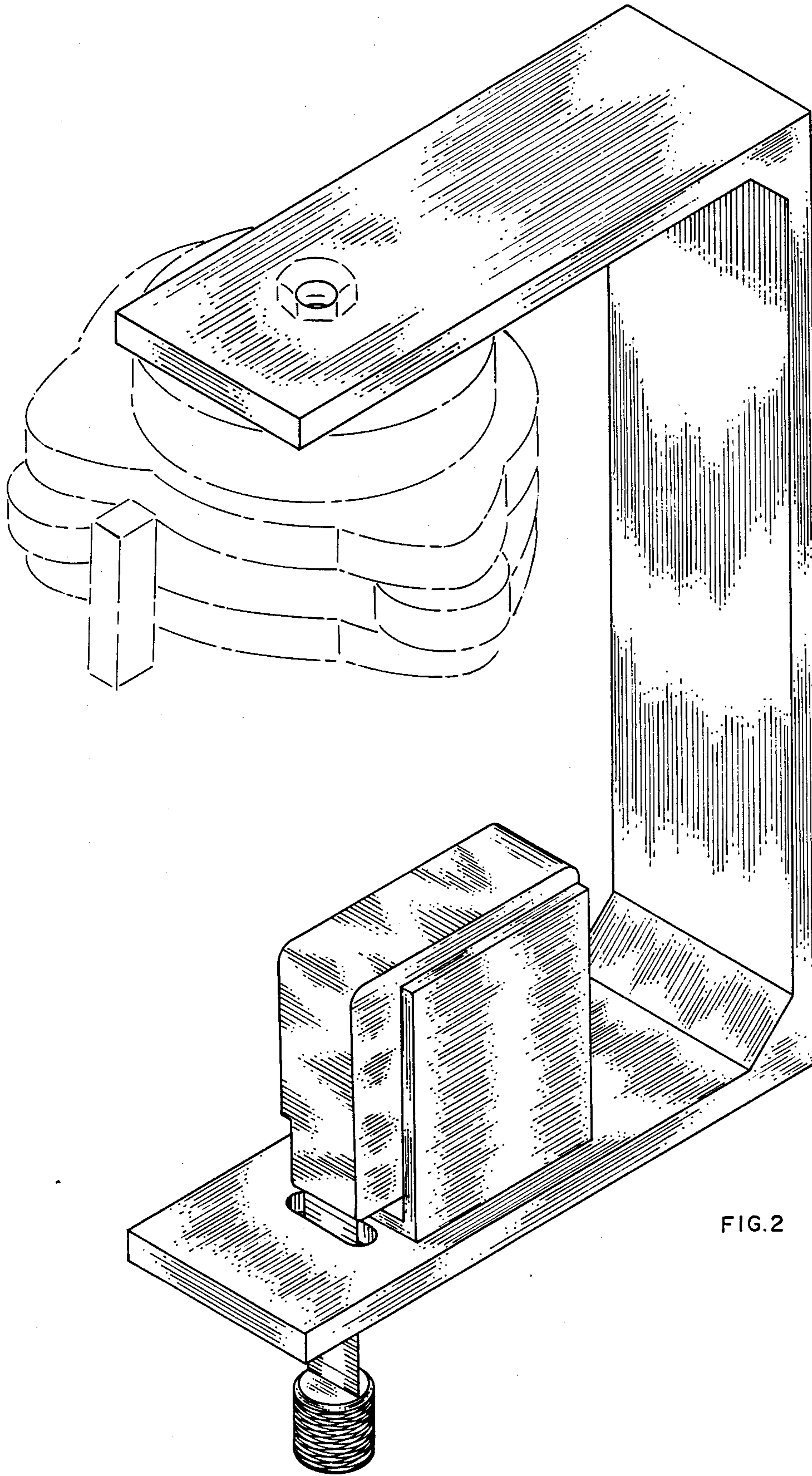


FIG. 2

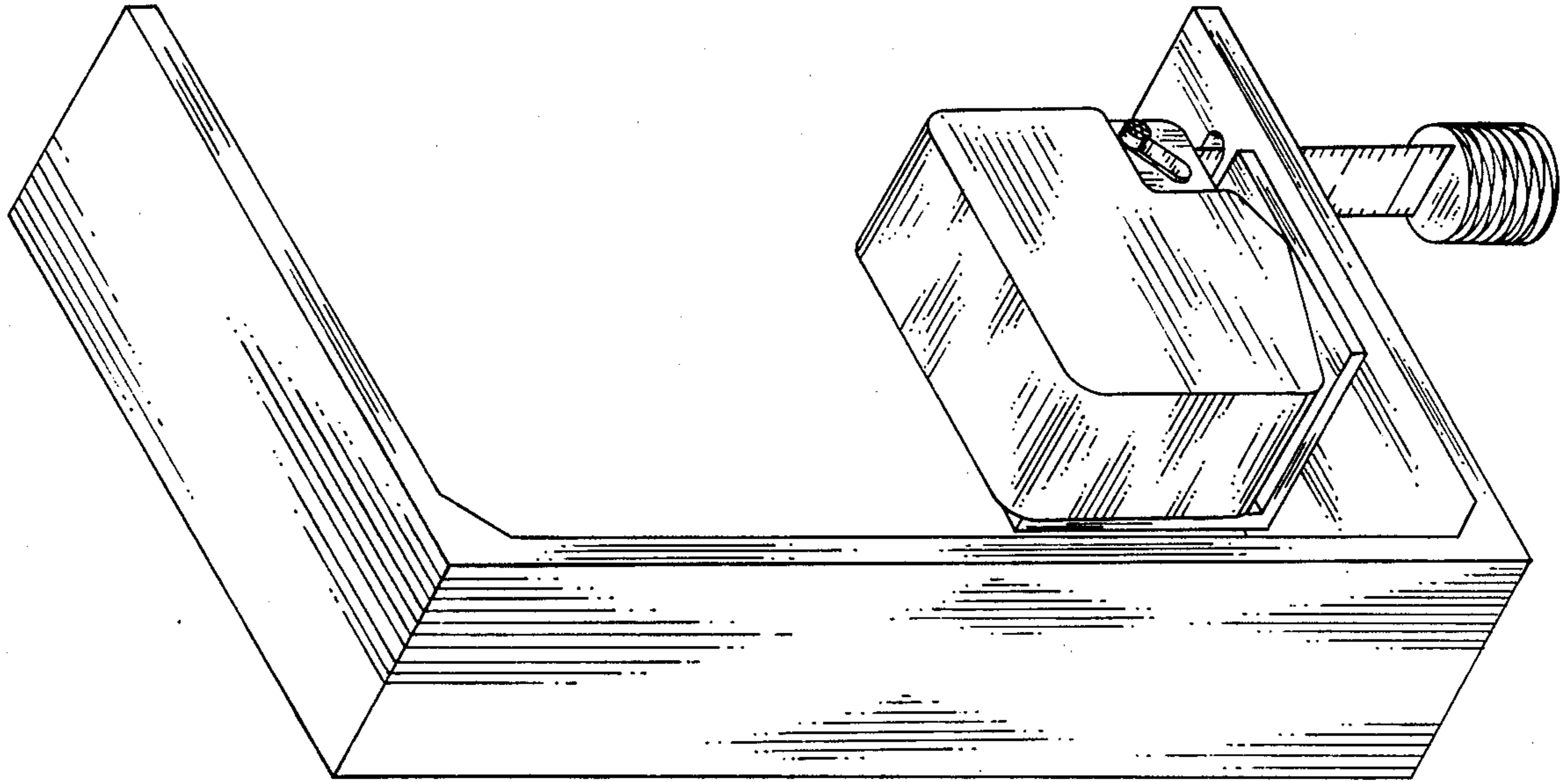


FIG. 3

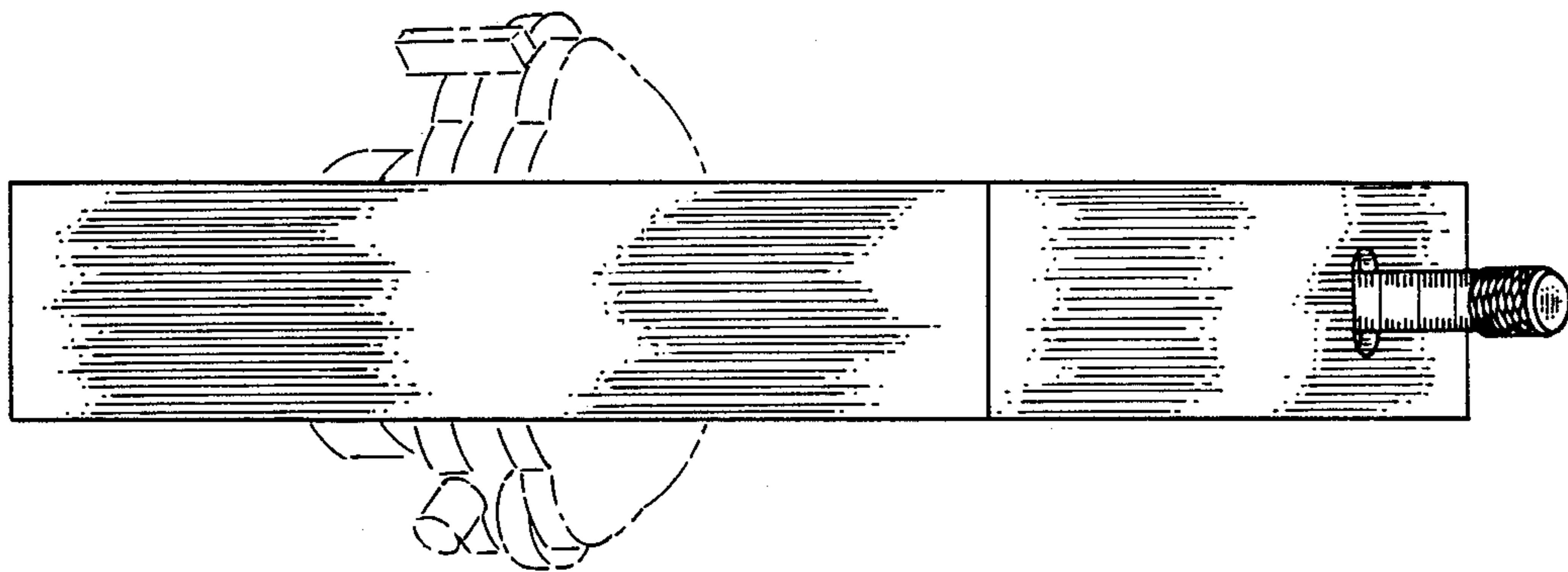


FIG. 4