

[54] **WINGNUT**  
[75] **Inventor: Teodoro J. Gonzalez, Canyon Country, Calif.**  
[73] **Assignee: Price Pfister, Inc., Pacoima, Calif.**  
[\*\*] **Term: 14 Years**  
[21] **Appl. No.: 70,313**  
[22] **Filed: Jul. 6, 1987**  
[52] **U.S. Cl. .... D8/398**  
[58] **Field of Search ..... D8/397, 398; 411/427, 411/435**

2,793,376 5/1957 Pavlinetz ..... 411/435  
3,552,257 4/1969 Tanabe ..... 411/435  
4,114,506 9/1978 Aimar ..... 411/435

*Primary Examiner*—B. J. Bullock  
*Attorney, Agent, or Firm*—Barry E. Deutsch

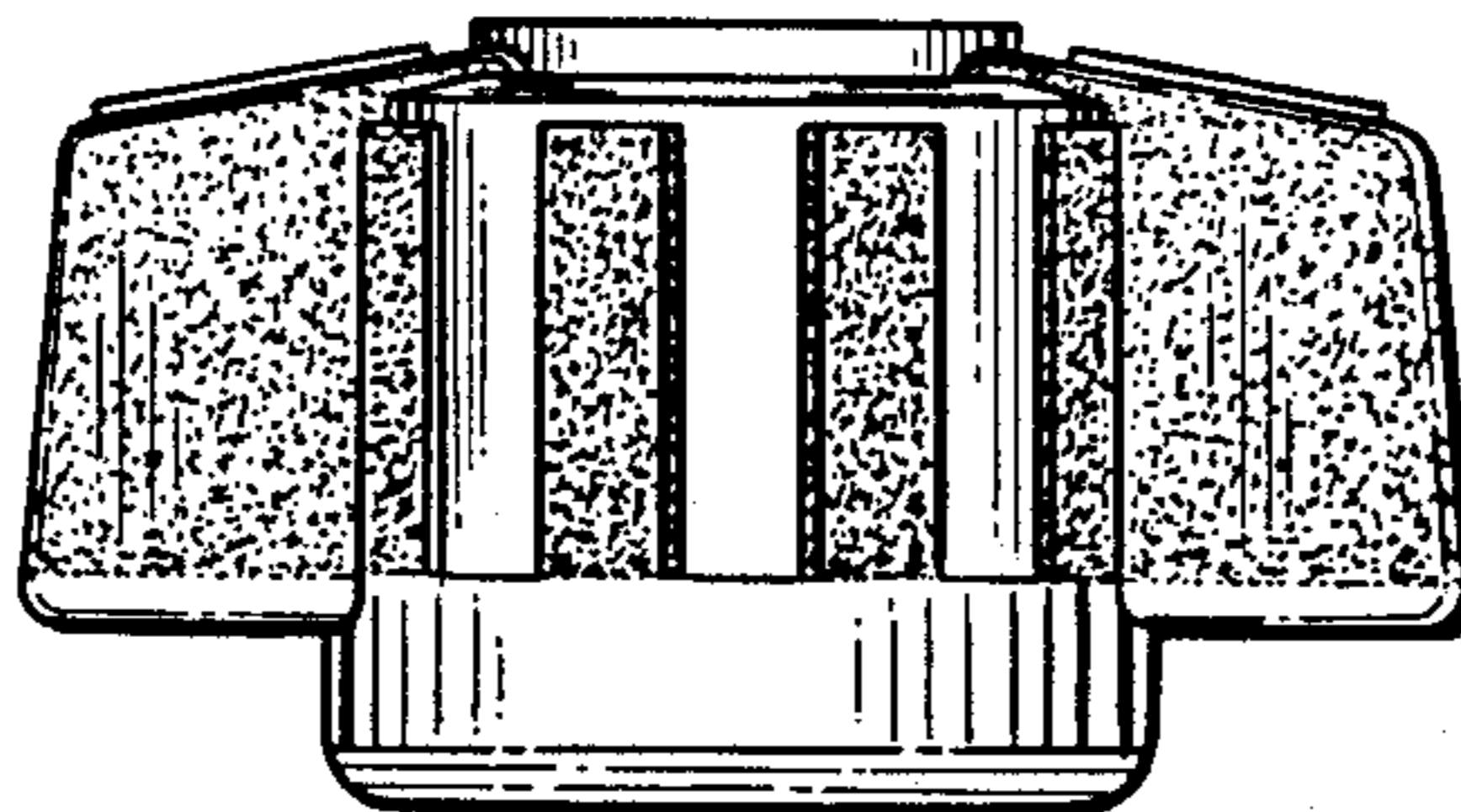
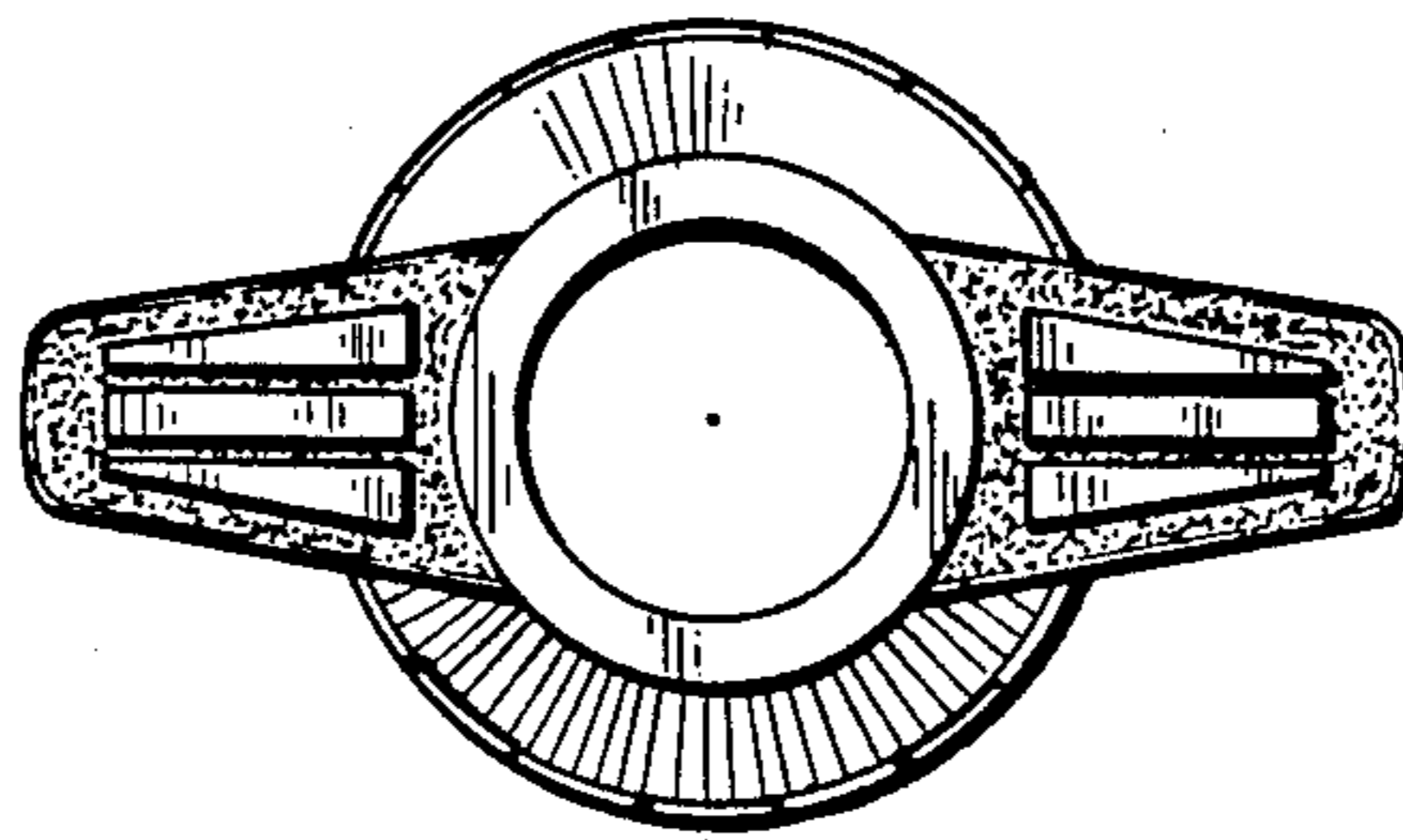
[57] **CLAIM**

The ornamental design for a wingnut, as shown and described.

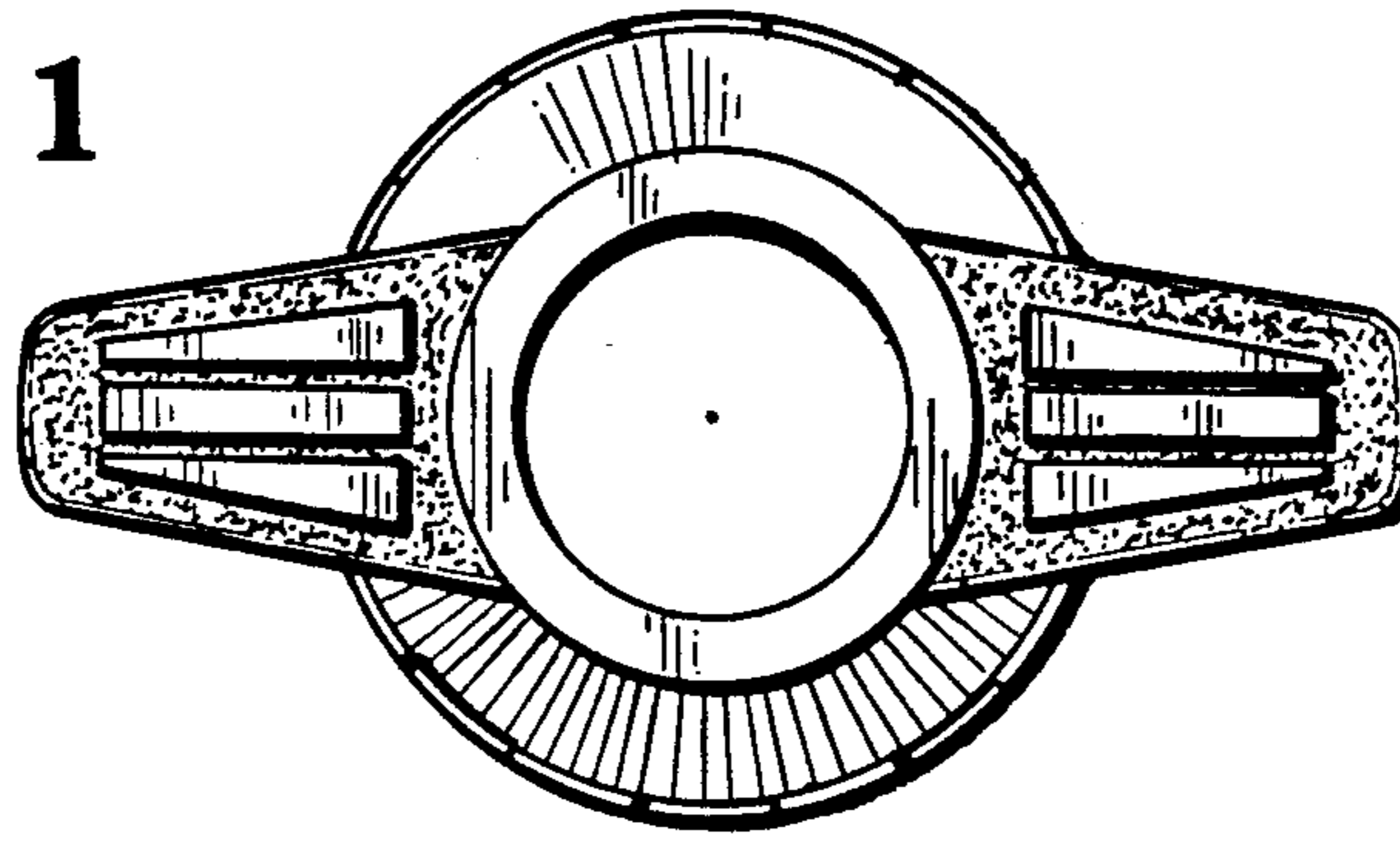
**DESCRIPTION**

FIG. 1 is a top plan view of a wingnut showing my new design;  
FIG. 2 is a front elevational view thereof, the rear being identical;  
FIG. 3 is a bottom plan view thereof.  
The sides not shown follow the contours shown in FIGS. 1 and 2.

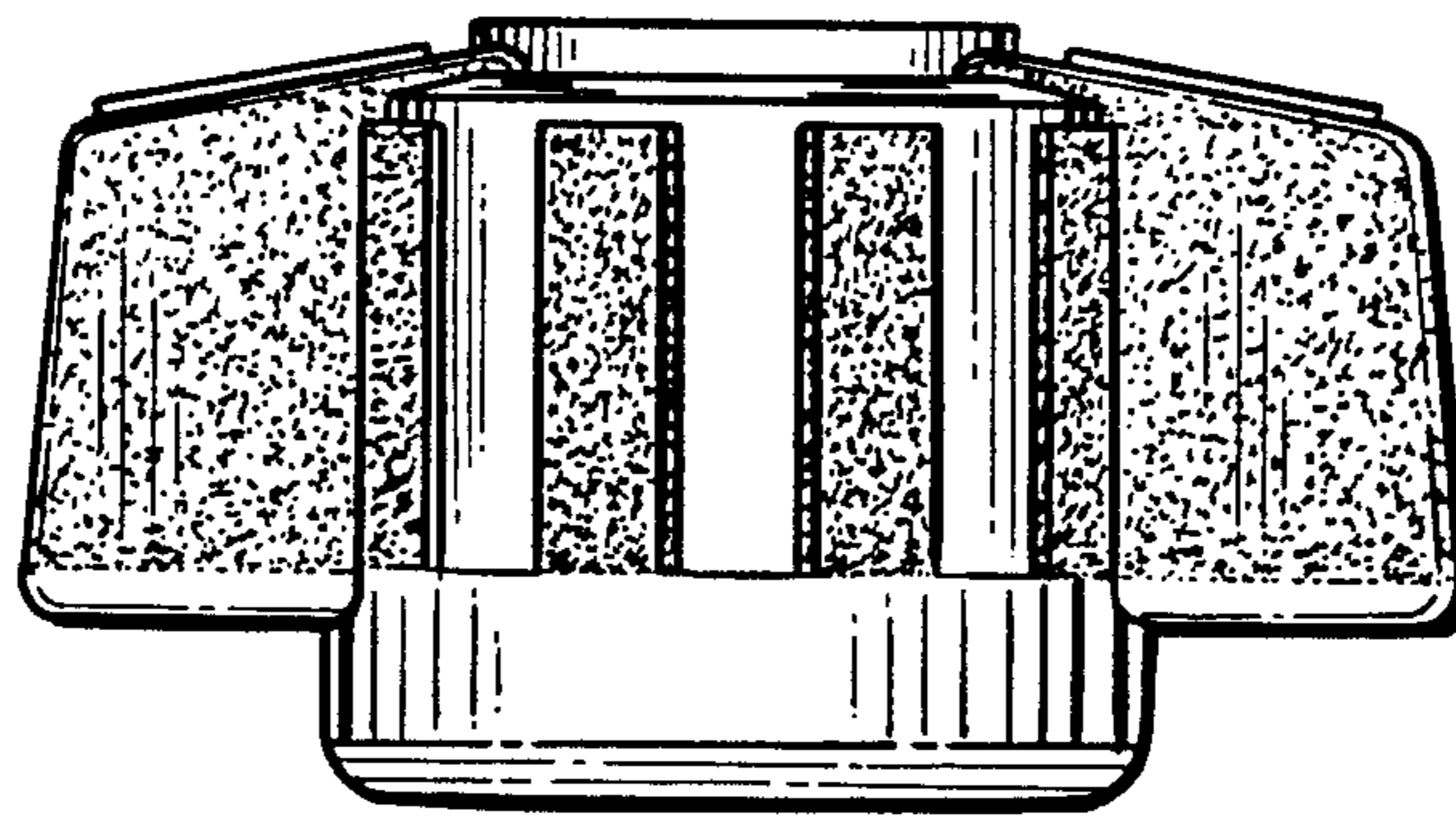
[56] **References Cited**  
**U.S. PATENT DOCUMENTS**  
D. 176,945 2/1956 Gilson ..... D8/398  
D. 274,979 8/1984 Hill ..... D8/398



**FIG. 1**



**FIG. 2**



**FIG. 3**

