

[54] **SHELF SUPPORT**
 [76] **Inventor: Martin Zell, 1479 Woodland Rd., York, Pa.**
 [**] **Term: 14 Years**
 [21] **Appl. No.: 120,509**
 [22] **Filed: Nov. 13, 1987**
 [52] **U.S. Cl. D8/380; D8/381; D8/373; D6/567**
 [58] **Field of Search D8/380, 381, 371; 248/250, 243; D6/567, 574**

2,793,560 5/1957 Butchaell 248/489 X
 3,471,111 10/1969 MacDonald 248/250 X
 4,037,813 7/1977 Loui et al. 248/250
 4,053,132 10/1977 Del Pozzo 248/250 X
 4,666,117 5/1987 Taft 248/250 X
 4,732,358 3/1988 Hughes et al. 248/243
 4,765,575 8/1988 Bergi et al. 248/250

Primary Examiner—Horace B. Fay, Jr.
Attorney, Agent, or Firm—William J. Ruano

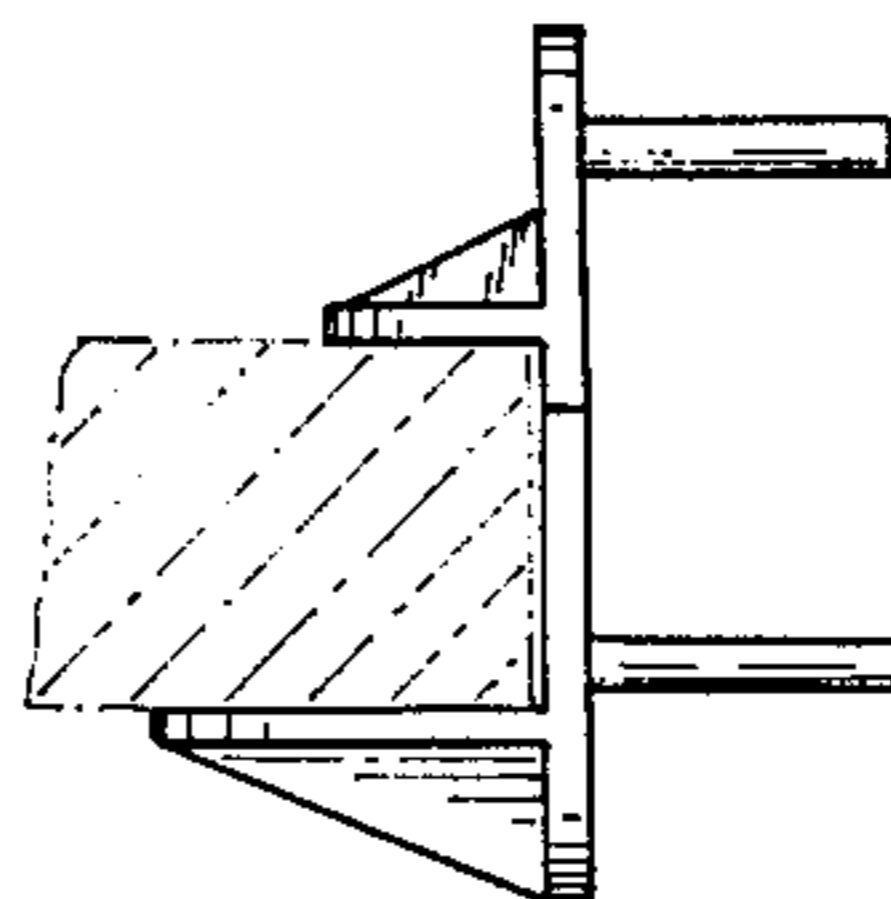
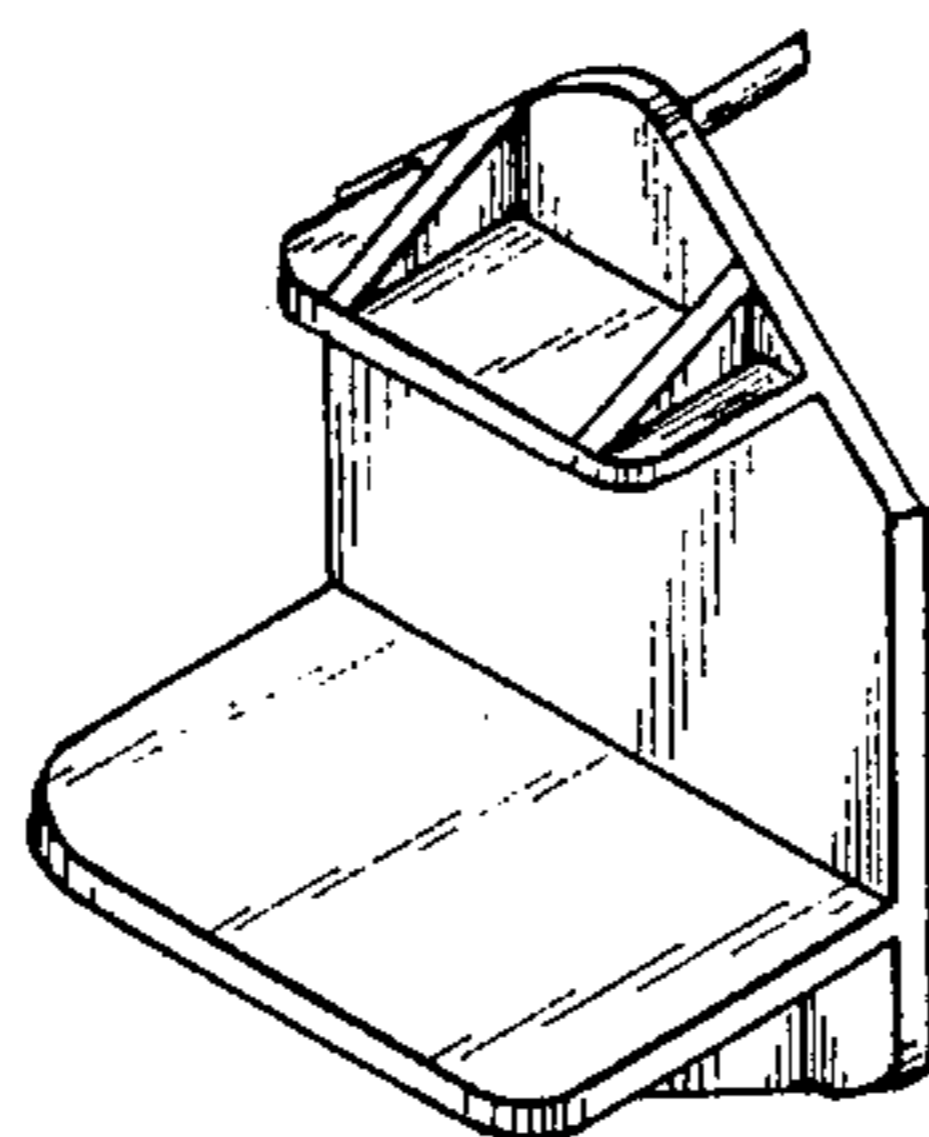
[57] **CLAIM**

The ornamental design for a shelf support, as shown and described.

- [56] **References Cited**
U.S. PATENT DOCUMENTS
- | | | | | |
|------------|---------|-------------|-------|----------|
| D. 27,175 | 6/1897 | Shepard | | D8/381 |
| D. 43,446 | 1/1913 | Warner | | D8/381 |
| D. 45,052 | 12/1913 | Vail | | D8/381 X |
| D. 112,589 | 12/1938 | Lowen | | D8/371 |
| D. 164,266 | 8/1951 | Simpson | | D8/381 |
| D. 198,471 | 6/1964 | Rankin, Sr. | | D8/381 |
| D. 287,569 | 1/1987 | Shepard | | D8/381 |
| D. 289,605 | 5/1987 | Lytle | | D8/381 |
| D. 297,410 | 8/1988 | Sachs | | D8/354 X |
| 750,595 | 1/1904 | Campbell | | 248/250 |
| 883,323 | 3/1908 | MacDuff | | 248/250 |

DESCRIPTION

FIG. 1 is a front, top and right side perspective view of a shelf support showing my new design;
 FIGS. 2 and 3 are respectively front and right side elevational views thereof, the left side elevational view being a mirror image;
 FIGS. 4 and 5 are respectively top and bottom plan views thereof; and
 FIG. 6 is a bottom plan view thereof.
 The broken line showing of a shelf portion in FIG. 3 is for illustrative purposes only and forms no part of the claimed design.



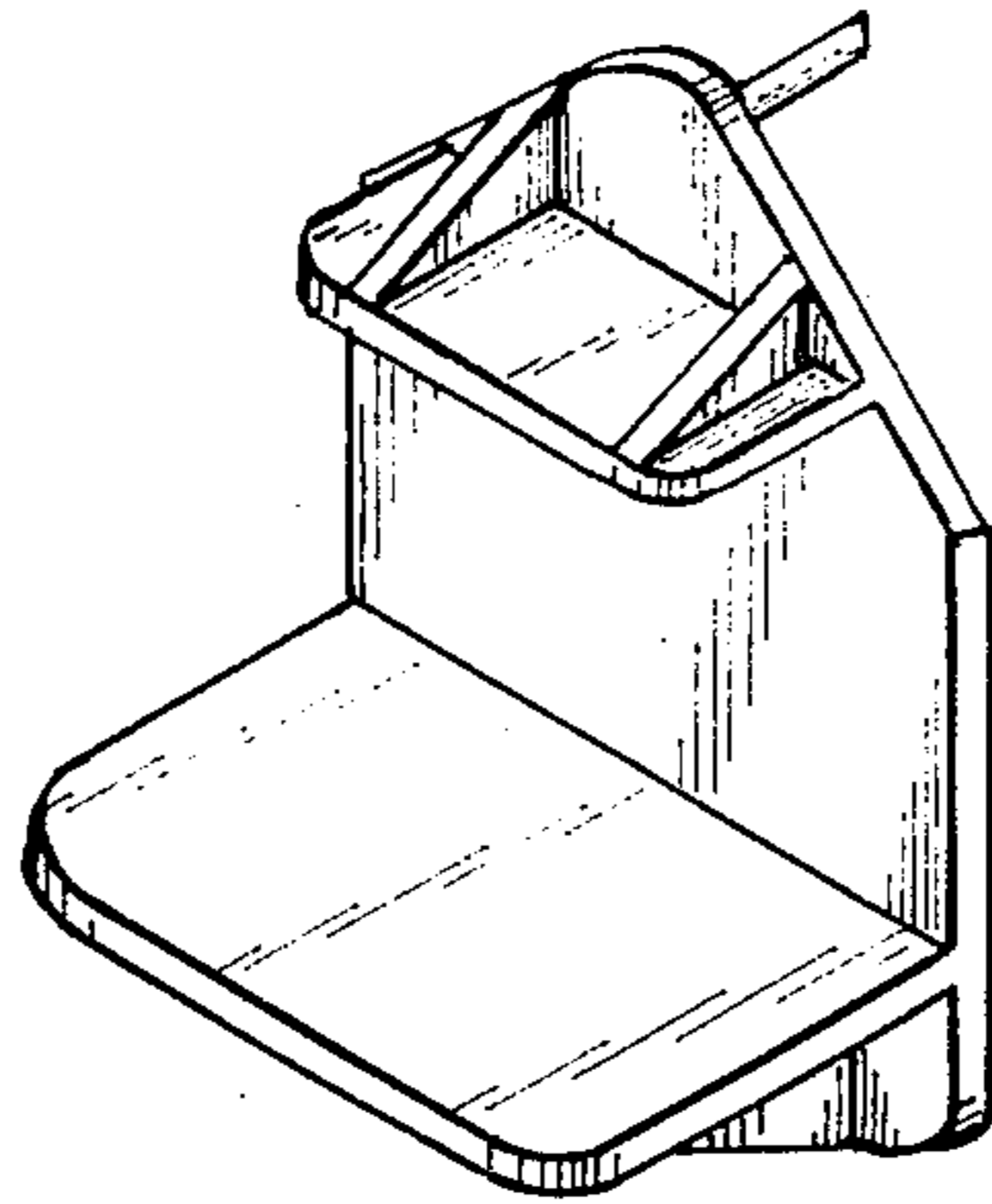


Fig. 1

Fig. 2

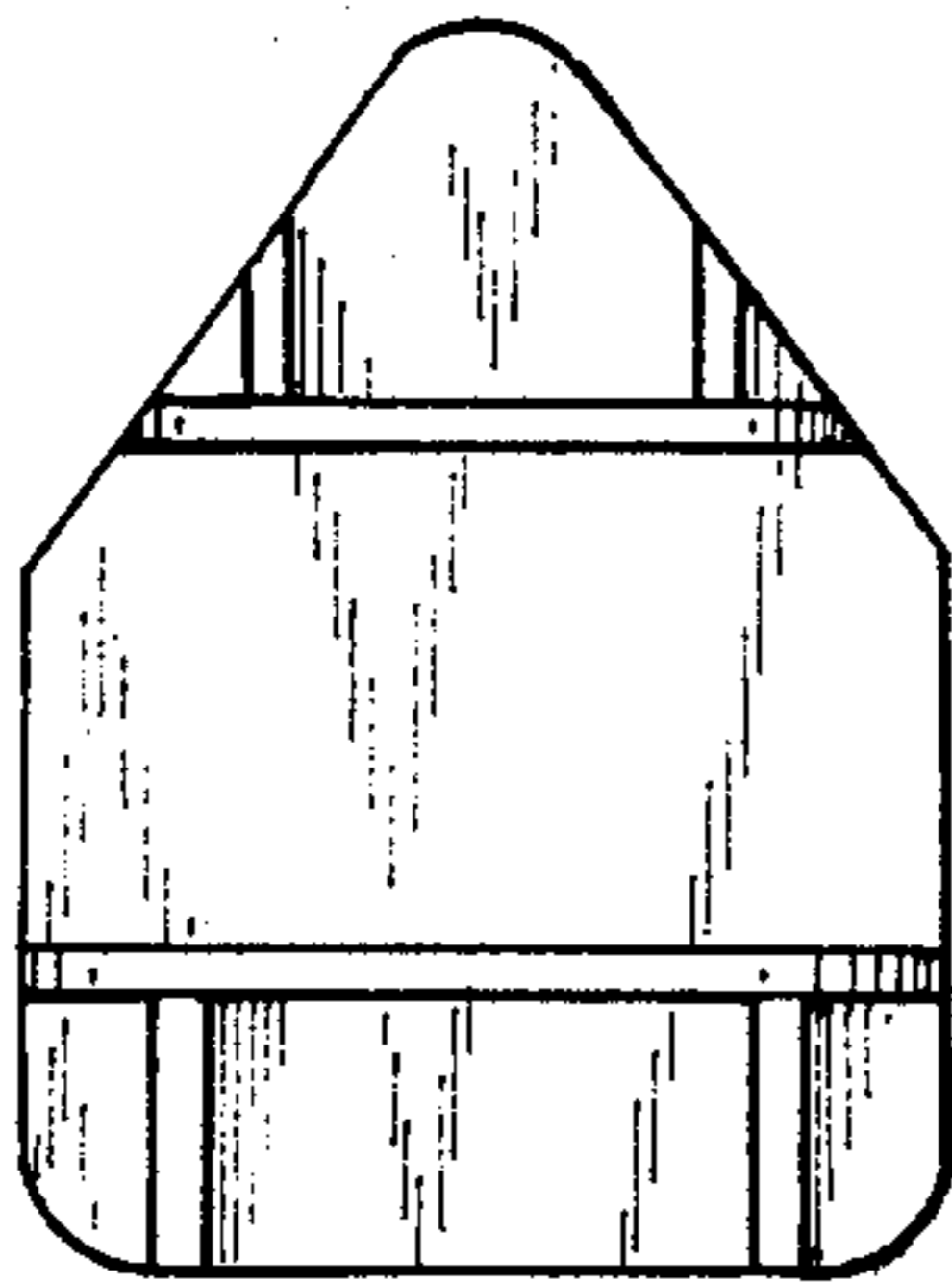


Fig. 3

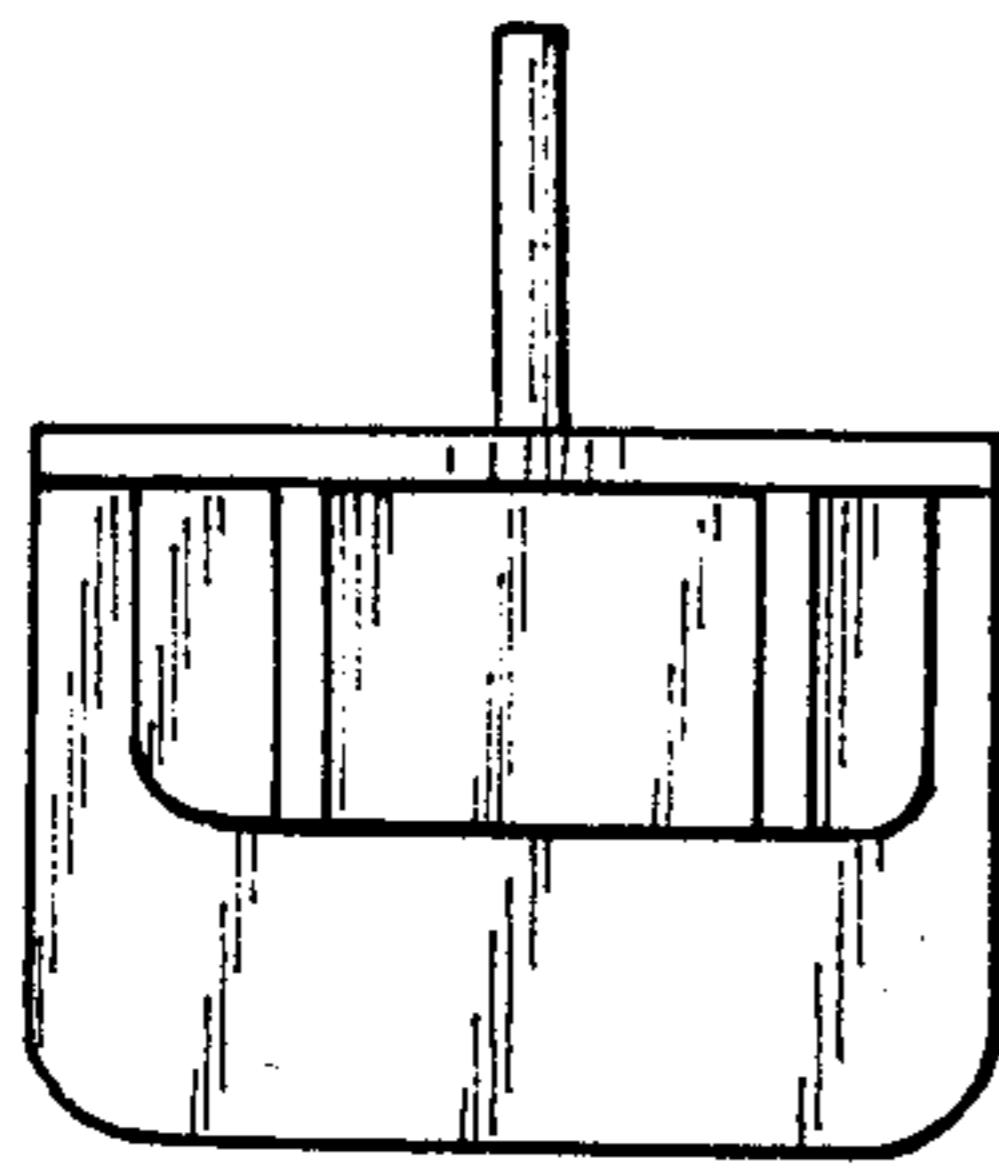
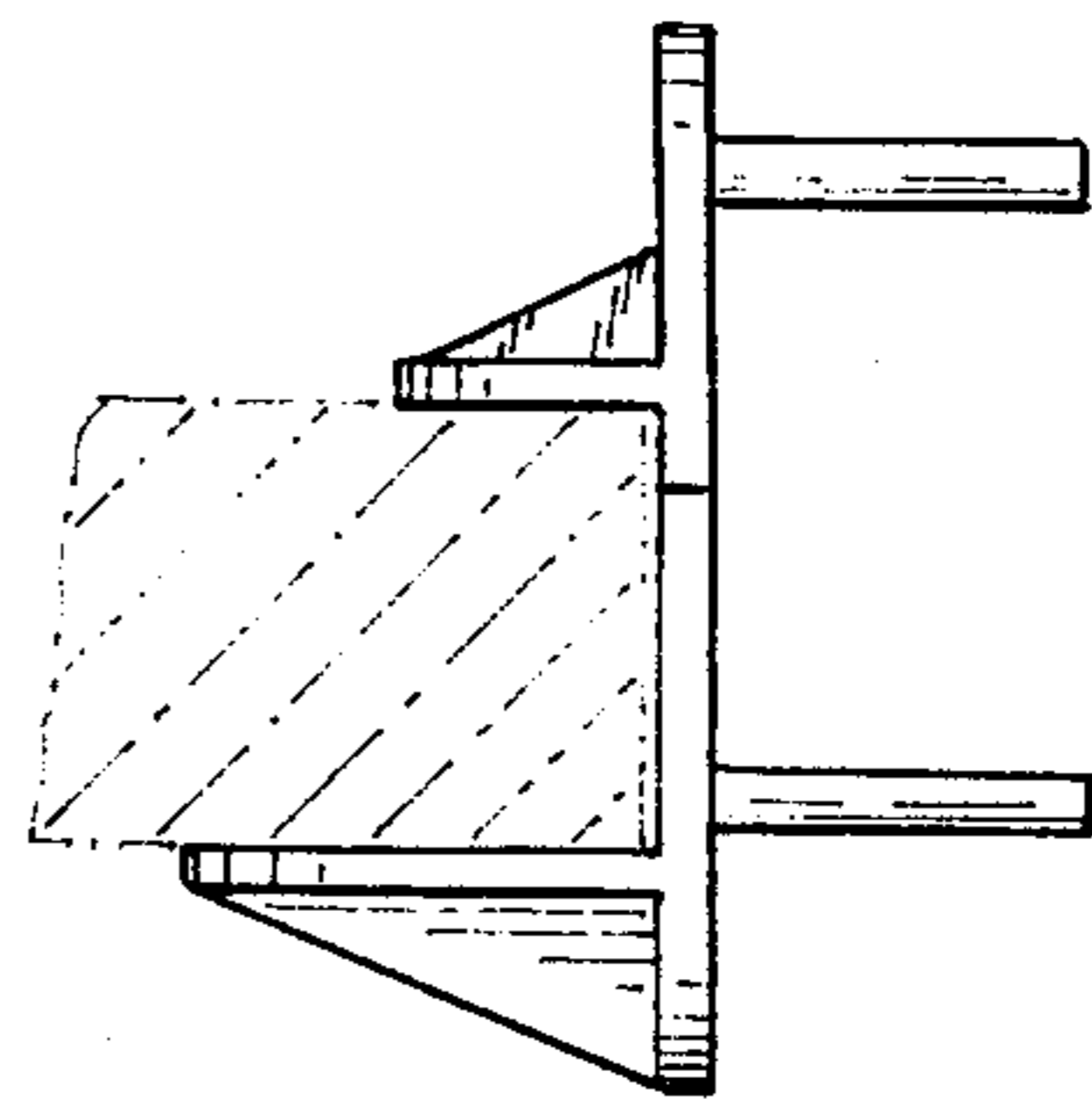


Fig. 4

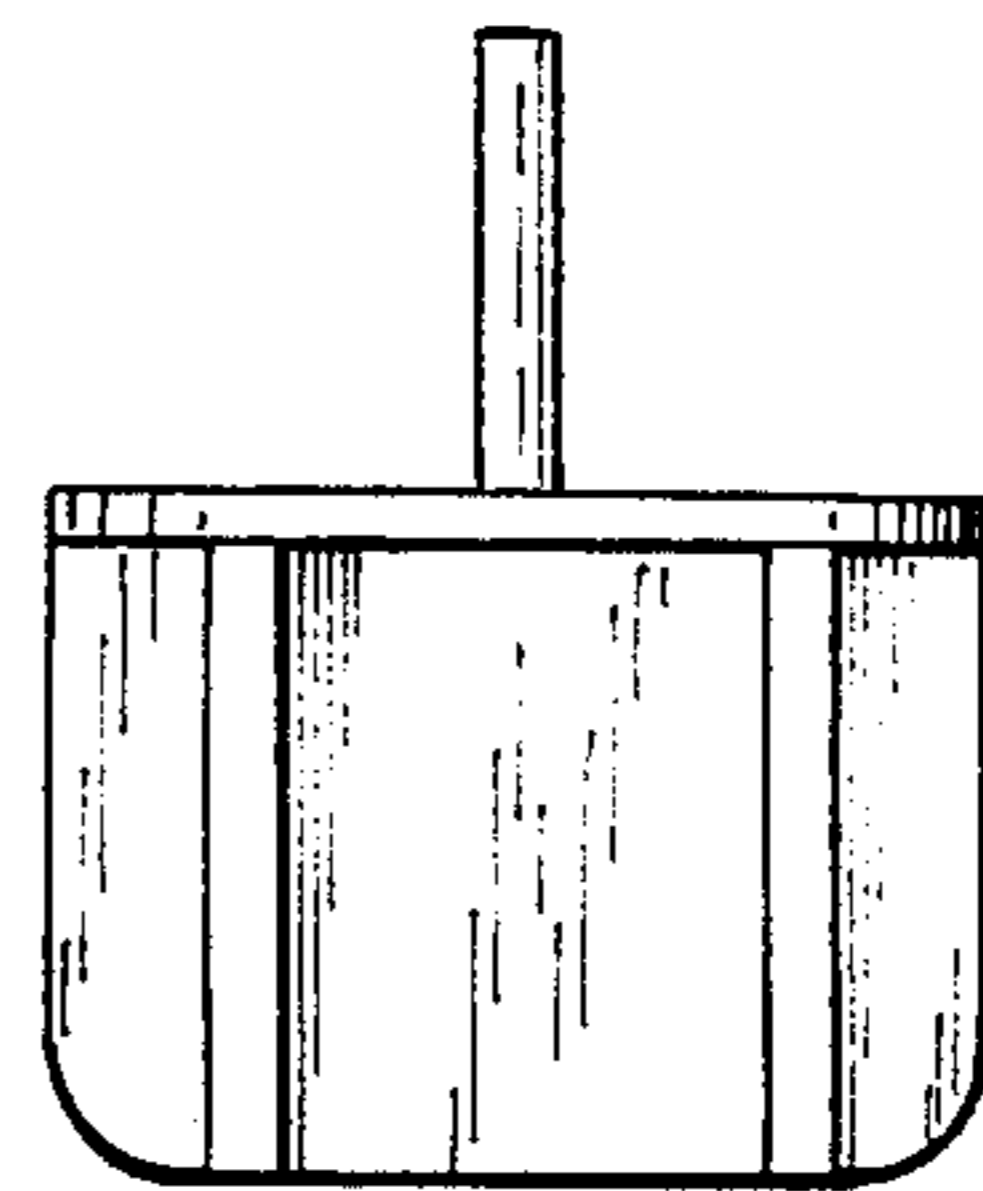


Fig. 5

Fig. 6

