

[54] MOUNTING BRACKET FOR A FLUSH-MOUNTED LATCH ASSEMBLY

[75] Inventors: Richard H. Russell, Farmington; Thomas V. McLinden, Oxford, both of Conn.

[73] Assignee: The Eastern Company, Cleveland, Ohio

[\*\*] Term: 14 Years

[21] Appl. No.: 72,280

[22] Filed: Jul. 10, 1987

[52] U.S. Cl. .... D8/366; D8/343

[58] Field of Search ..... D8/343-344, D8/354, 366, 373; 70/416-417, 431, 450-451, 466; 292/253; 248/200, 231.9, 300, 309.1

[56] References Cited

U.S. PATENT DOCUMENTS

D. 230,009	1/1974	Royster, Sr. ....	D8/344
D. 256,663	9/1980	Gilb .....	D8/366 X
D. 257,663	12/1980	McKee .....	D8/366 X
D. 285,647	9/1986	Sachs .....	D8/354 X
2,357,552	9/1944	Schlage .....	70/450 X
4,548,062	10/1985	Kaufman .....	70/417
4,706,478	11/1987	Swan et al. ....	70/208

OTHER PUBLICATIONS

Southco Inc., *Southco Fasteners Handbook* 37, Concordville, PA 19331, date unknown.

Eberhard Manufacturing Co., *Handbook of Latches, Locks, Hinges, Handles, and Related Hardware* No. 103, Cleveland, OH 44136, 1985.

Primary Examiner—A. Hugo Word

Assistant Examiner—Brian N. Vinson

Attorney, Agent, or Firm—David A. Burge

[57] CLAIM

The ornamental design for mounting bracket for a flush-mounted latch assembly, as shown and described.

DESCRIPTION

FIG. 1 is a top perspective view of a mounting bracket for a flush-mounted latch assembly showing our new design;

FIG. 2 is a front elevational view thereof;

FIG. 3 is a rear elevational view thereof;

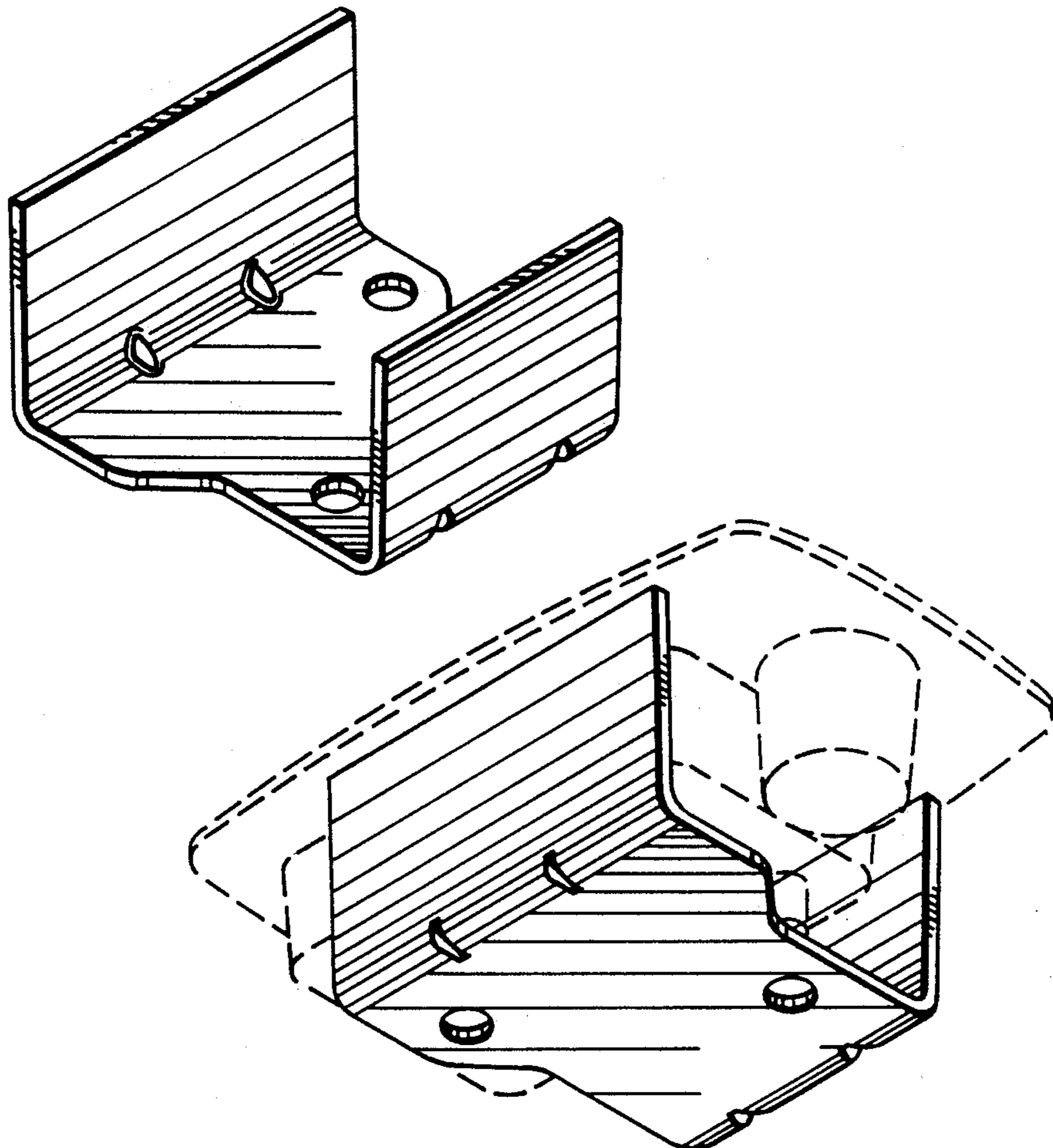
FIG. 4 is a bottom plan view thereof;

FIG. 5 is a top plan view thereof;

FIG. 6 is a right side elevational view thereof;

FIG. 7 is a left side elevational view thereof; and,

FIG. 8 is a bottom perspective view thereof, the broken-line showing of a latch assembly being for illustrative purposes only and forming no part of the claimed design.



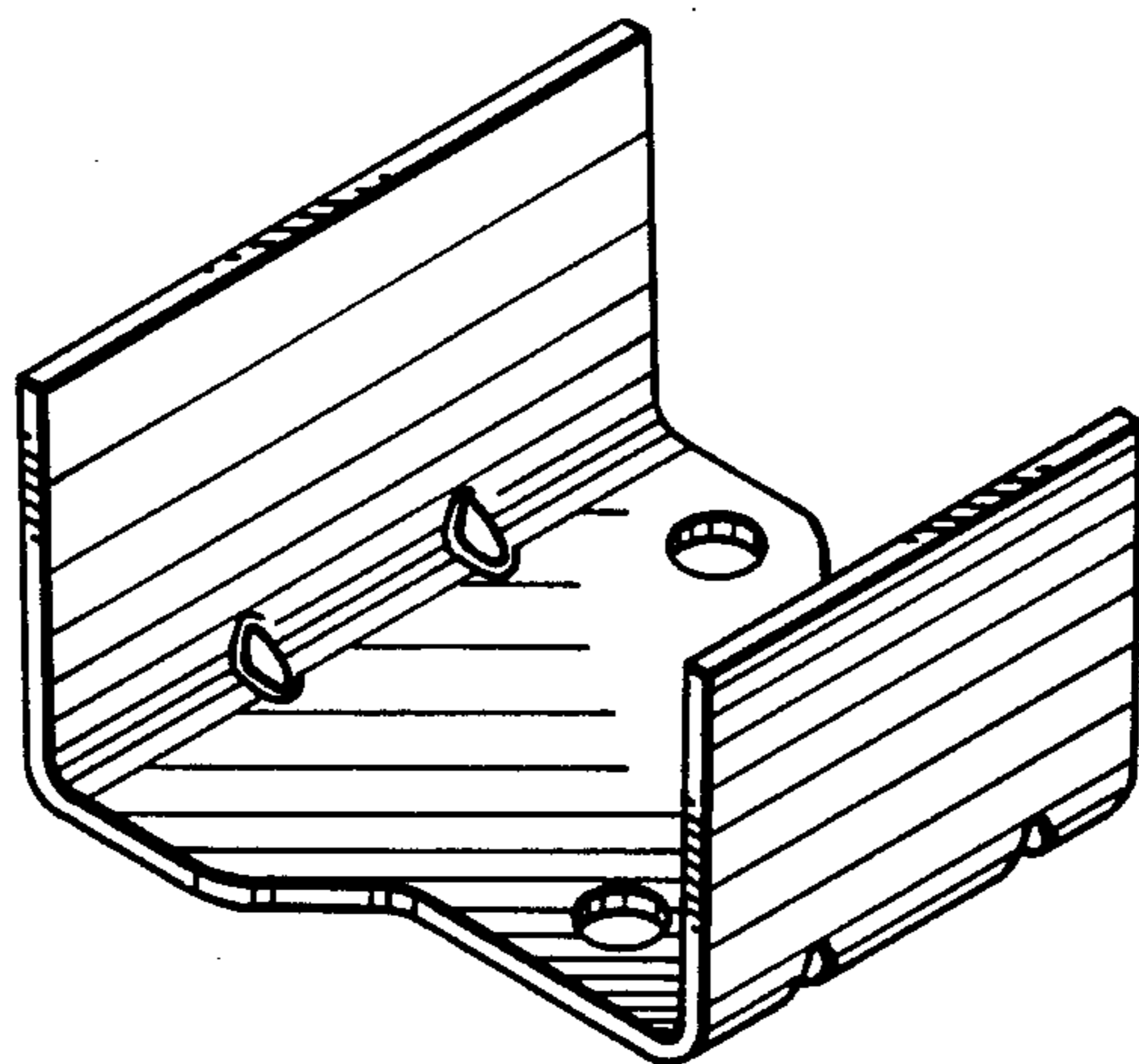


FIG. 1

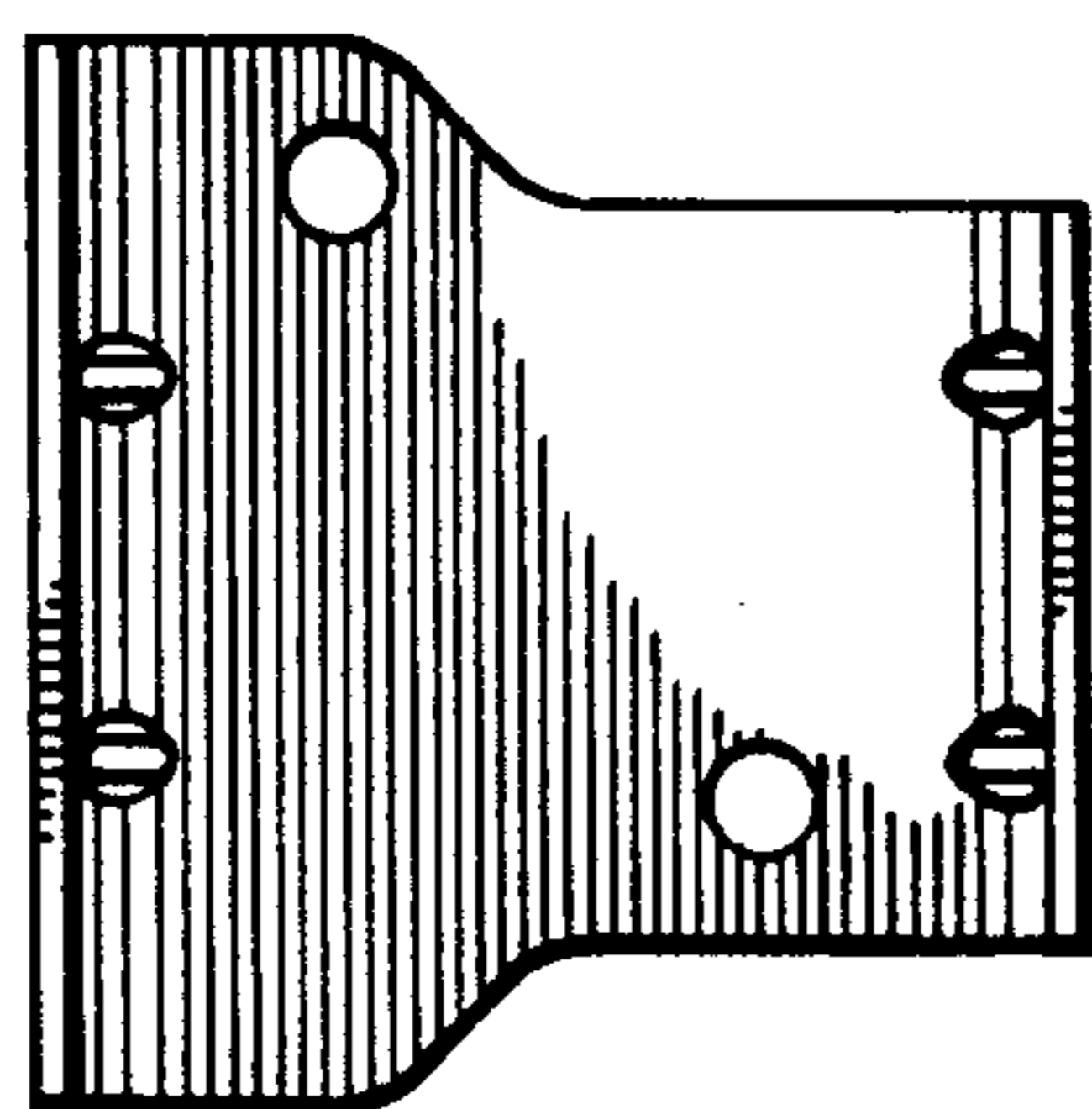


FIG. 2

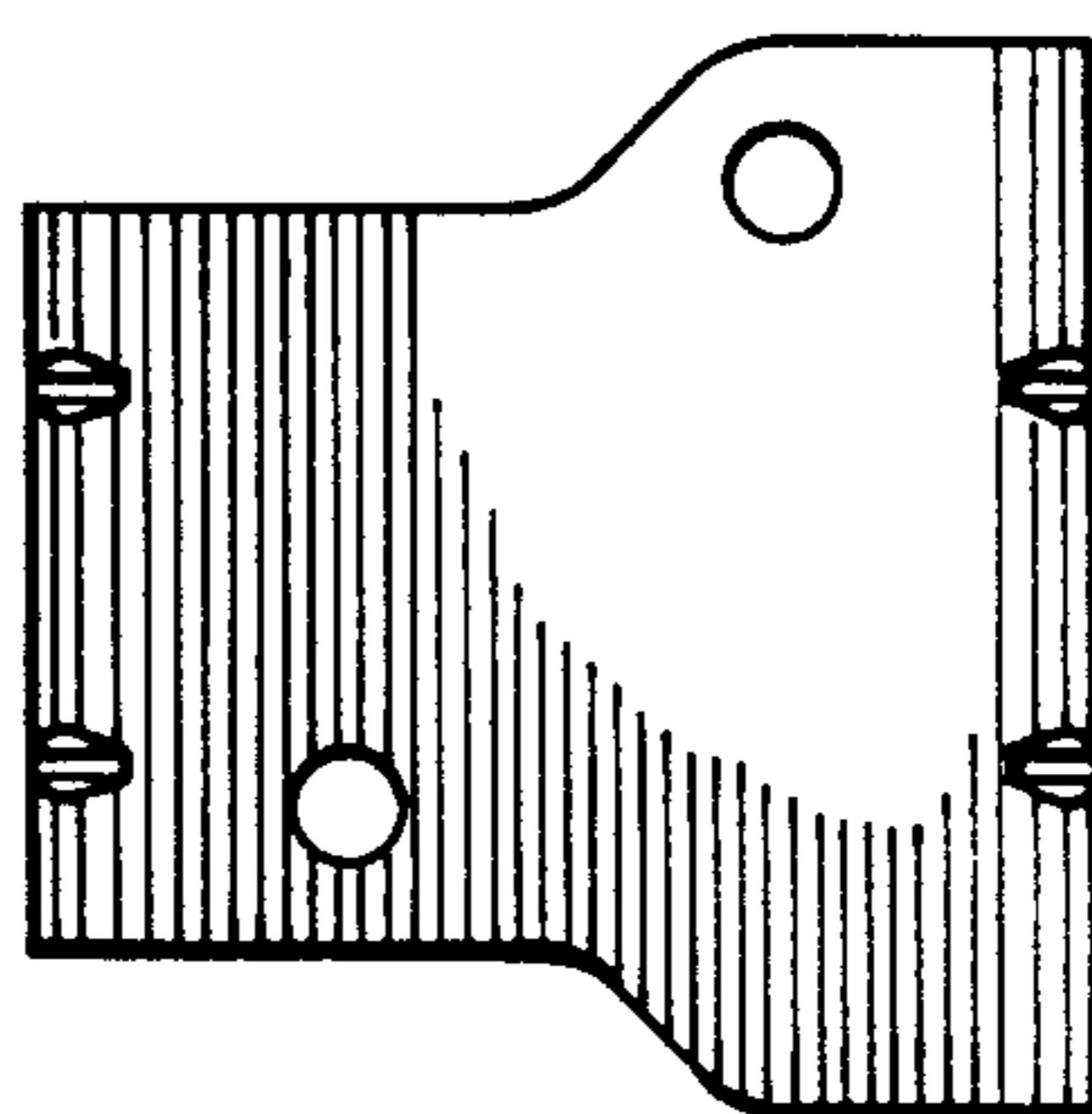


FIG. 3



FIG. 4



FIG. 5

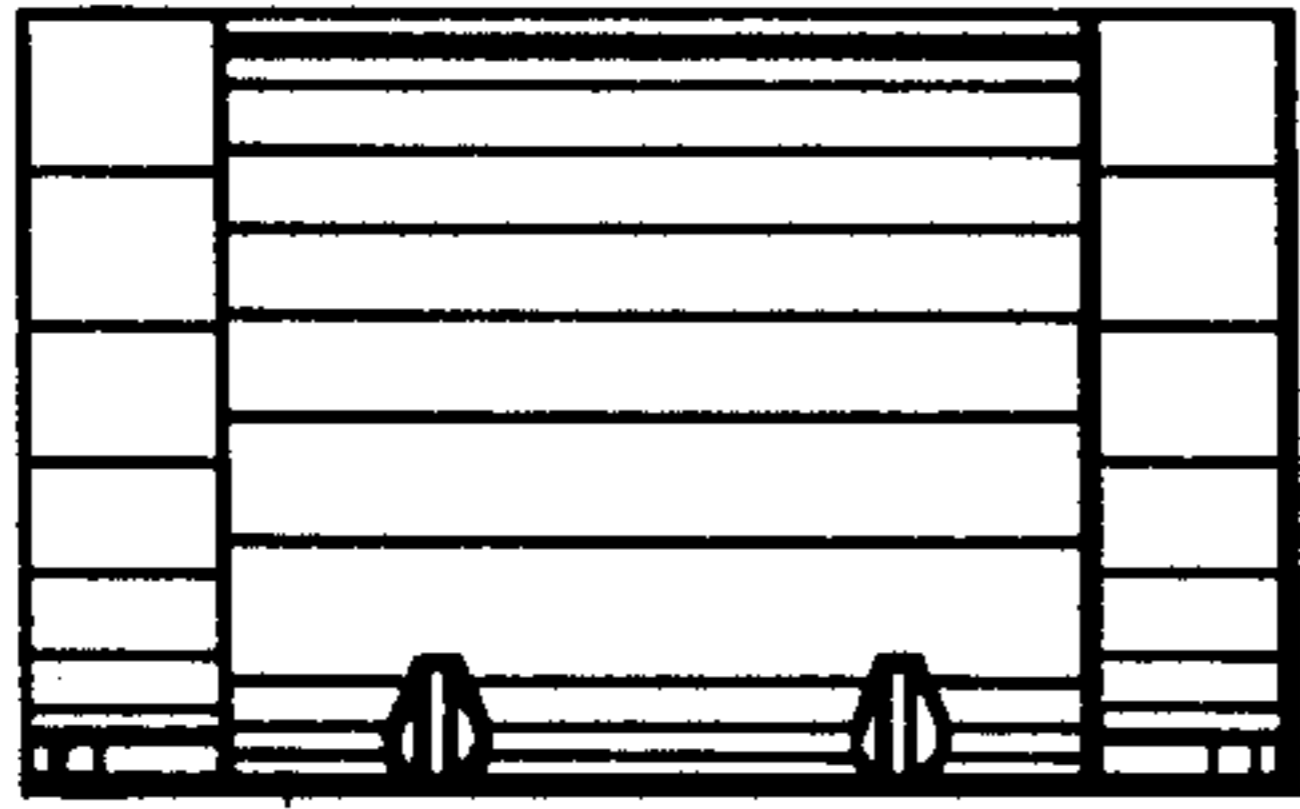


FIG. 6

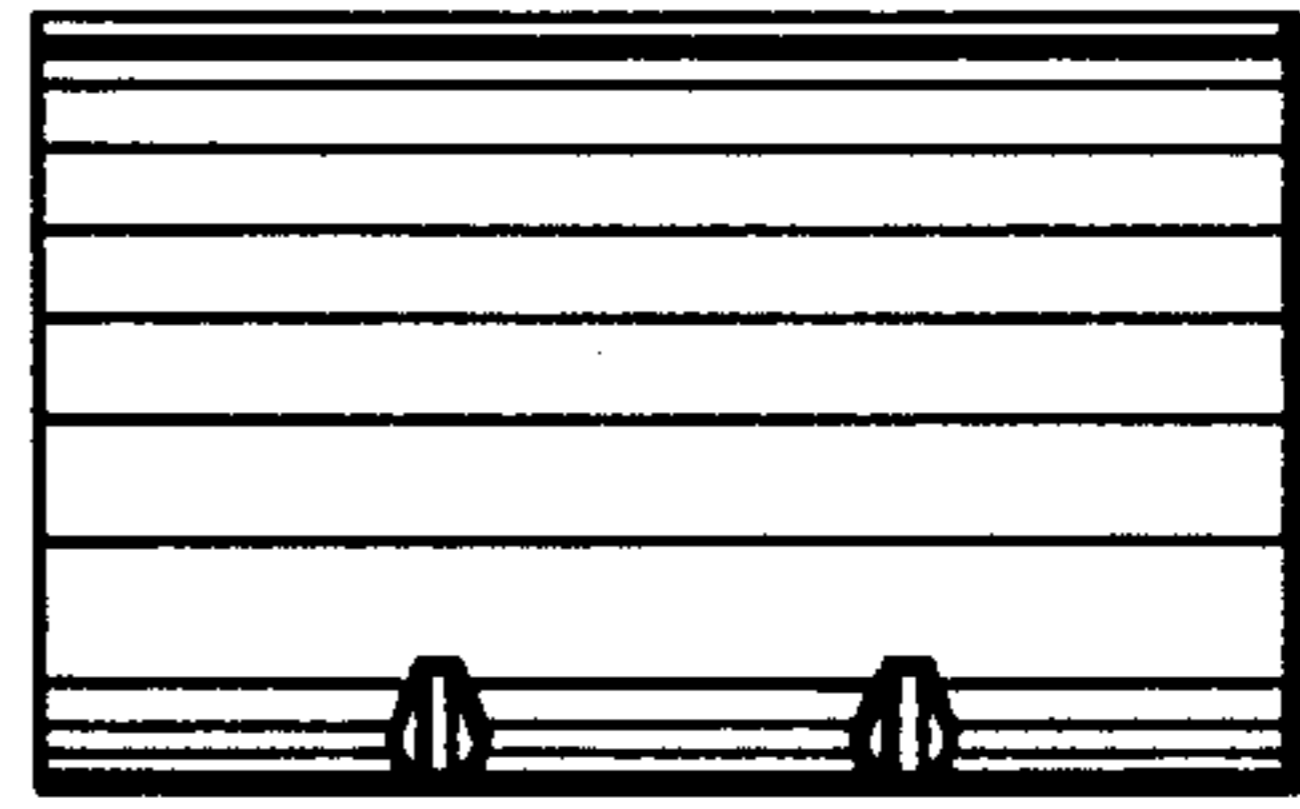


FIG. 7

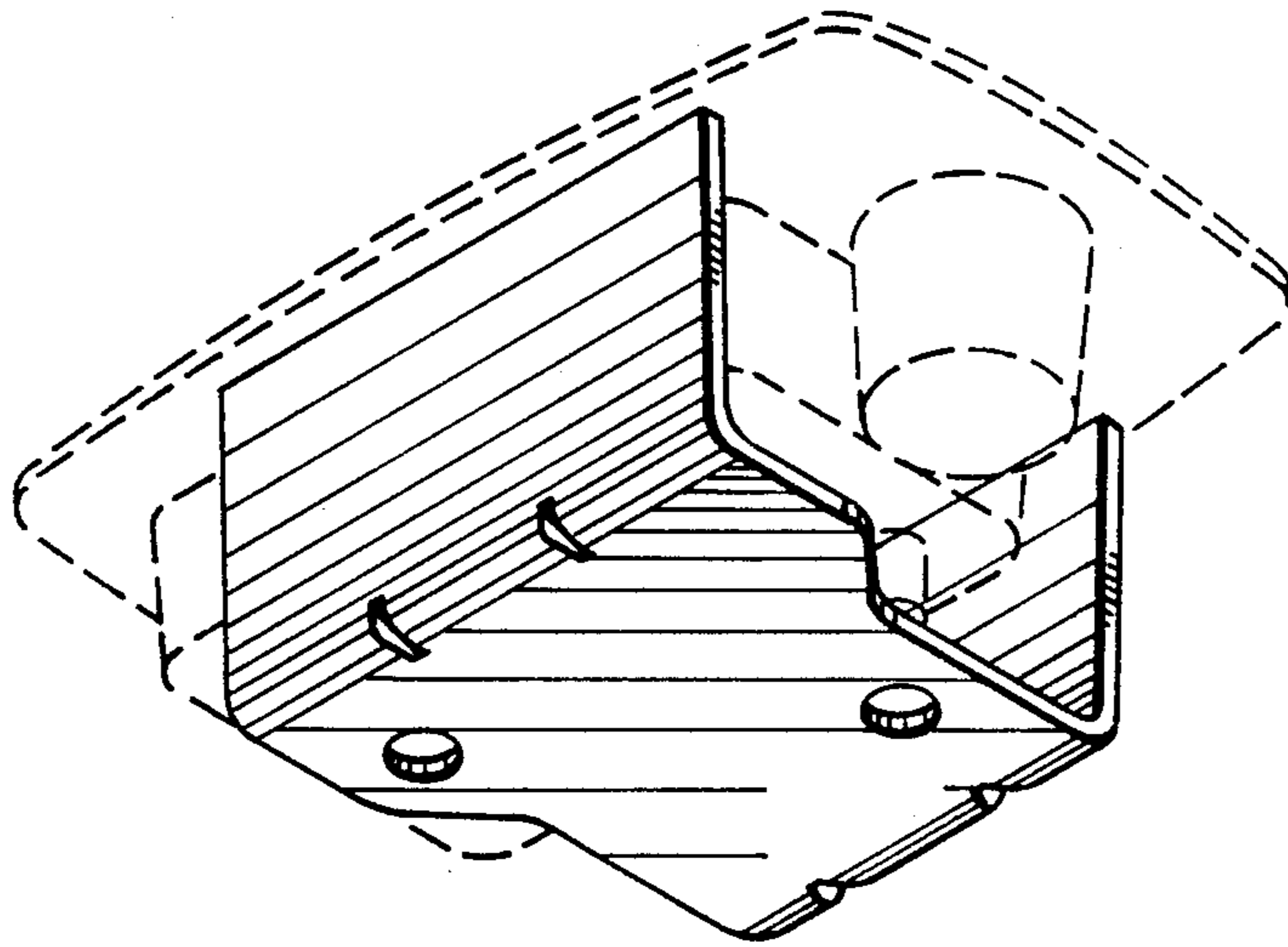


FIG. 8