

[54] **KEY OR SIMILAR ARTICLE**

[75] **Inventor: Simo Kopu, Vantaa, Finland**
[73] **Assignee: Oy Wärtsilä AB, Helsinki, Finland**
[**] **Term: 14 Years**
[21] **Appl. No.: 118,337**
[22] **Filed: Nov. 6, 1987**

[30] **Foreign Application Priority Data**

May 14, 1987 [FI] Finland 87393
[52] **U.S. Cl. D8/347**
[58] **Field of Search D8/347-348;**
70/395, 393, 401-402, 405, 408, 413, 362

[56] **References Cited**

U.S. PATENT DOCUMENTS

3,688,269 8/1972 Miller D8/347 X
4,370,875 2/1983 Piironen 70/362 X

OTHER PUBLICATIONS

Ilco Unican Corp., Catalog #60R (1984), p. 1-Adams Rite Key Blank.
Ilco Unican Corp., Catalog #60R (1984), p. 69-Bomoro Borgward, BO91 Key Blank.
Ilco Unican Corp., Catalog #60R (1984), p. 114-Repli-Key, Key Blank for K7 Arrow.

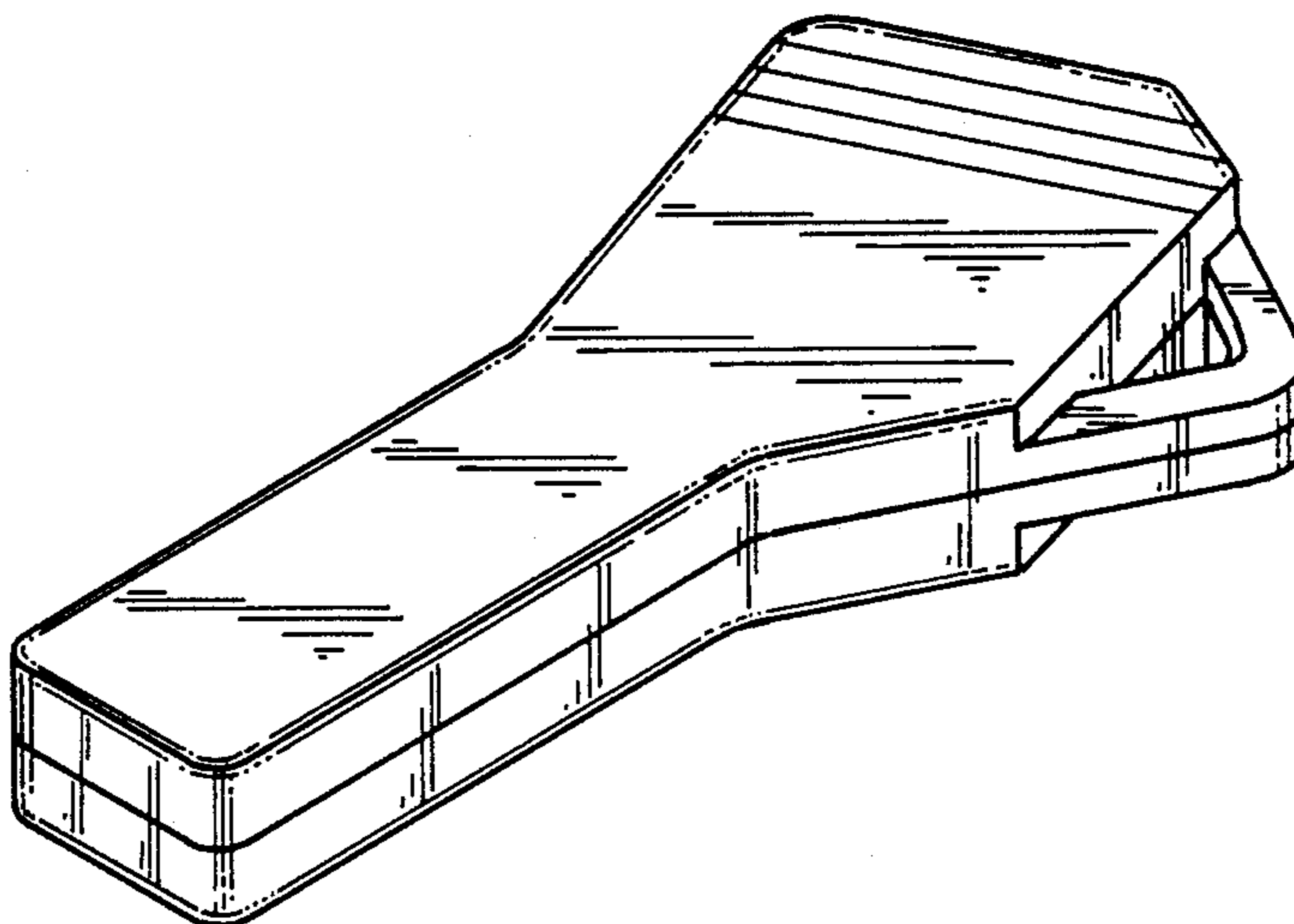
Primary Examiner—Wallace R. Burke
Assistant Examiner—Brian N. Vinson
Attorney, Agent, or Firm—Dellett, Smith-Hill and Bedell

[57] **CLAIM**

The ornamental design for a key or similar article, as shown and described.

DESCRIPTION

FIG. 1 is a front elevational of a key or similar article showing my new design,
FIG. 2 is a rear elevational thereof,
FIG. 3 is a top plan view thereof,
FIG. 4 is a reduced bottom, front and right side perspective view thereof, and
FIG. 5 is a left side elevational view thereof.



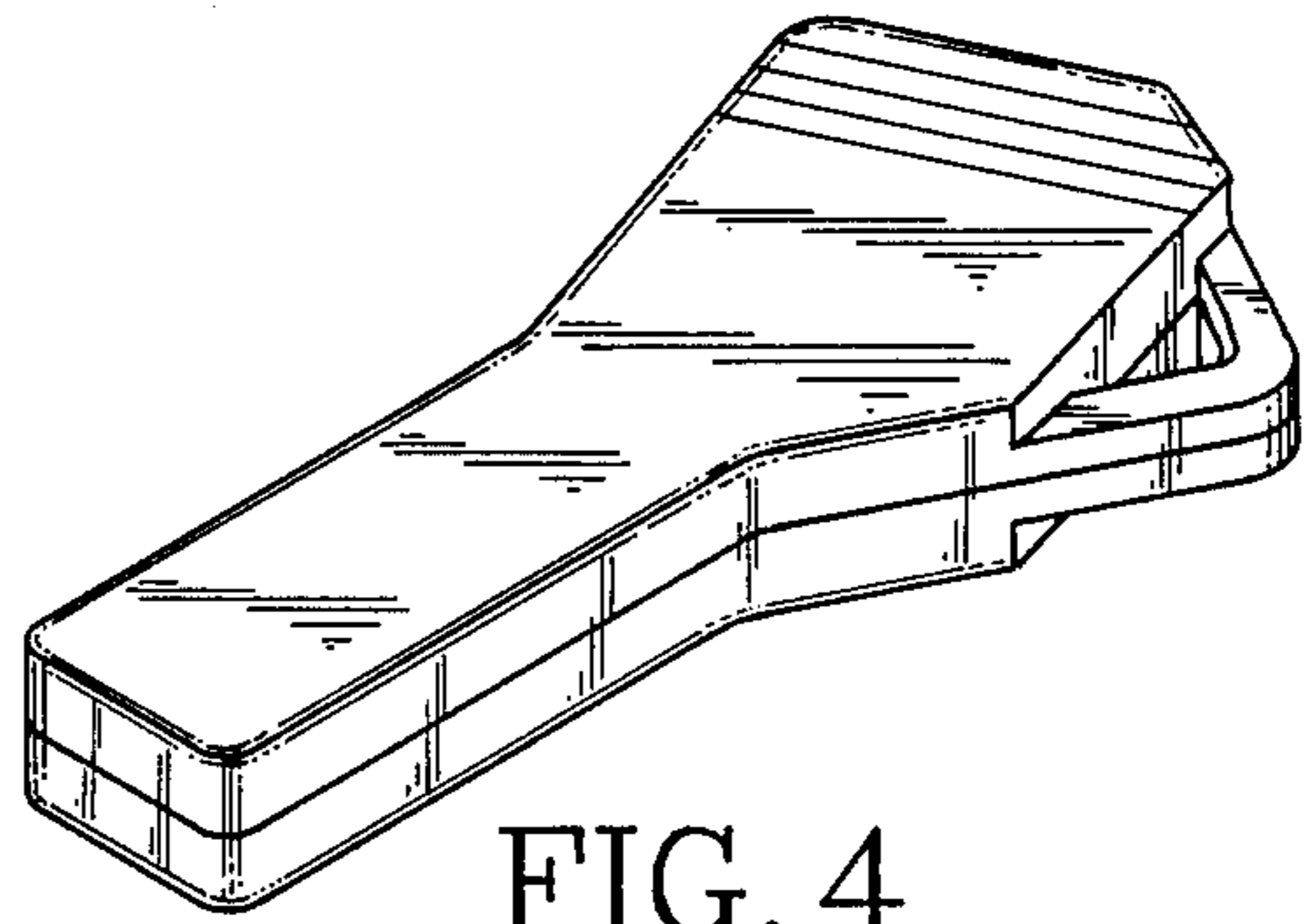


FIG. 4

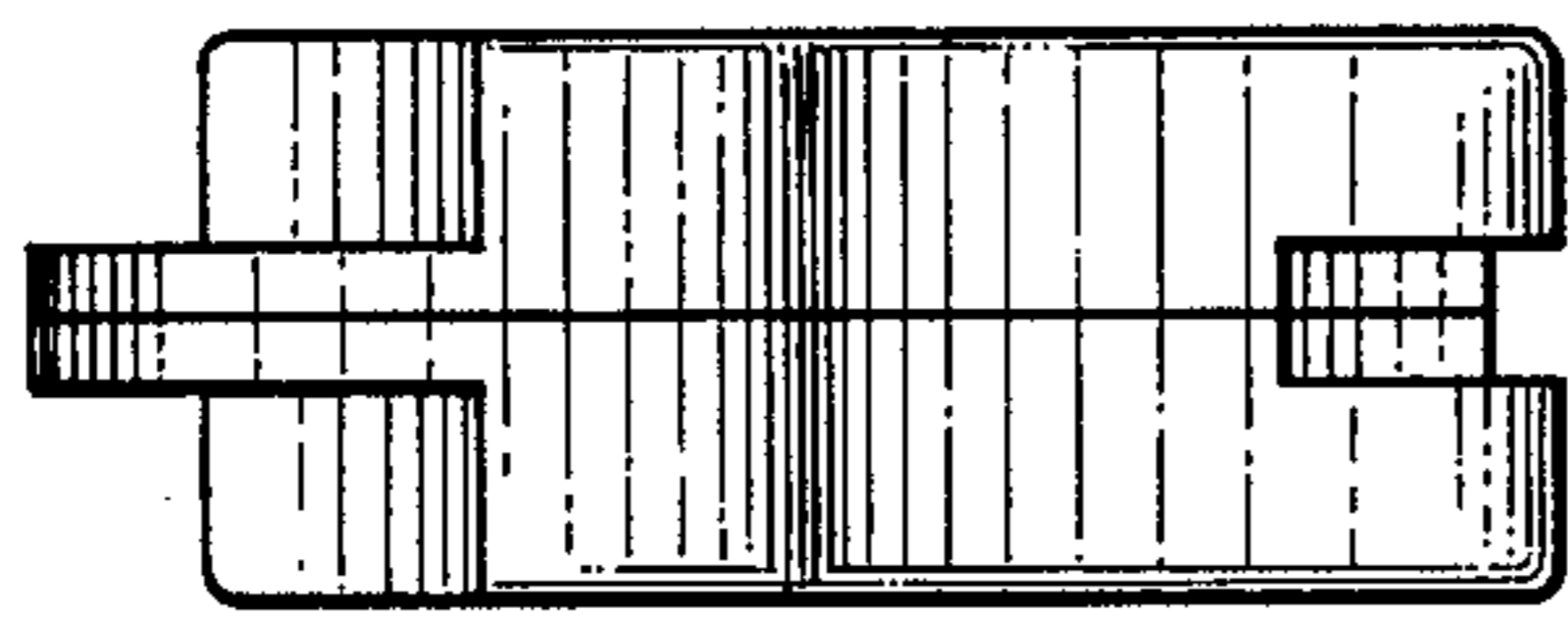


FIG. 3

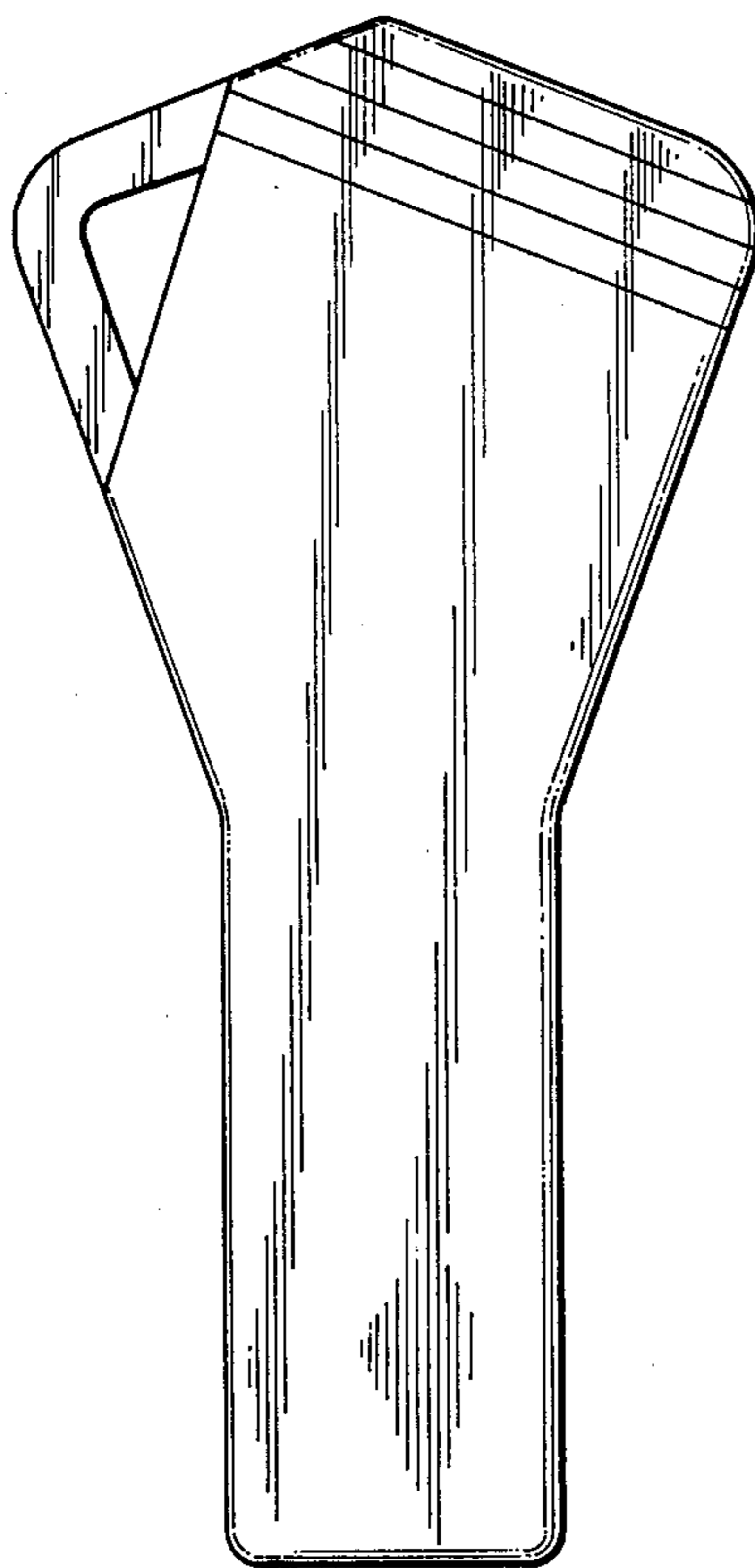


FIG. 2

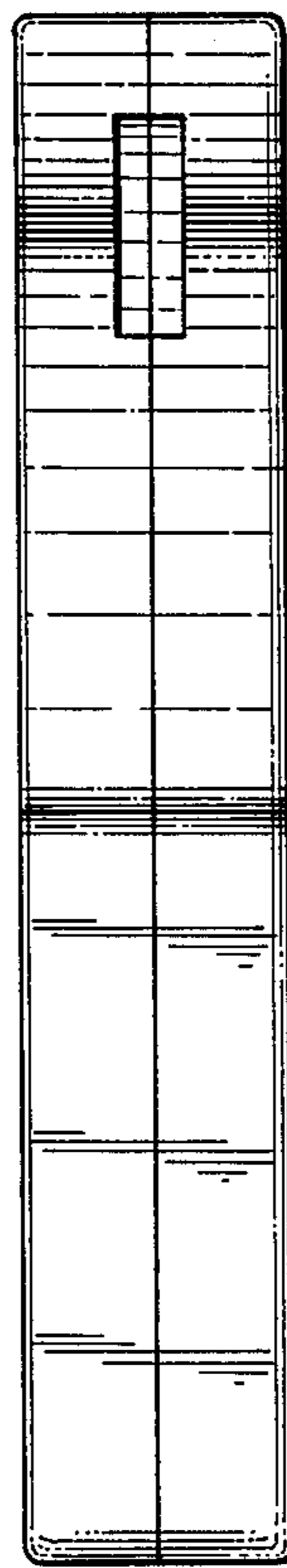


FIG. 5

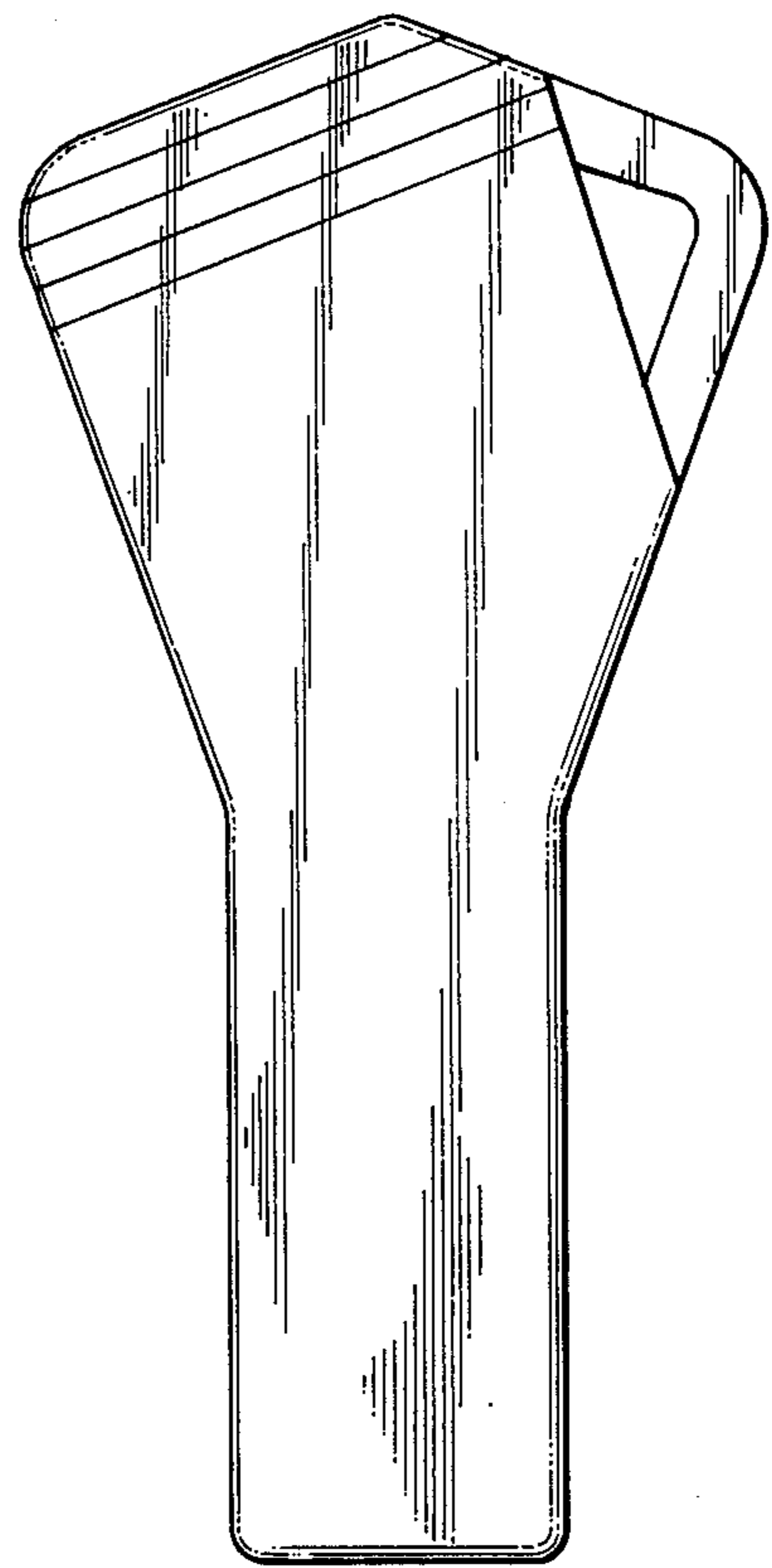


FIG. 1