

[54] COMBINED VIDEO CASSETTE LOCKBOX
AND DOOR BRACKET

[76] Inventor: Steven M. O'Day, 32455 Outrigger
Way, Laguna Niguel, Calif. 92677

[**] Term: 14 Years

[21] Appl. No.: 175,009

[22] Filed: Mar. 30, 1988

[52] U.S. Cl. D8/330; D8/346

[58] Field of Search D8/330.31, 343, 346,
D8/363; 70/14, 30, 51-52, 54-56, 63, 150, 163,
167, DIG. 43, DIG. 81; 232/15; 109/49.5

[56] References Cited

U.S. PATENT DOCUMENTS

3,934,434	1/1976	Law	70/63
4,462,317	7/1984	Franko et al.	D8/330 X
4,468,940	9/1984	Davis	70/63
4,532,783	8/1985	Maurice	70/63
4,573,332	3/1986	Ma	70/30
4,641,505	2/1987	Maurice	70/63
4,649,723	3/1987	Appelbaum	70/63

Primary Examiner—Wallace R. Burke

Assistant Examiner—Brian N. Vinson

Attorney, Agent, or Firm—F. Eugene Logan

[57] CLAIM

The ornamental design for a combined video cassette lockbox and door bracket, as shown and described.

DESCRIPTION

FIG. 1 is a top, front and left side perspective view of a combined video cassette lockbox and door bracket showing my new design;

FIG. 2 is a top plan view thereof;

FIG. 3 is a bottom plan view thereof;

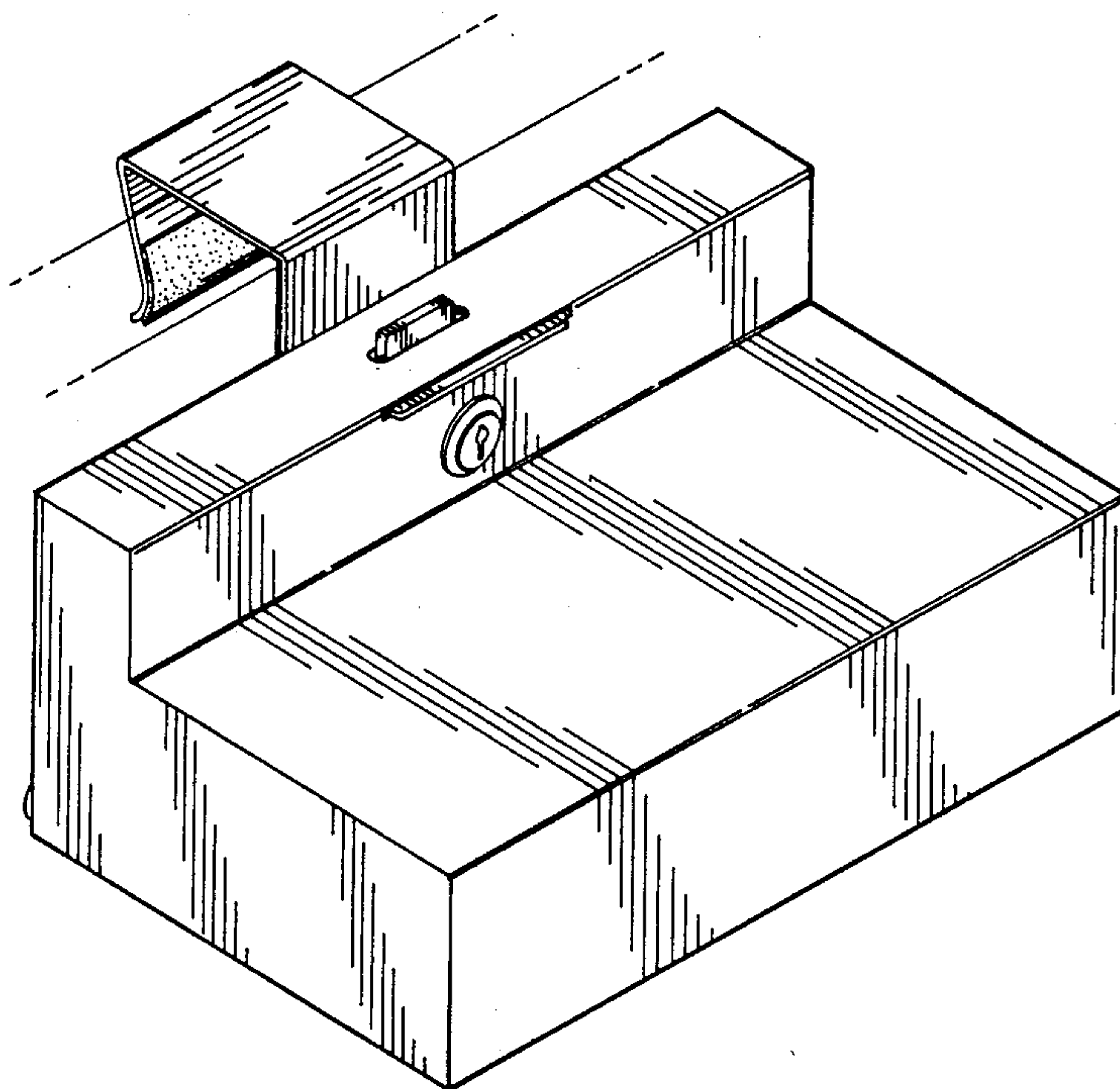
FIG. 4 is a left side elevational view thereof, the right side being a mirror image of that shown;

FIG. 5 is a front elevational view thereof;

FIG. 6 is a rear elevational view thereof;

FIG. 7 is a vertical cross-sectional view thereof, taken in the direction of line 7—7 of FIG. 2; and

FIG. 8 is a top, front and left side perspective view of the bracket portion thereof, the lockbox portion being omitted for clarity of illustration. The broken-line showing of the portion of a door in FIGS. 1-7 and the videocassettes in FIG. 7 are for illustrative purposes only and form no part of the claimed design. The stippled elements on the underside of the bracket portion are intended to represent a conventional soft, resilient material.



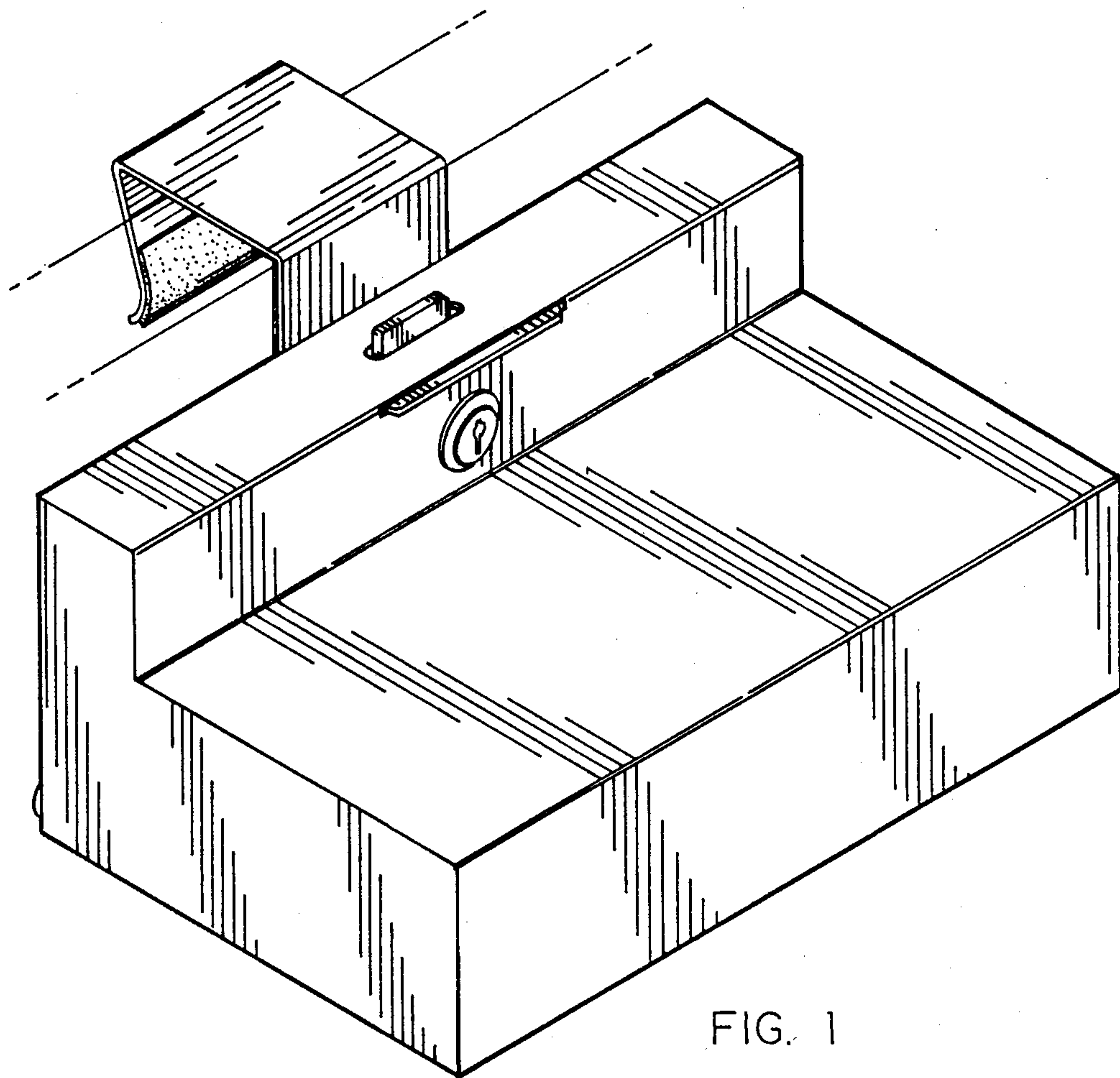


FIG. 1

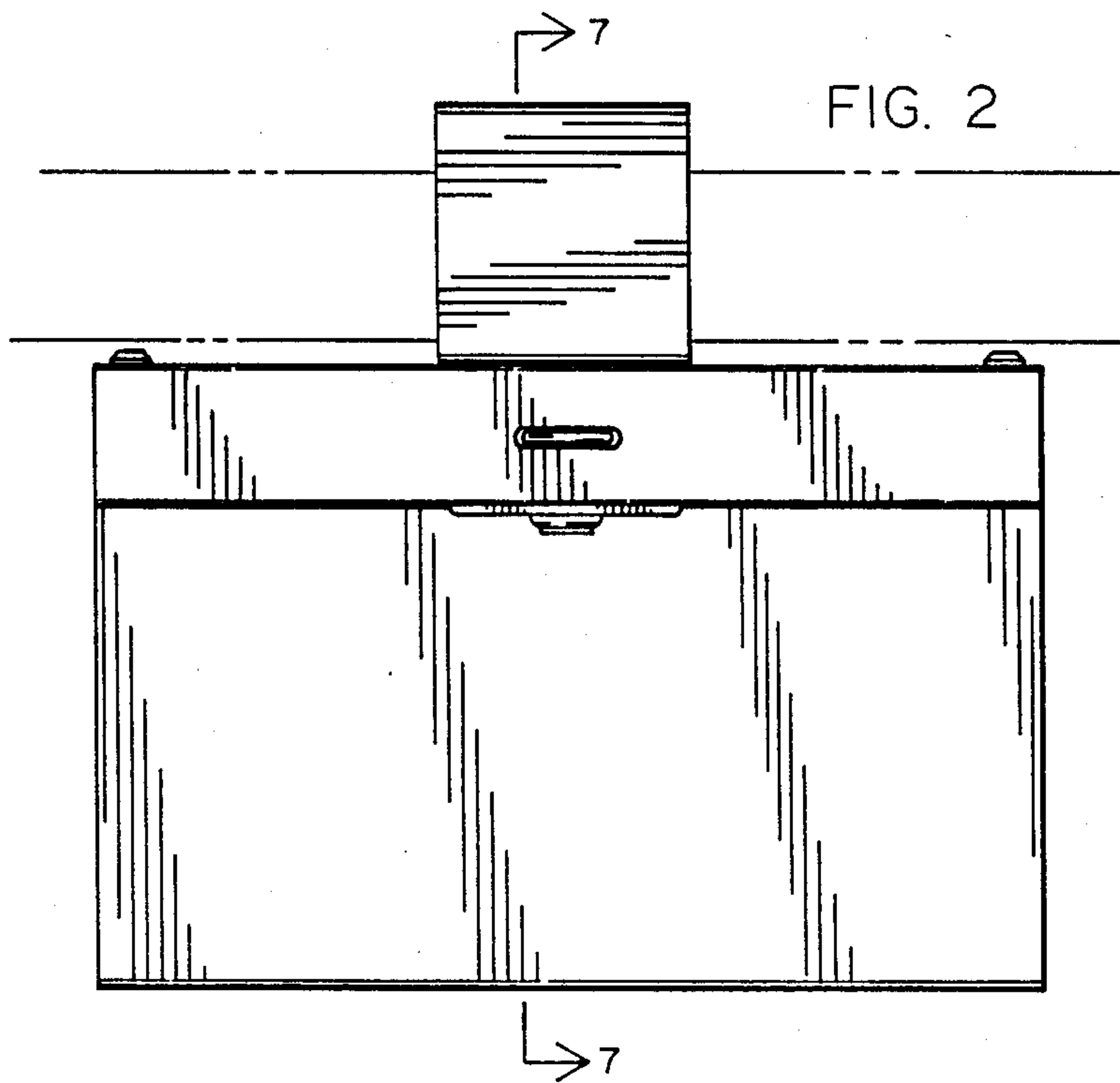


FIG. 2

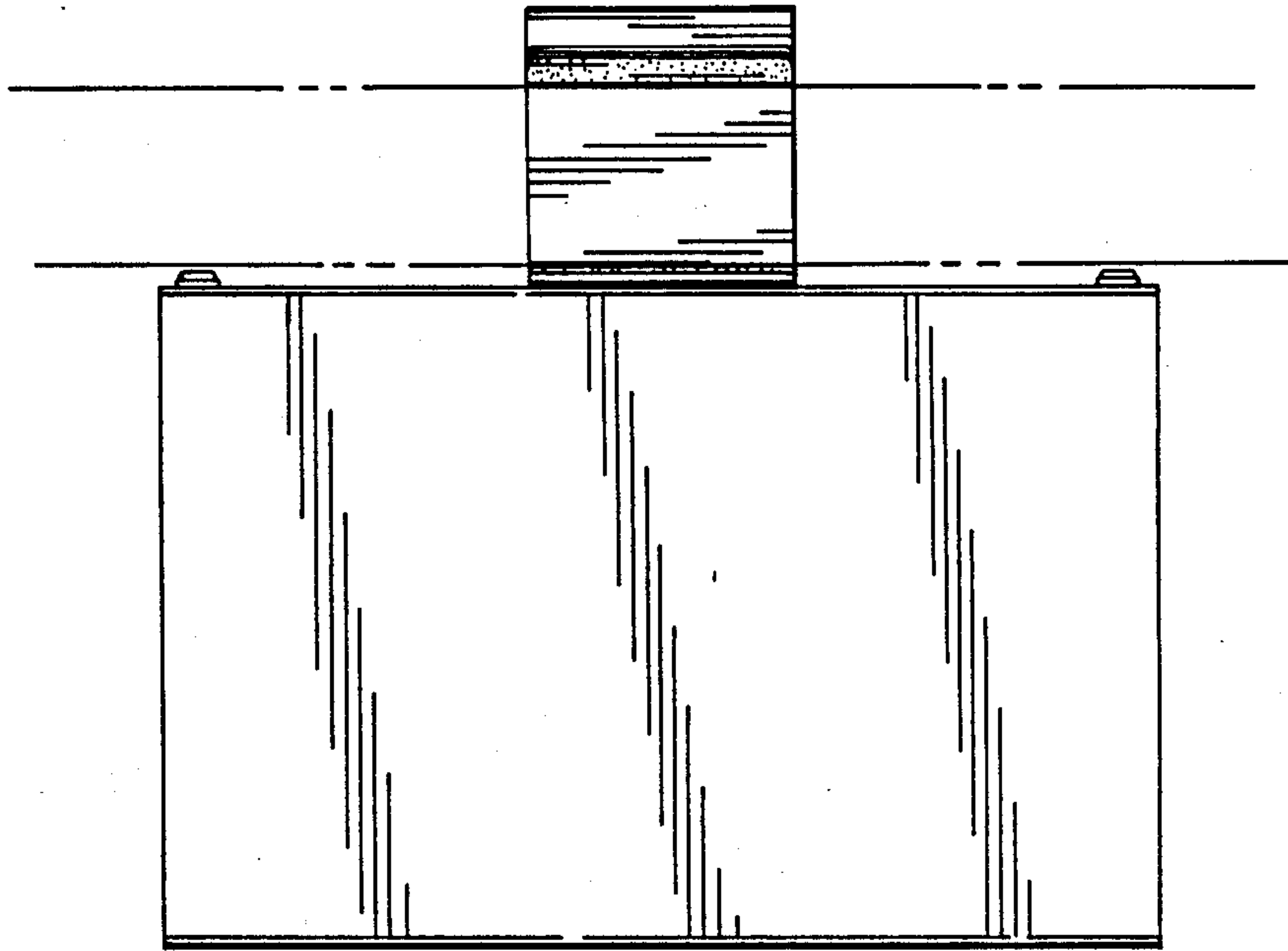


FIG. 3

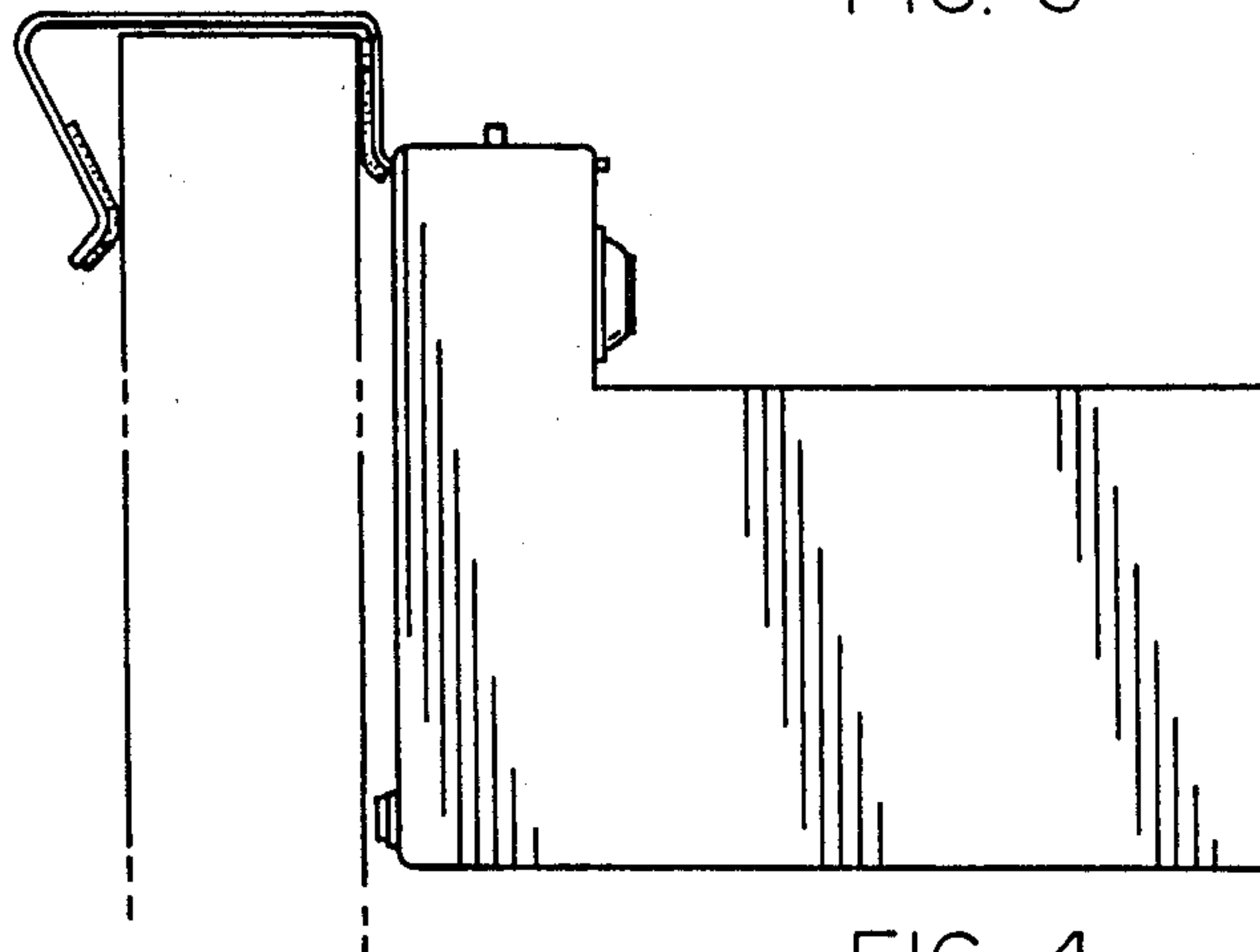


FIG. 4

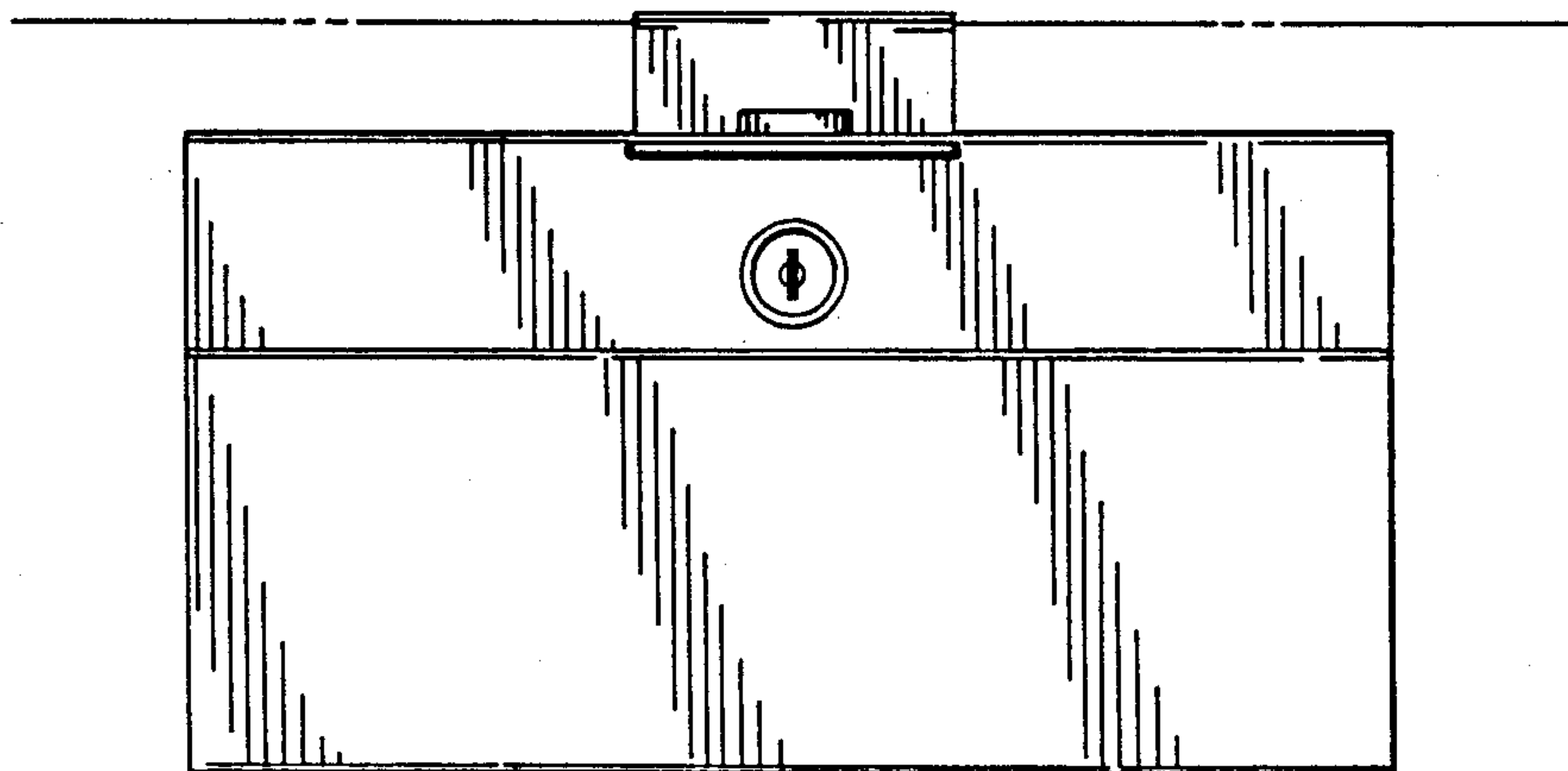


FIG. 5

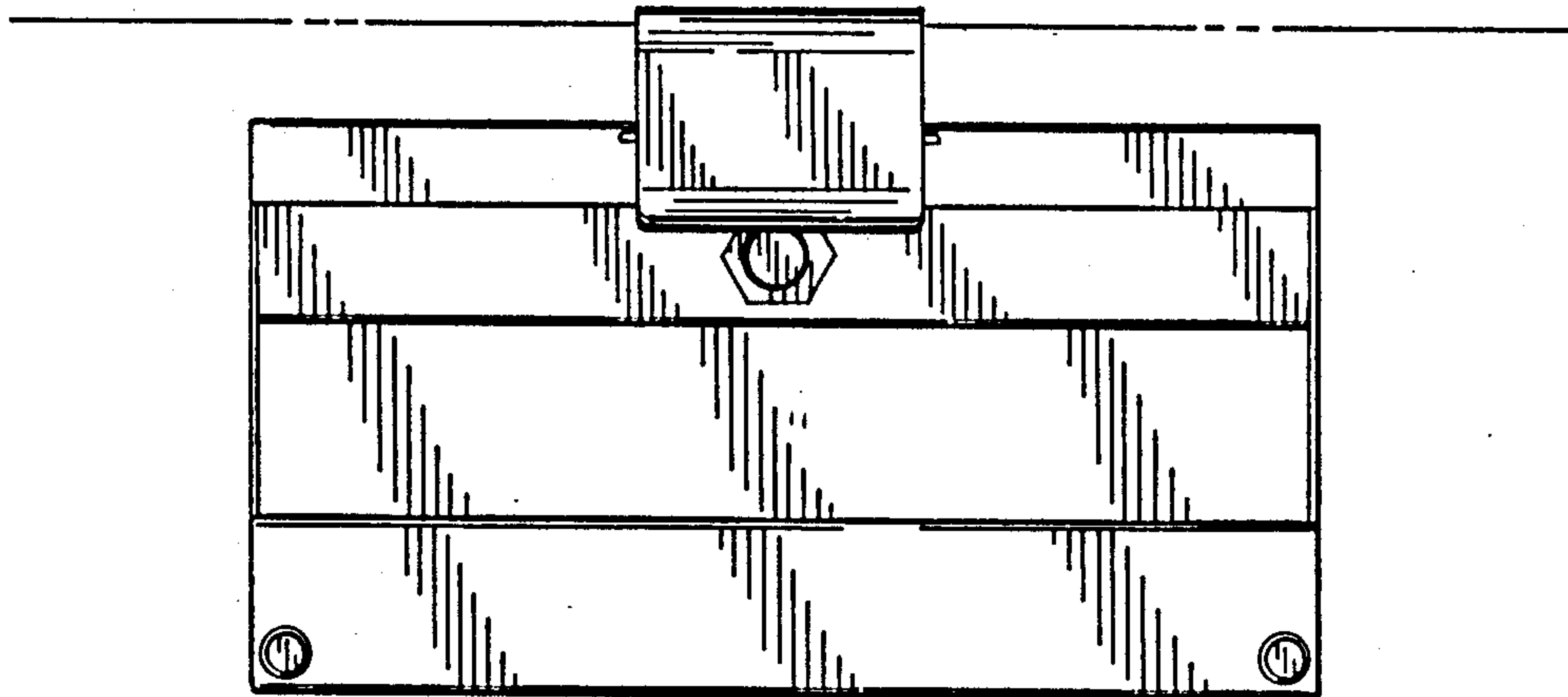


FIG. 6

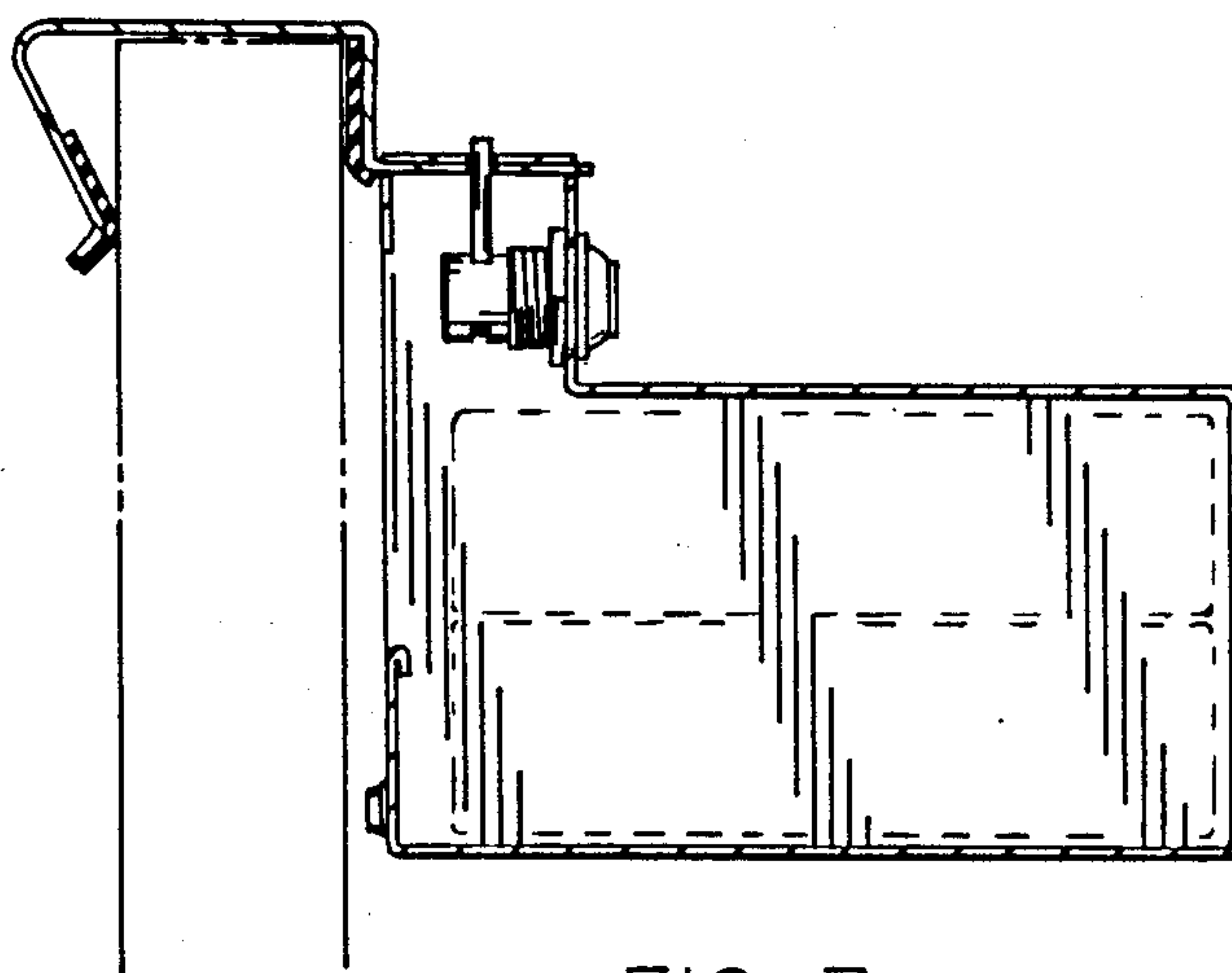


FIG. 7

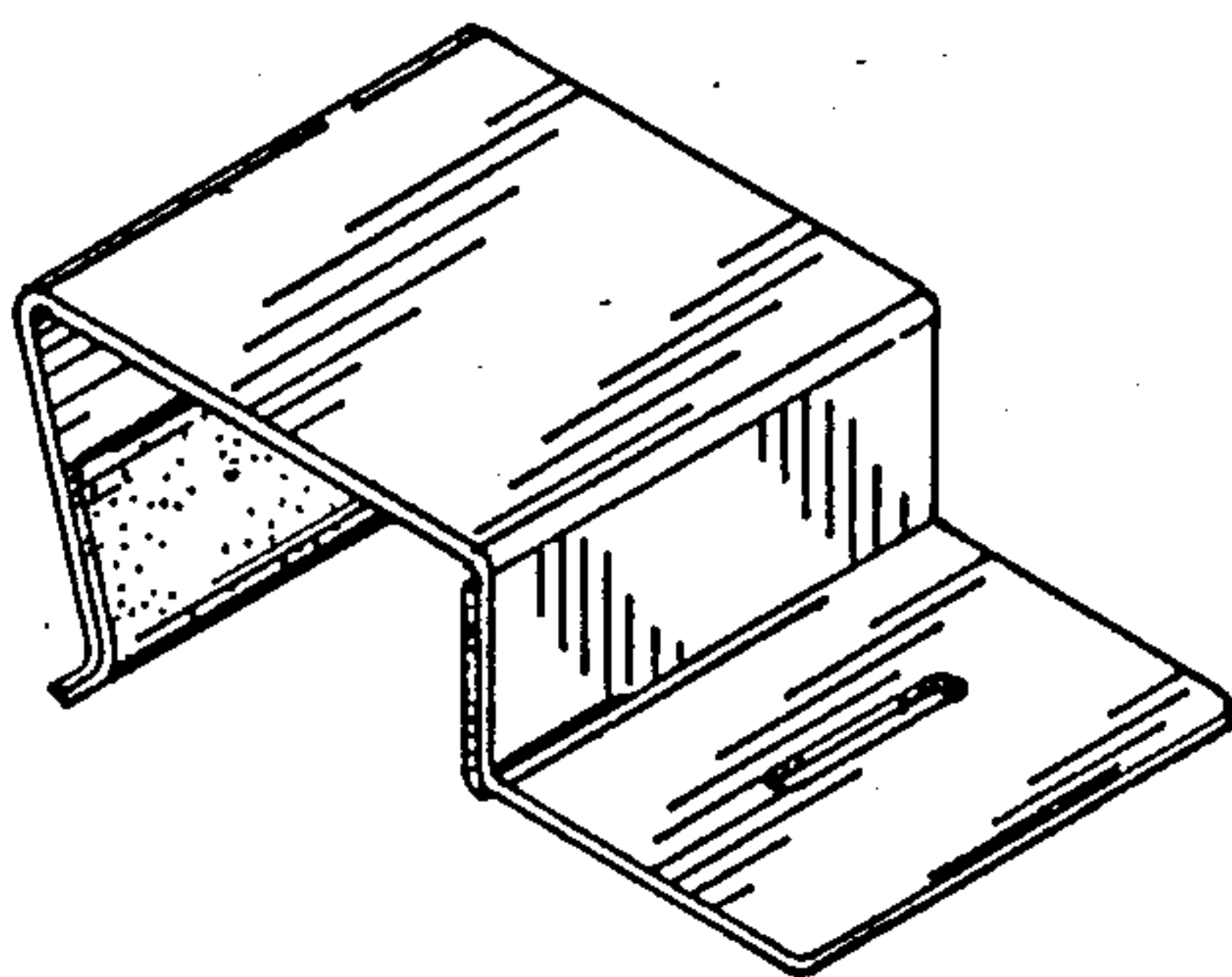


FIG. 8