

[54] PAIR OF BLADE HOLDERS FOR
MAT-CUTTER SIDE BLOCK

[75] Inventor: Dennis L. Crawford, Roberts, Wis.
[73] Assignee: Esselte Pendaflex, Garden City, N.Y.
[**] Term: 14 Years
[21] Appl. No.: 783,409
[22] Filed: Oct. 3, 1985
[52] U.S. Cl. D8/98; D8/71
[58] Field of Search D8/14, 71, 98; 83/455,
83/564, 581, 614; 269/303

[56] References Cited

U.S. PATENT DOCUMENTS

D. 261,855	11/1981	Neal et al.	D8/98
1,776,347	9/1930	Cheshire	269/303
3,213,736	10/1985	Keeton	83/455
3,463,041	8/1969	Shapiro et al.	83/564
3,527,131	9/1970	Ellerin et al.	83/522
3,779,119	12/1973	Broides	83/581
3,897,706	8/1975	Martin	83/614
3,918,337	11/1975	Lindblad et al.	83/564
3,996,827	12/1976	Logan	83/455
4,036,486	7/1977	Molpus	269/303
4,158,977	6/1979	Logan	83/581

OTHER PUBLICATIONS

C&H Mat Cutter Operating Manual and Parts List
(3M).

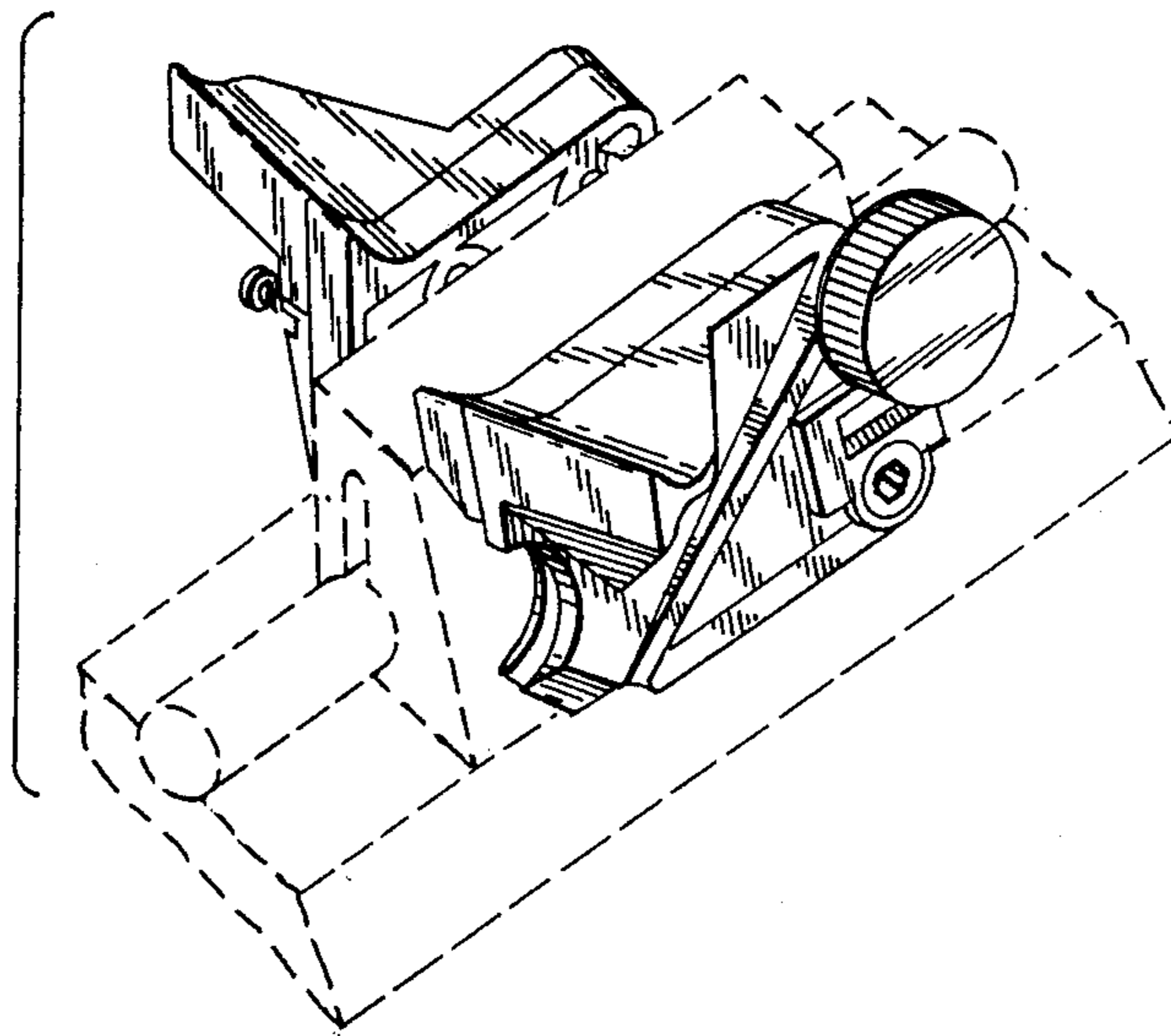
Primary Examiner—Bruce W. Dunkins
Assistant Examiner—Clare E. Heflin
Attorney, Agent, or Firm—Darby & Darby

[57] CLAIM

The ornamental design for pair of blade holders for a mat-cutter side block, as shown and described.

DESCRIPTION

FIG. 1 is a perspective view of the pair of blade holders for a mat-cutter side block showing my new design; FIG. 2 is a top plan view of the pair of blade holders for a mat-cutter side block showing the foremost blade holder of my new design, the other being omitted for illustrative purposes only; FIG. 3 is a front elevational view thereof; FIG. 4 is a right end elevational view thereof; FIG. 5 is a rear elevational view thereof; FIG. 6 is a left end elevational view thereof; FIG. 7 is a bottom plan view thereof; FIG. 8 is a top plan view of the pair of blade holders for a mat-cutter side block showing the rearmost blade holder of my design, the other being omitted for illustrative puproses only; FIG. 9 is a front elevational view thereof; FIG. 10 is a right end elevational view thereof; FIG. 11 is a left end elevational view thereof; FIG. 12 is a rear elevational view thereof; and FIG. 13 is a bottom plan view thereof. The broken line showing the side block is for illustrative purposes only and forms no part of the claimed design.



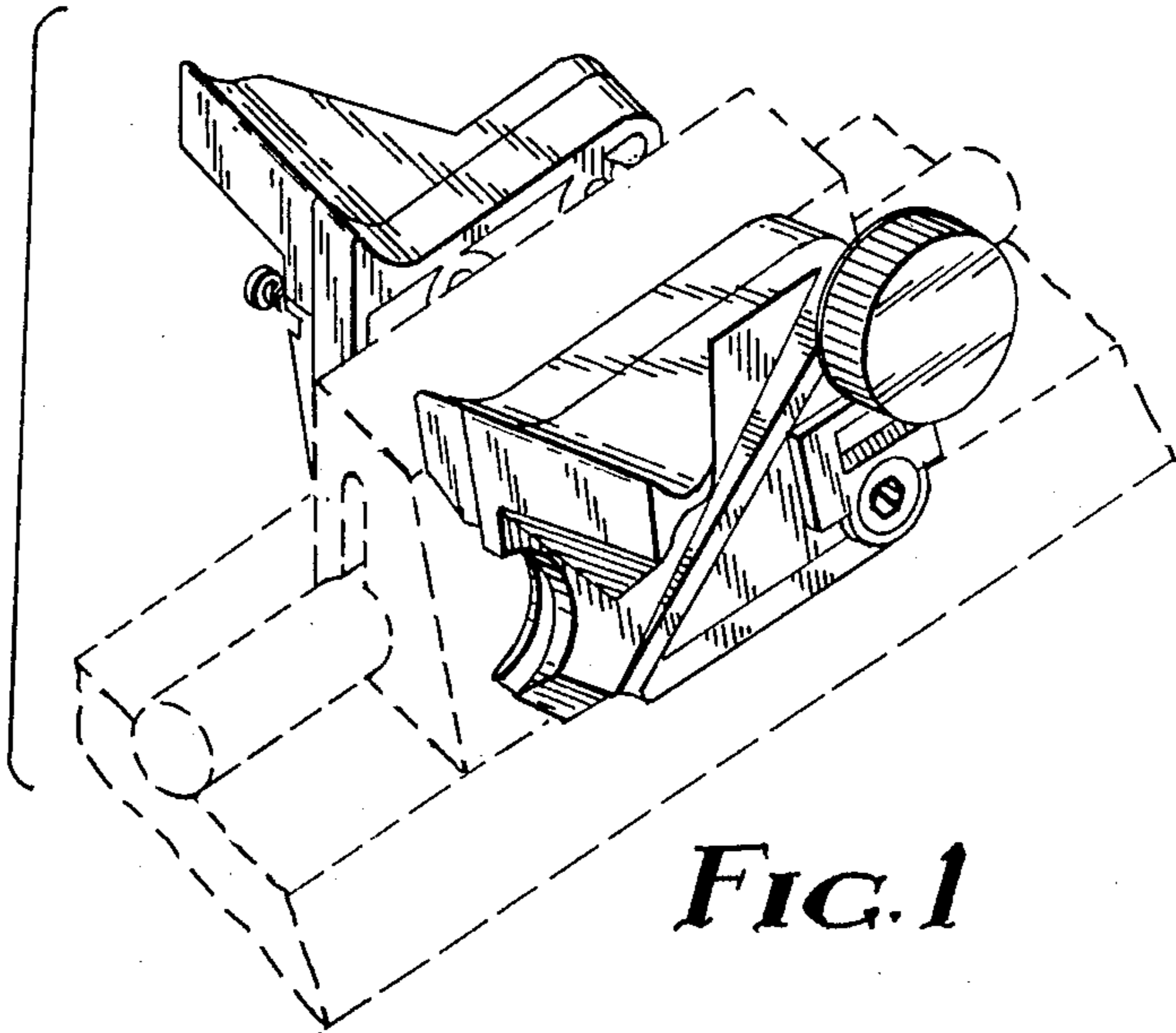


FIG. 1

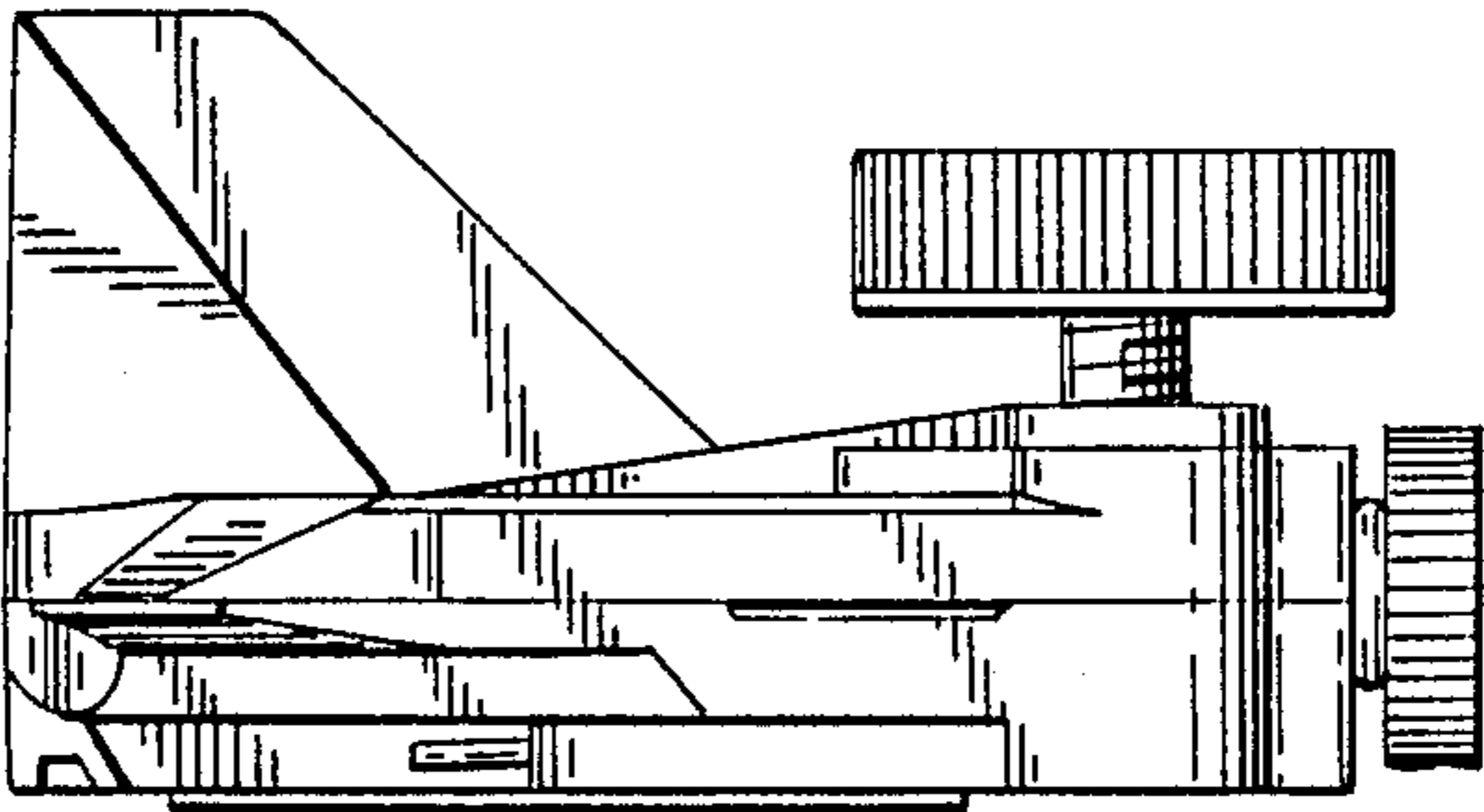


FIG. 7

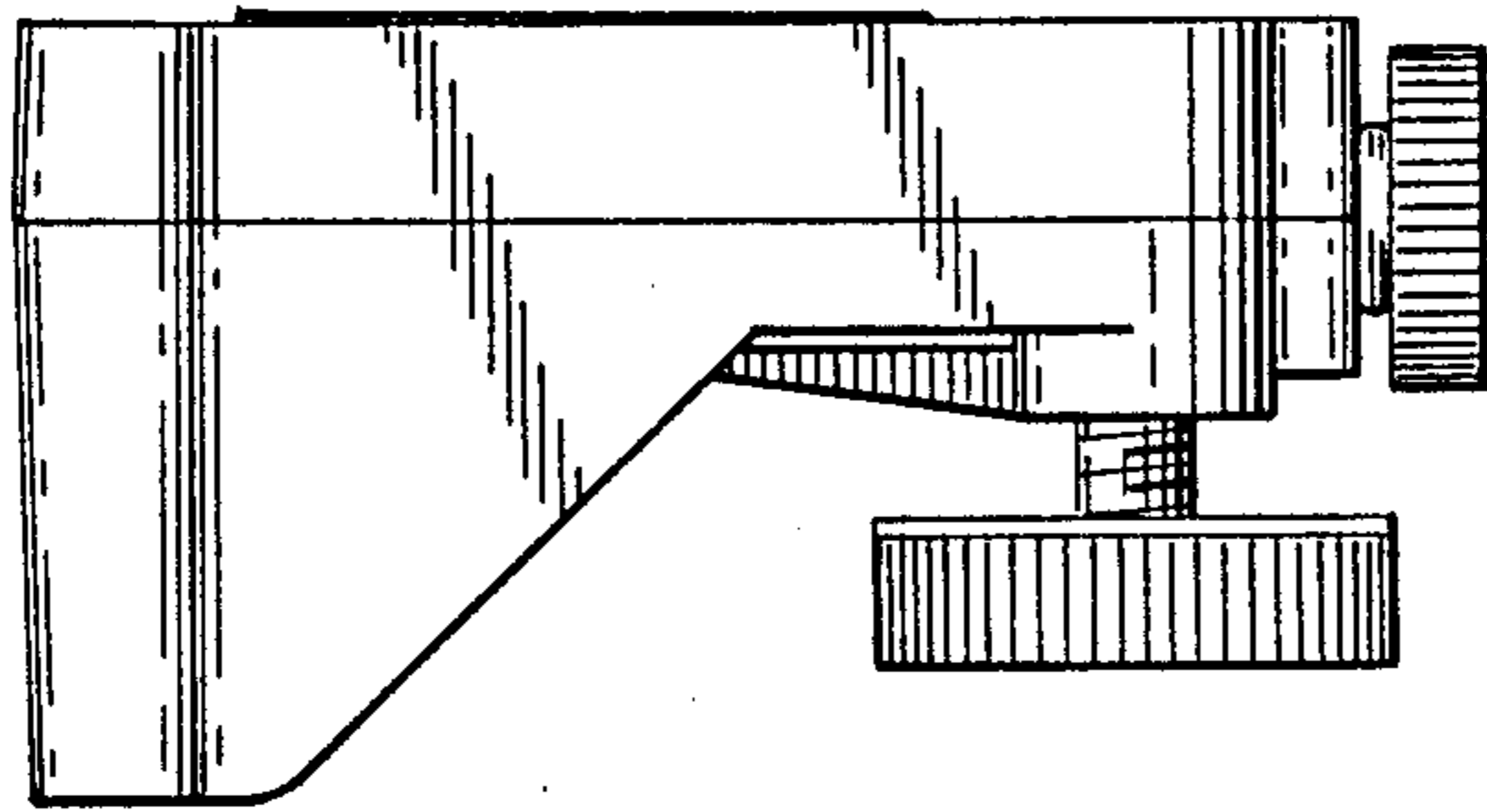


FIG. 2

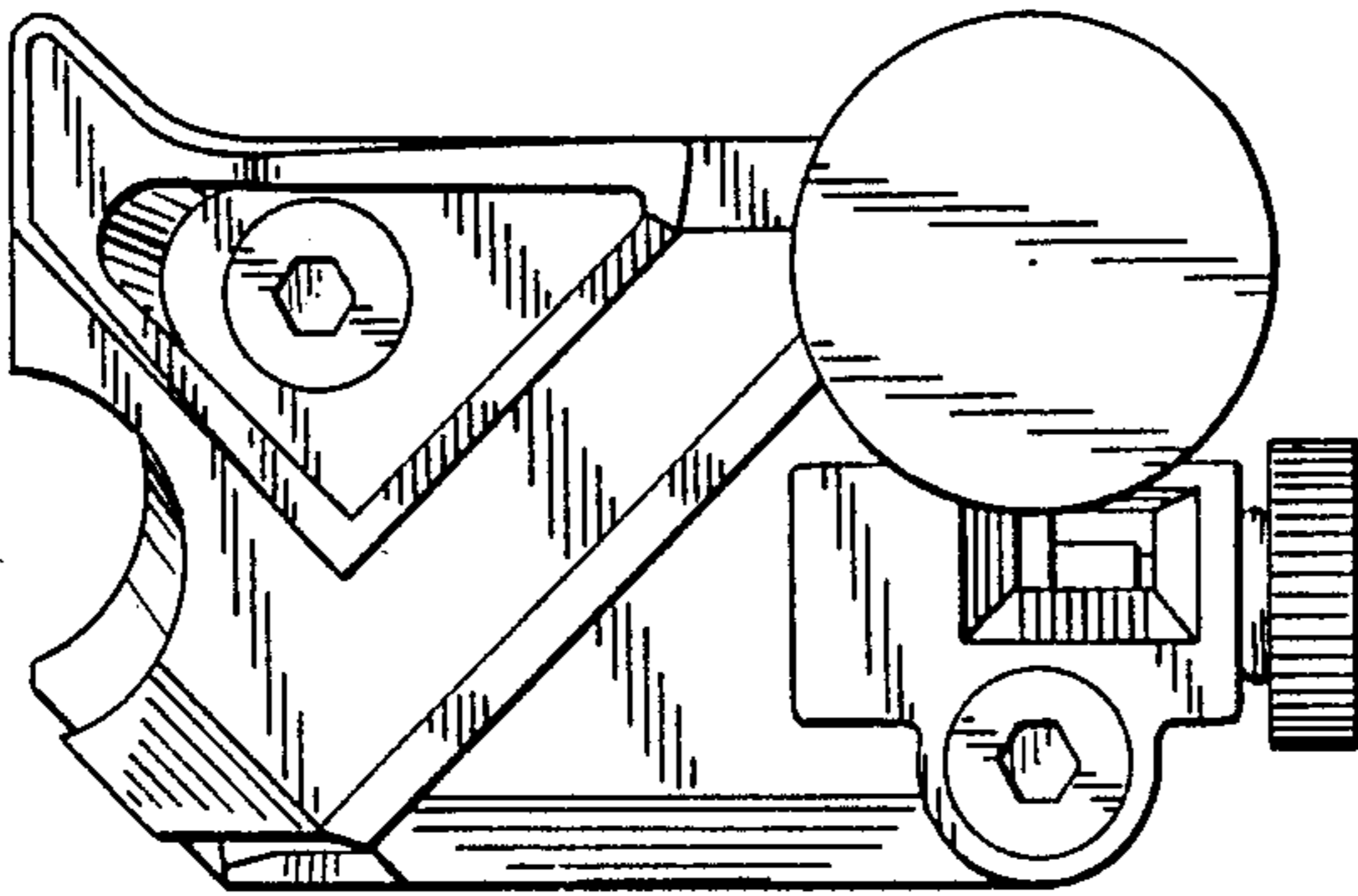


FIG. 3

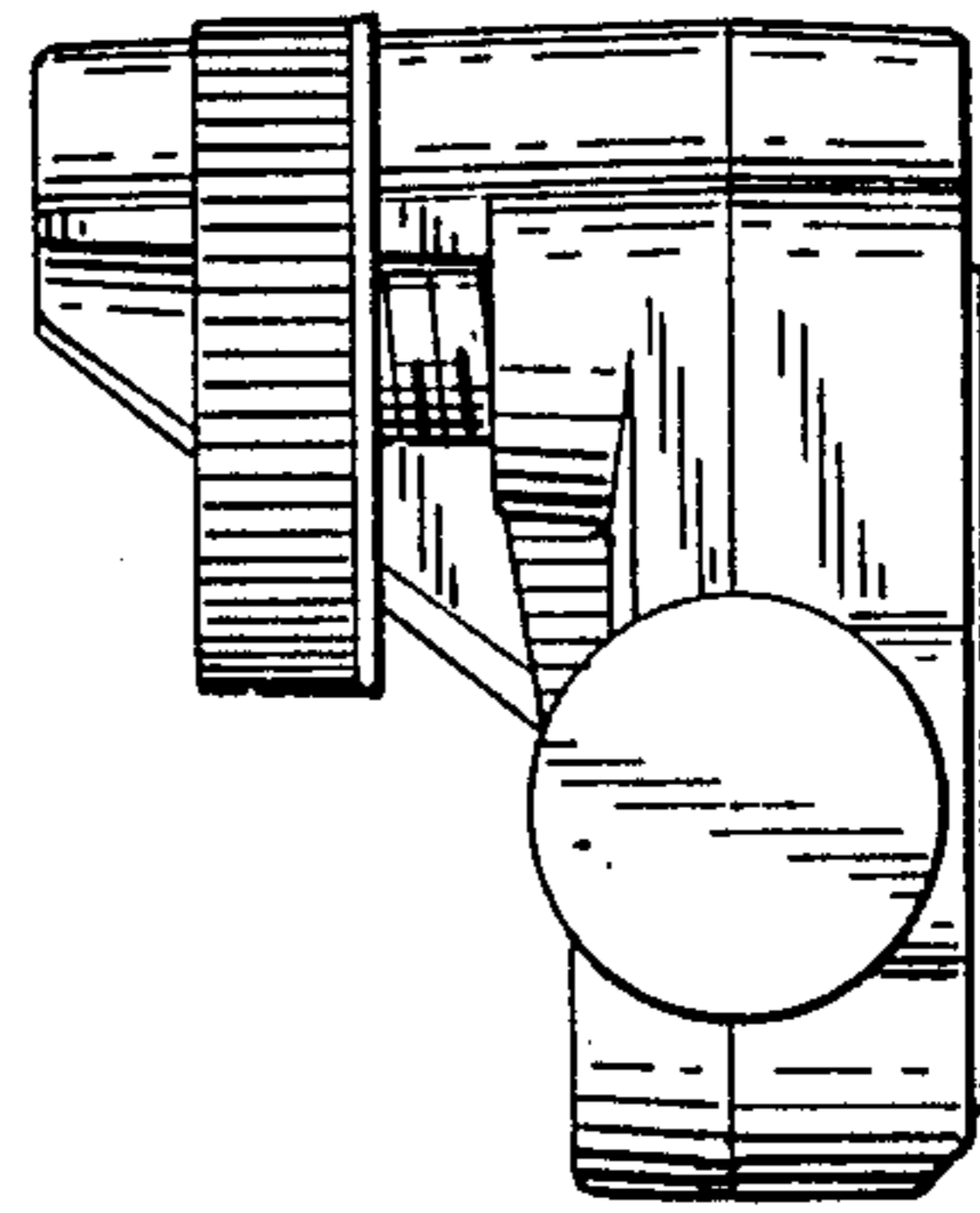


FIG. 4

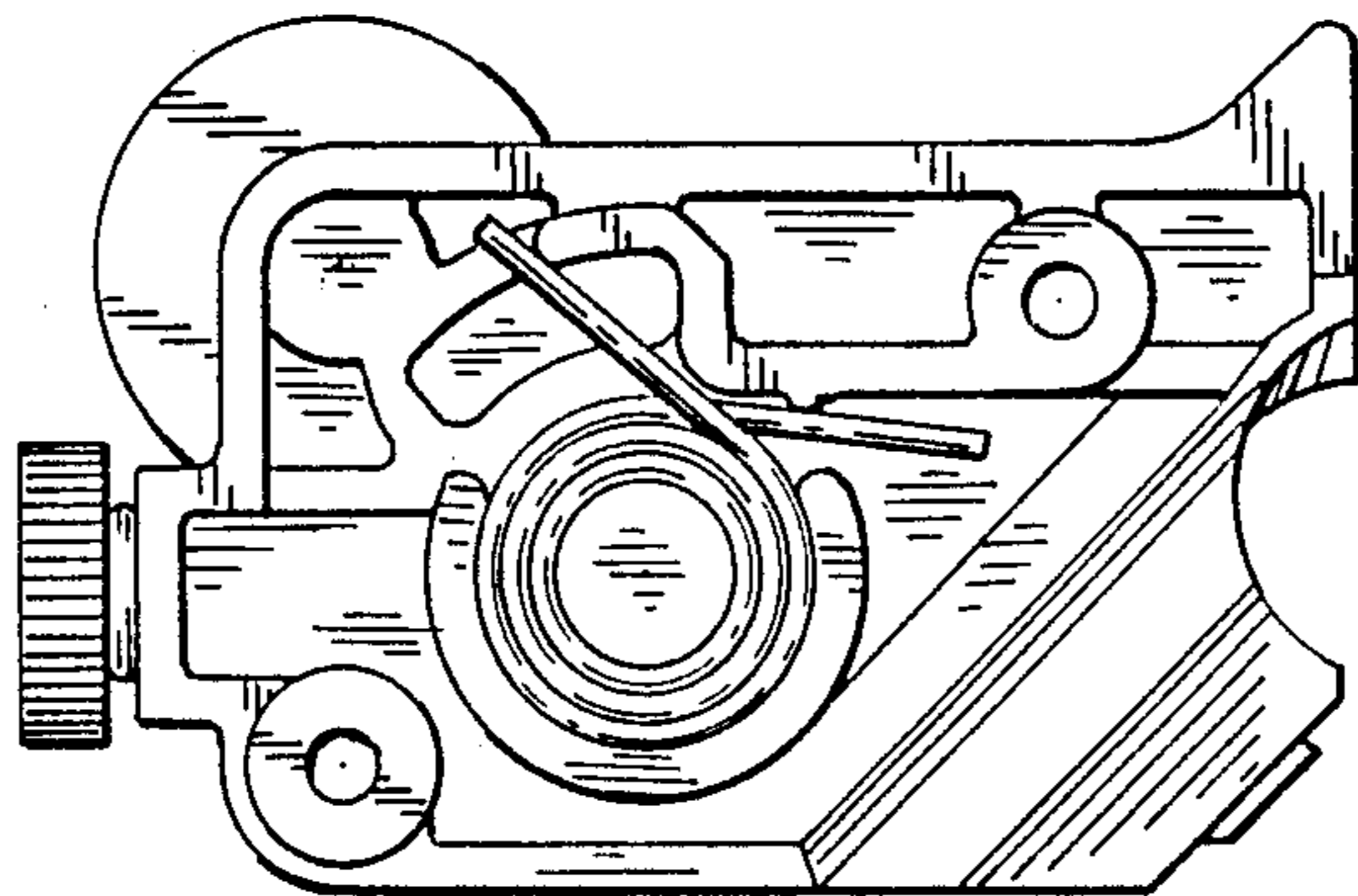


FIG. 5

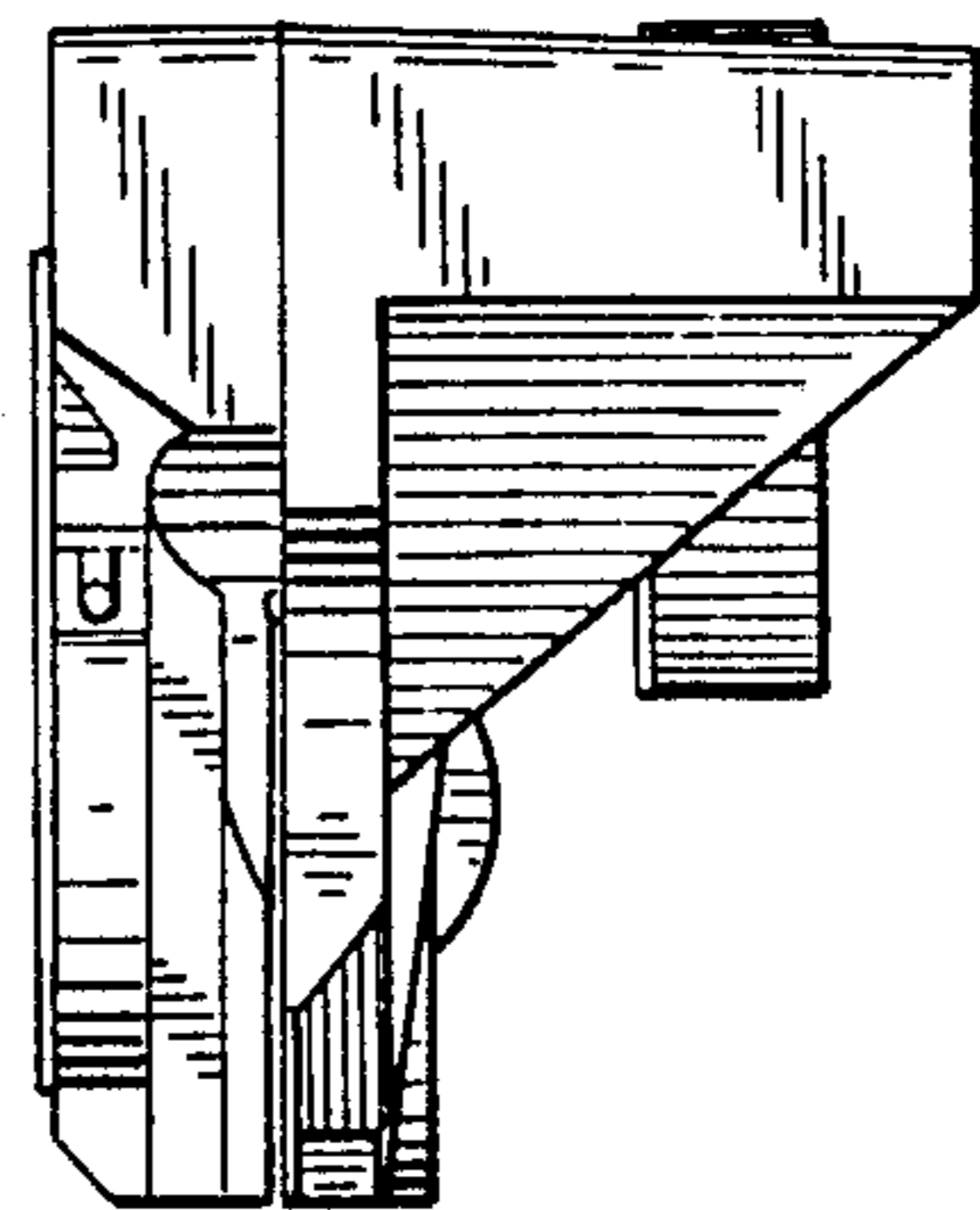


FIG. 6

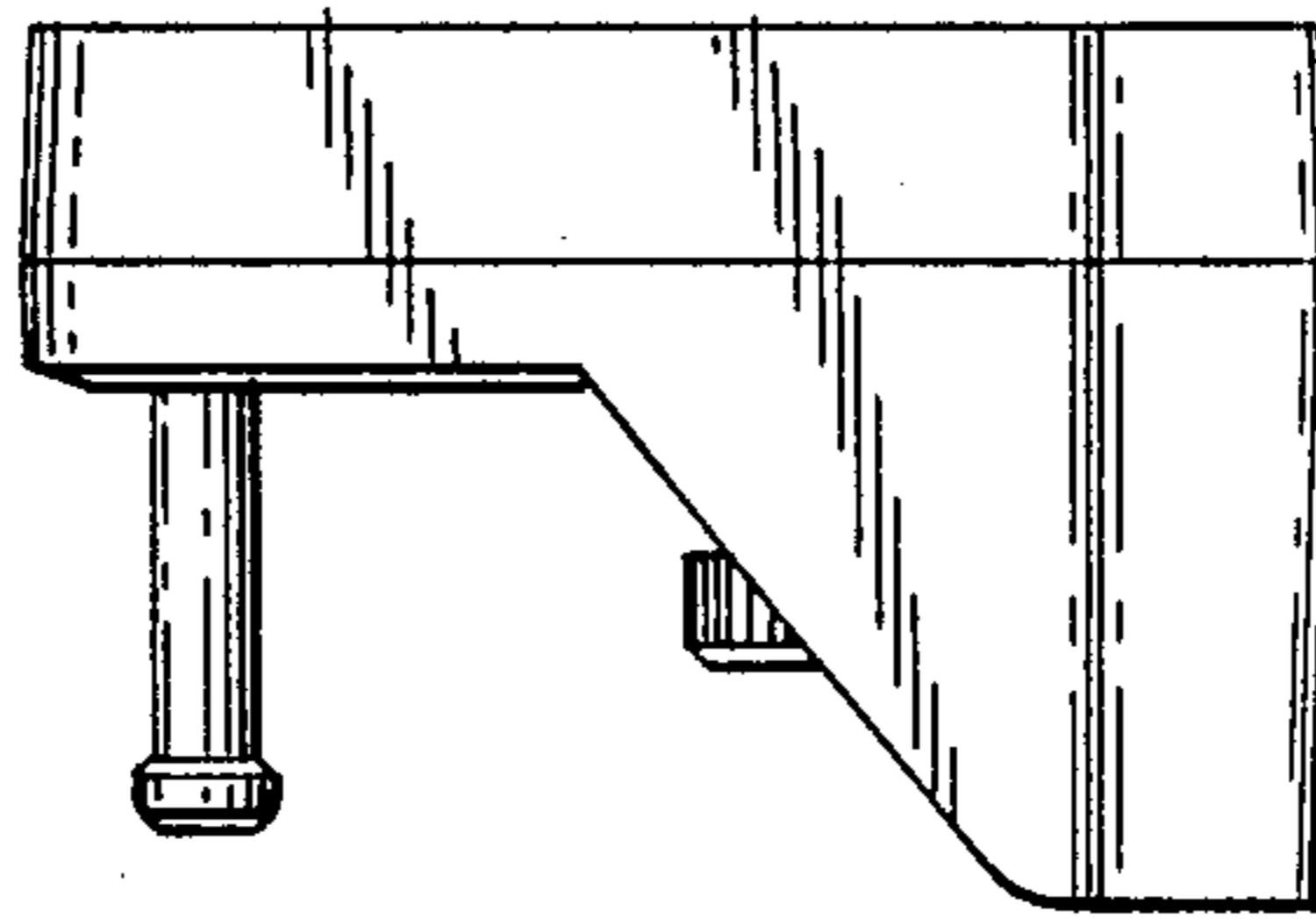


FIG. 8

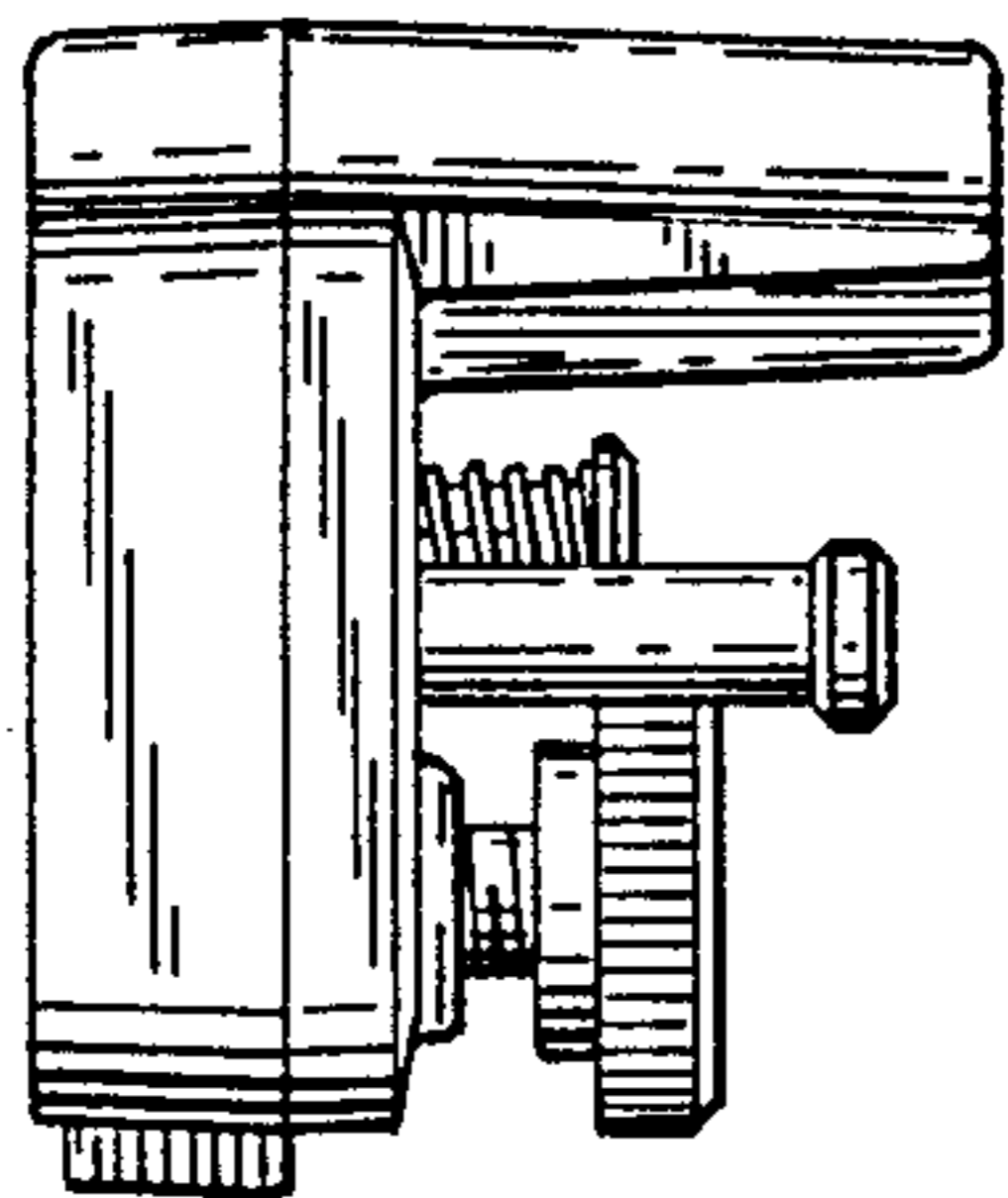


FIG. 11

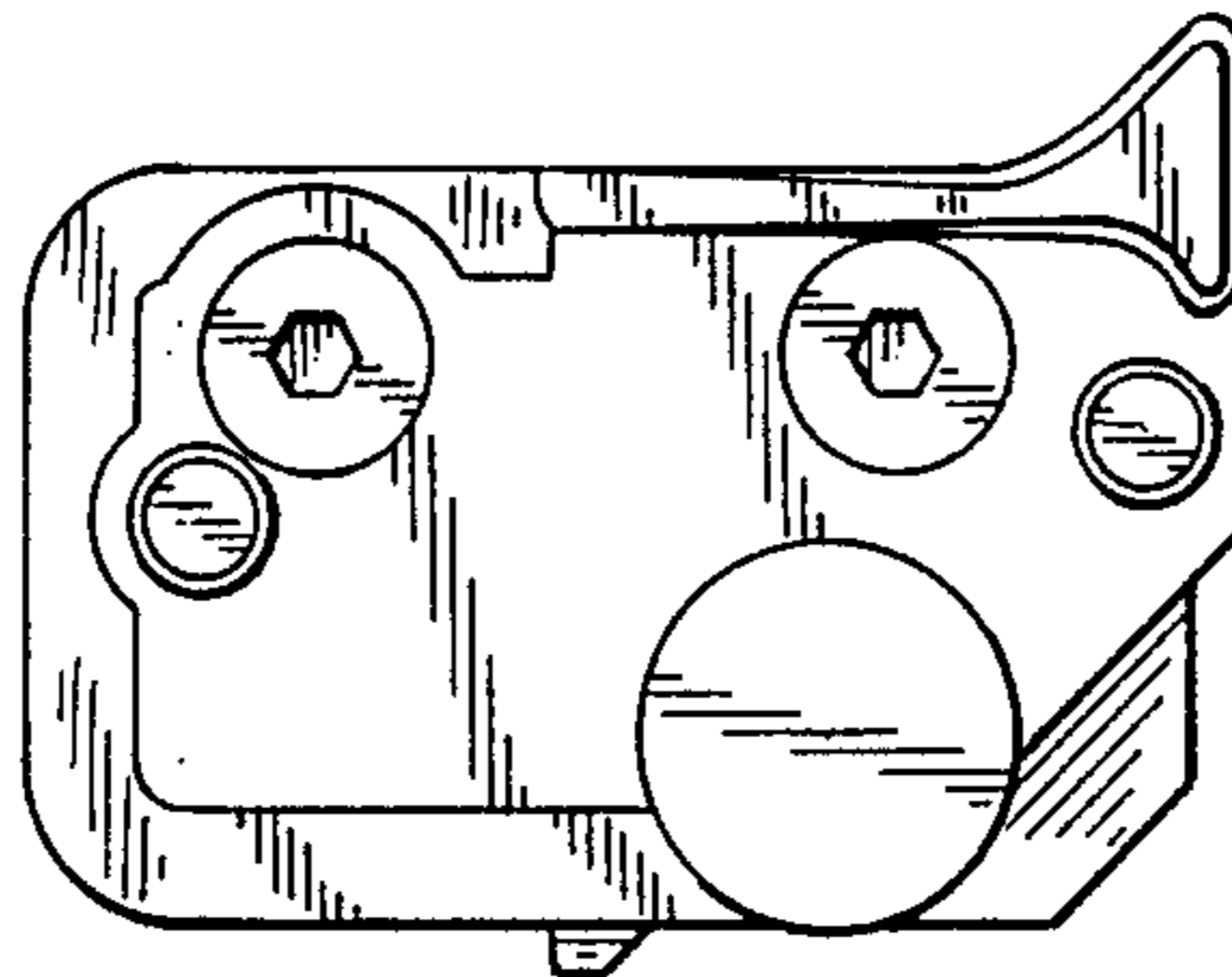


FIG. 9

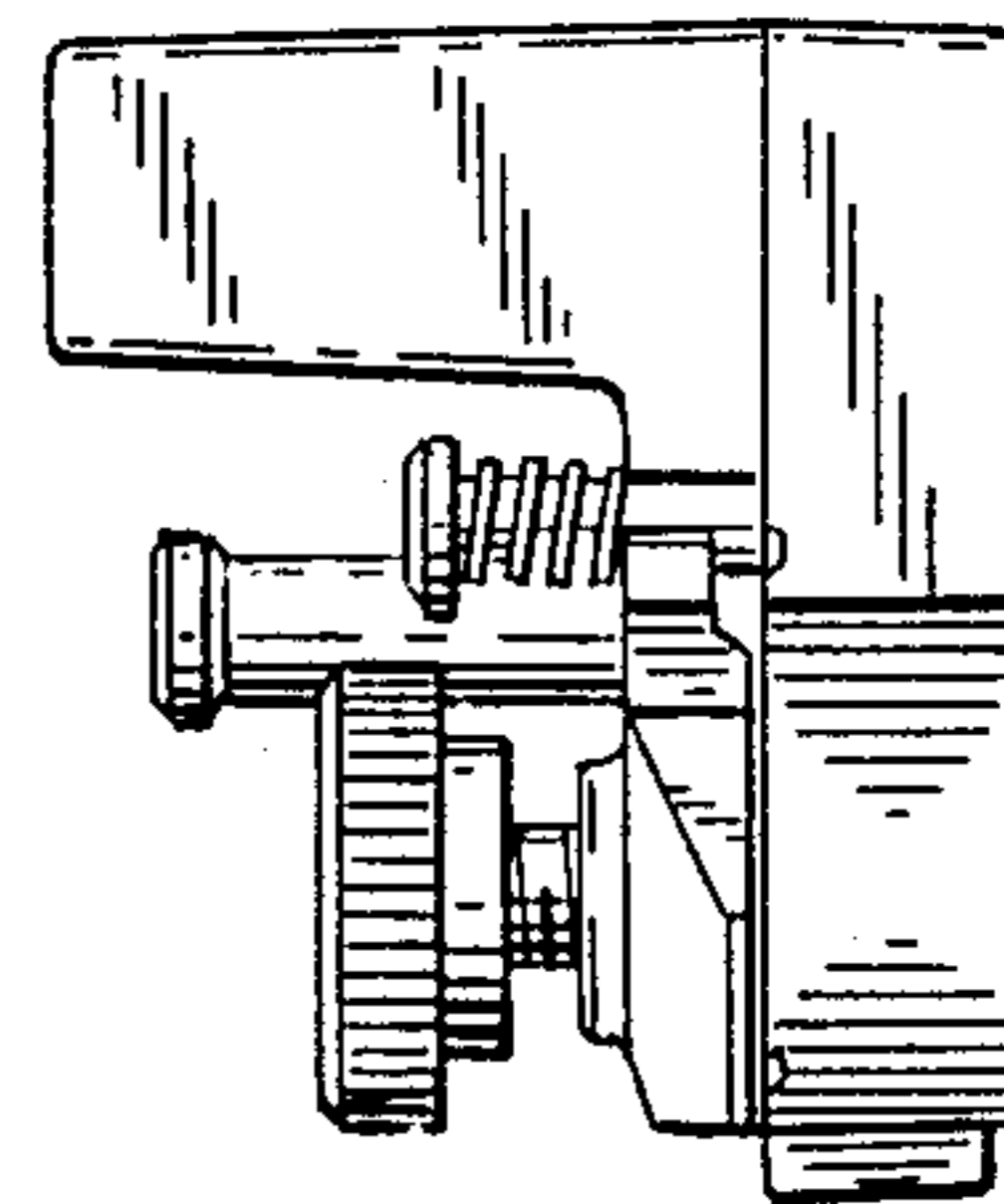


FIG. 10

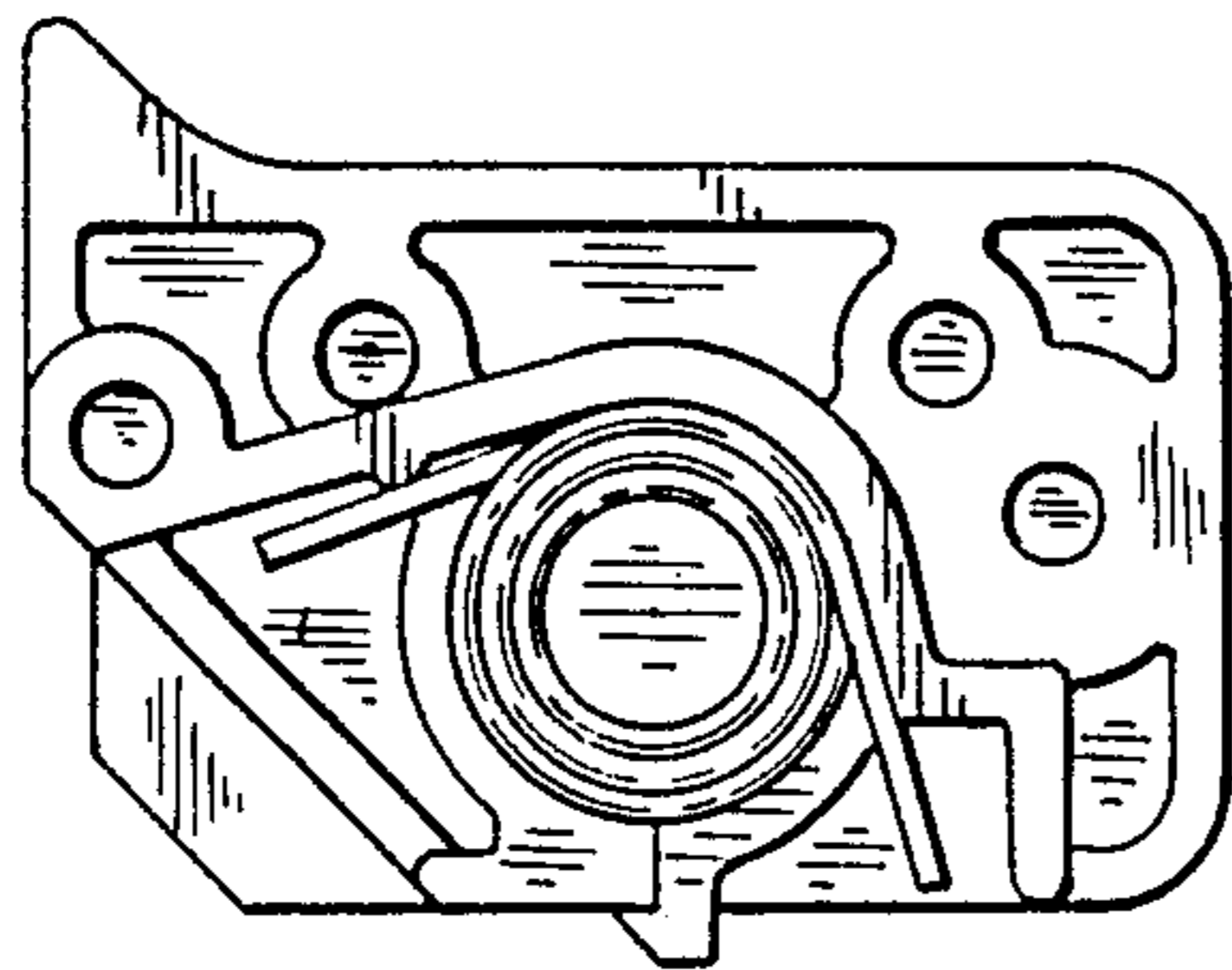


FIG. 12

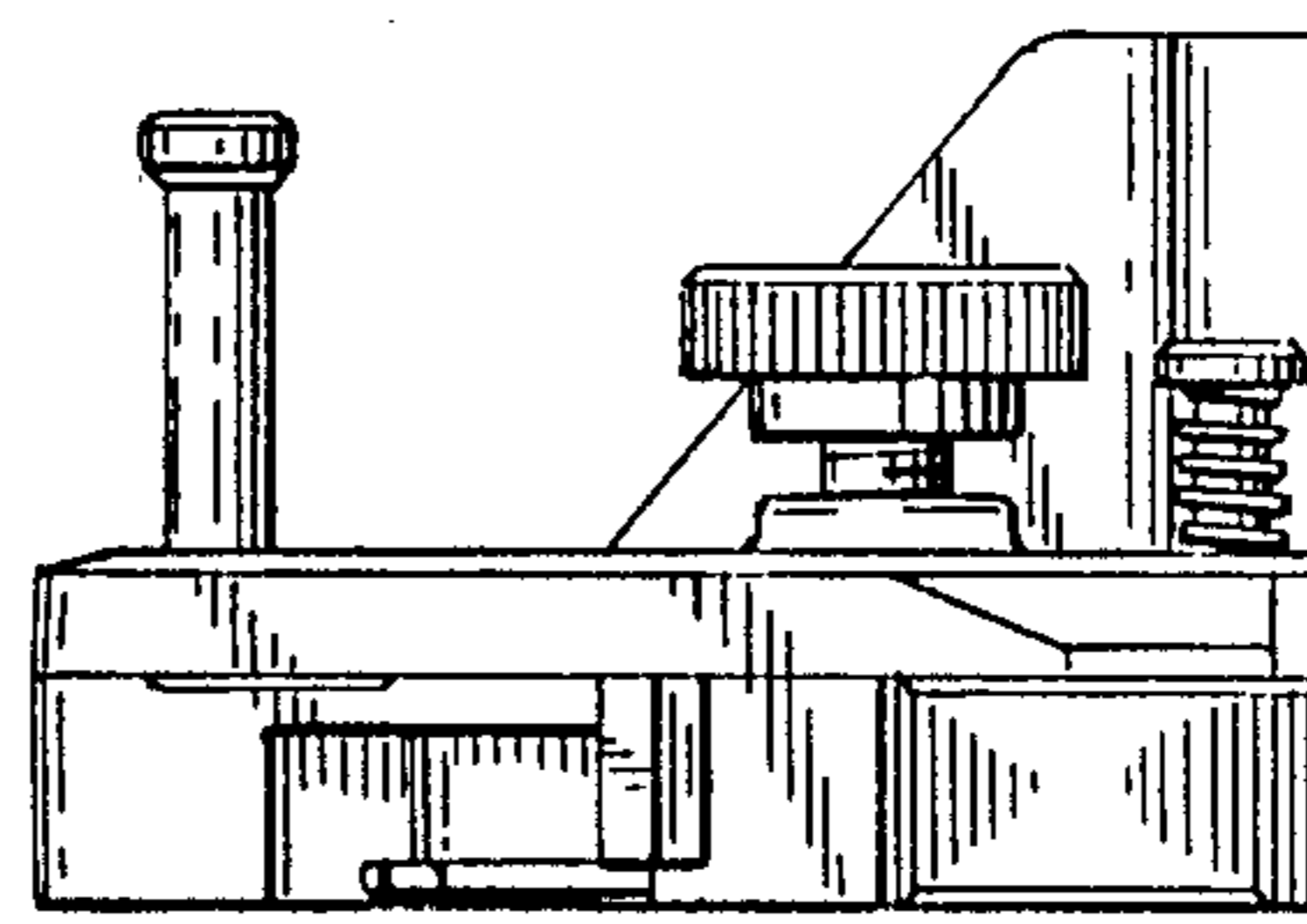


FIG. 13