

United States Patent [19]

Giordano

[11] Patent Number: **Des. 302,235**

[45] Date of Patent: **** Jul. 18, 1989**

[54] FOLDING HATCHET

[76] Inventor: **John M. Giordano**, 820 E. Sparrow Rd., Virginia Beach, Va. 23464

[**] Term: **14 Years**

[21] Appl. No.: **884,277**

[22] Filed: **Jul. 10, 1986**

[52] U.S. Cl. **D8/76; D8/99; D8/107**

[58] Field of Search **D8/75-81, D8/20, 99, 107; D7/106; 81/19-27, 489; 7/143-145, 122; 30/155, 308, 308.1, 308.2, 308.3**

[56] **References Cited**

U.S. PATENT DOCUMENTS

D. 278,967 5/1985 Hewitt D8/76
929,194 7/1909 Compton 30/155

1,220,858 3/1917 Klepsch 30/308.7
3,627,007 12/1971 Rieffer 30/308.1
4,106,539 8/1978 Petrich 30/308.2

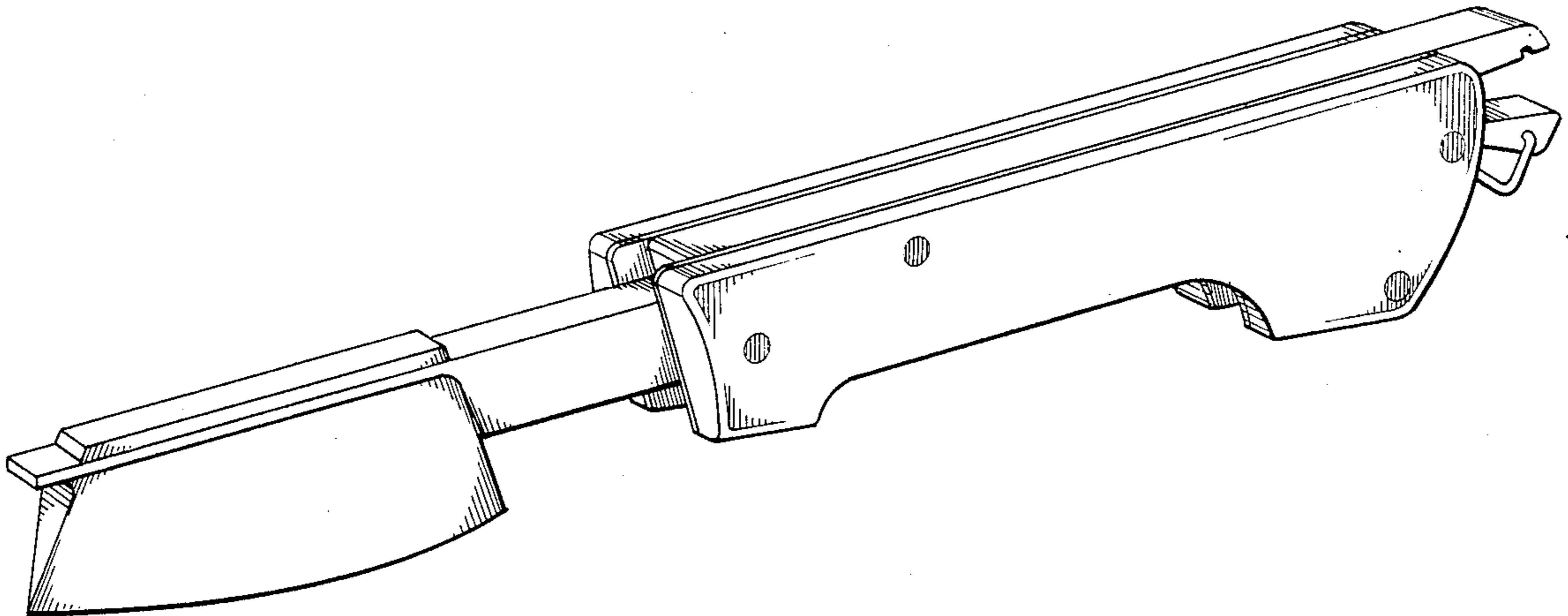
Primary Examiner—Bruce W. Dunkins
Assistant Examiner—Clare E. Heflin
Attorney, Agent, or Firm—Salter & Michaelson

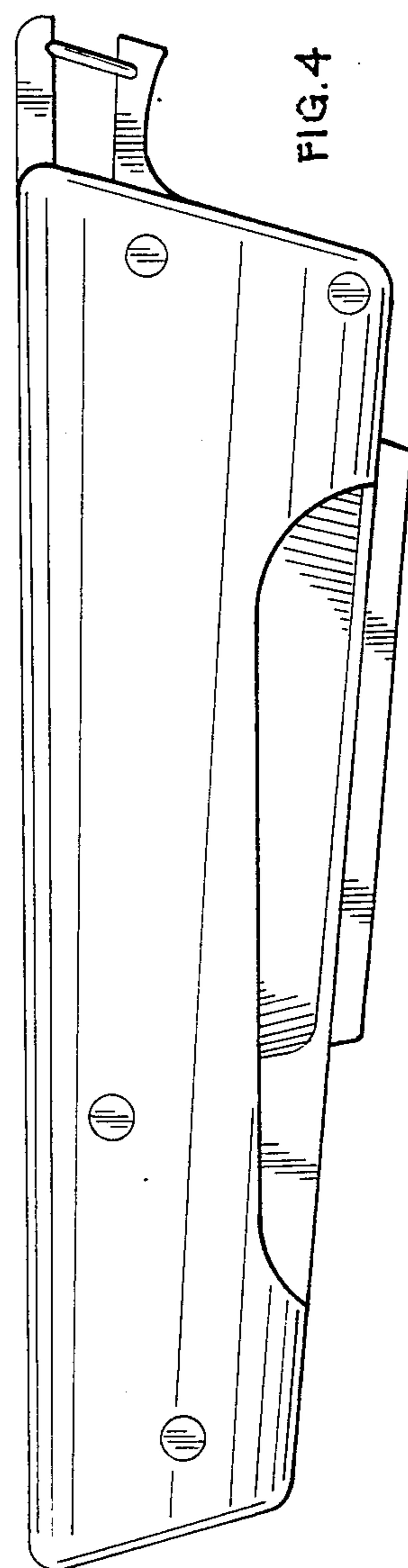
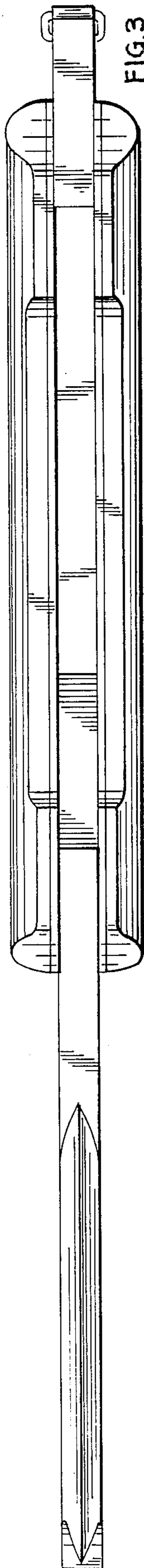
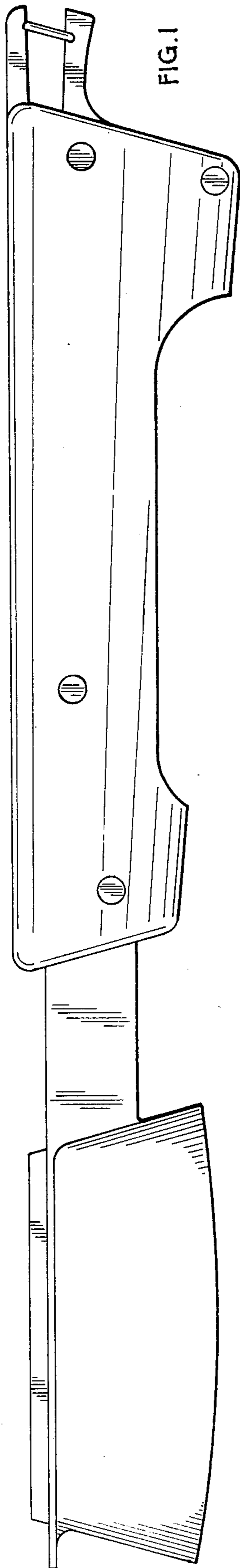
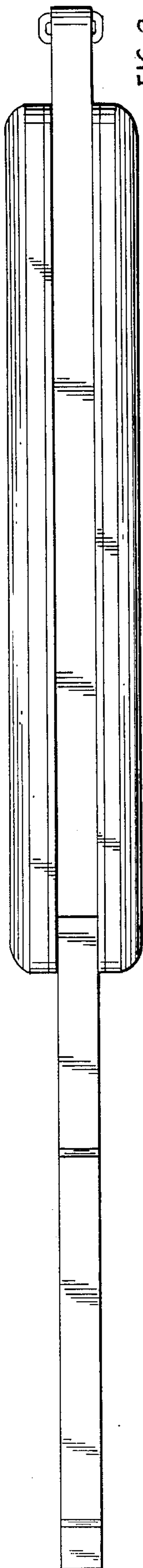
[57] **CLAIM**

The ornamental design for a folding hatchet, as shown and described.

DESCRIPTION

FIG. 1 is a elevational view of a folding hatchet showing my new design;
FIG. 2 is a top plan view thereof;
FIG. 3 is a bottom plan view thereof;
FIG. 4 is a side elevational view thereof with the hatchet shown in the folded position; and
FIG. 5 is a perspective view thereof with the hatchet shown in the unfolded or open position.





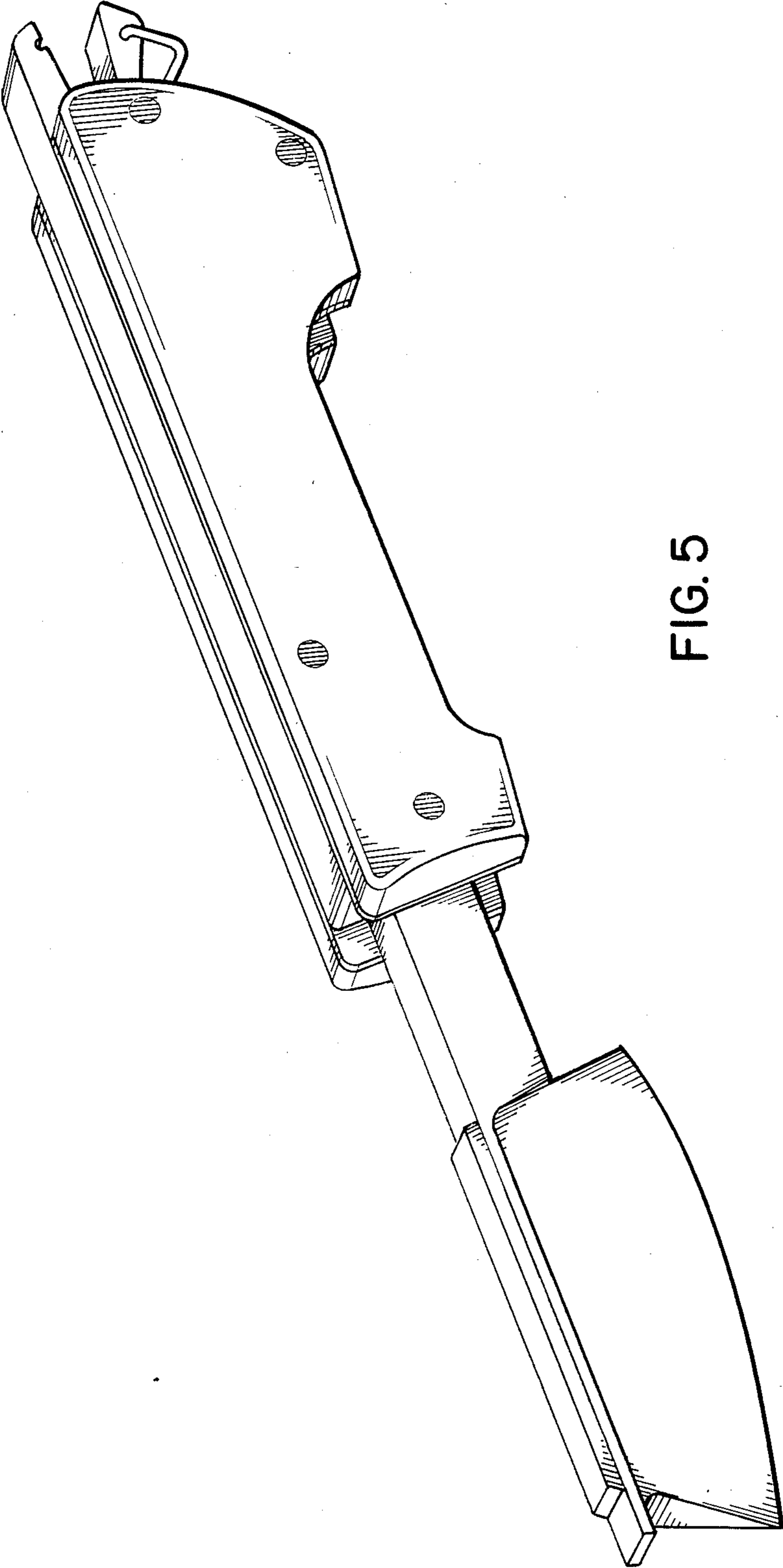


FIG. 5