

[54] BOTTLE CAP OPENER

[75] Inventors: Ronald J. Hoffman, Collierville, Tenn.; Steven W. Neff, Clinton, Iowa

[73] Assignee: Chip Clip Corporation, Dearborn, Mich.

[\*\*] Term: 14 Years

[21] Appl. No.: 914,598

[22] Filed: Oct. 1, 1986

[52] U.S. Cl. .... D8/18

[58] Field of Search ..... D8/18, 40, 33, 41; 81/3.07, 3.55, 3.27, 3.57, 3.4, 3.09; 7/152, 151

[56] References Cited

U.S. PATENT DOCUMENTS

- D. 116,179 8/1939 Yates .
- D. 122,575 9/1940 Smiley .
- D. 126,253 4/1941 Smiley .
- D. 136,124 8/1943 Mossberg .
- D. 152,822 2/1949 Overshiner .
- D. 158,957 6/1950 Haberkorn et al. .
- D. 159,533 8/1950 Przybyla .
- D. 178,729 9/1956 Hill .

- D. 228,224 8/1973 Schlanger .
- 1,707,804 4/1929 Haase ..... 81/3.4
- 1,853,735 4/1932 Lawler ..... 81/3.4
- 2,031,420 2/1936 Leberz ..... 81/3.09
- 2,230,376 2/1941 Cullen ..... 7/144
- 2,568,612 9/1951 Cullen ..... 30/450
- 2,856,804 10/1958 Whiteley .
- 3,143,904 8/1964 Yerkes .
- 3,736,817 6/1973 Huff .
- 4,598,435 7/1986 Borodulin et al. .... 81/3.09 X

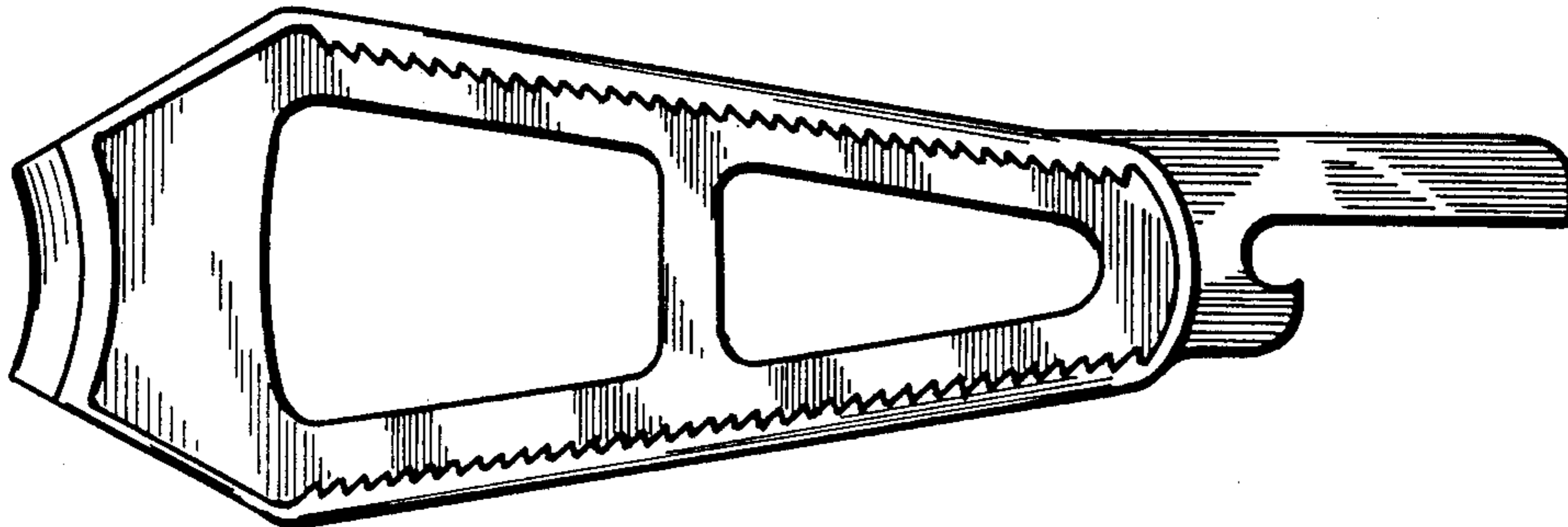
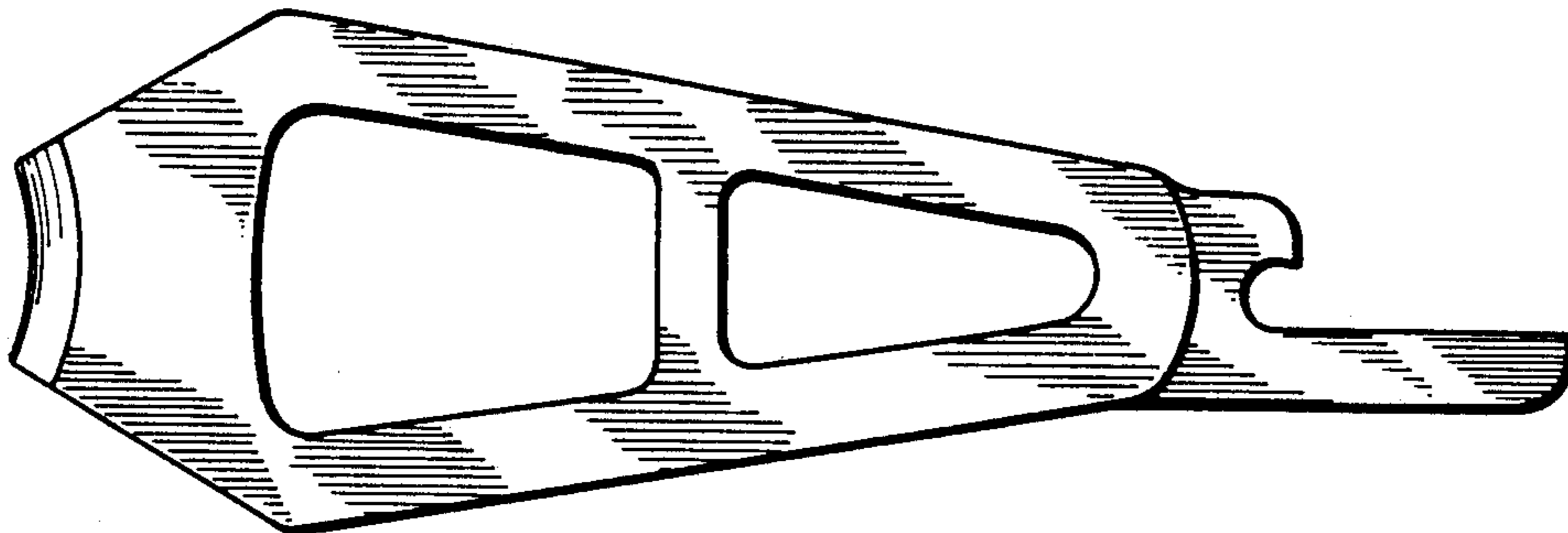
Primary Examiner—Bernard Ansher  
Assistant Examiner—Terry Pfeffer  
Attorney, Agent, or Firm—Wood, Herron & Evans

[57] CLAIM

The ornamental design for a bottle cap opener, as shown.

DESCRIPTION

FIG. 1 is a top plan view of a bottle cap opener showing our new design;  
FIG. 2 is a bottom plan view thereof;  
FIG. 3 is a front elevational view thereof;  
FIG. 4 is a rear elevational view thereof;  
FIG. 5 is a left side elevational view thereof; and  
FIG. 6 is a right side elevational view thereof.



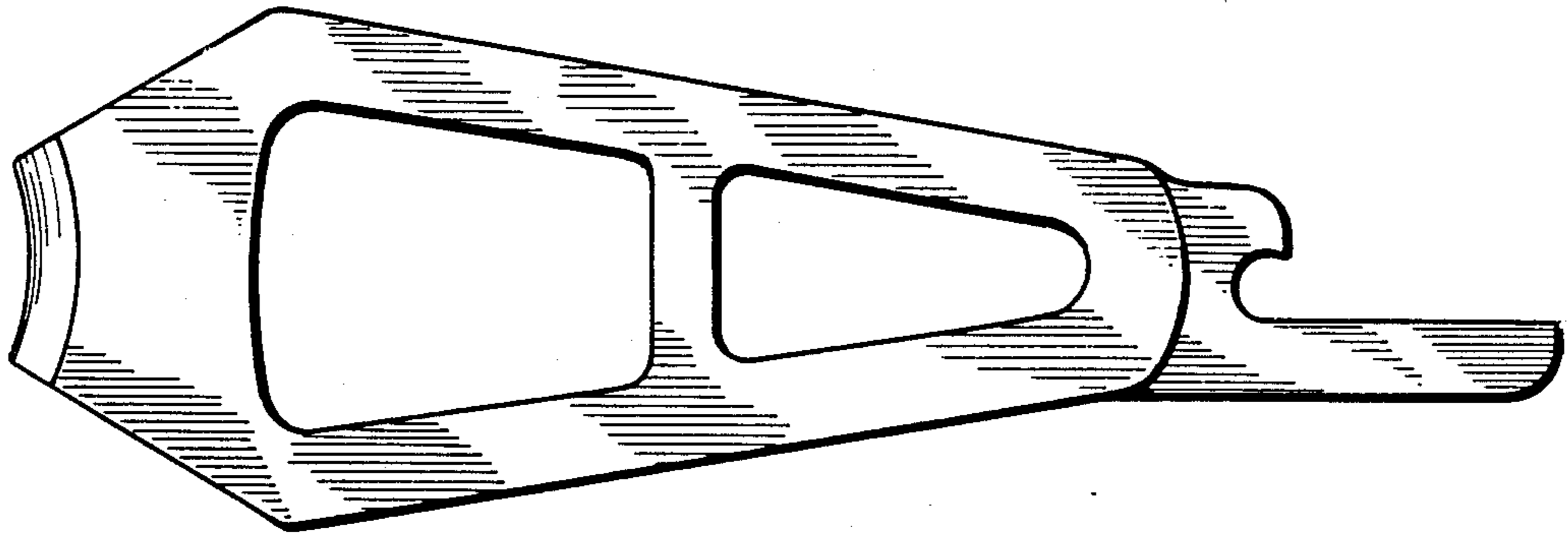


FIG. 1

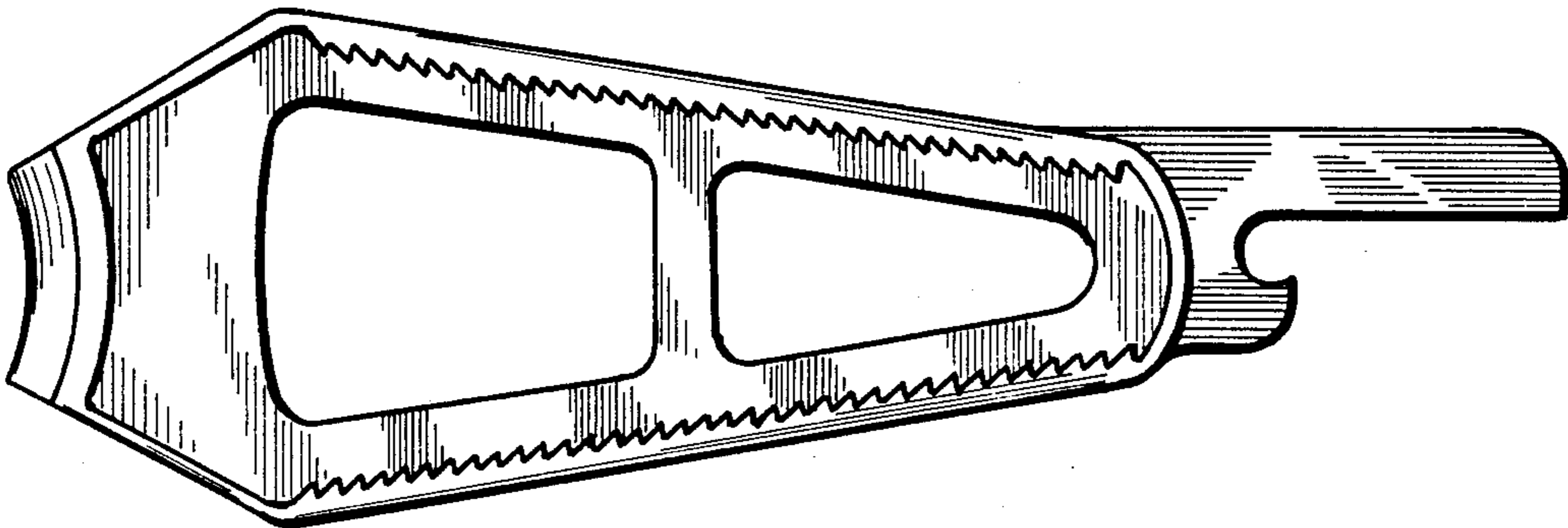


FIG. 2



FIG. 3



FIG. 4

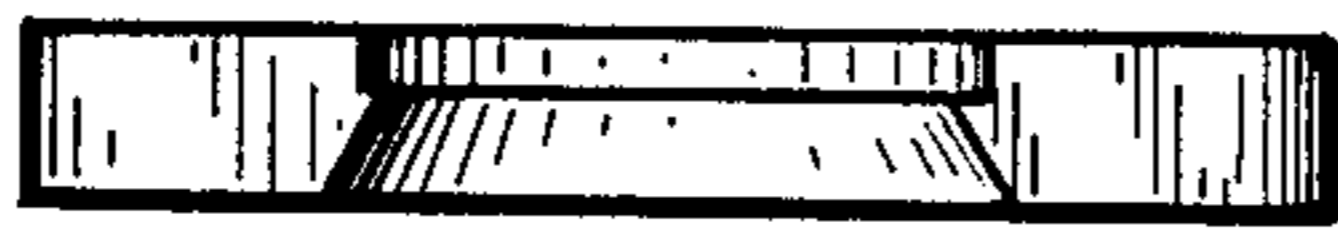


FIG. 5



FIG. 6