

[54] MANUALLY-OPERATED GRANULAR FERTILIZER APPLICATOR

D. 267,305 12/1982 Lempa, Jr. D8/2
3,399,639 9/1968 Enblom 111/7.4

[76] Inventor: George J. Foret, 217 Louise Dr., Raceland, La. 70394

Primary Examiner—Wallace R. Burke
Assistant Examiner—Brian N. Vinson
Attorney, Agent, or Firm—Jerry T. Kearns

[**] Term: 14 Years

[57] CLAIM

[21] Appl. No.: 40,626

The ornamental design for a manually-operated granular fertilizer applicator, as shown and described.

[22] Filed: Apr. 21, 1987

[52] U.S. Cl. D8/1

DESCRIPTION

[58] Field of Search D8/1-2;
111/7.2, 7.4, 22, 24; 172/121-122

FIG. 1 is a front elevational view of a manually-operated granular fertilizer applicator showing my new design, the rear being a mirror image of, and the adjacent sides being substantially similar in appearance to that shown, and the shaft being shown broken-away for ease of illustration;

[56] References Cited

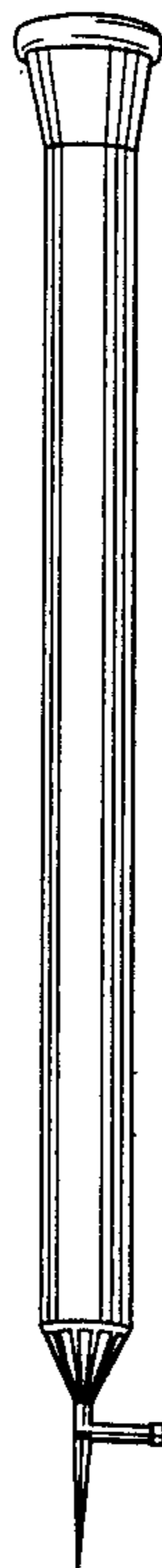
U.S. PATENT DOCUMENTS

- D. 103,140 2/1937 Wettstein D8/1
- D. 161,696 1/1951 Lee D8/2 X
- D. 175,849 10/1955 Moore, Jr. et al. D8/1
- D. 215,119 9/1969 Dozier D8/2 X

FIG. 2 is a reduced perspective view thereof;

FIG. 3 is a top plan view thereof; and

FIG. 4 is a bottom plan view thereof.



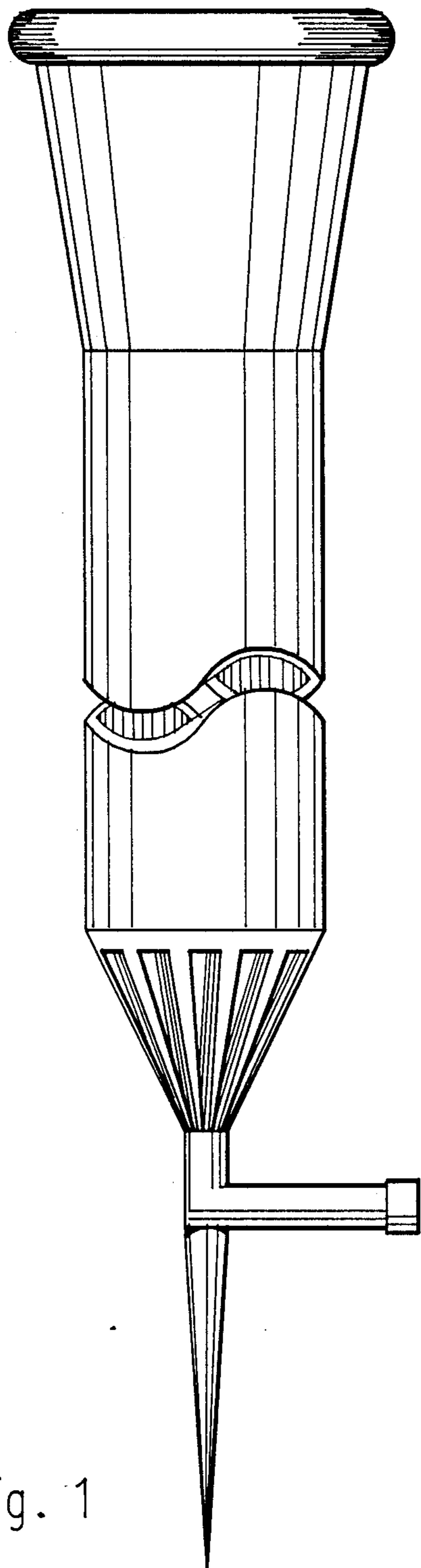


Fig. 1

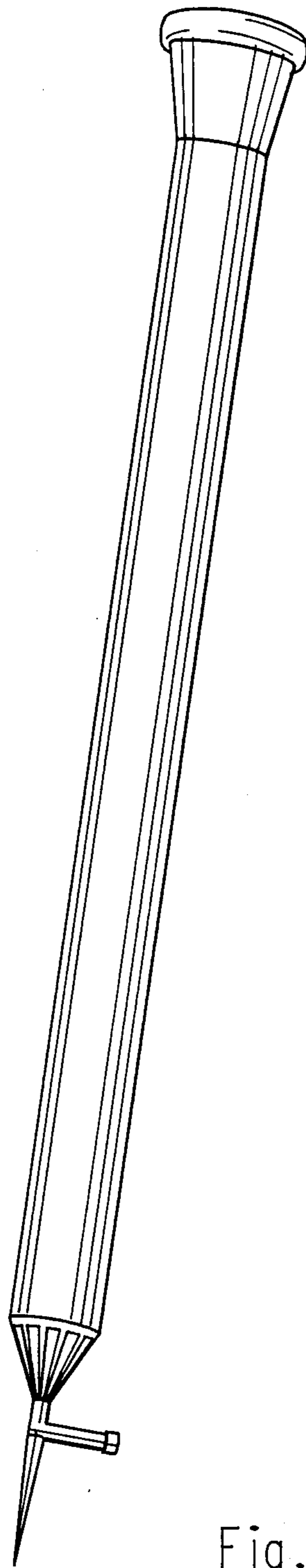


Fig. 2

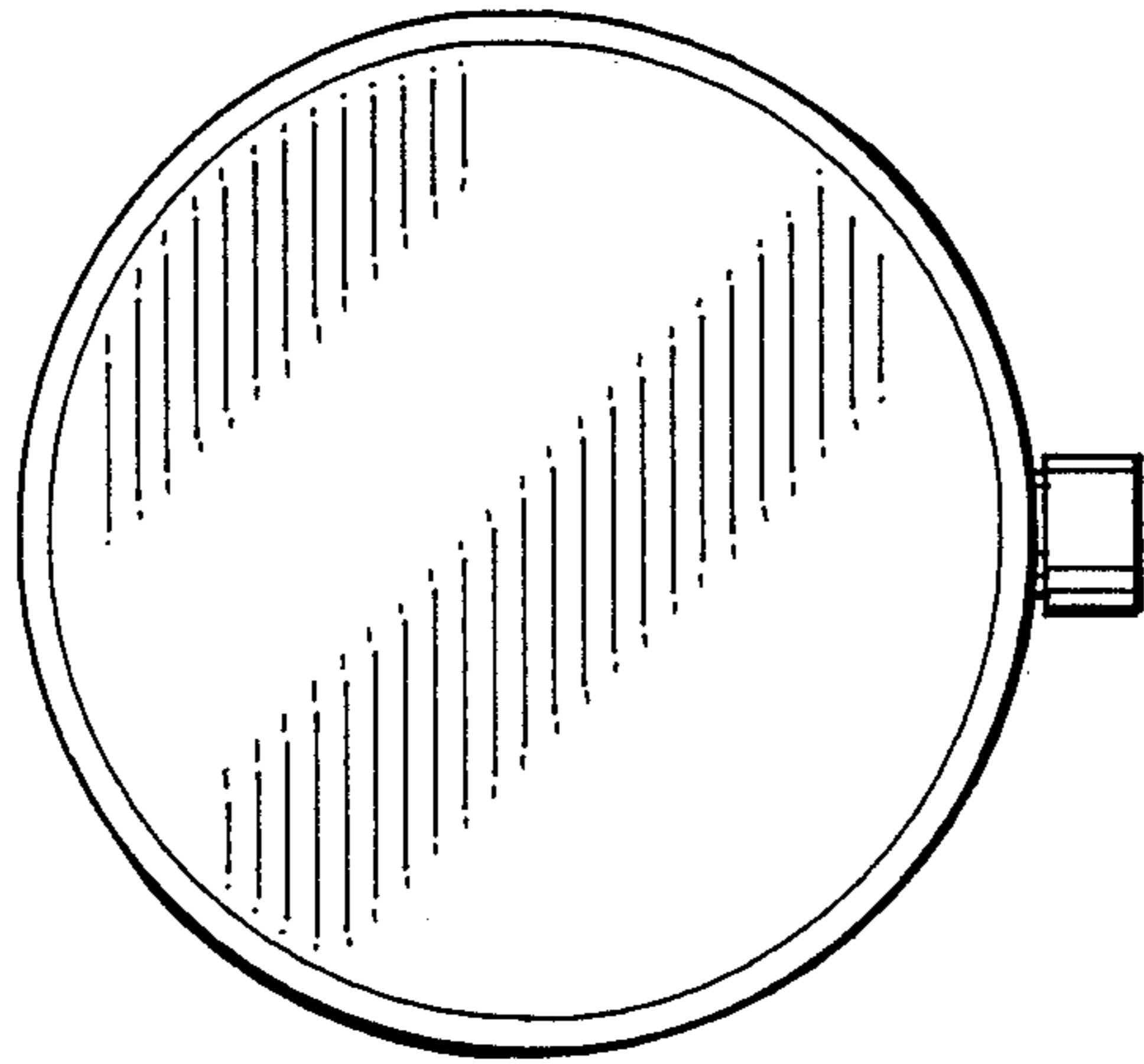


Fig. 3

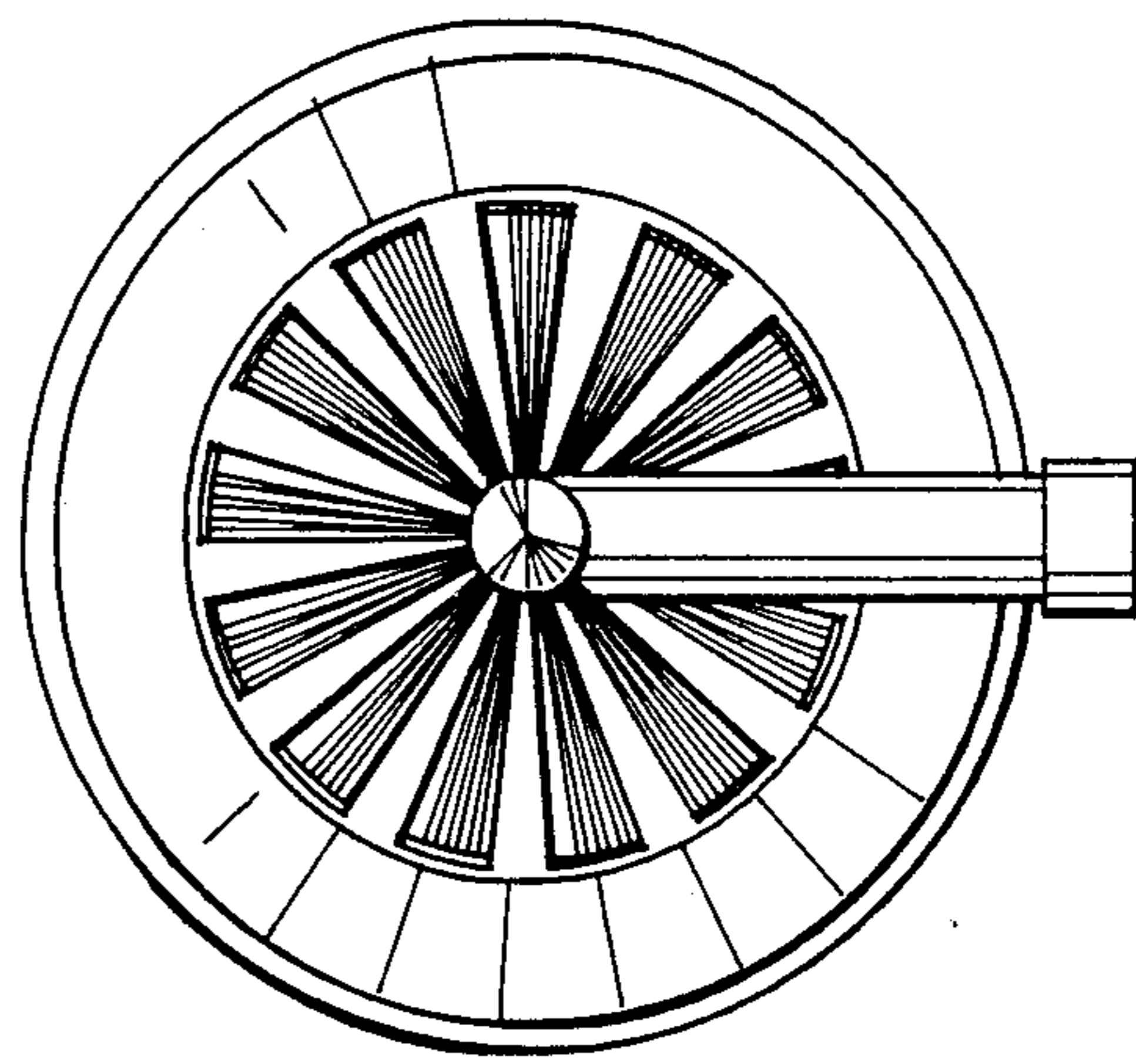


Fig. 4