

United States Patent [19]

Gilgore et al.

[11] Patent Number: **Des. 302,229**

[45] Date of Patent: **** Jul. 18, 1989**

[54] **TRAY FOR PROOFER OR BAKING OVEN**

[75] Inventors: **William H. Gilgore; William H. Arnold**, both of York, Pa.

[73] Assignee: **Teledyne Industries, Inc.**, Los Angeles, Calif.

[**] Term: **14 Years**

[21] Appl. No.: **857,612**

[22] Filed: **Apr. 24, 1986**

[52] U.S. Cl. **D7/409; D7/387**

[58] Field of Search 99/426, 483, 427, 450; 198/848, 495; 34/203, 204; D7/409, 408, 387, 357, 43, 338

[56] **References Cited**

U.S. PATENT DOCUMENTS

691,833 1/1902 Williamson 99/426

3,440,973 4/1969 Lanham et al. 99/483
4,005,646 2/1977 Krüper 99/450 X
4,625,634 12/1986 Krüper D7/409 X

FOREIGN PATENT DOCUMENTS

607775 7/1926 France 198/848

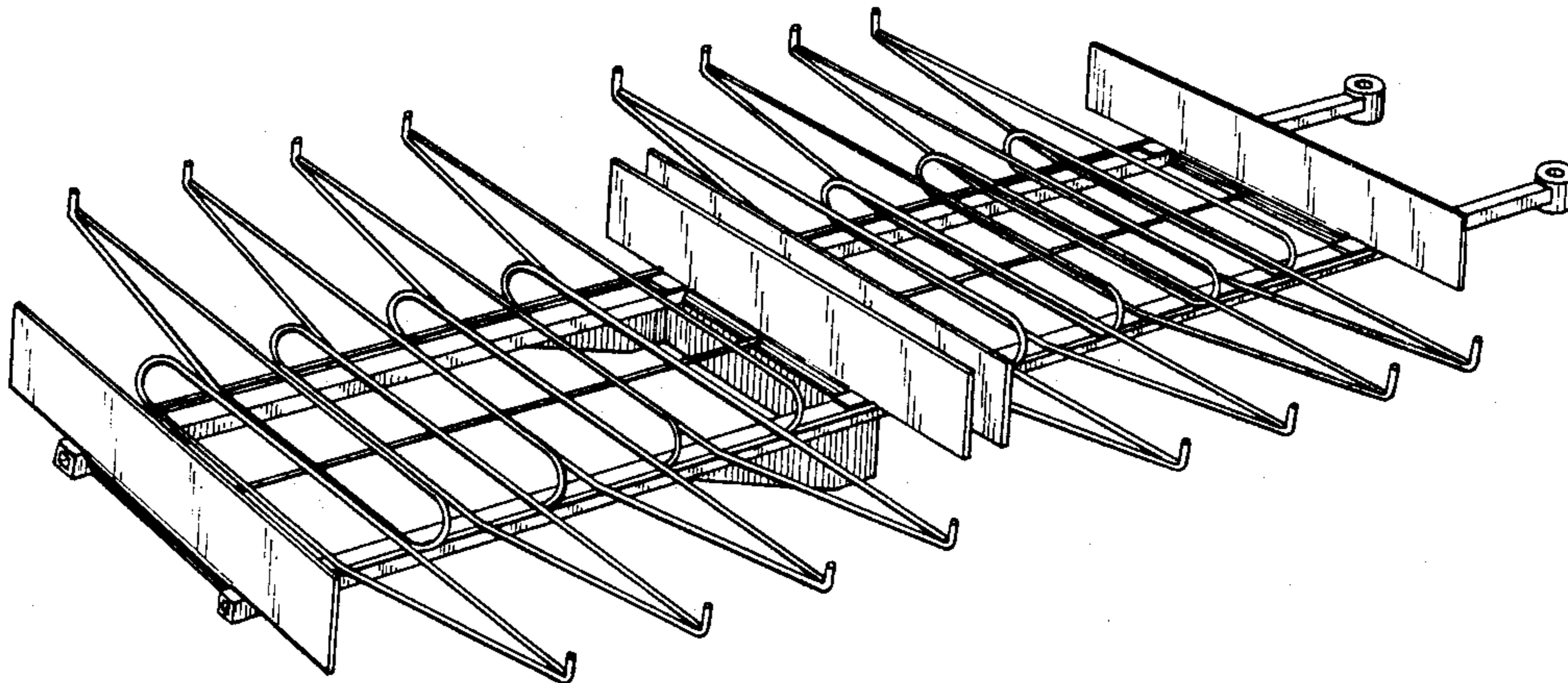
Primary Examiner—Winifred E. Herrmann
Attorney, Agent, or Firm—Charles J. Long

[57] **CLAIM**

The ornamental design for a tray for proofer or baking oven, as shown and described.

DESCRIPTION

FIG. 1 is a perspective view of a tray for proofer or baking oven showing our new design;
FIG. 2 is an end elevational view thereof;
FIG. 3 is the other end elevational view thereof;
FIG. 4 is a top plan view thereof; and
FIG. 5 is a bottom plan view thereof.



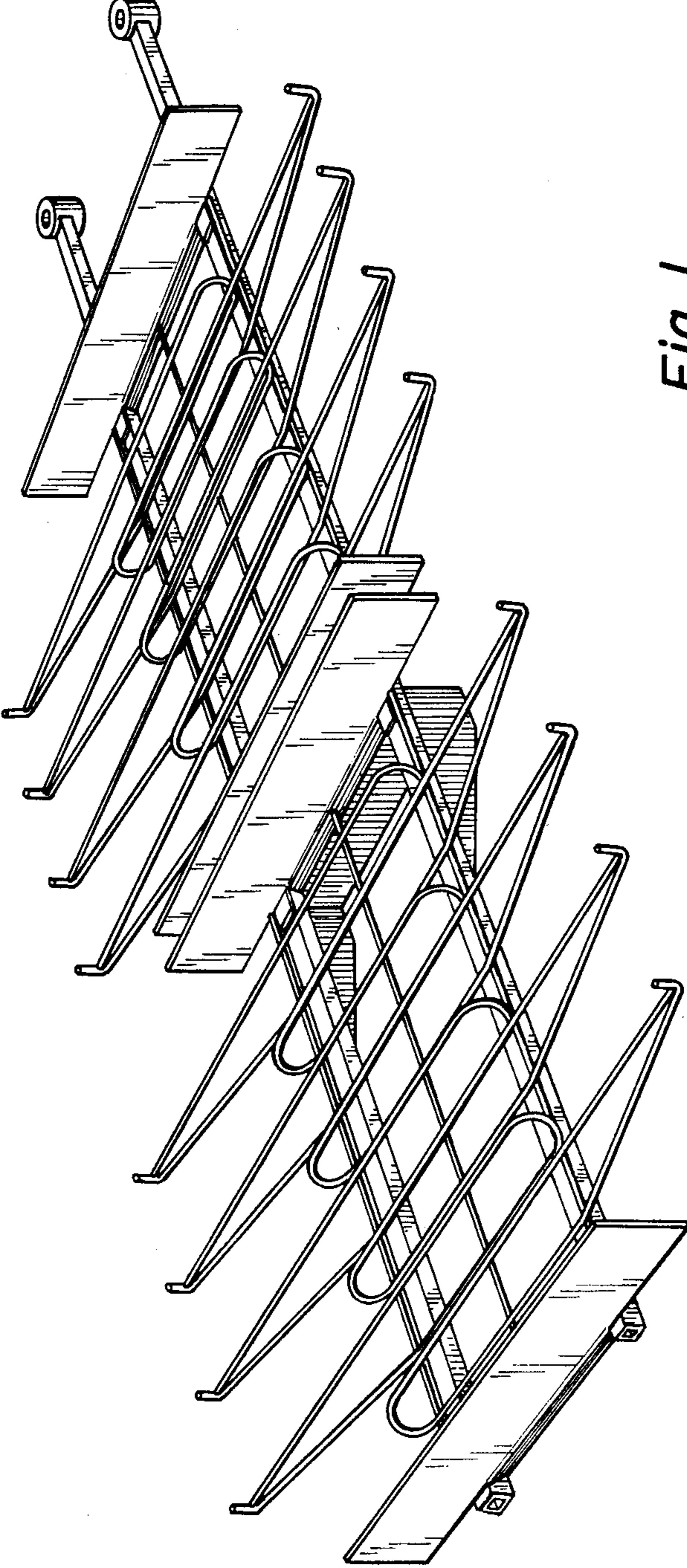


Fig. 1

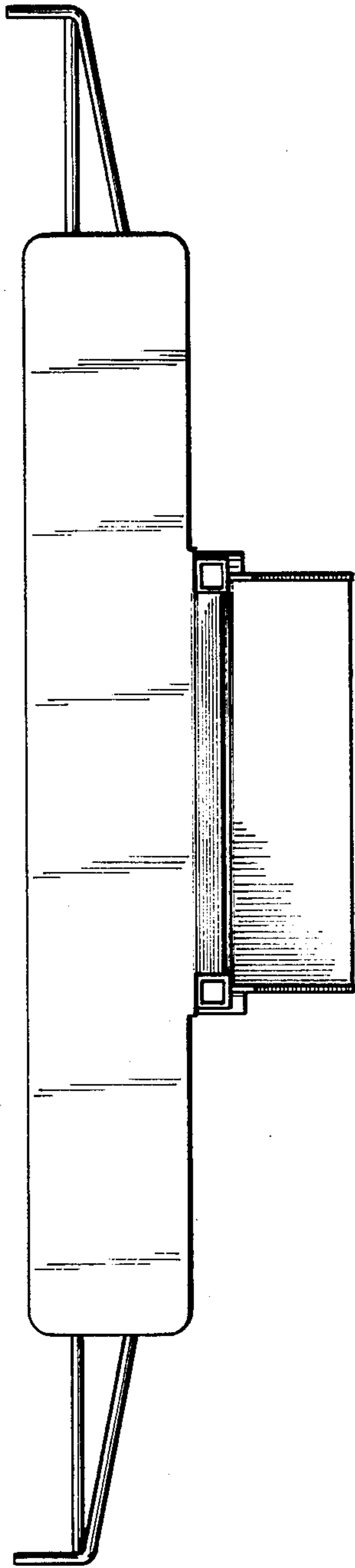


Fig. 2

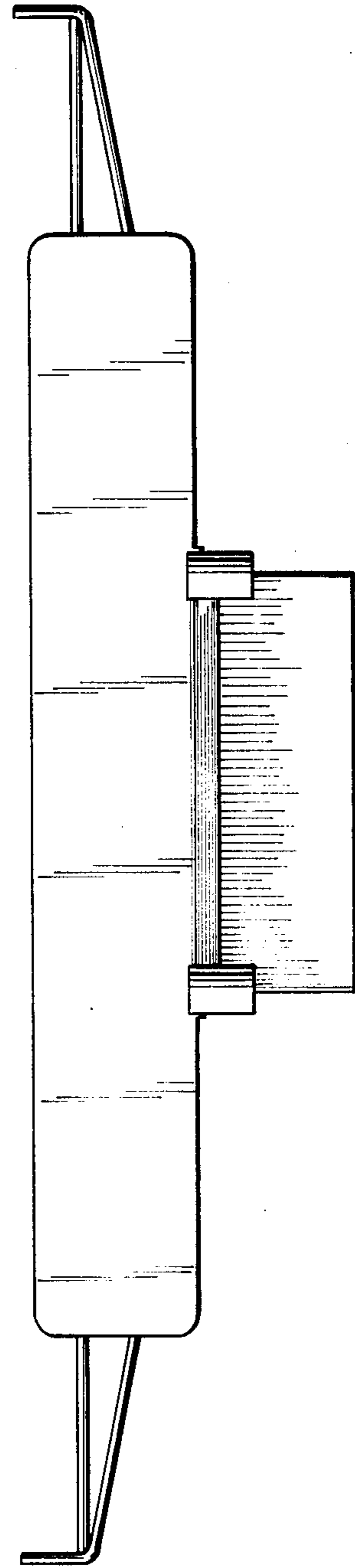


Fig. 3

Fig. 4

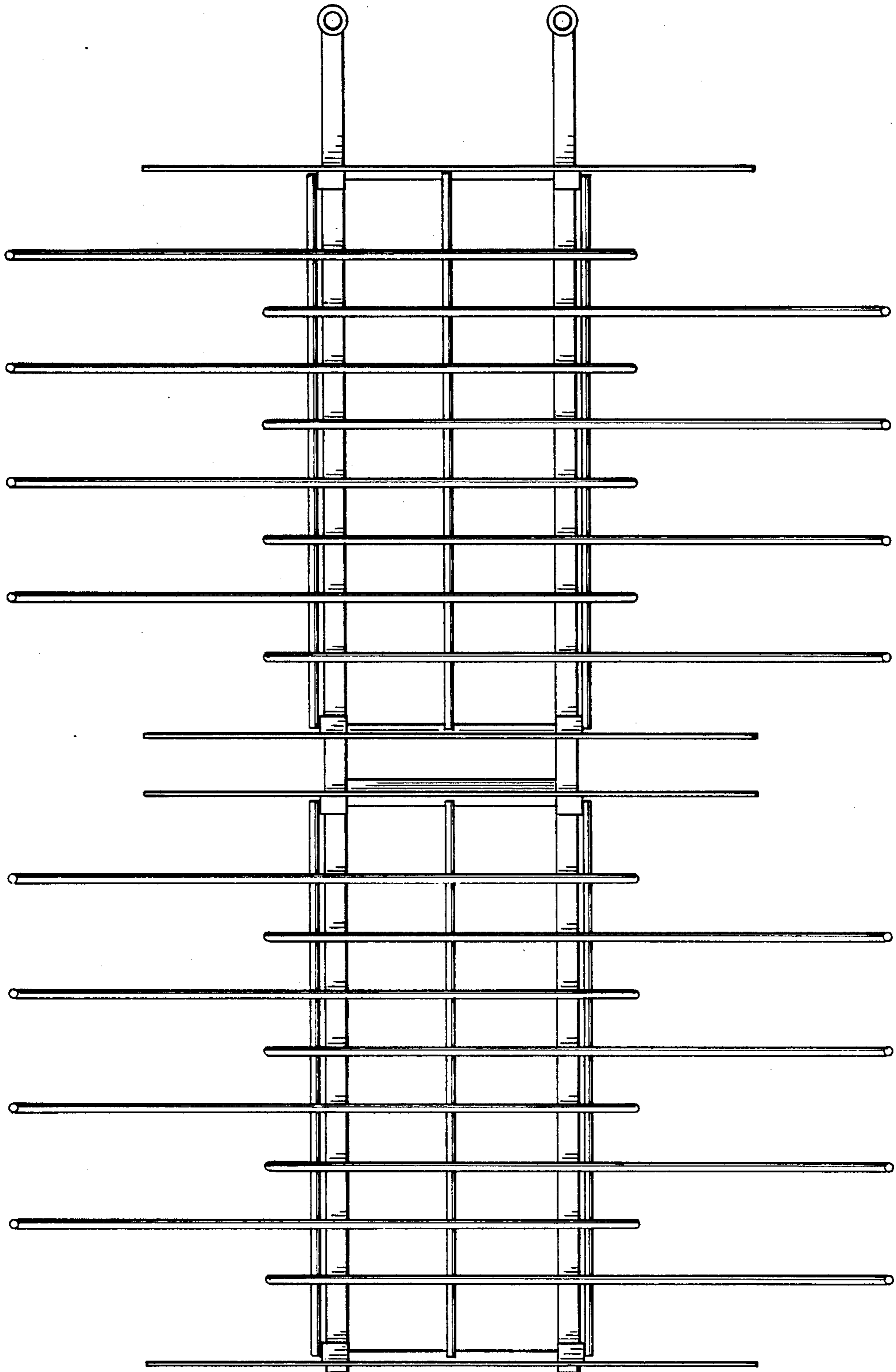


Fig. 5

