

[54] ELECTRICAL FOOD PROCESSOR

[75] Inventor: **Jean-Louis Barrault,**
Boulogne-Billancourt, France

[73] Assignee: **Moulinex, Societe Anonyme,**
Bagnolet, France

[**] Term: **14 Years**

[21] Appl. No.: **946,533**

[22] Filed: **Dec. 29, 1986**

[30] **Foreign Application Priority Data**

Jul. 11, 1986 [FR]	France	863754
[52] U.S. Cl.		D7/384; D7/378
[58] Field of Search		D7/384, 383, 381, 49, D7/368, 378, 412, 413, 386

[56] **References Cited**

U.S. PATENT DOCUMENTS

D. 215,680	10/1969	Hanson et al.	D7/386
D. 254,948	5/1980	Besford	D7/384
D. 256,318	8/1980	Levin	D7/384
D. 297,901	10/1988	Barrault	D7/384

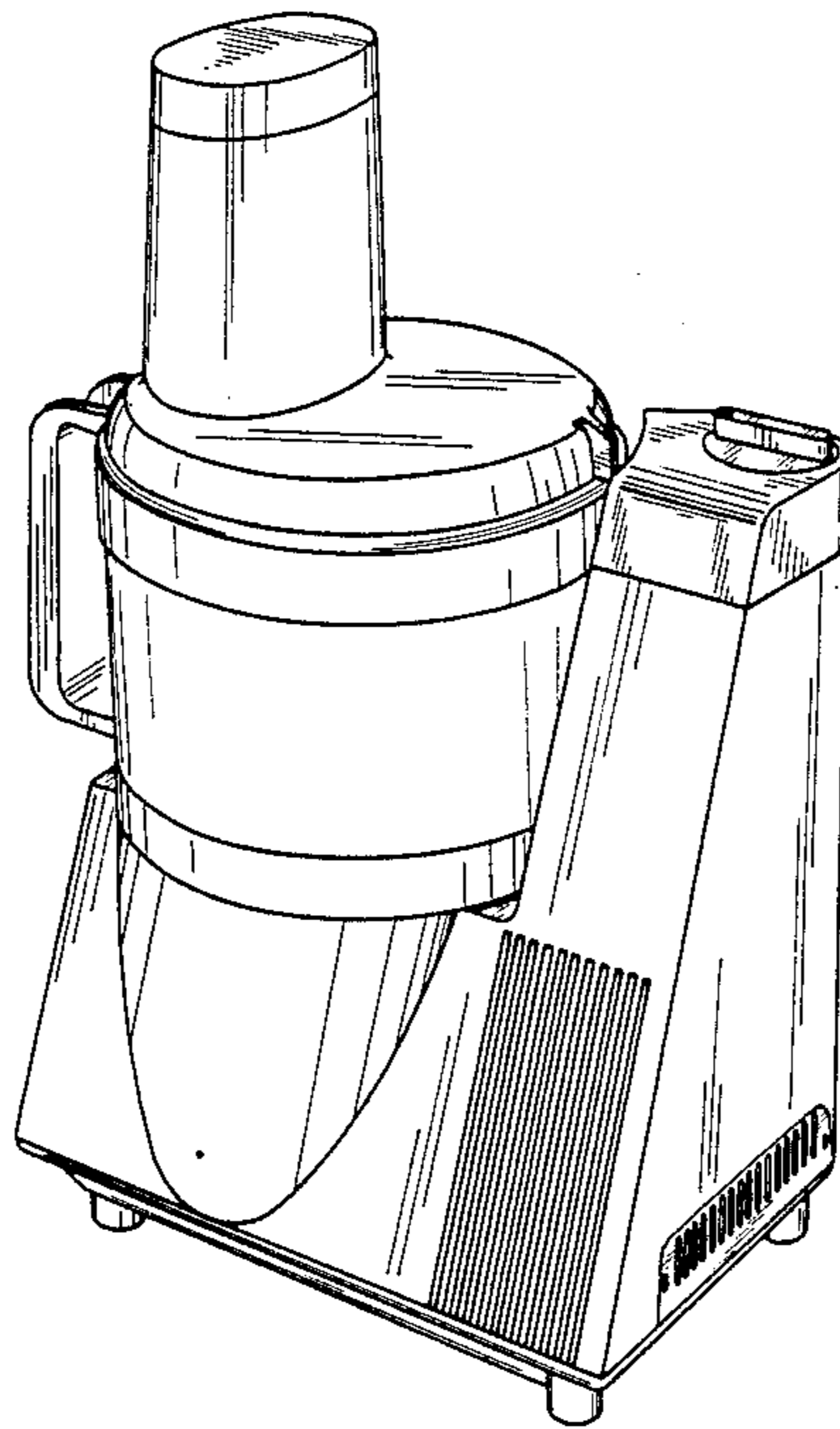
Primary Examiner—Winifred E. Herrmann
Attorney, Agent, or Firm—Young & Thompson

[57] **CLAIM**

The ornamental design for an electrical food processor, as shown.

DESCRIPTION

FIG. 1 is a perspective view of an electrical food processor showing my new design; FIG. 2 is a front elevational view thereof; FIG. 3 is a left-side elevational view thereof; FIG. 4 is a right-side elevational view thereof; FIG. 5 is a rear elevational view thereof; FIG. 6 is a top plan view thereof; and FIG. 7 is a bottom plan view thereof.



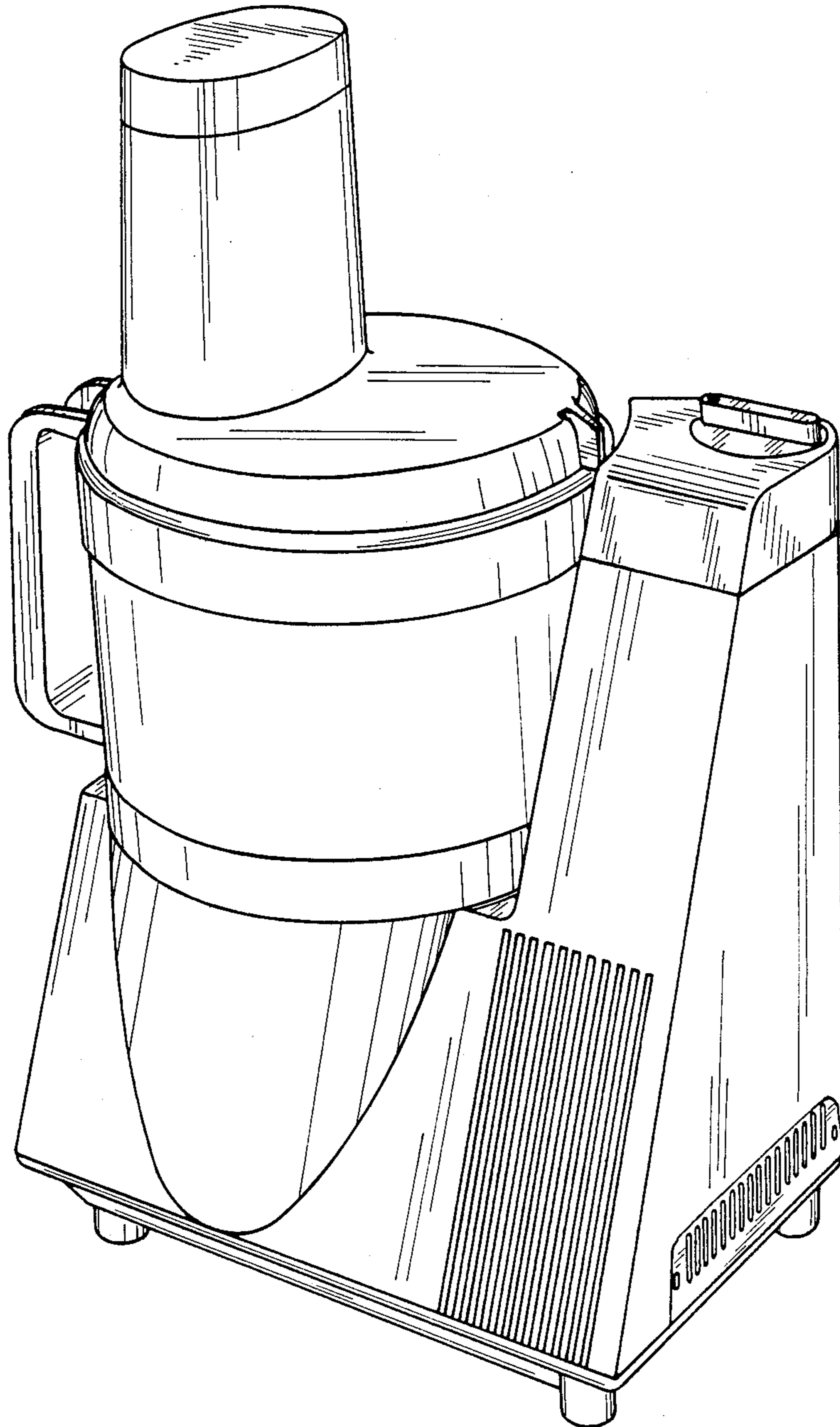


FIG. 1

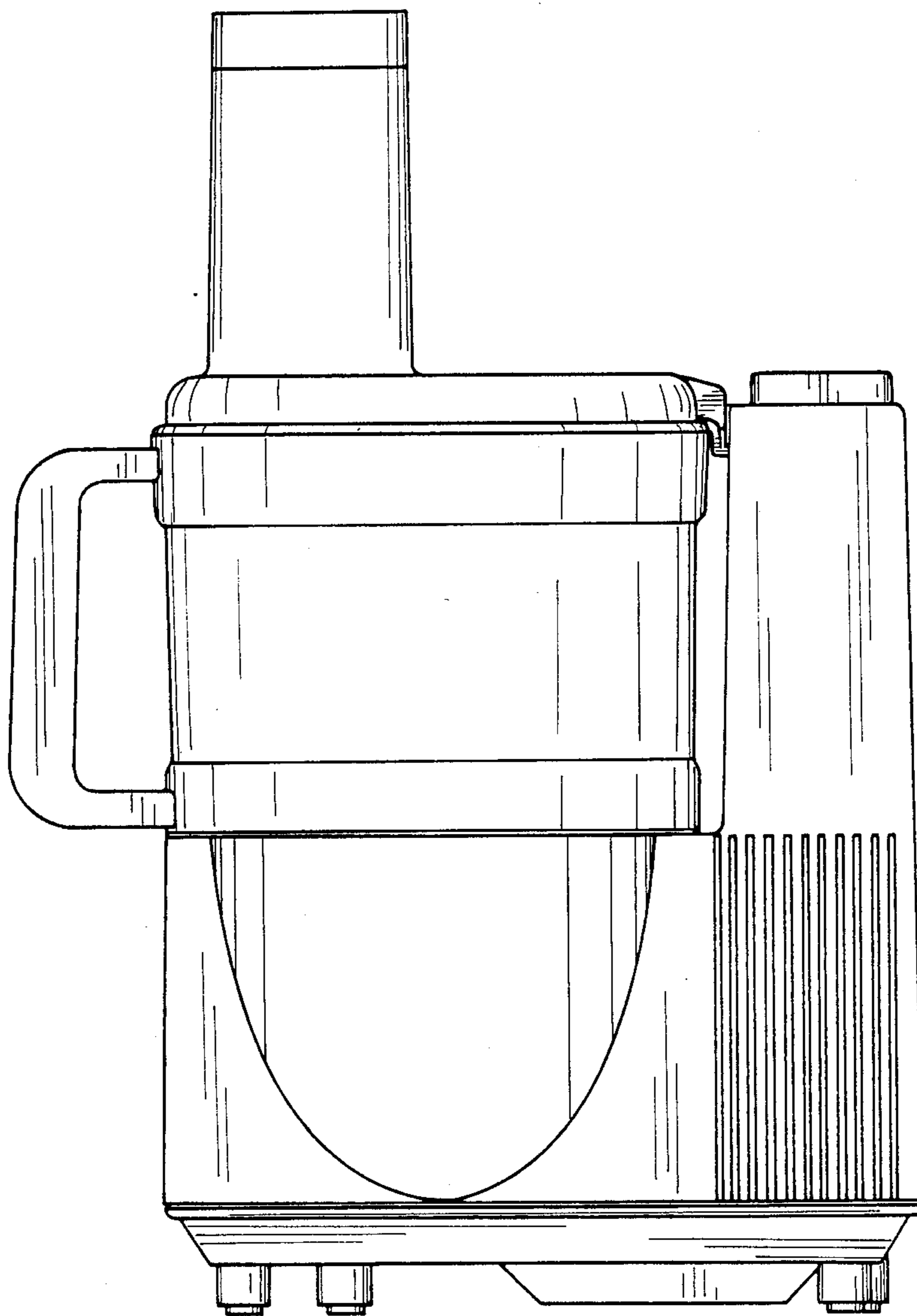


FIG. 2

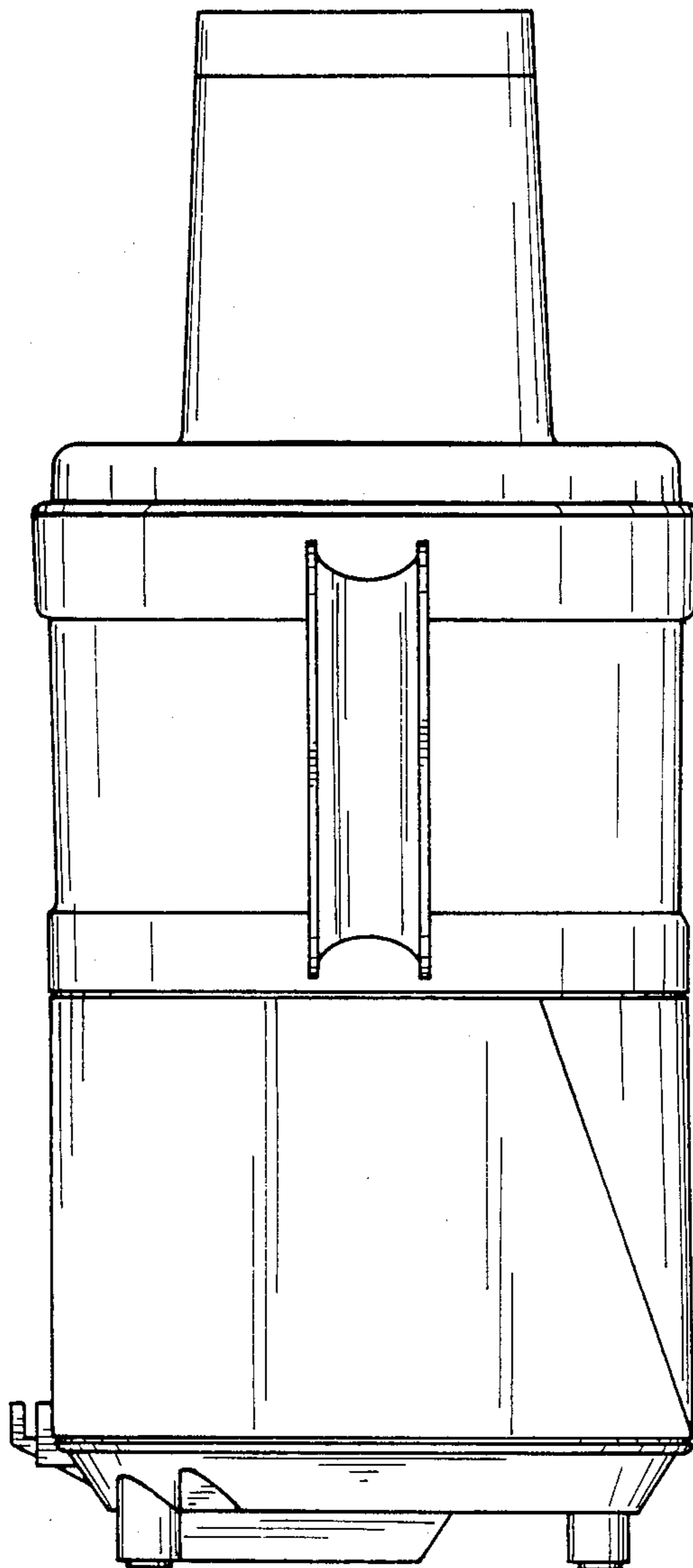


FIG. 3

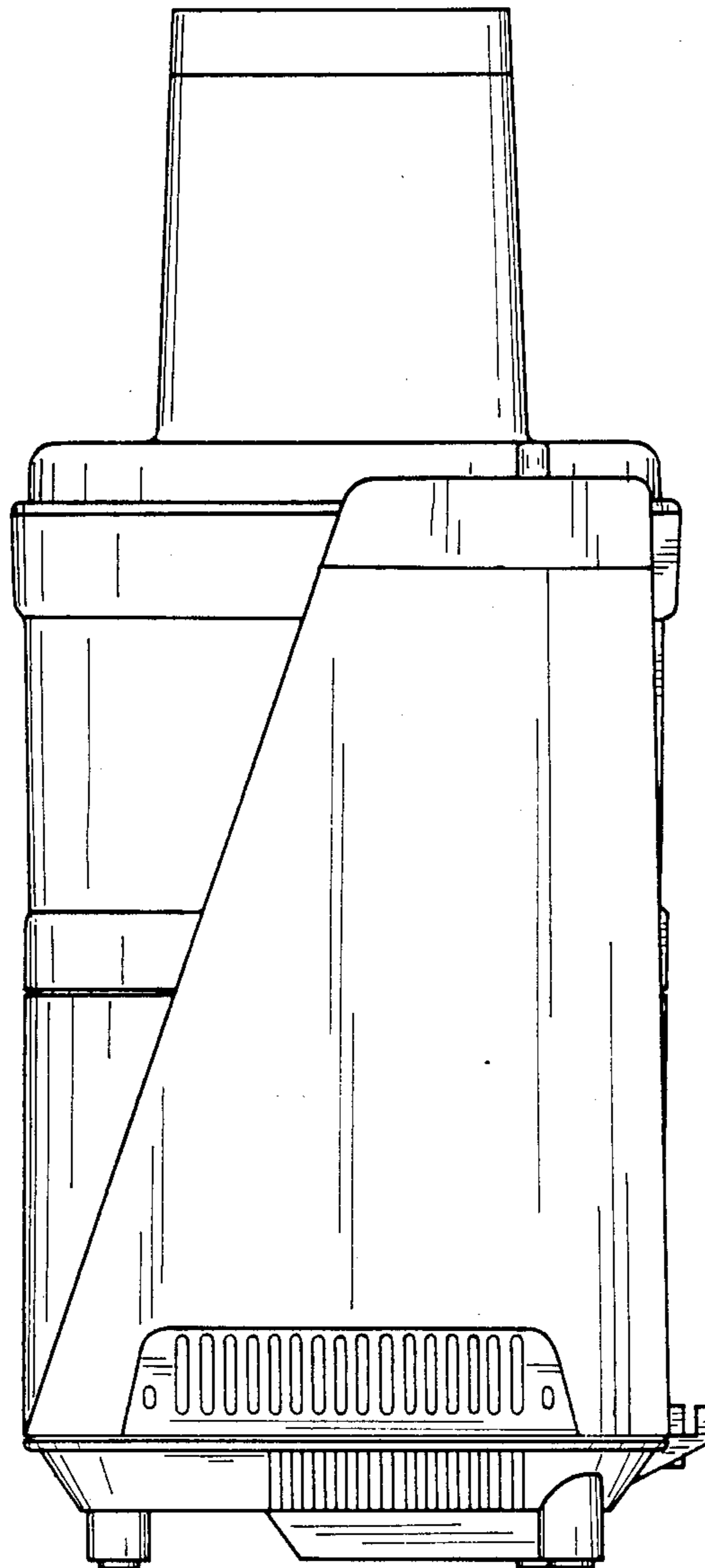


FIG. 4

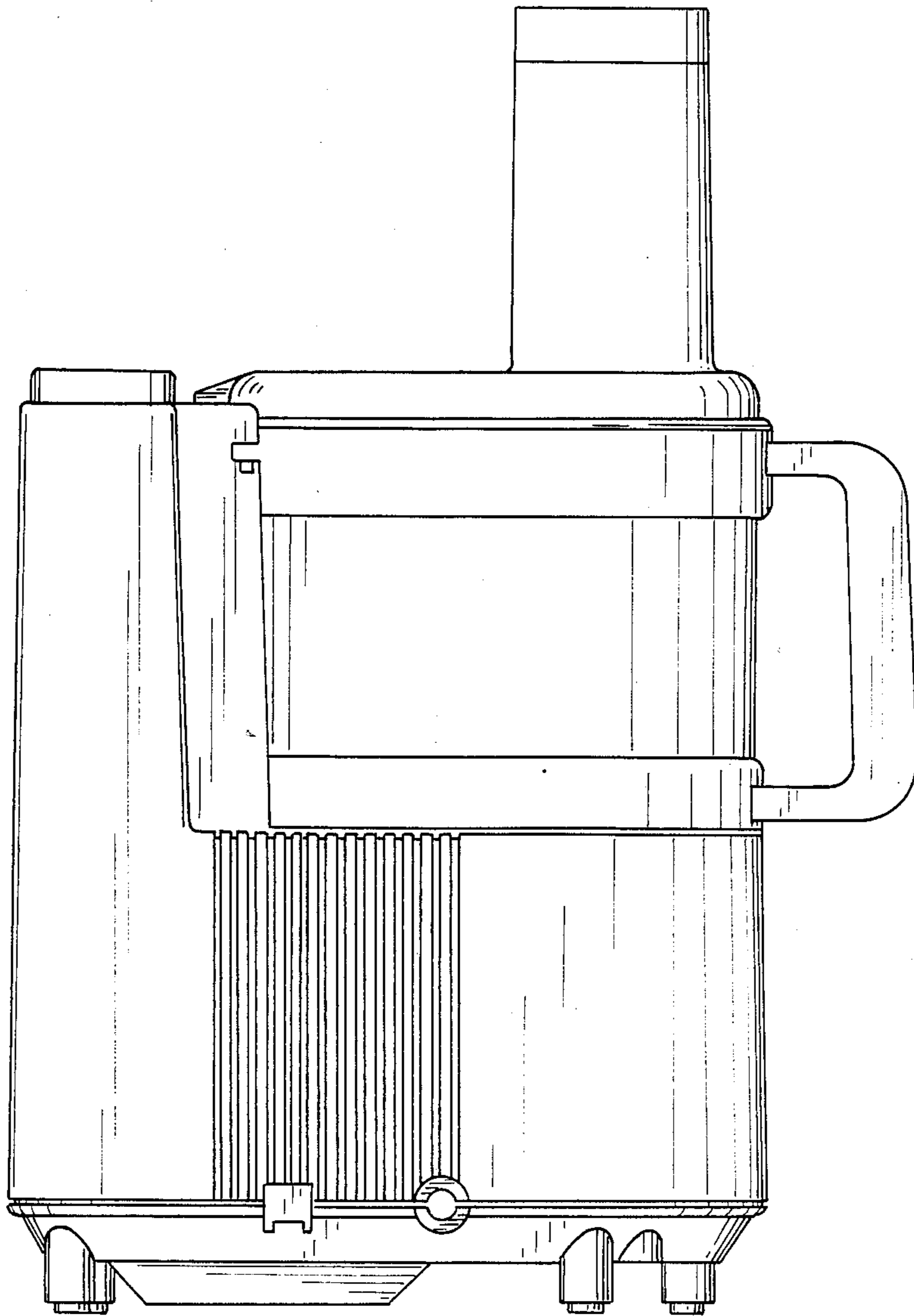


FIG. 5

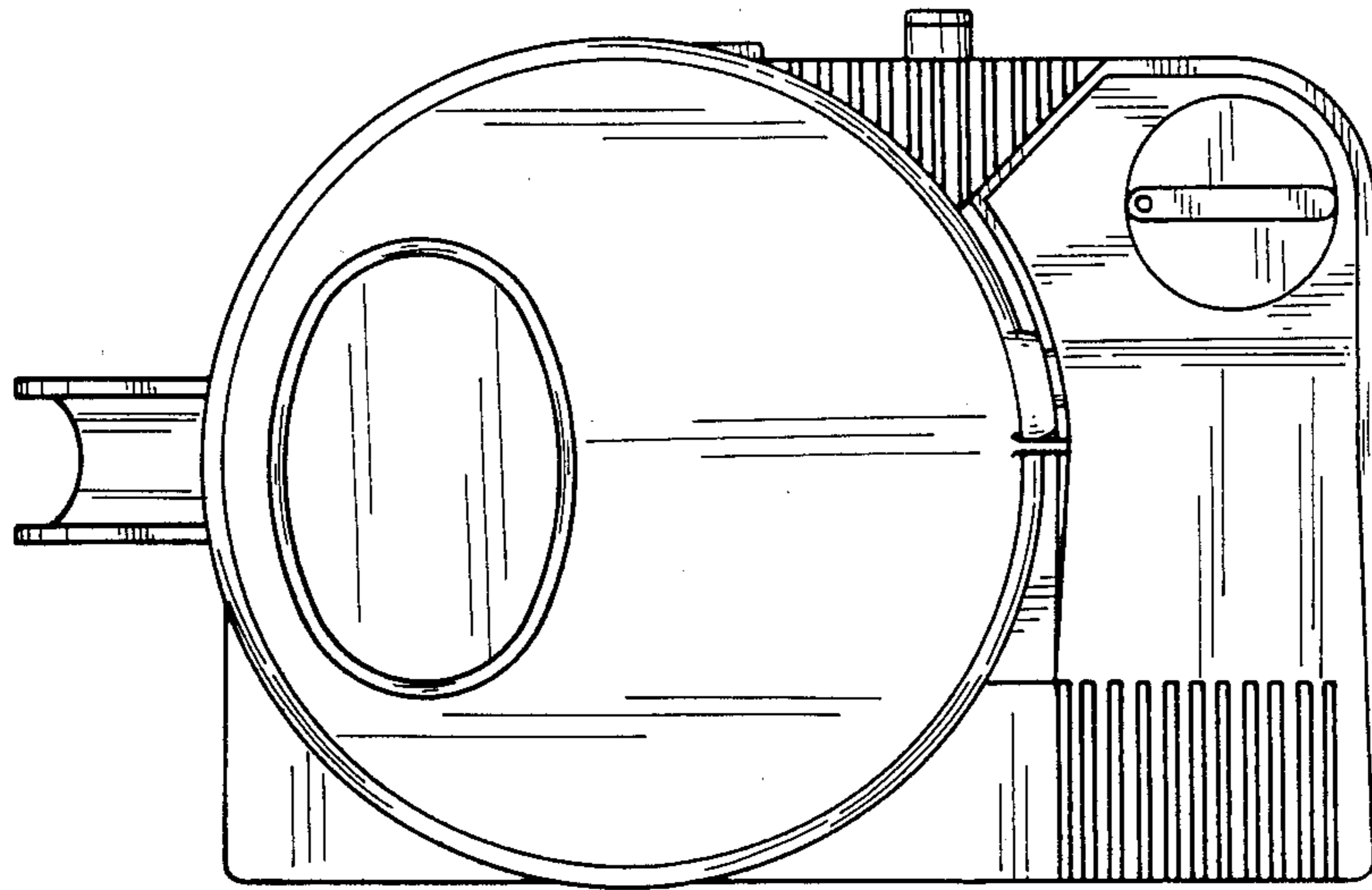


FIG. 6

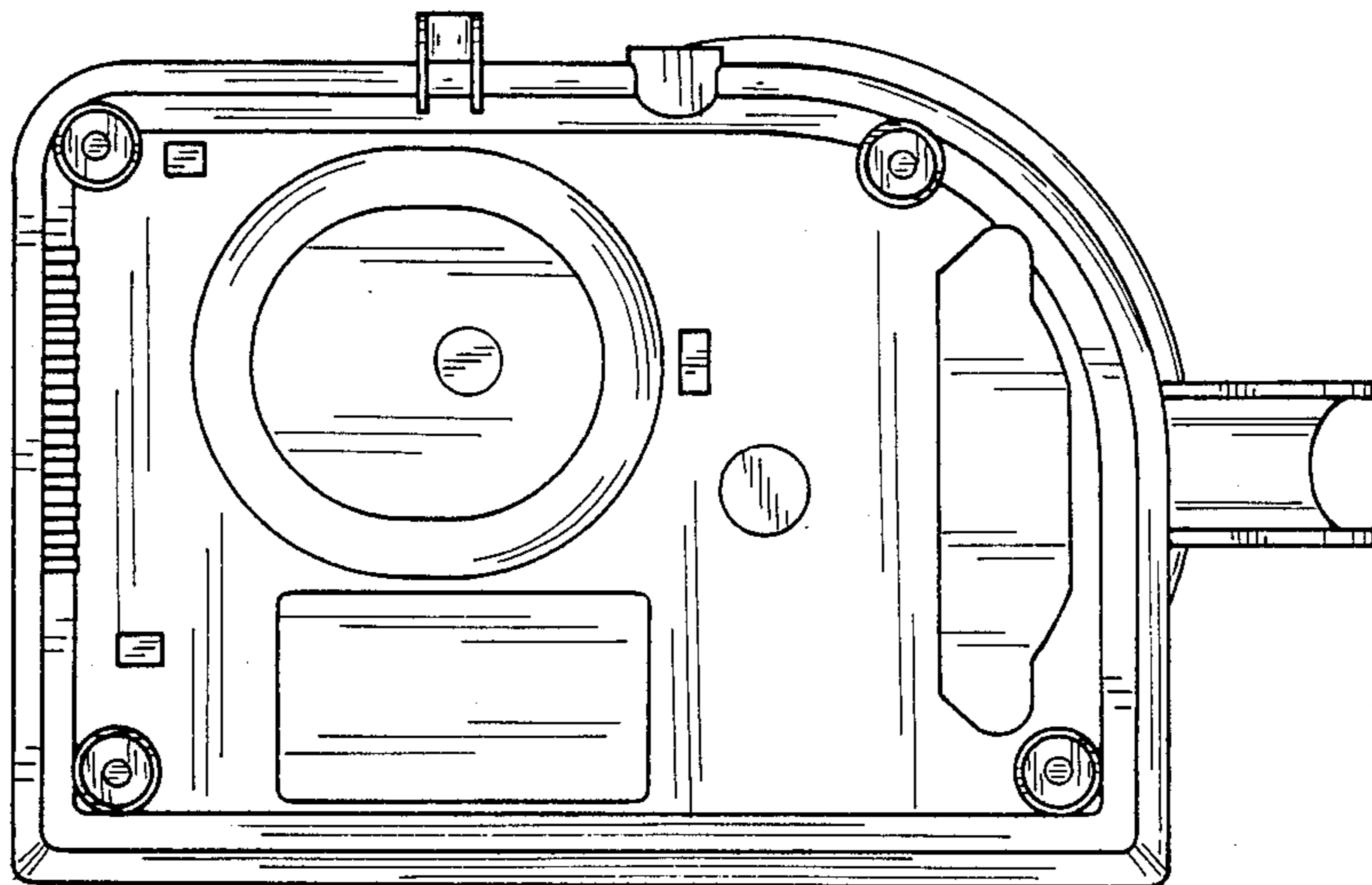


FIG. 7