

[54] TISSUE HOLDER

[75] Inventors: Michael S. Joss; Stanley T. Gresens, both of Chicago, Ill.; Richard Fraker, Griffith, Ind.

[73] Assignee: Selfix, Inc., Chicago, Ill.

[\*\*] Term: 14 Years

[21] Appl. No.: 139,946

[22] Filed: Dec. 31, 1987

[52] U.S. Cl. .... D6/524

[58] Field of Search ..... D6/512, 524, 527, 534-537, D6/540; 108/28-29, 33, 152; 211/13, 16, 70.6, 71, 86-88, 106; 248/200; 312/37

[56] References Cited

U.S. PATENT DOCUMENTS

D. 167,234	7/1952	Simpson	.....	D6/537
D. 170,097	7/1953	Simpson	.....	D6/523
D. 235,397	6/1975	Tegner	.....	D6/523
4,513,923	4/1985	Ulics	.....	242/55.2

OTHER PUBLICATIONS

- Amerock Catalogue, (1984), p. 4, No. 4352, "Wall-Mounted Soap Dish".
- Armstrong Catalogue, (1980), p. 20, "Wire Fence".
- Selfix Catalogue, (1987), p. 11, No. 2203.
- Vohann Catalogue, (p. 3), 1981, No. 992.

Primary Examiner—Wallace R. Burke

Assistant Examiner—Brian N. Vinson  
Attorney, Agent, or Firm—Dressler, Goldsmith, Shore, Sutker & Milnamow, Ltd.

[57] CLAIM

The ornamental design for a tissue holder, as shown and described.

DESCRIPTION

FIG. 1 is a perspective view of the tissue holder showing our new design;

FIG. 2 is a front elevational view thereof;

FIG. 3 is a left side elevational view thereof, the right side being a mirror image of that shown;

FIG. 4 is a top plan view thereof, the bottom being a mirror image of that shown;

FIG. 5 is a rear elevational view thereof;

FIG. 6 is a perspective view of an alternate embodiment thereof;

FIG. 7 is a front elevational view of the embodiment of FIG. 7;

FIG. 8 is a left side elevational view of the embodiment of FIG. 7, the right side being a mirror image of that shown;

FIG. 9 is a top plan view of the embodiment of FIG. 7, the bottom being a mirror image of that shown; and

FIG. 10 is a rear elevational view of the embodiment of FIG. 7.

The broken-line showing of the frame insert in FIG. 1 is for illustrative purposes only and forms no part of the claimed design.

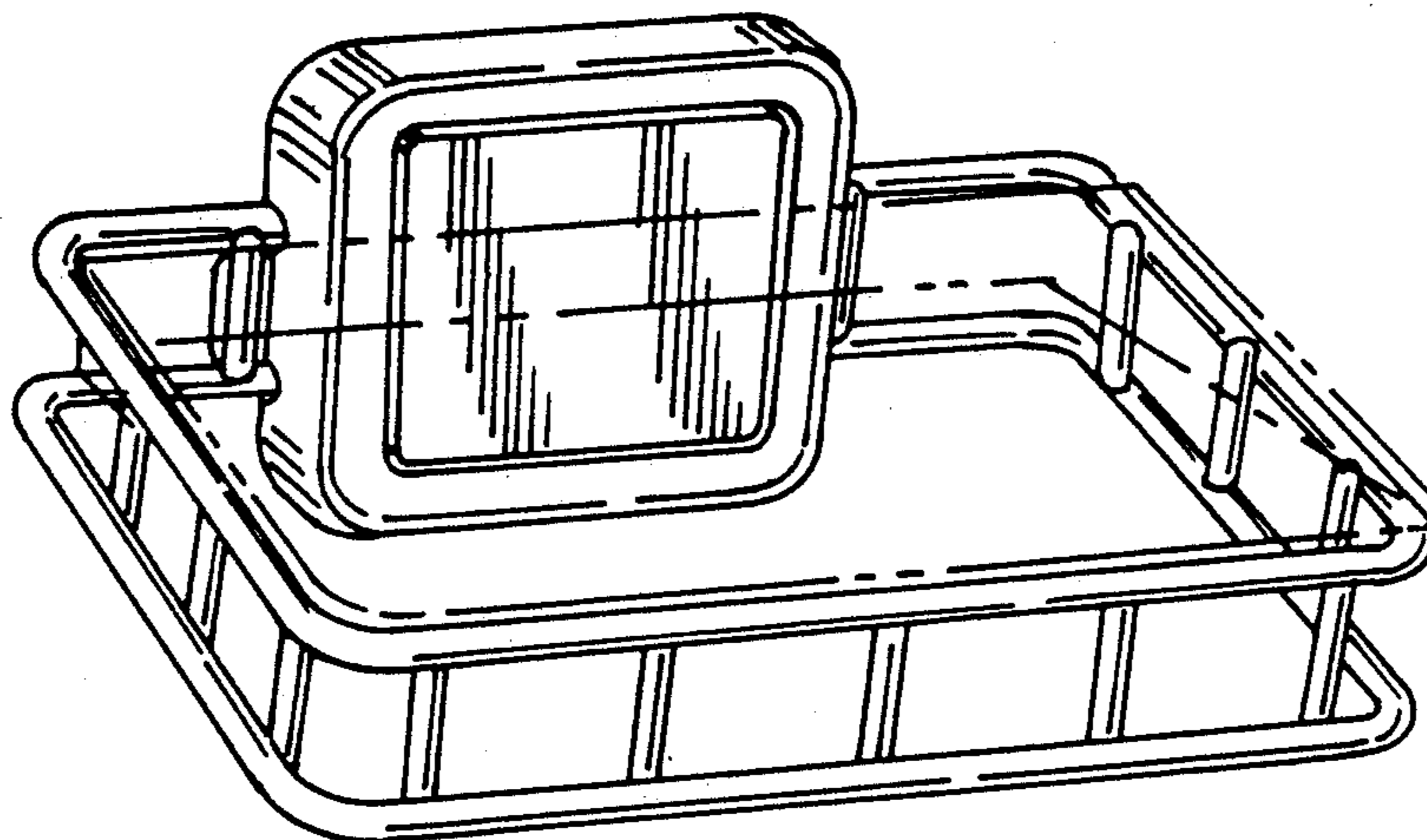


FIG. 1.

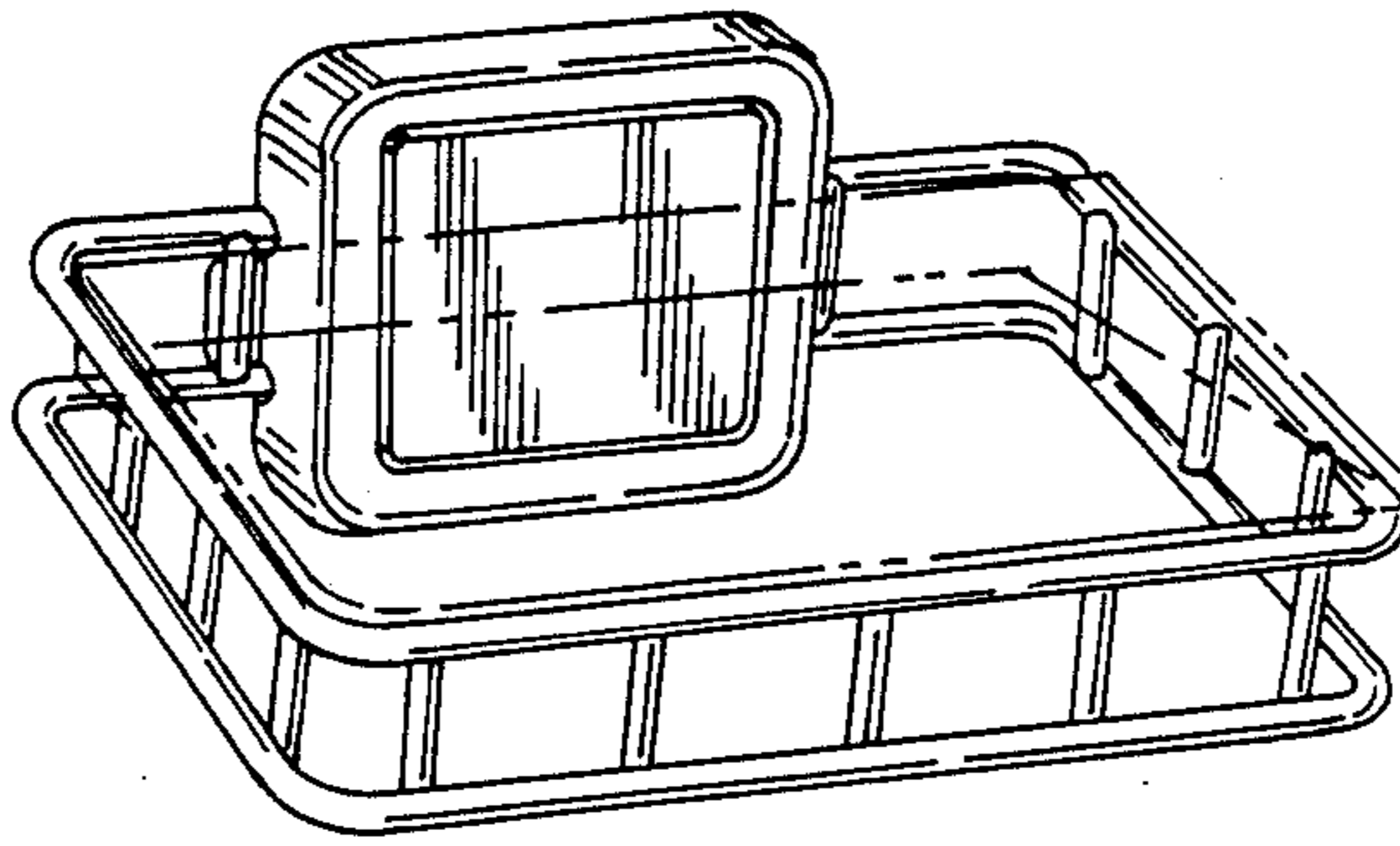


FIG. 2.

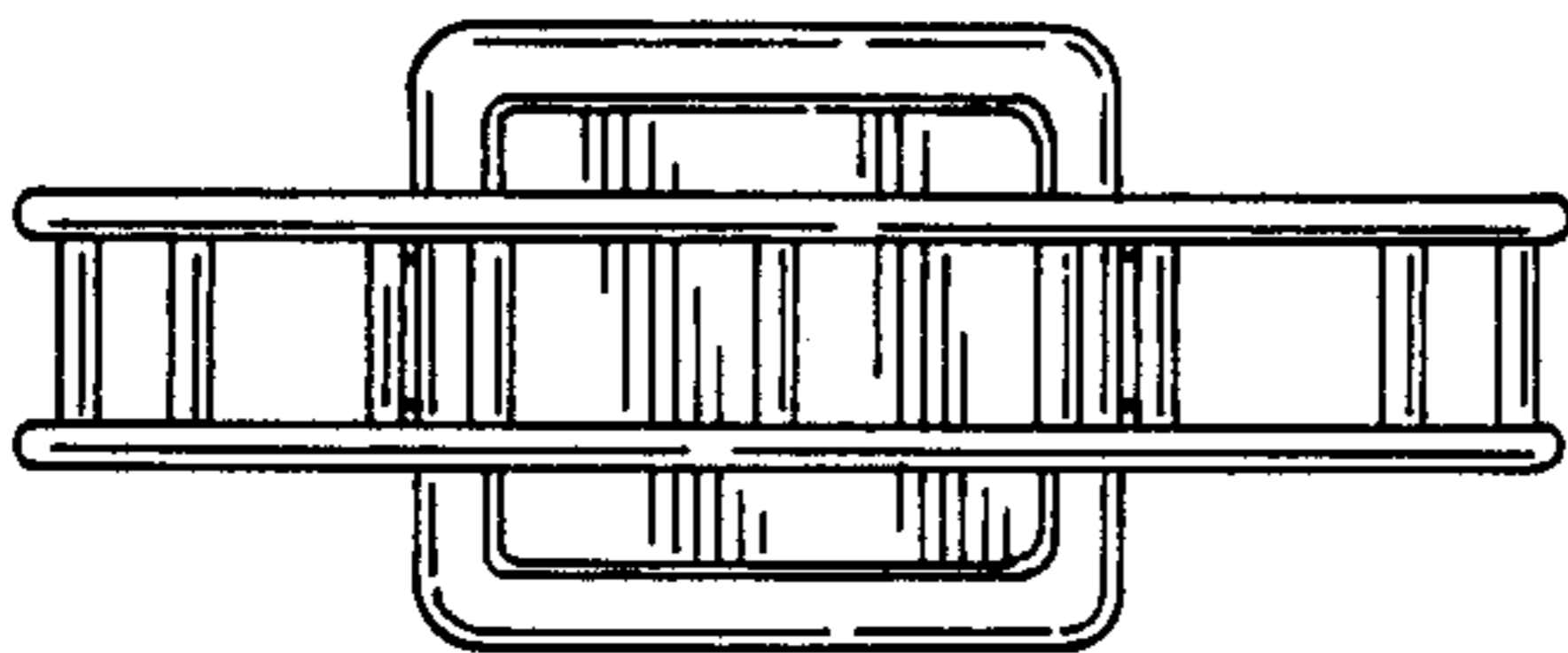


FIG. 3.

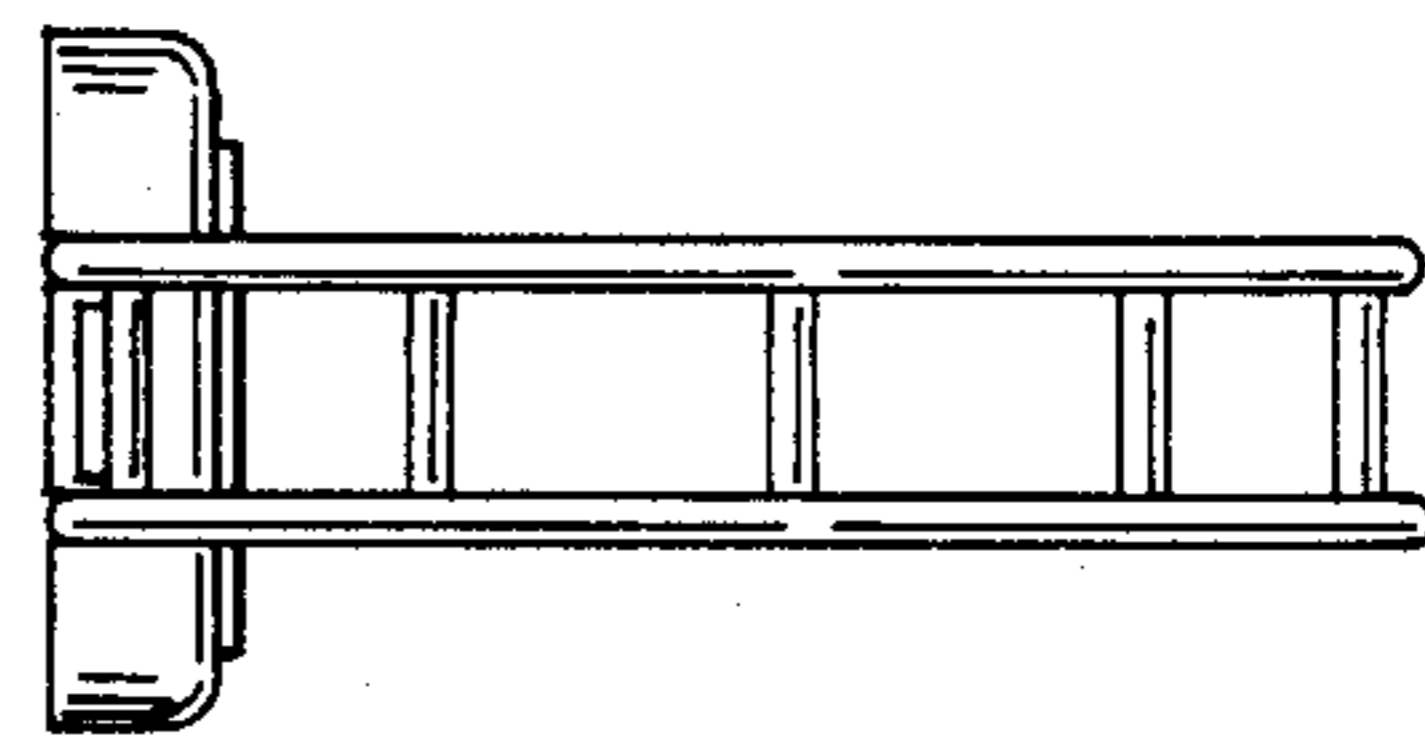


FIG. 4.

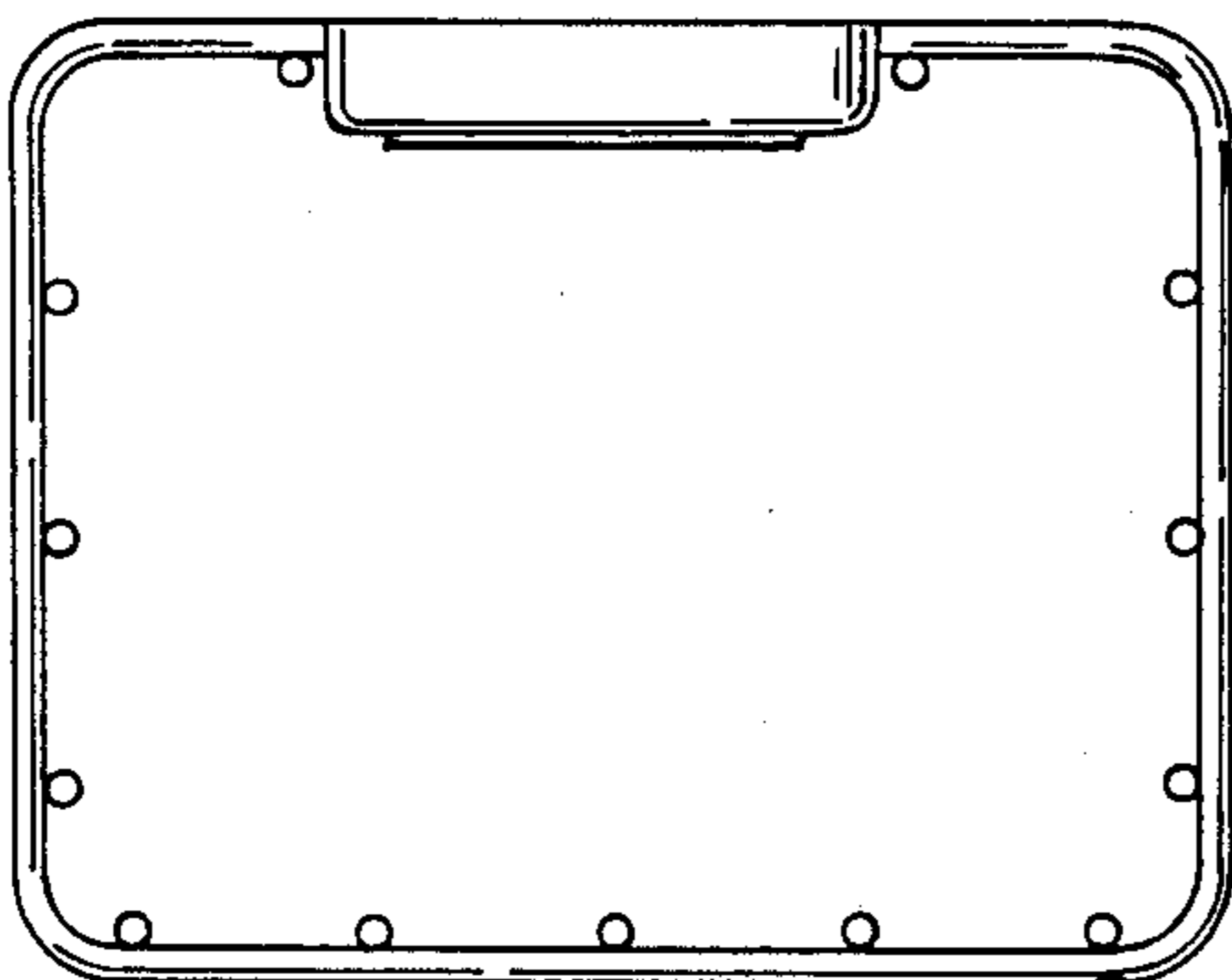


FIG. 5.

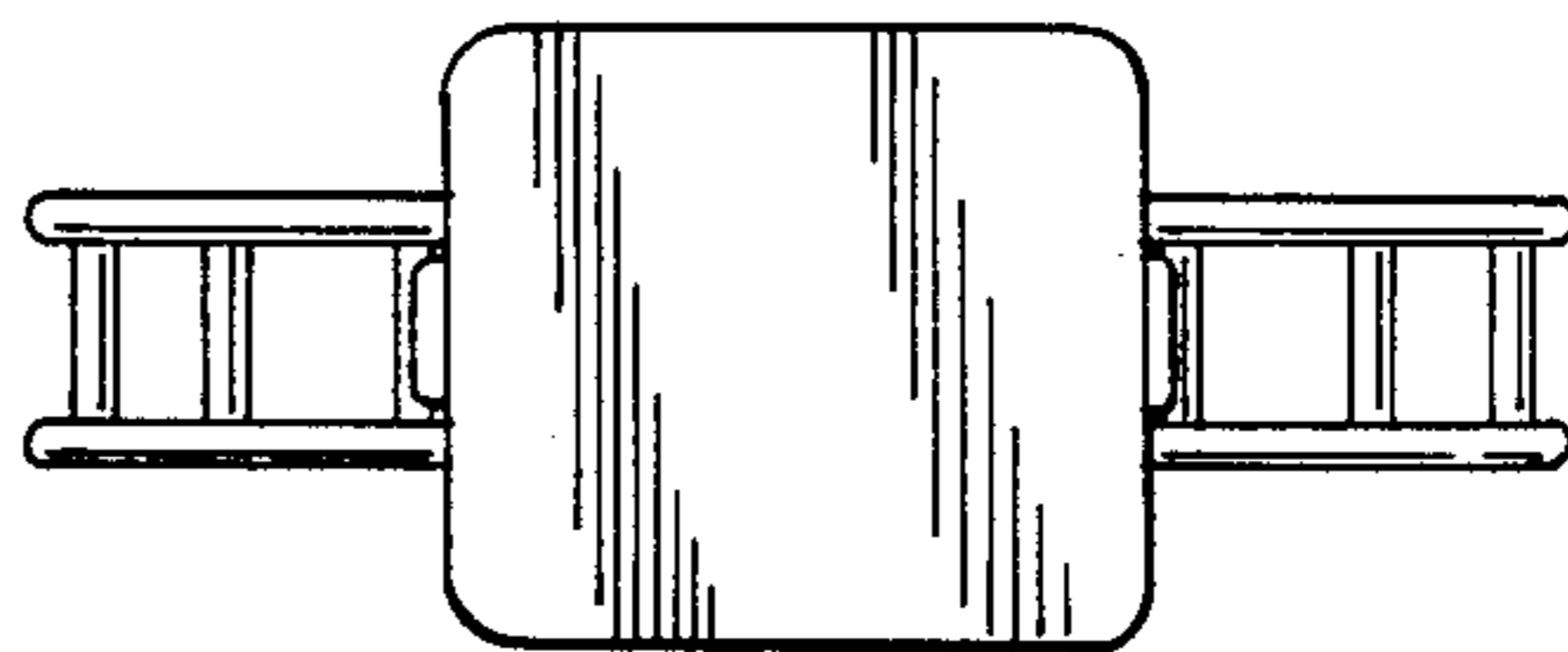


FIG-6-

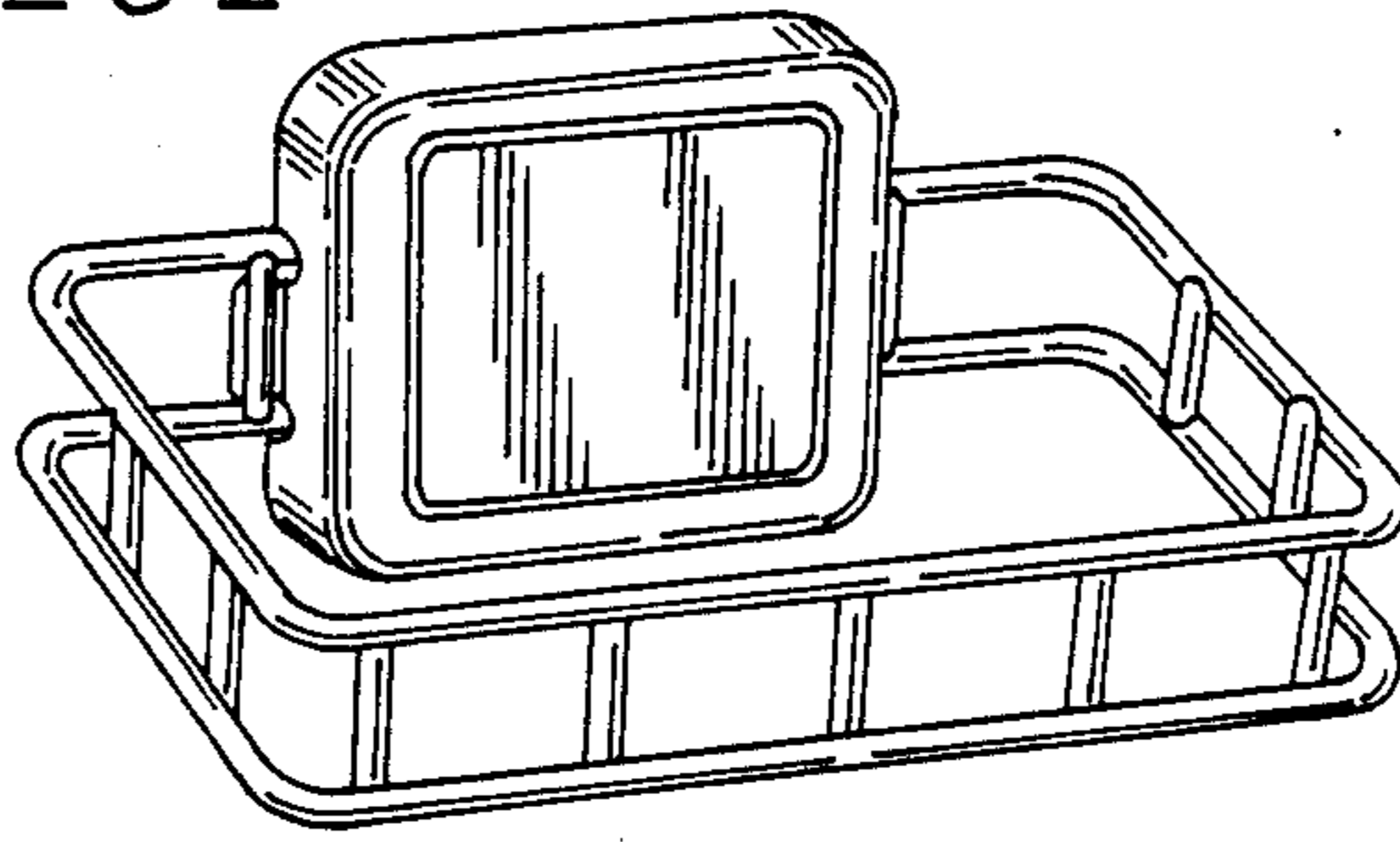


FIG-7-

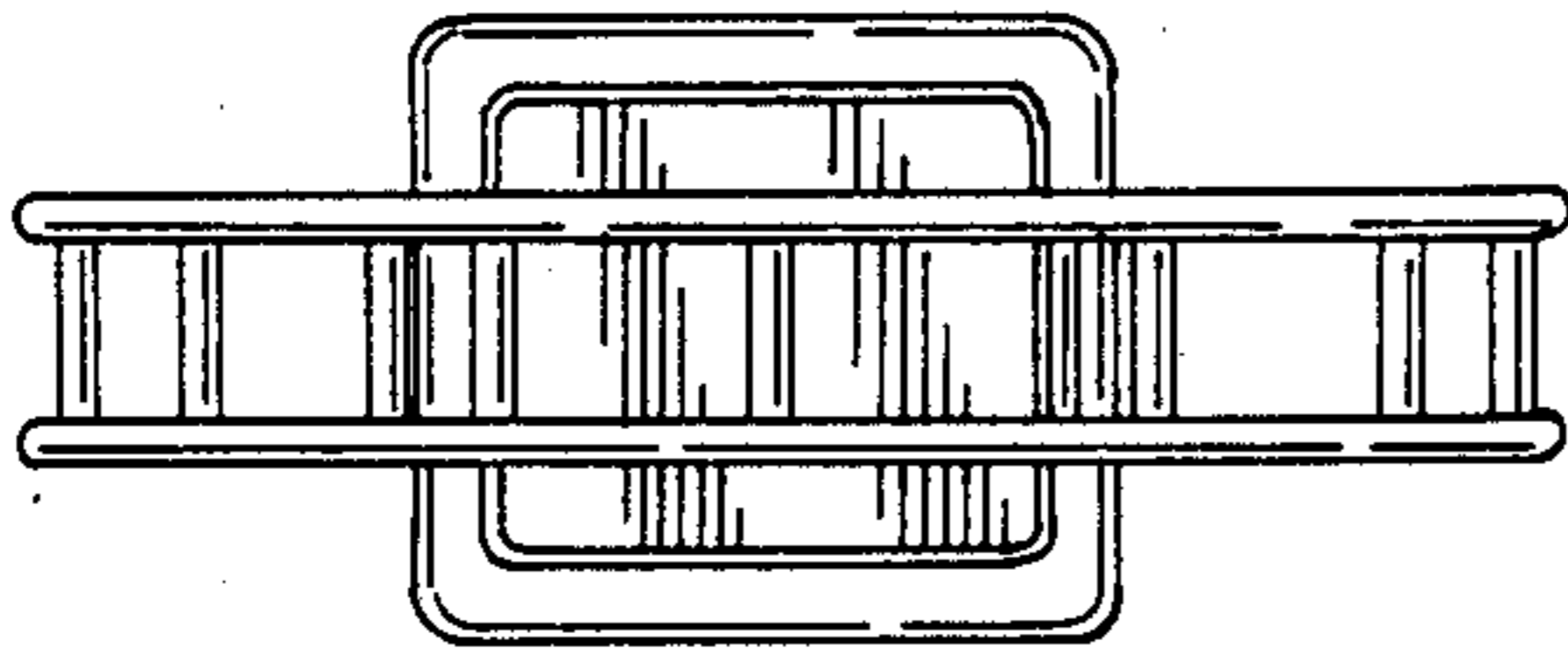


FIG-8-

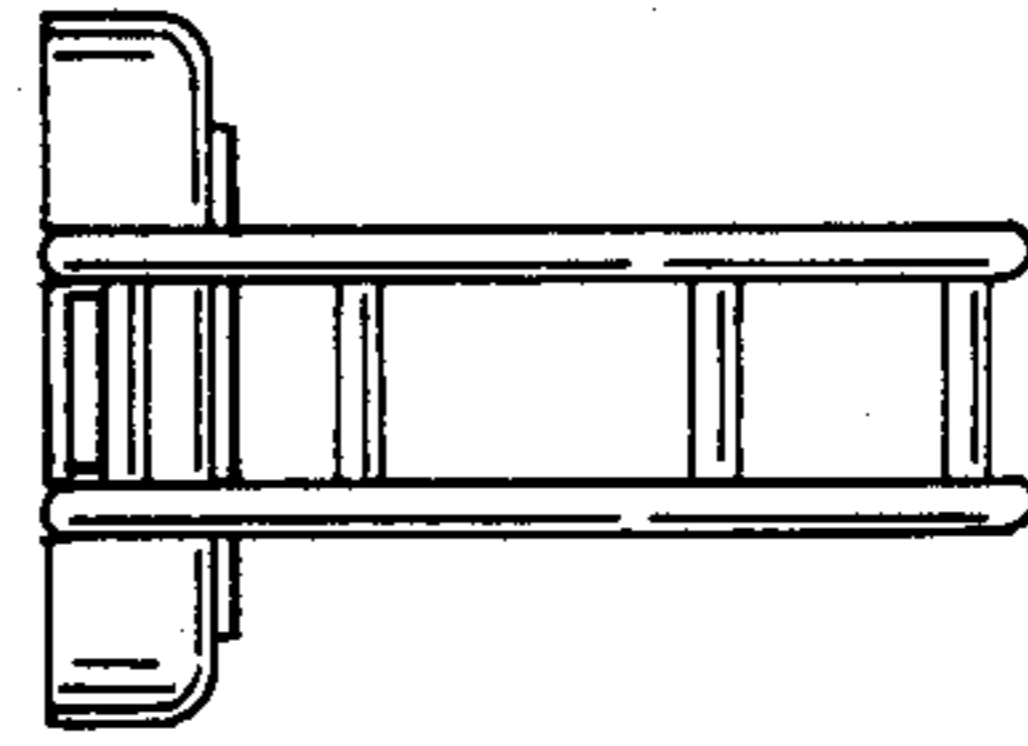


FIG-9-

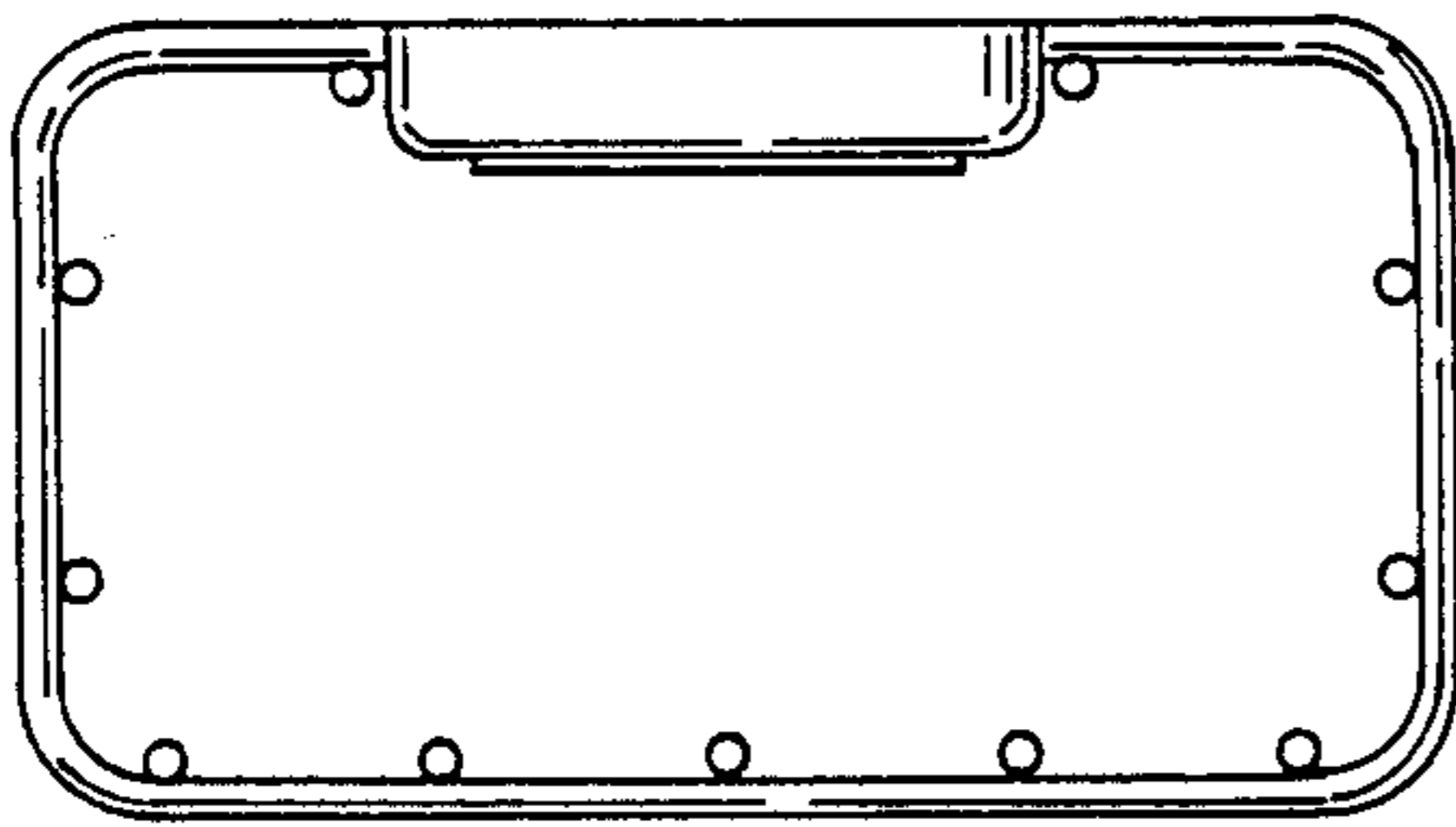
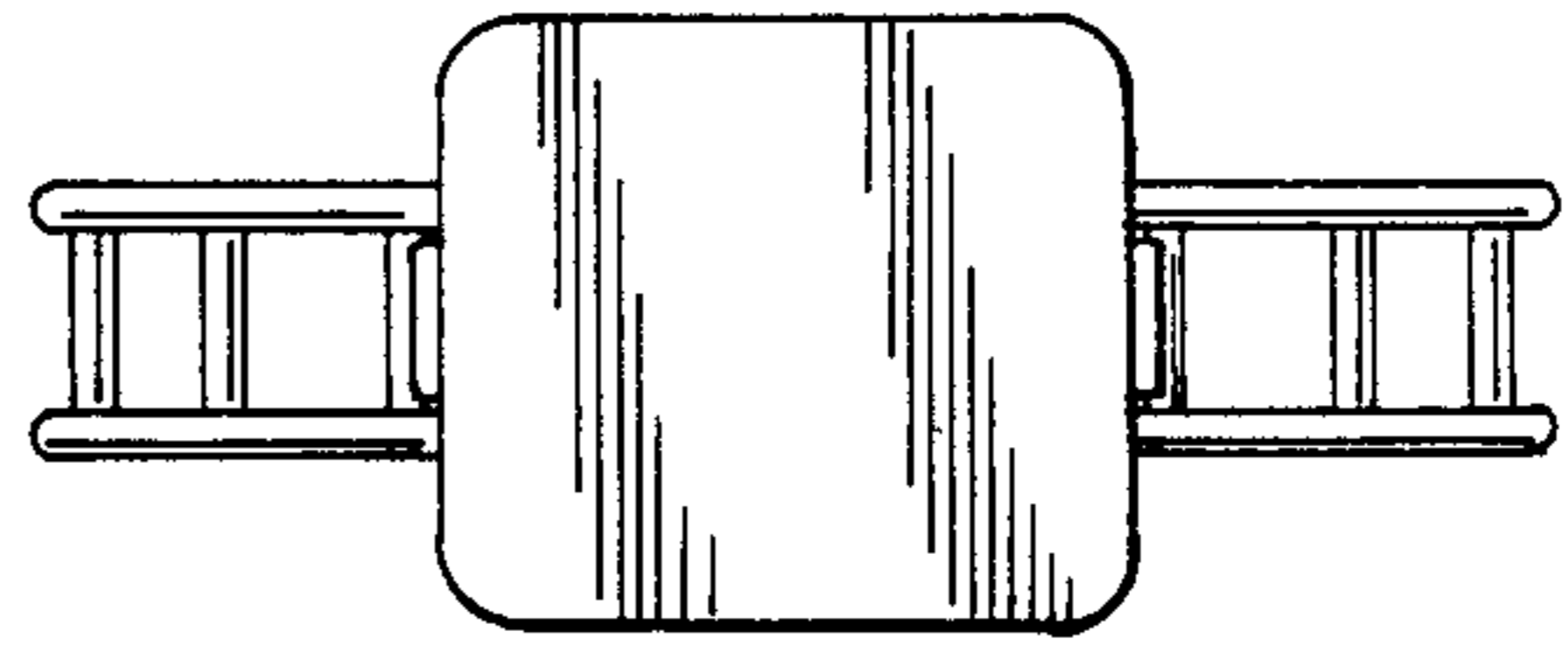


FIG-10-



UNITED STATES PATENT AND TRADEMARK OFFICE  
**CERTIFICATE OF CORRECTION**

PATENT NO. : Des. 302,223

DATED : July 18, 1989

INVENTOR(S) : Michael S. Joss; Stanley T. Gresens; Richard Fraker

It is certified that error appears in the above-identified patent and that said Letters Patent is hereby corrected as shown below:

Change the title from "TISSUE HOLDER" to --BATHROOM FRAME FIXTURE--.

In the Claim, change "tissue holder" to --bathroom frame fixture--.

In the description of Fig. 1, change "tissue holder" to --bathroom frame fixture--.

In the description of Fig. 7, change "7" [second occurrence] to --6--.

In the description of Fig. 8, change "7" to --6--.

In the description of Fig. 9, change "7" to --6--.

In the description of Fig. 10, change "7" to --6--.

**Signed and Sealed this  
Twenty-ninth Day of January, 1991**

*Attest:*

HARRY F. MANBECK, JR.

*Attesting Officer*

*Commissioner of Patents and Trademarks*