

[54] TISSUE HOLDER

[75] Inventors: Michael S. Joss; Stanley T. Gresens, both of Chicago, Ill.; Richard Fraker, Griffith, Ind.

[73] Assignee: Selfix, Inc., Chicago, Ill.

[\*\*] Term: 14 Years

[21] Appl. No.: 139,945

[22] Filed: Dec. 31, 1987

[52] U.S. Cl. .... D6/523

[58] Field of Search ..... D6/512, 524, 515, 518, D6/523; 211/16, 87; 242/55.2

[56] References Cited

U.S. PATENT DOCUMENTS

D. 167,234	7/1952	Simpson .....	D6/537
D. 235,397	6/1975	Tegner et al. ....	D6/523
D. 291,518	8/1987	Chap .....	D6/523
2,561,972	7/1951	Cederberg .....	242/55.2
4,513,923	4/1985	Ulics .....	242/55.2

OTHER PUBLICATIONS

Amerock Catalogue, (1984), p. 4, No. 4352, "Wall-Mounted Soap Dish".

Armstrong Catalogue, (1980), p. 20, "Wire Fence".

Selfix Catalogue, (1987), p. 11, No. 2203.

Vohann Catalogue, (1981), p. 3, No. 992.

Primary Examiner—Wallace R. Burke

Assistant Examiner—Brian N. Vinson

Attorney, Agent, or Firm—Dressler, Goldsmith, Shore, Sutker & Milnamow, Ltd.

[57] CLAIM

The ornamental design for tissue holder, as shown and described.

DESCRIPTION

FIG. 1 is a perspective view of the tissue holder showing our new design;

FIG. 2 is a front elevational view thereof;

FIG. 3 is a left side elevational view thereof, the right side being a mirror image of that shown;

FIG. 4 is a top plan view thereof, the bottom being a mirror image of that shown; and

FIG. 5 is a rear elevational view thereof.

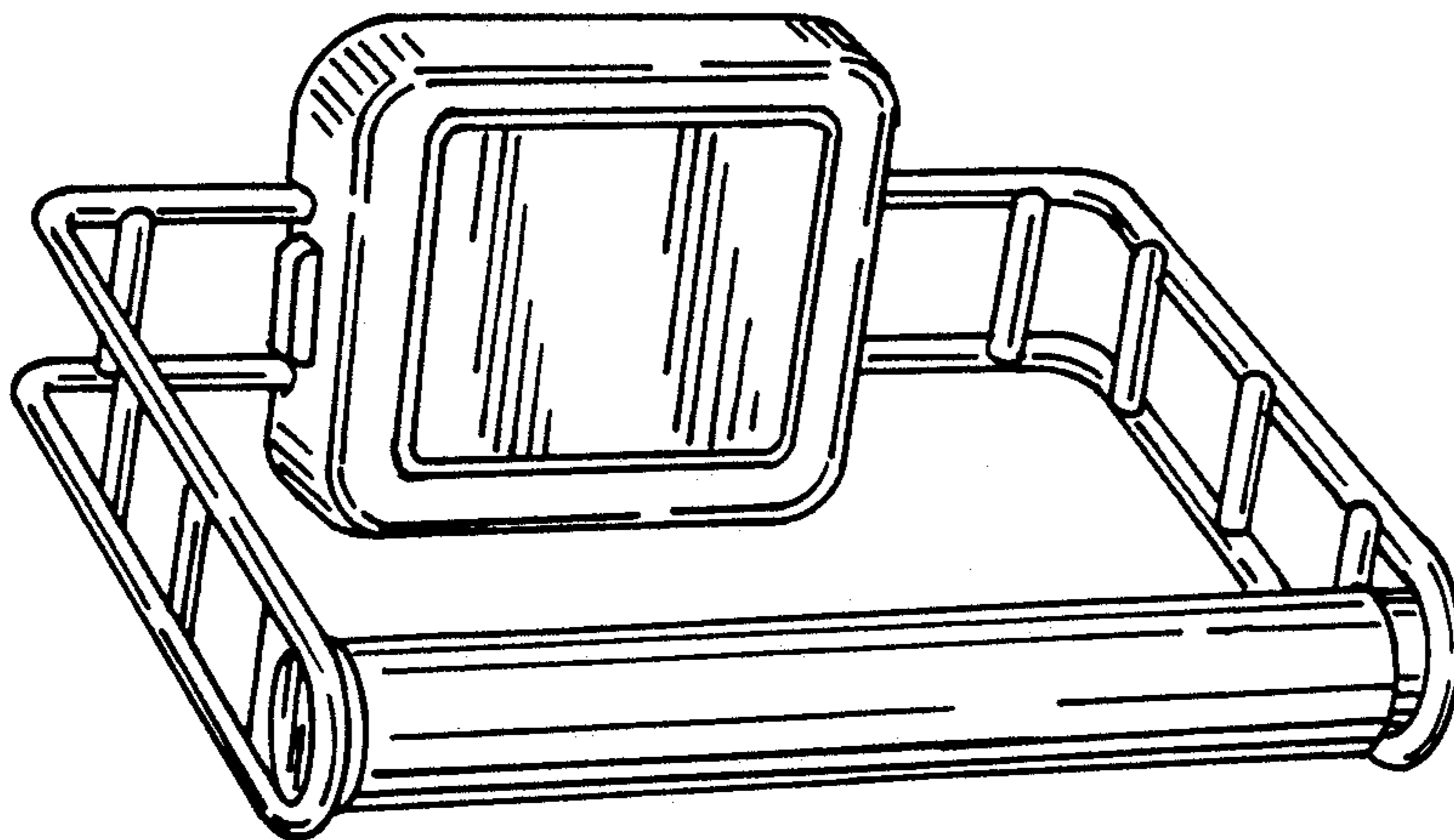


FIG. 1.

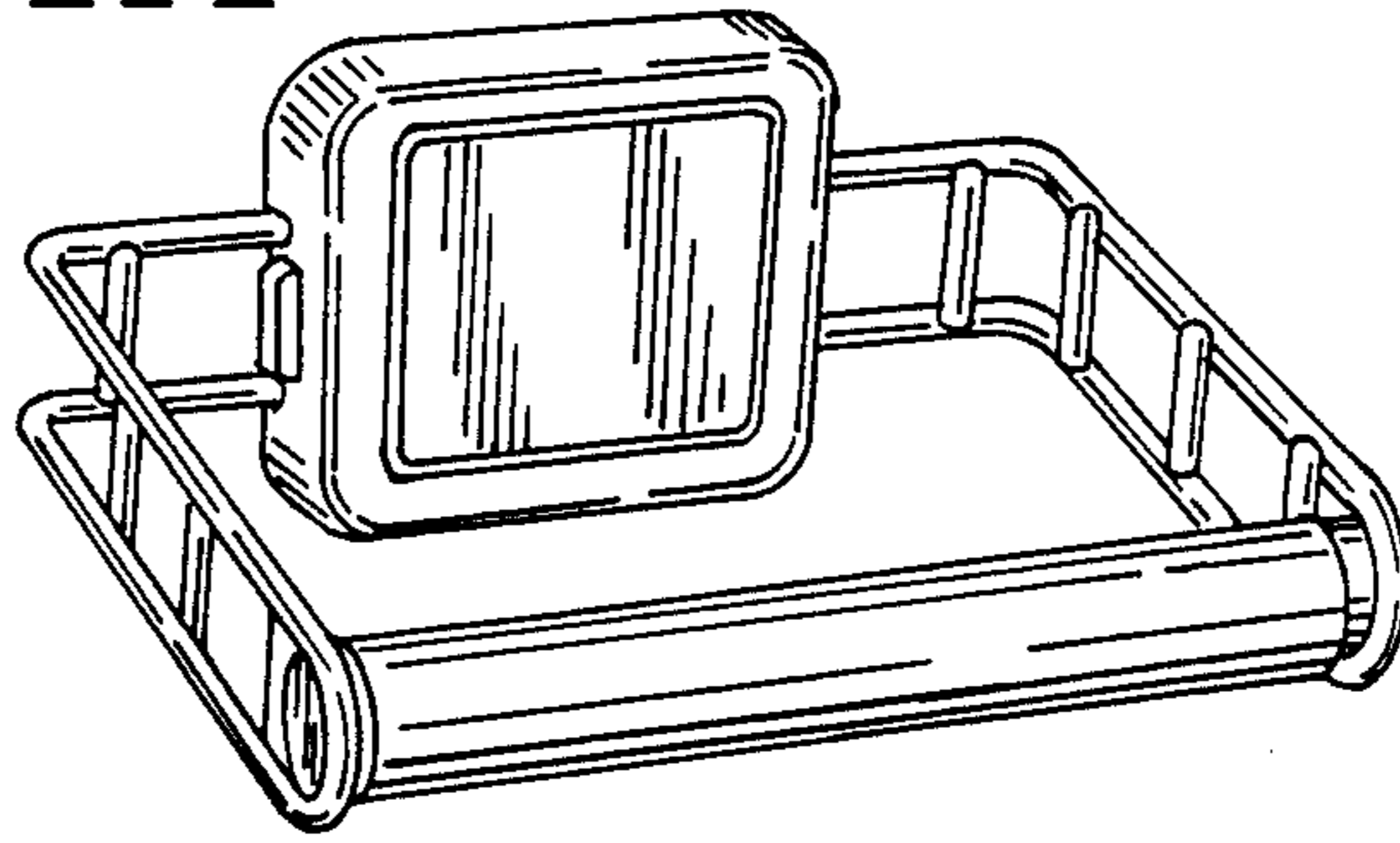


FIG. 2.

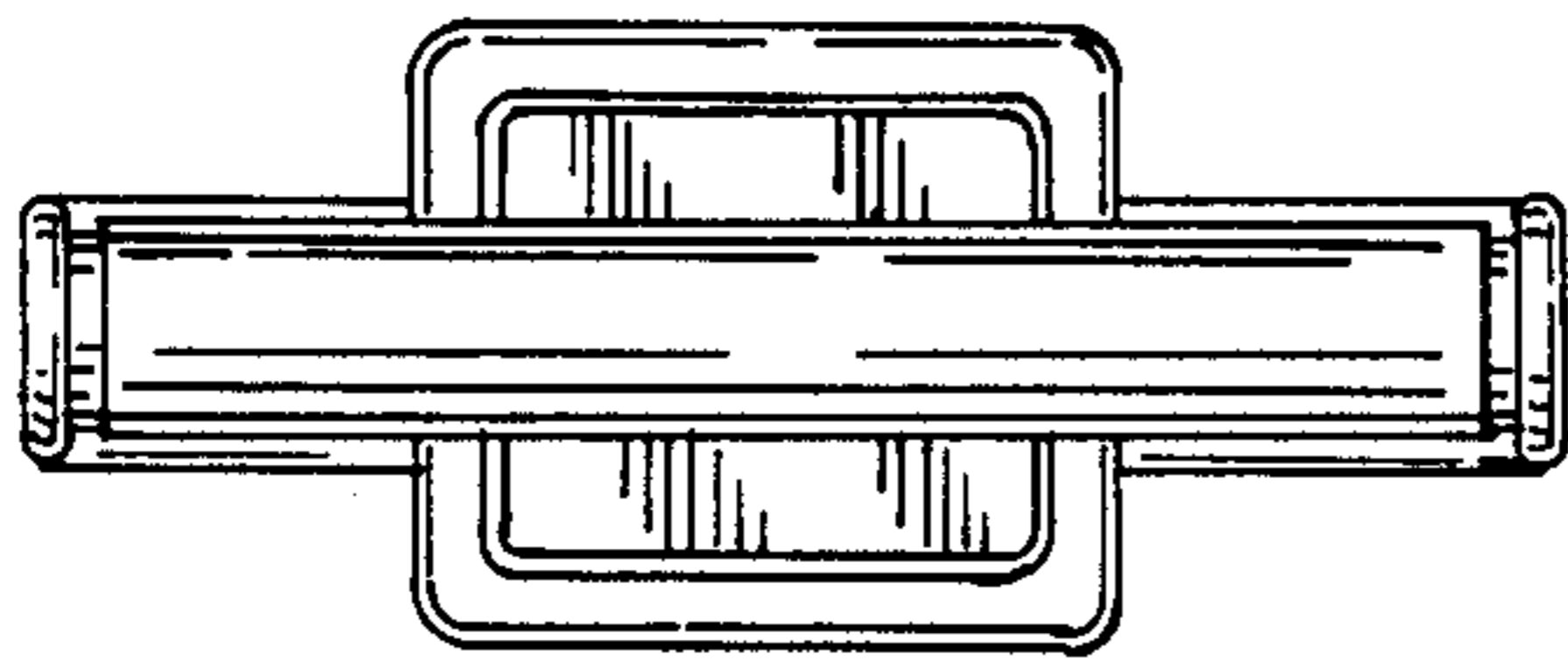


FIG. 3.

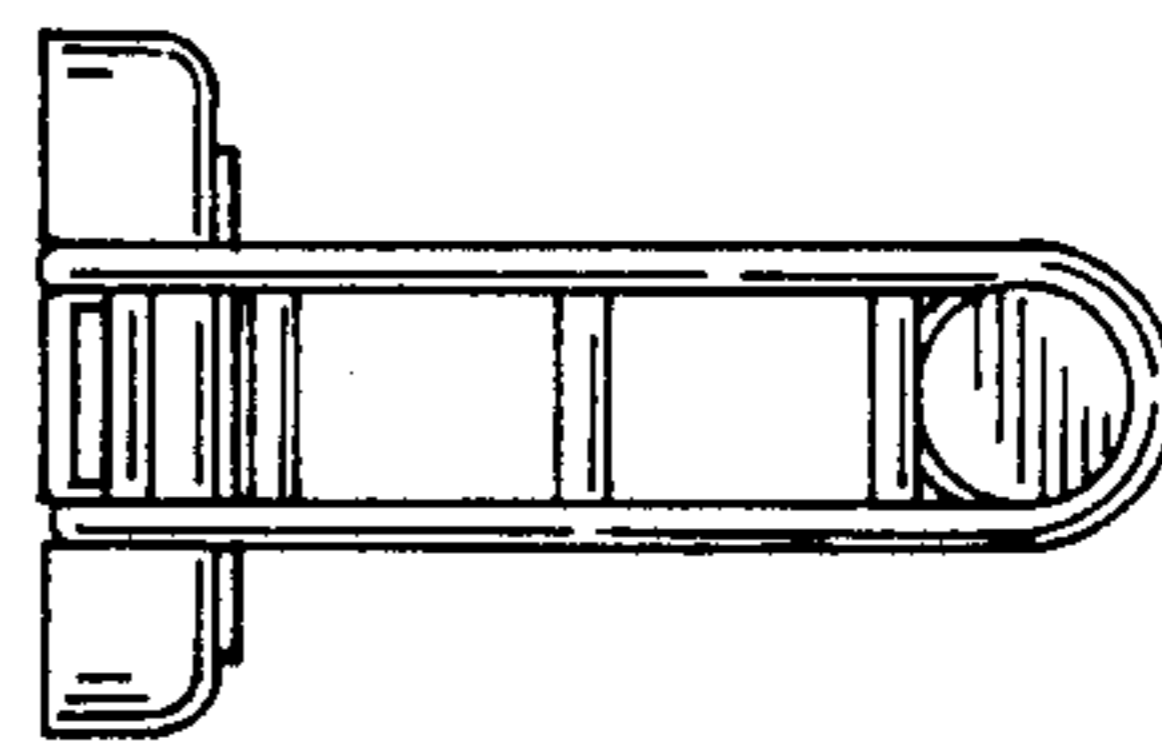


FIG. 4.

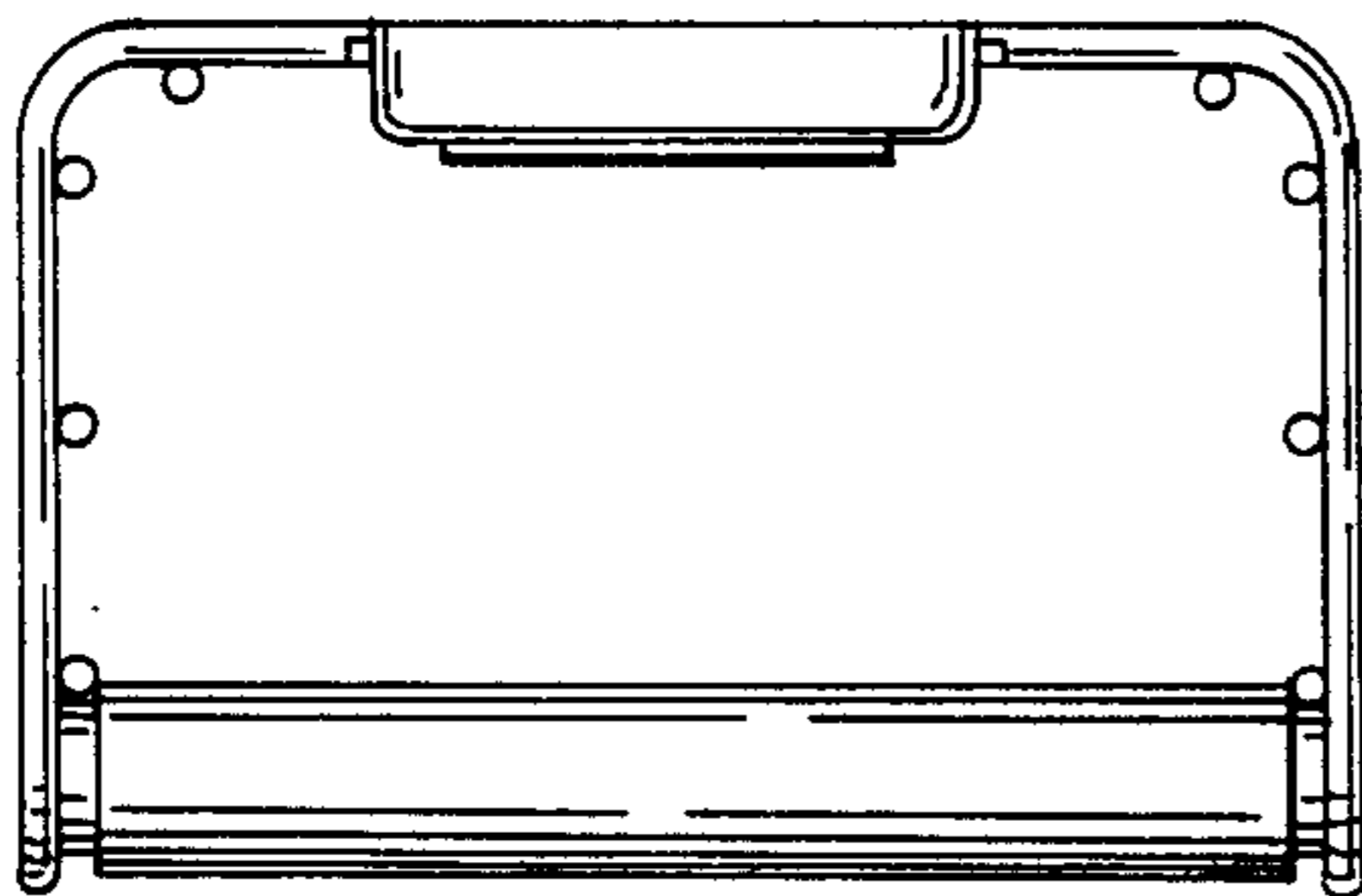


FIG. 5.

