

[54] BASE TRAY FOR AN ESPRESSO MACHINE
AND A COFFEE MILL

[75] Inventor: Alberto Pandolfi, Milan, Italy

[73] Assignee: Brevetti Gaggia S.p.A., Milan, Italy

[**] Term: 14 Years

[21] Appl. No.: 876,335

[22] Filed: Jun. 19, 1986

[30] Foreign Application Priority Data

Dec. 20, 1985 [IT] Italy 54267/85[U]

[52] U.S. Cl. D6/467; D7/38;
D7/388; D7/397; D7/403

[58] Field of Search D7/38, 37, 46, 70, 1,
D7/387, 388, 397, 403, 412; D9/341, 347;
D6/511, 474, 475, 449, 467, 449; D19/75, 87,
86, 92; D18/12

[56] References Cited

U.S. PATENT DOCUMENTS

D. 22,290 3/1893 Burnworth D9/347
D. 164,157 8/1951 Chrzanowski D19/87 X
D. 196,376 9/1963 Hines D7/397
D. 254,944 5/1980 Lee et al. D6/467

Primary Examiner—Winifred E. Herrmann
Attorney, Agent, or Firm—D. Peter Hochberg; Mark M.
Kusner; Louis J. Weisz

[57] CLAIM

The ornamental design for a base tray for an espresso machine and a coffee mill, as shown and described.

DESCRIPTION

FIG. 1 is a top, front, and left side perspective view of a base tray for an espresso machine and a coffee mill showing my new design;
FIG. 2 is a front elevational view thereof;
FIG. 3 is a top plan view thereof;
FIG. 4 is a bottom plan view thereof;
FIG. 5 is a left side elevational view thereof, the side opposite is a mirror image; and
FIG. 6 is a rear elevational view thereof.

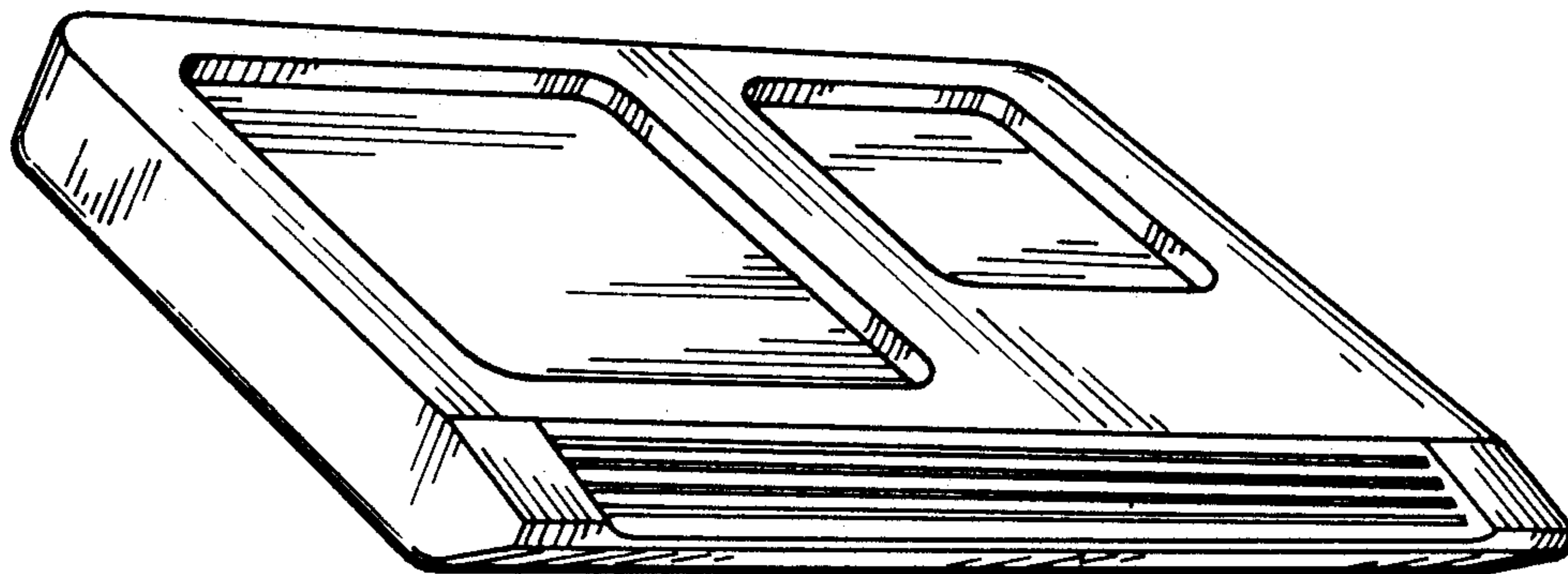


FIG. 1

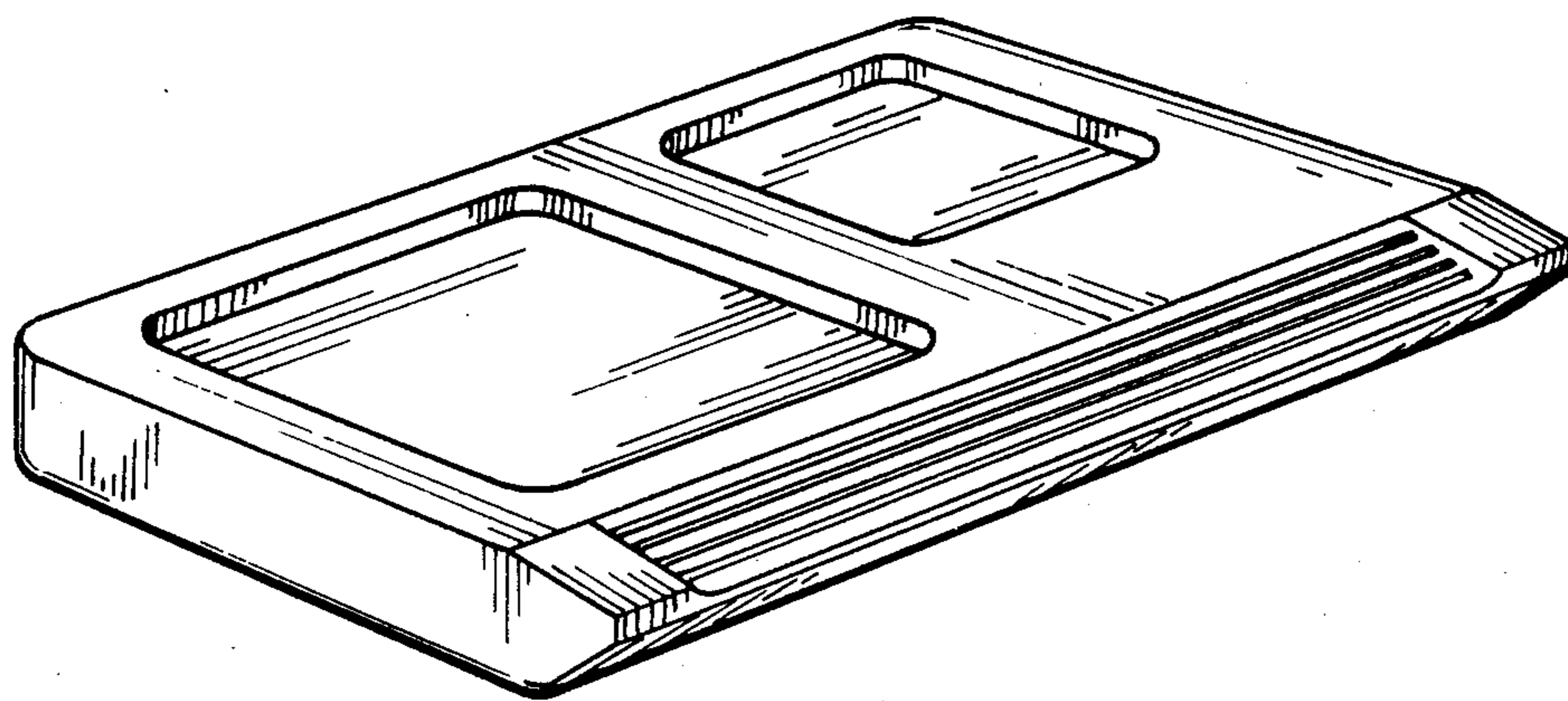


FIG. 2

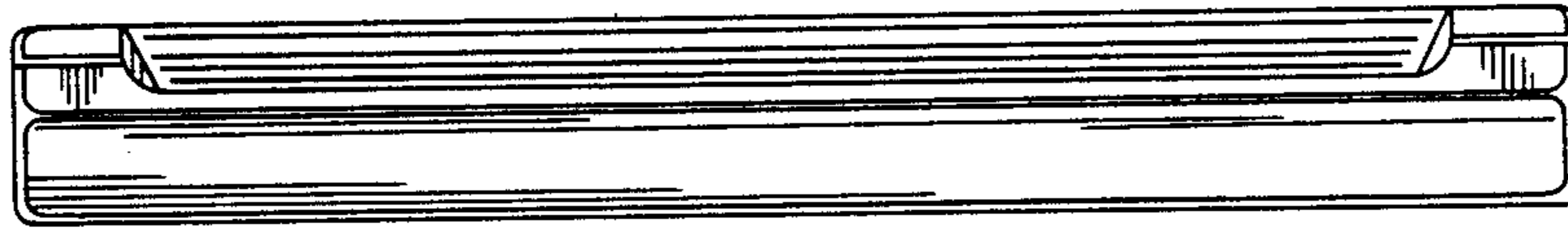


FIG. 3

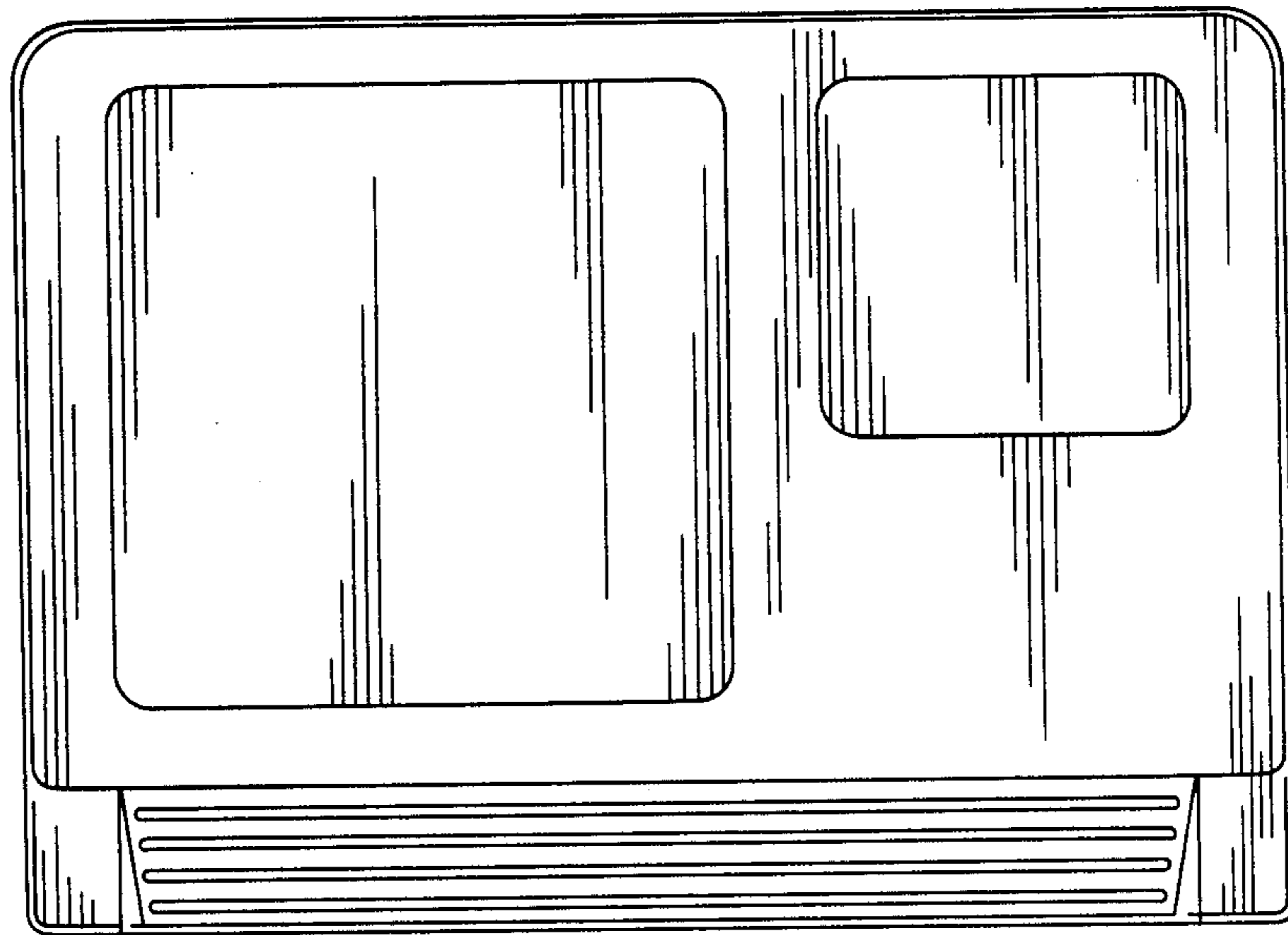


FIG. 4

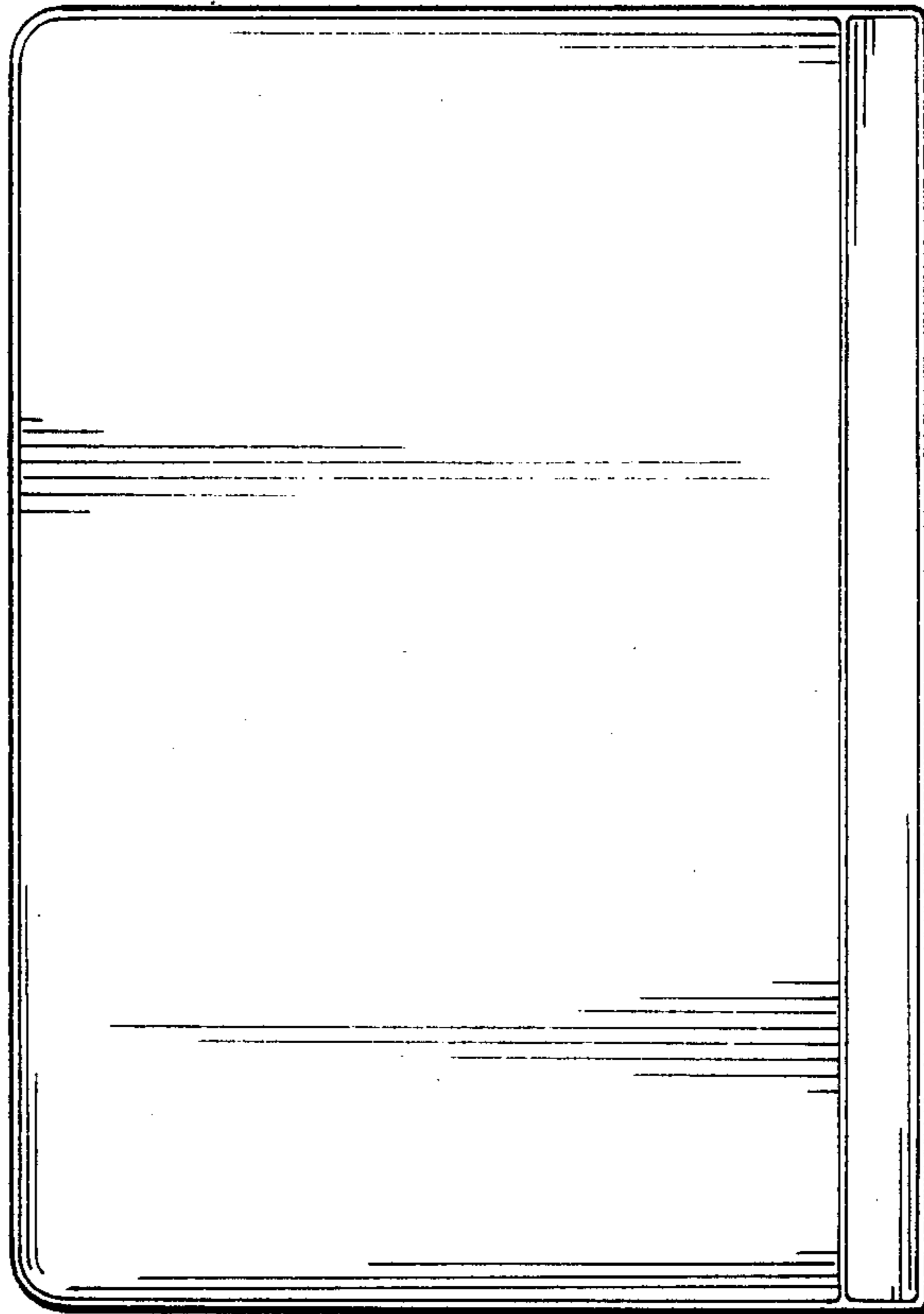


FIG. 5



FIG. 6

