

[54] **WALL HUNG CLOTHES HANGER**
[76] **Inventor: Amy M. Motazedi, 1016 W. Walnut St., Brownstown, Ind. 47220**
[**] **Term: 14 Years**
[21] **Appl. No.: 880,504**
[22] **Filed: Jun. 30, 1986**
[52] **U.S. Cl. D6/316; D6/320; D6/564; D6/569; D21/159**
[58] **Field of Search D6/316, 320, 512, 553, D6/563, 564, 569; D11/154, 158; D21/154, 159; 211/13, 32, 87**

D. 132,511 5/1942 Swedlin D21/159
D. 148,738 2/1948 Wild D6/563
D. 164,956 10/1951 Price D6/316
D. 275,248 8/1984 Parker D6/316
D. 286,358 10/1986 Thomas D21/159
3,938,667 2/1976 Buckland 211/87

Primary Examiner—B. J. Bullock
Assistant Examiner—Dominic Simone
Attorney, Agent, or Firm—Neal J. Mosely

[57] **CLAIM**

The ornamental design for a wall hung clothes hanger, as shown.

DESCRIPTION

FIG. 1 is a front perspective view of a wall hung clothes hanger, showing my new design;
FIG. 2 is a rear perspective view thereof, and
FIG. 3 is side elevation thereof.

[56] **References Cited**
U.S. PATENT DOCUMENTS
D. 65,195 7/1924 Jones D21/154
D. 98,540 2/1936 Meyer D6/563

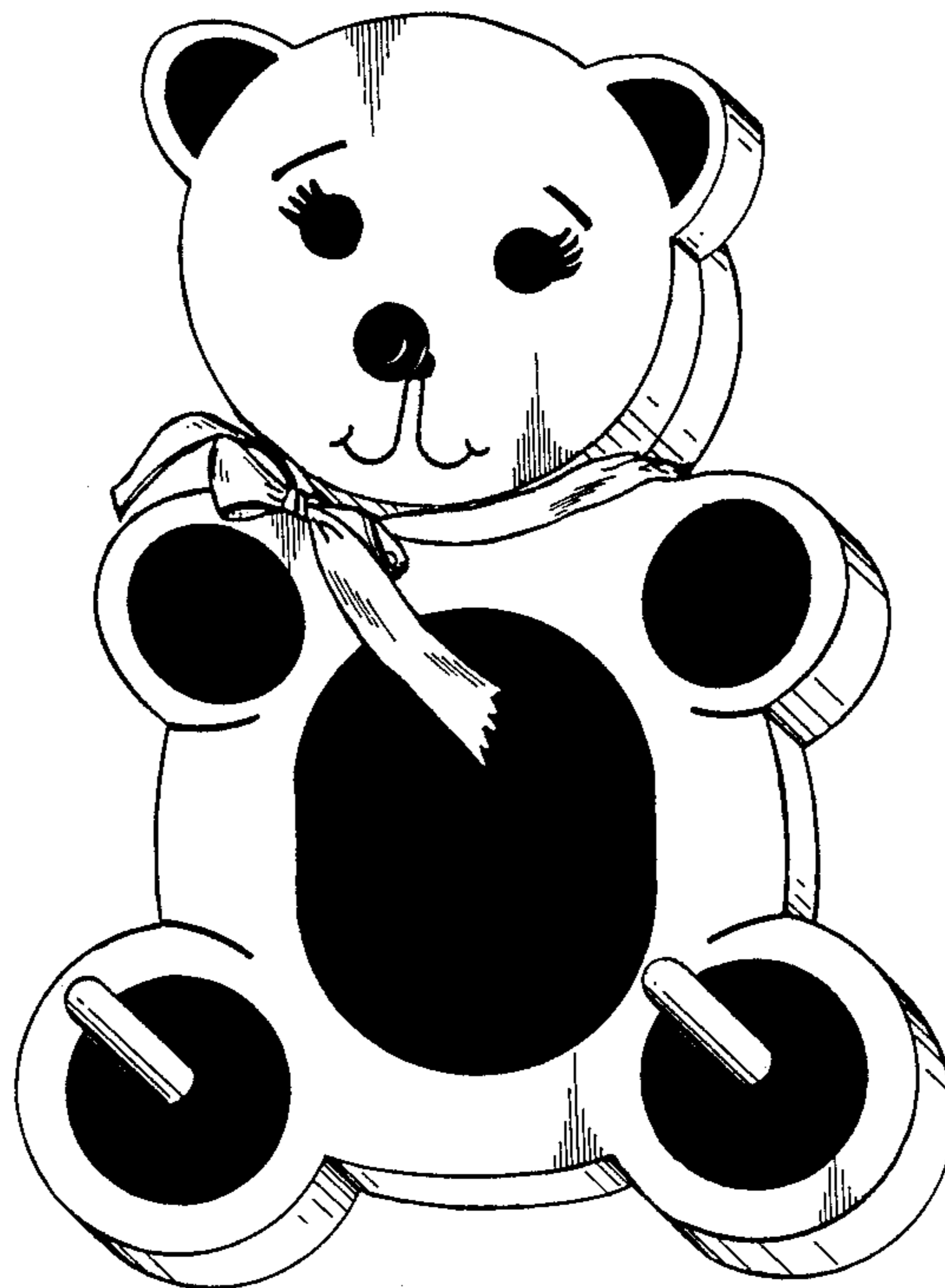


FIG. 1

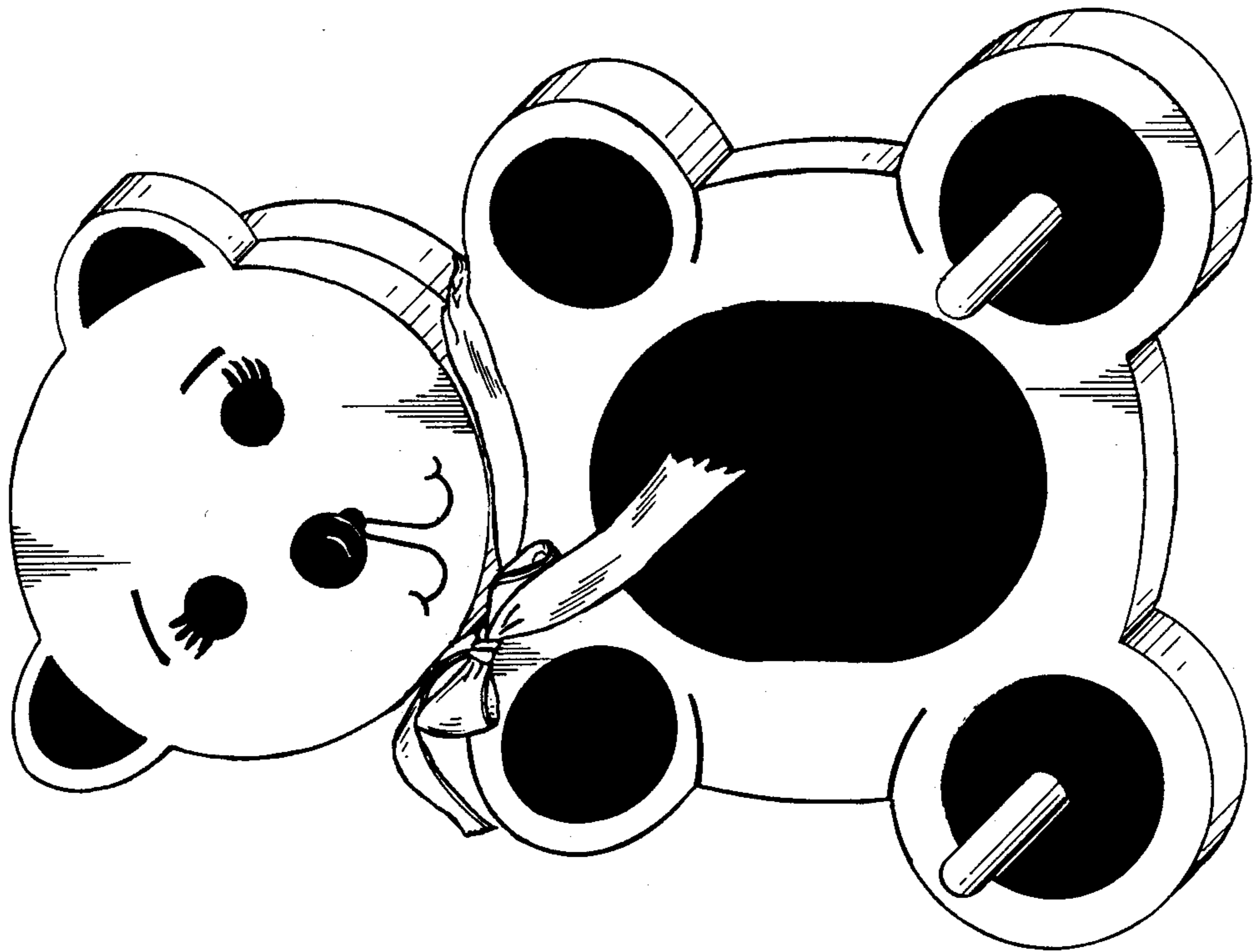


FIG. 2

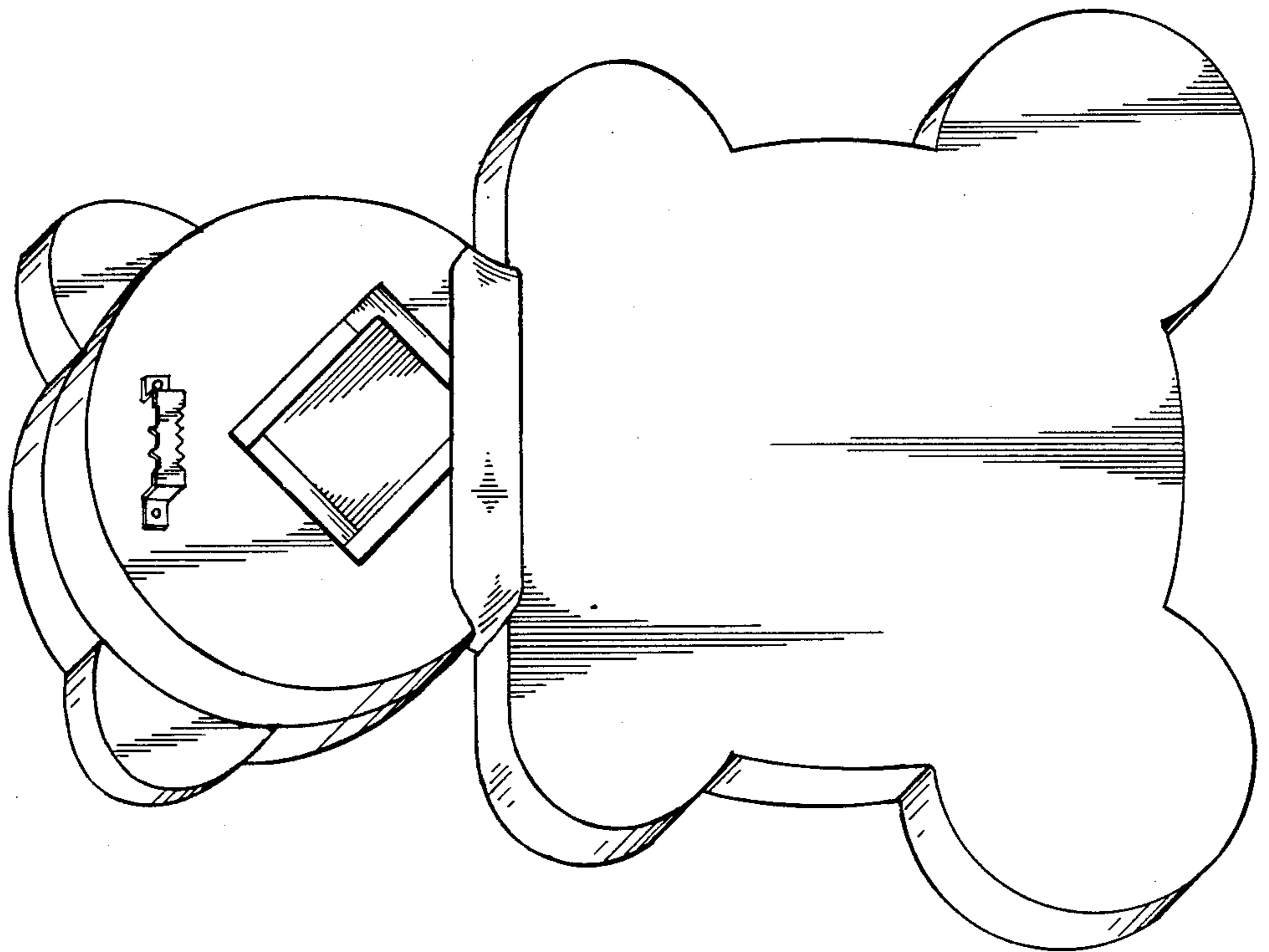


FIG. 3

