

# United States Patent [19]

Roehrig

[11] Patent Number: Des. 302,209

[45] Date of Patent: \*\* Jul. 18, 1989

- [54] CONTAINER FOR PACIFIERS  
[75] Inventor: Peter Roehrig, Vienna, Austria  
[73] Assignee: MAM Babyartikel Gesellschaft  
m.b.H., Vienna, Austria  
[\*\*] Term: 14 Years  
[21] Appl. No.: 842,403  
[22] Filed: Mar. 10, 1986  
[30] Foreign Application Priority Data  
Sep. 12, 1985 [AT] Austria ..... 537874  
[52] U.S. Cl. .... D3/30.1; D3/99  
[58] Field of Search ..... D24/47; D9/363, 364,  
D9/455, 363, 364, 360, 352, 362, 443, 423, 444,  
499; D3/106, 39, 30.1, 50, 51, 53, 74, 78;  
D34/43, 44, 99; 220/1 R, 20, 20 S  
[56] References Cited  
U.S. PATENT DOCUMENTS  
D. 8,886 1/1876 Bell ..... D3/78  
D. 58,869 9/1921 Berkowitz ..... D3/39  
D. 286,950 12/1986 Miles et al. .... D3/39

1,570,326 1/1926 Bangs ..... D3/39 X

## FOREIGN PATENT DOCUMENTS

1050508 1/1954 France ..... 220/1 R

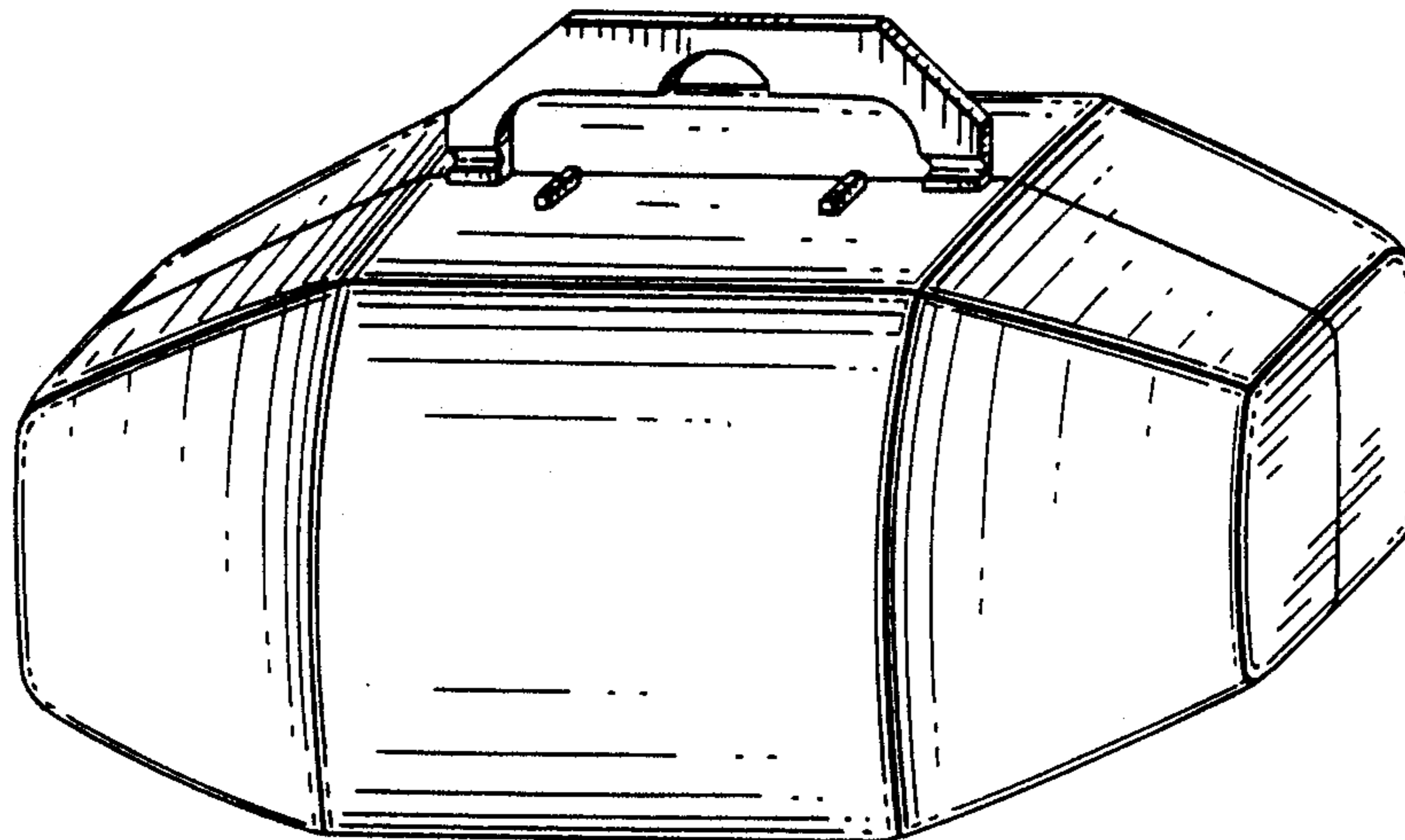
Primary Examiner—Bruce W. Dunkins  
Assistant Examiner—Y. Brunot  
Attorney, Agent, or Firm—Abelman Frayne Rezac &  
Schwab

## [57] CLAIM

The ornamental design for a container for pacifiers, as shown.

## DESCRIPTION

FIG. 1 is a front elevational view of a container for pacifiers, showing my new design;  
FIG. 2 is a rear elevational view;  
FIG. 3 is an end elevational view taken from the right of FIG. 1;  
FIG. 4 is an end elevational view taken from the left of FIG. 1;  
FIG. 5 is a top plan view;  
FIG. 6 is a bottom plan view; and,  
FIG. 7 is a perspective view of said container.



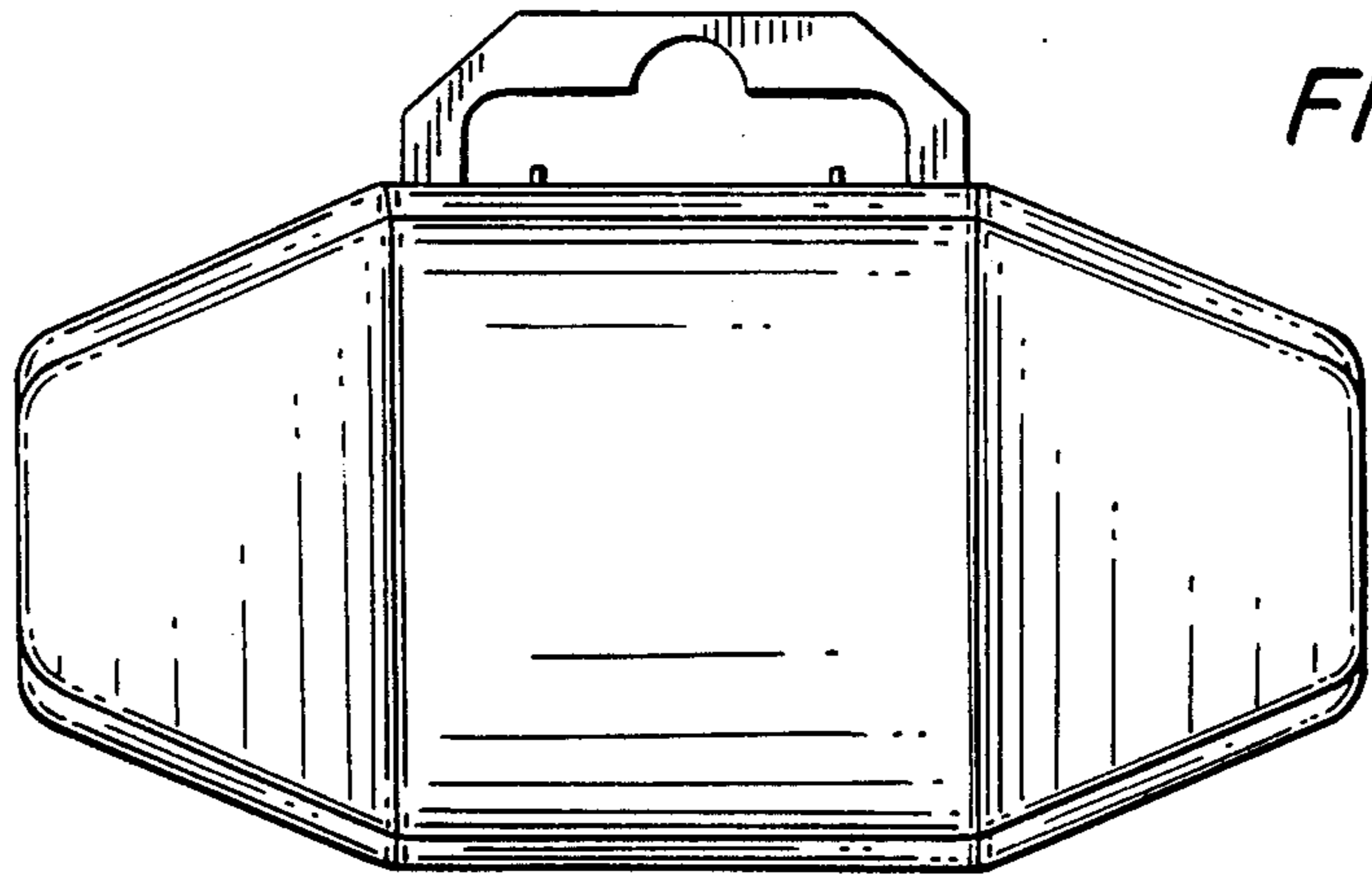


FIG. 1

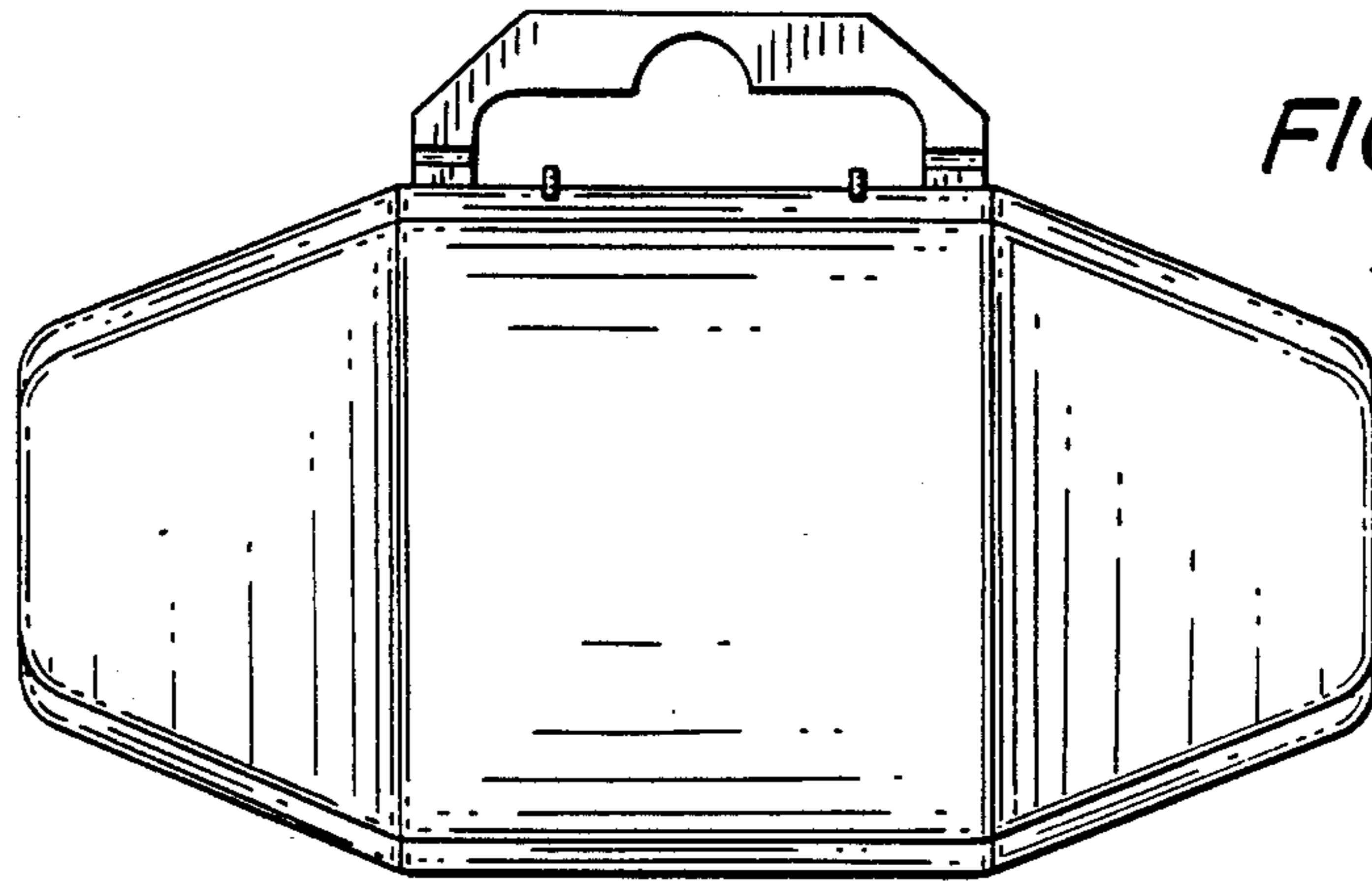


FIG. 2

FIG. 3

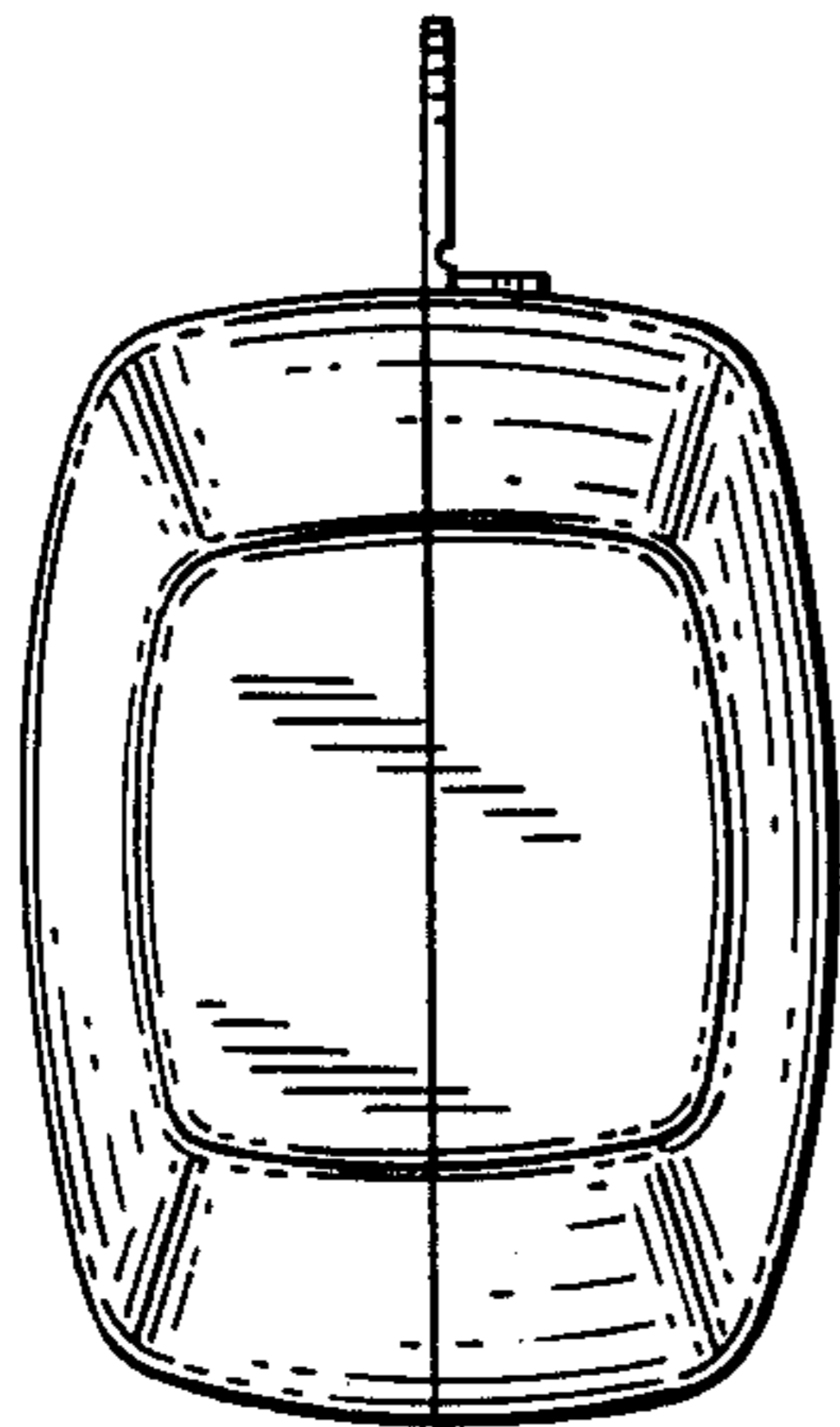
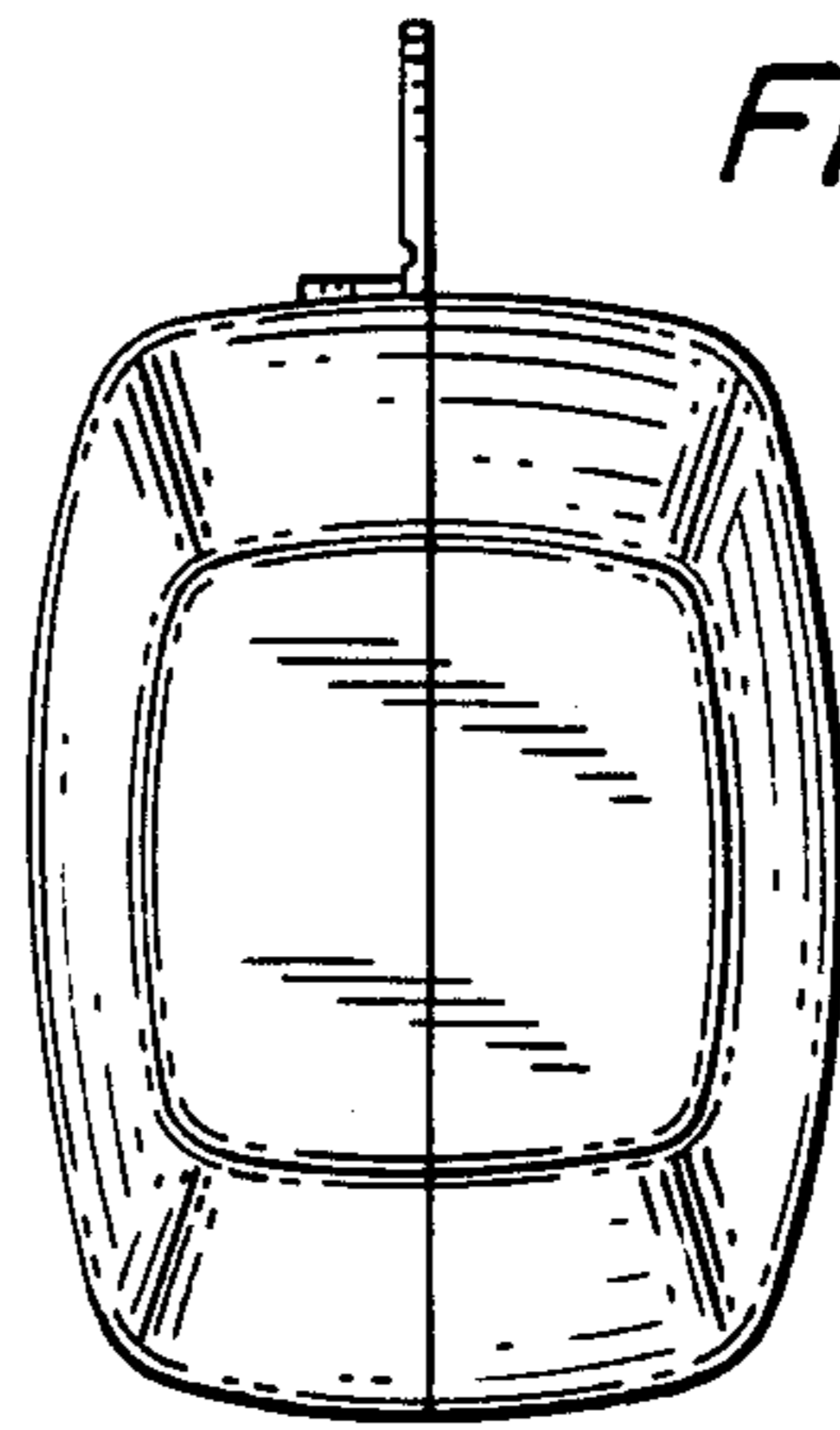


FIG. 4



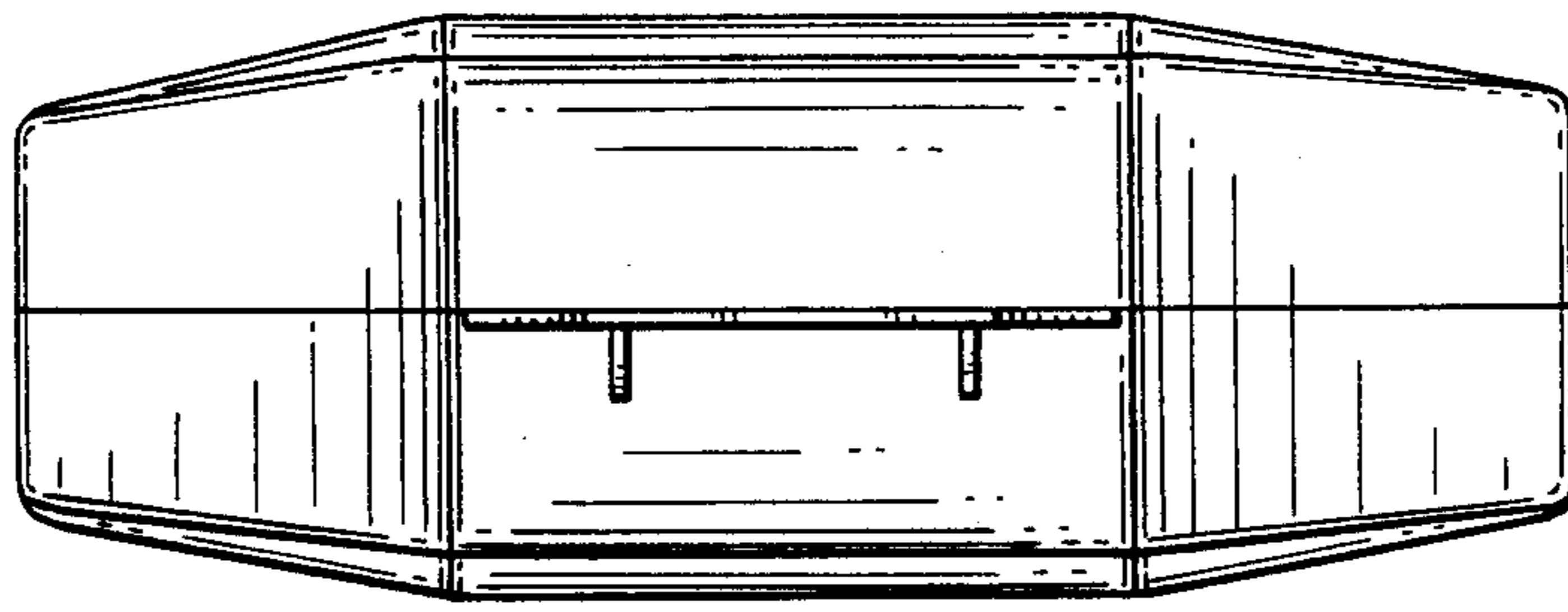


FIG. 5

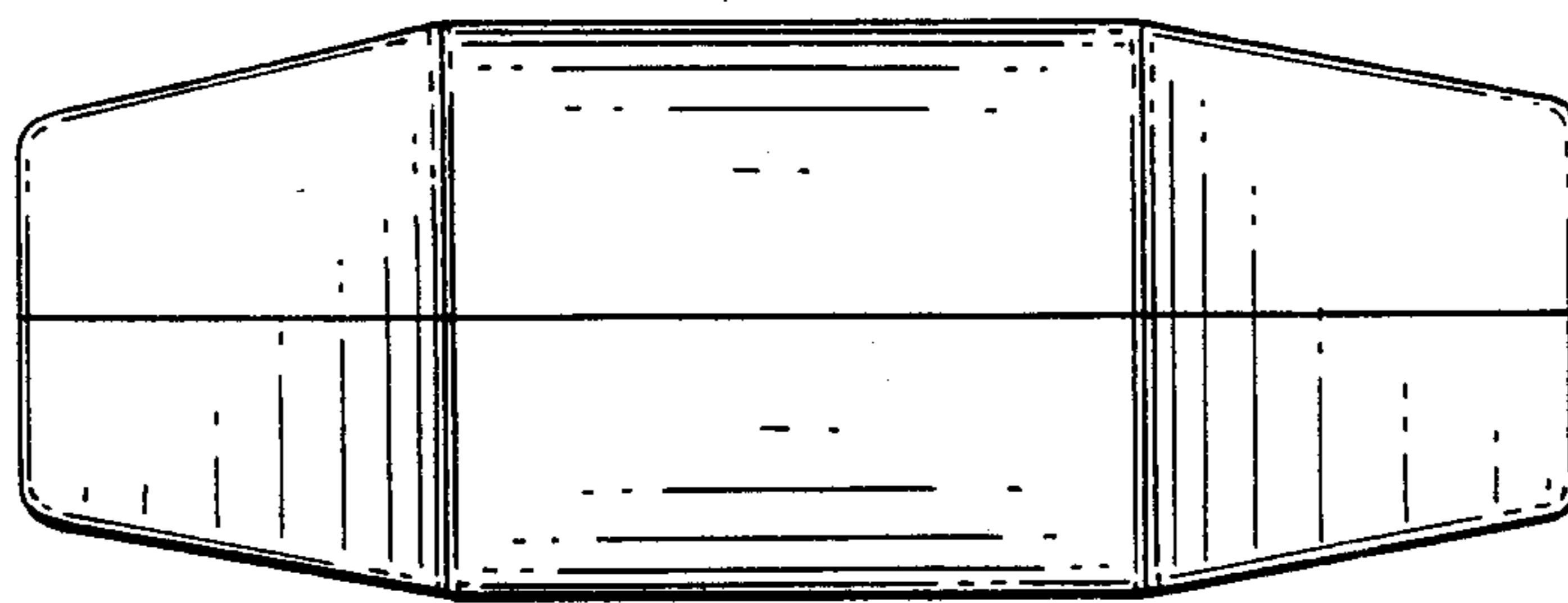


FIG. 6

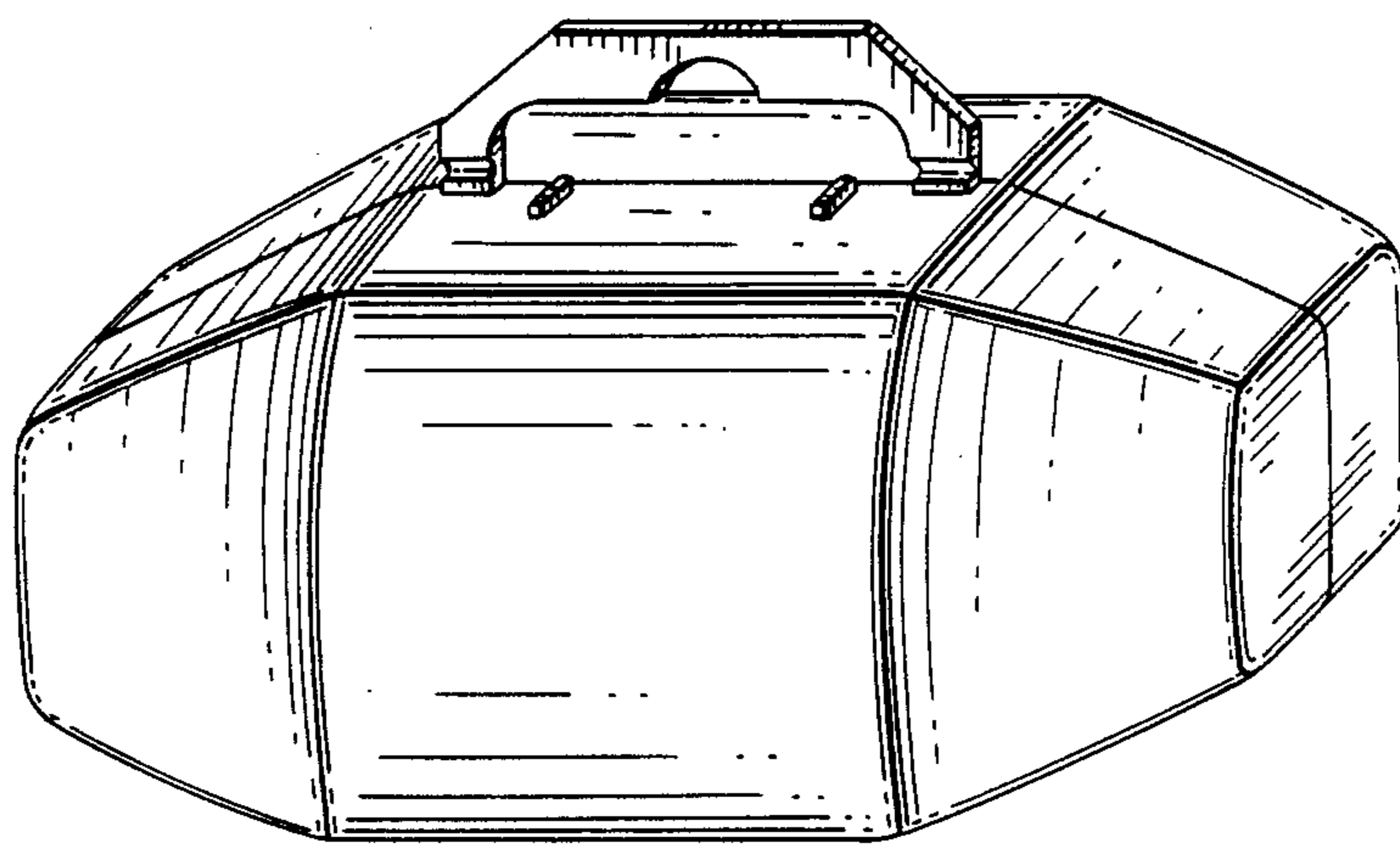


FIG. 7