

[54] **MICROTITRE PLATE**

[75] **Inventor: Vlado I. Matkovich, Glen Cove, N.Y.**

[73] **Assignee: Pall Corporation, Glen Cove, N.Y.**

[\*\*] **Term: 14 Years**

[21] **Appl. No.: 60,062**

[22] **Filed: Jun. 9, 1987**

[52] **U.S. Cl. .... D24/31**

[58] **Field of Search ..... D24/31; 422/102, 99;  
 435/293, 296, 301; 436/515, 529, 809; 356/244;  
 206/562, 564, 569**

[56] **References Cited**

**U.S. PATENT DOCUMENTS**

3,649,464	3/1972	Freeman .....	422/99 X
4,090,850	5/1978	Chen et al. ....	23/259
4,246,339	1/1981	Cole et al. ....	422/102 X
4,407,943	10/1983	Cole et al. ....	435/7
4,761,378	8/1988	Godsey .....	422/102 X

**FOREIGN PATENT DOCUMENTS**

0098534 1/1984\* European Pat. Off. .

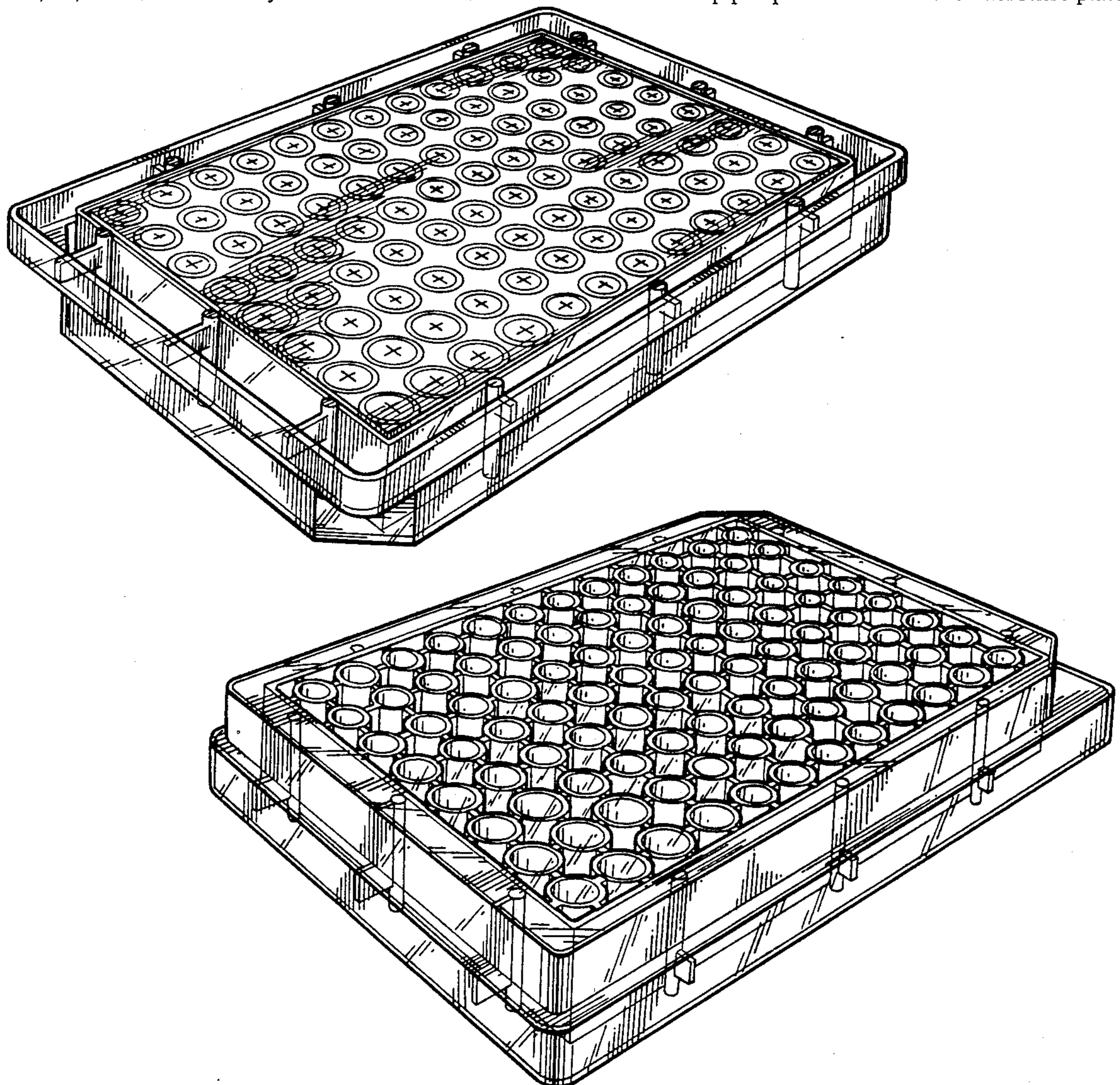
*Primary Examiner*—Wallace R. Burke  
*Assistant Examiner*—Stella M. Reid  
*Attorney, Agent, or Firm*—Leydig, Voit & Mayer

[57] **CLAIM**

The ornamental design for a microtitre plate, as shown.

**DESCRIPTION**

FIG. 1 is a bottom perspective view of the microtitre plate, showing my new design;  
 FIG. 2 is a bottom plan view of the microtitre plate shown in FIG. 1;  
 FIG. 3 is a side elevational view of the microtitre plate shown in FIG. 1;  
 FIG. 4 is an end elevational view of the microtitre plate shown in FIG. 1;  
 FIG. 5 is a cross-sectional view taken along line VI—VI of FIG. 2;  
 FIG. 6 is an opposite end elevational view of the microtitre plate shown in FIG. 1; and  
 FIG. 7 is a top perspective view of the microtitre plate.



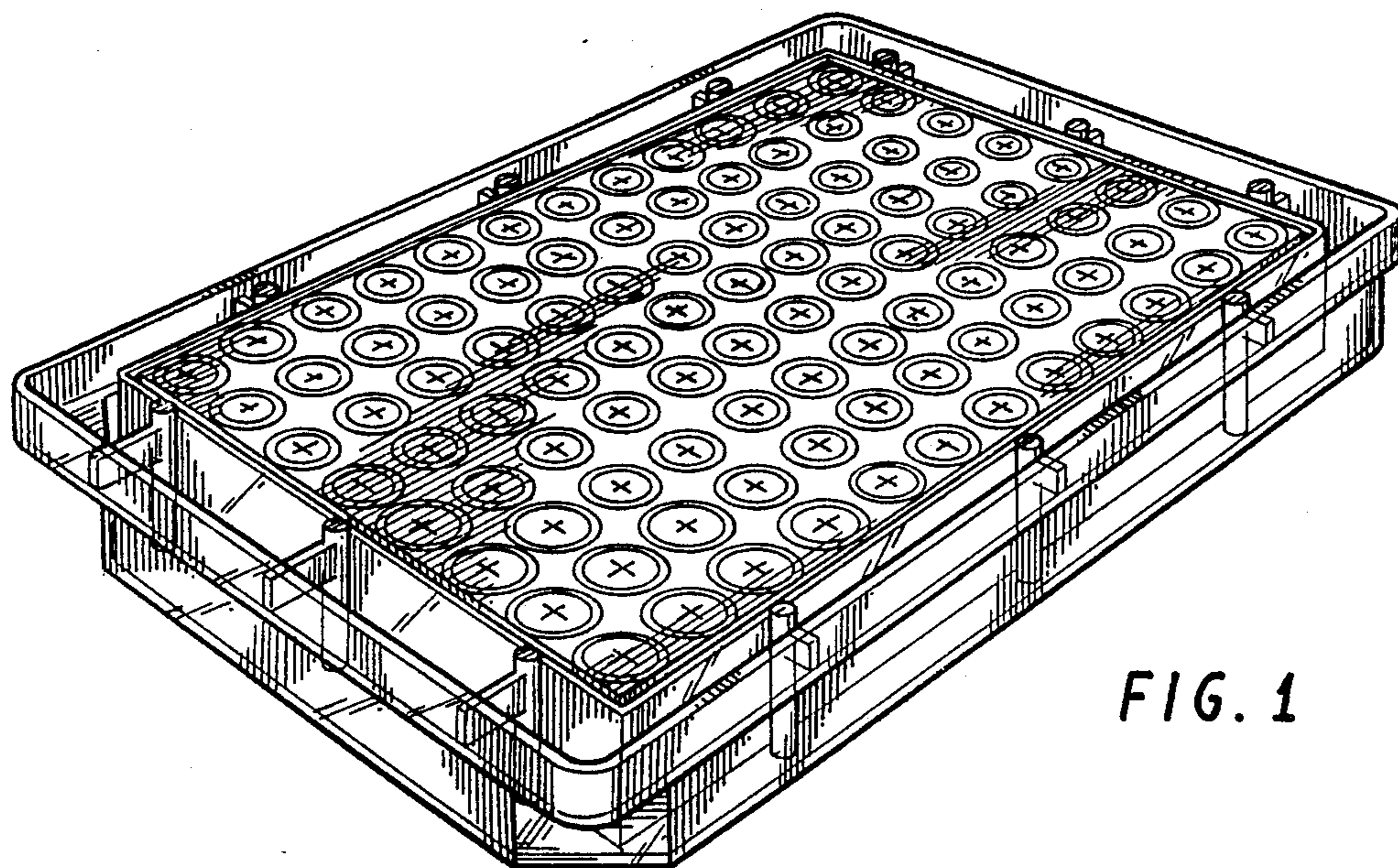


FIG. 1

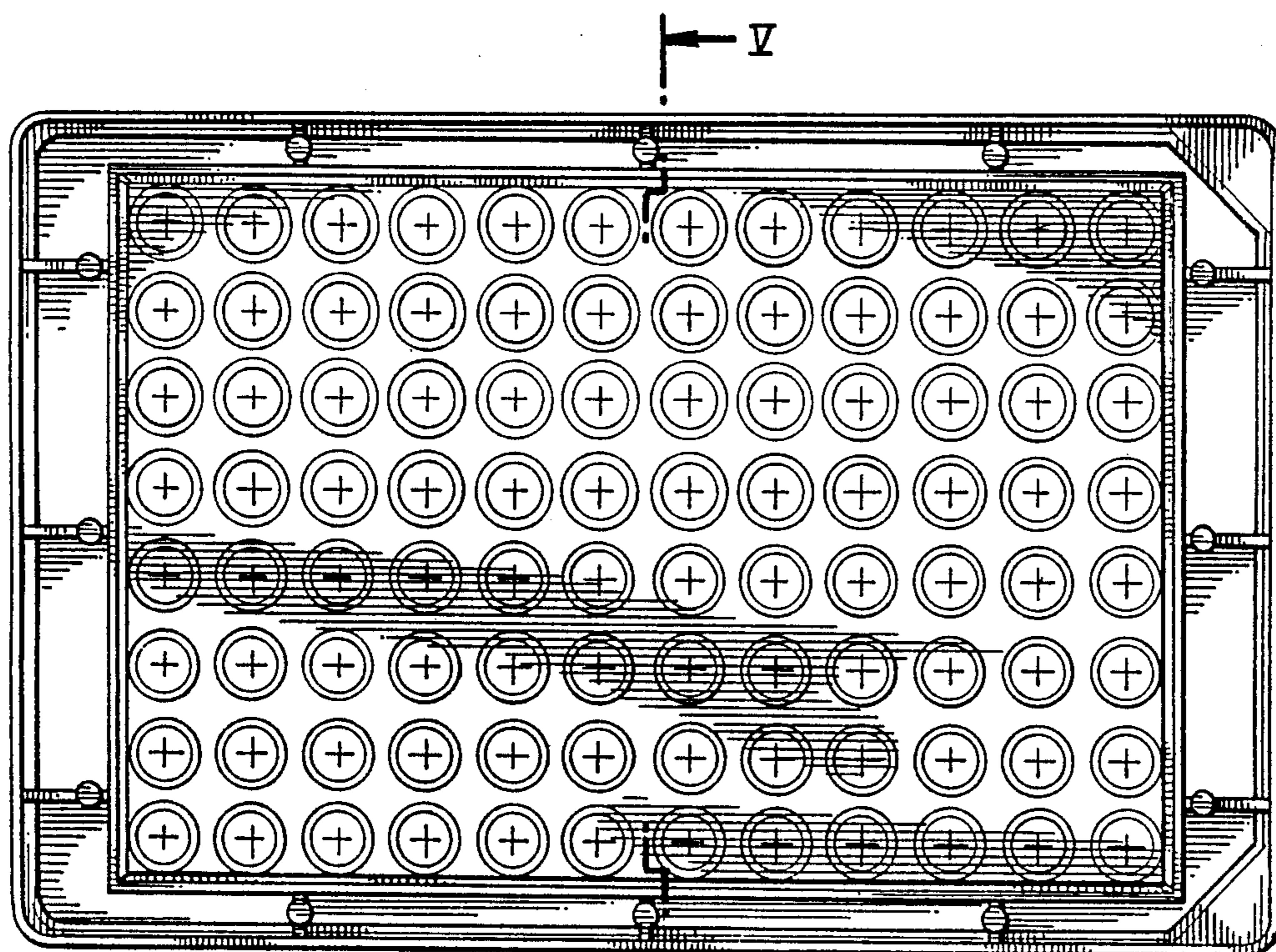


FIG. 2

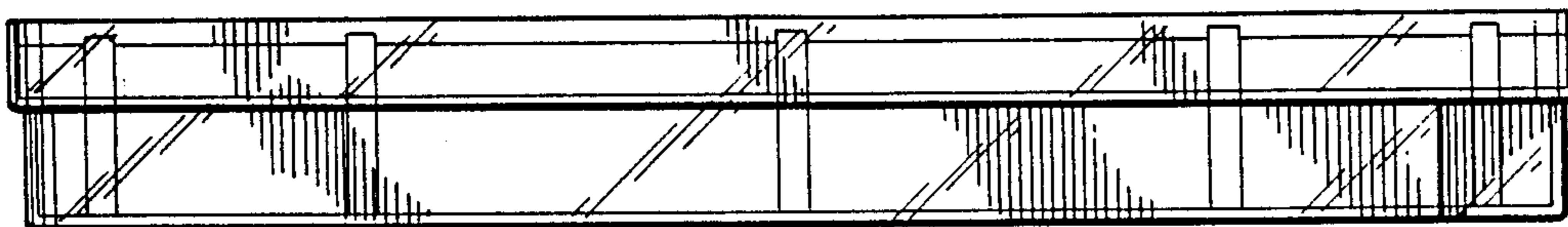


FIG. 3

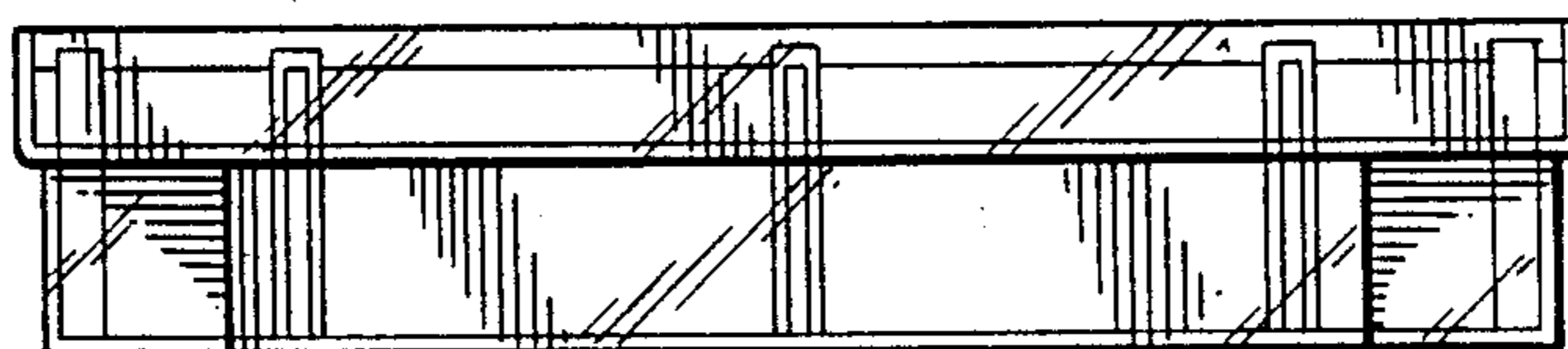


FIG. 4

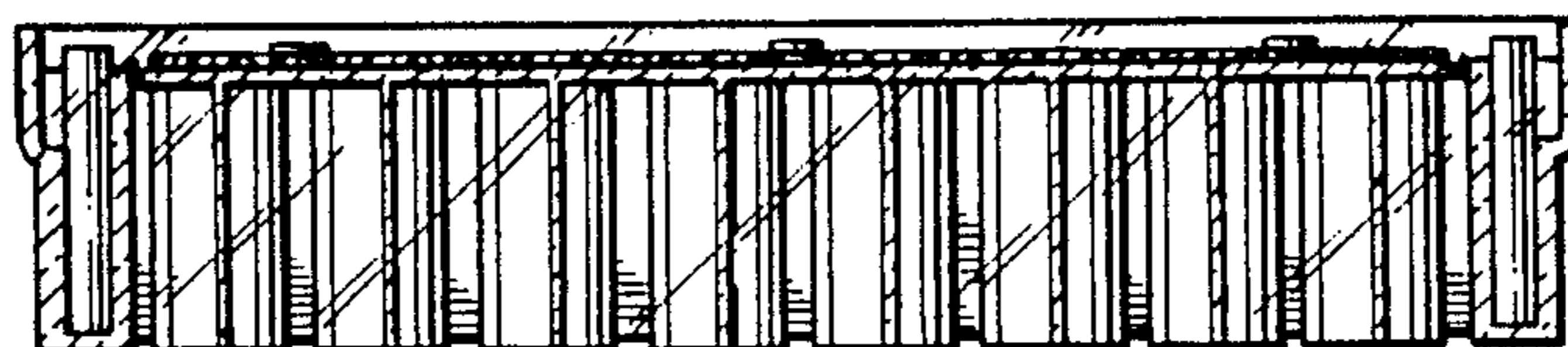


FIG. 5

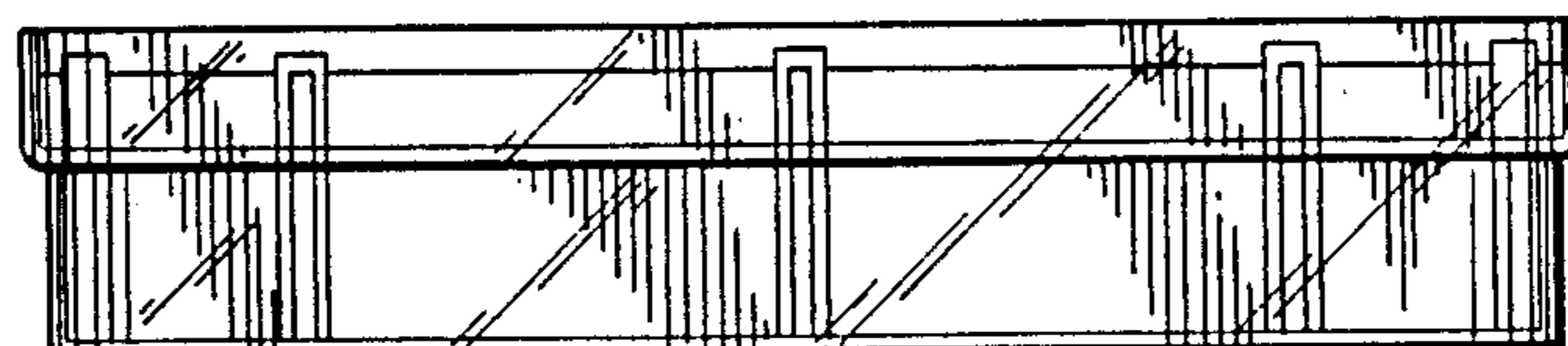


FIG. 6

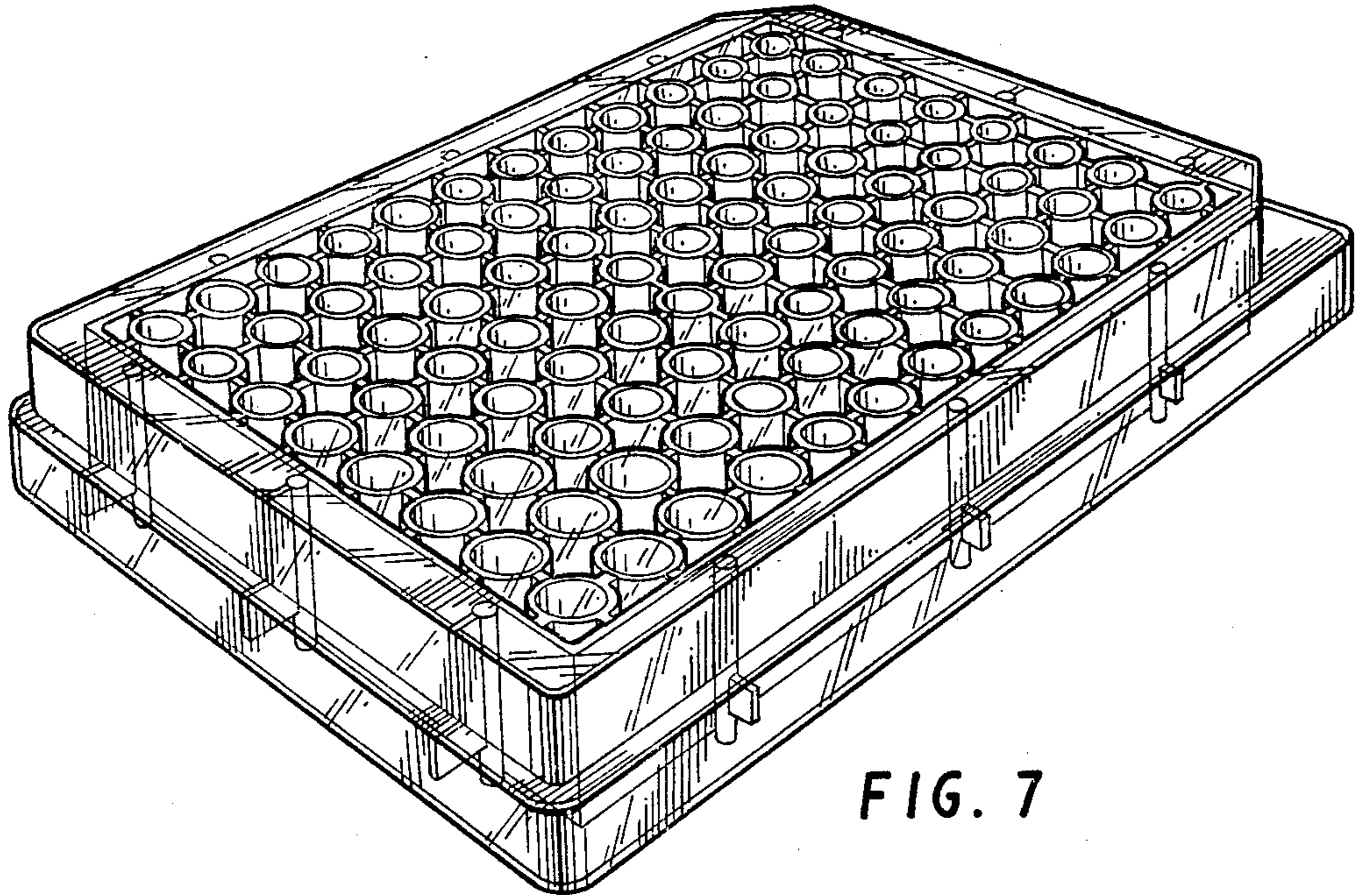


FIG. 7