

[54] CAP FOR A SYRINGE OR SIMILAR ARTICLE

[75] Inventors: Gary B. McAlister, Beacon Falls, Conn.; David H. Dawes, Sangerfield; William J. Sullivan, Manlius, both of N.Y.

[73] Assignee: Sherwood Medical Company, St. Louis, Mo.

[**] Term: 14 Years

[21] Appl. No.: 885,561

[22] Filed: Jul. 17, 1986

[52] U.S. Cl. D24/25

[58] Field of Search D24/25, 24, 14; 604/46, 604/125, 222, 187, 227, 183, 192-194, 197-199, 226, 263, 403; 206/365

[56] References Cited

U.S. PATENT DOCUMENTS

D. 253,720	12/1979	Millet	D24/25
2,695,612	11/1954	Fields	604/222
2,722,257	11/1955	Lockhart	150/5

3,247,698	4/1966	Baldwin et al.	604/187 X
3,380,452	4/1968	Elias	128/221
3,890,972	6/1975	Standley et al.	206/365 X
3,948,261	4/1976	Steiner	128/253
4,198,974	4/1980	Heavner et al.	128/215
4,286,591	9/1981	Raines	604/187
4,316,463	2/1982	Schmitz et al.	604/194 X
4,465,472	8/1984	Urbaniak	604/122

OTHER PUBLICATIONS

Photograph.

Primary Examiner—Wallace R. Burke

Assistant Examiner—Stella M. Reid

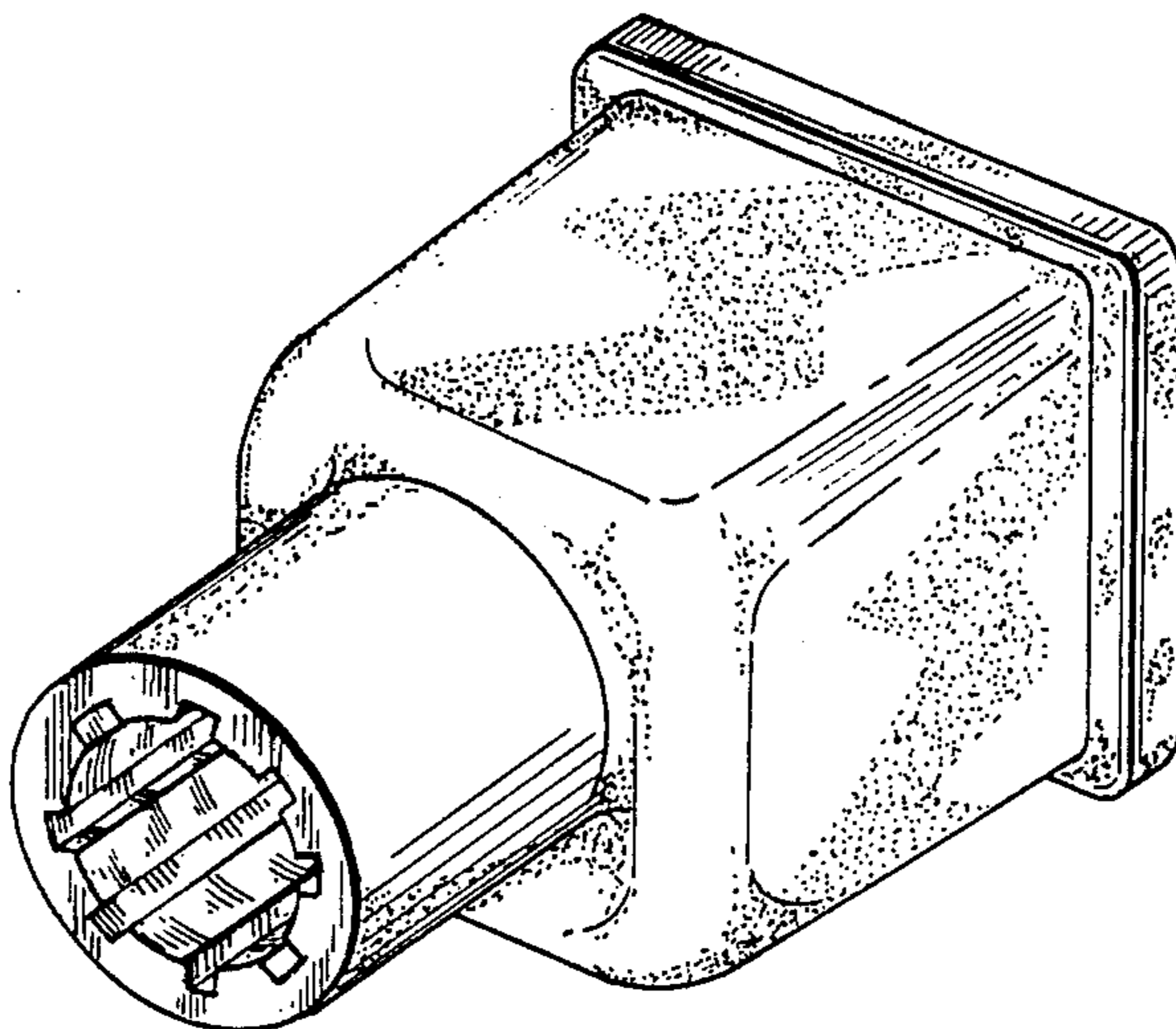
Attorney, Agent, or Firm—Stanley N. Garber; Andrew J. Beck; Richard D. Allison

[57] CLAIM

The ornamental design for a cap for a syringe or similar article, as shown.

DESCRIPTION

FIG. 1 is a perspective view of a cap for a syringe or similar article showing our new design; FIG. 2 is a perspective view thereof; opposite that shown in FIG. 1.



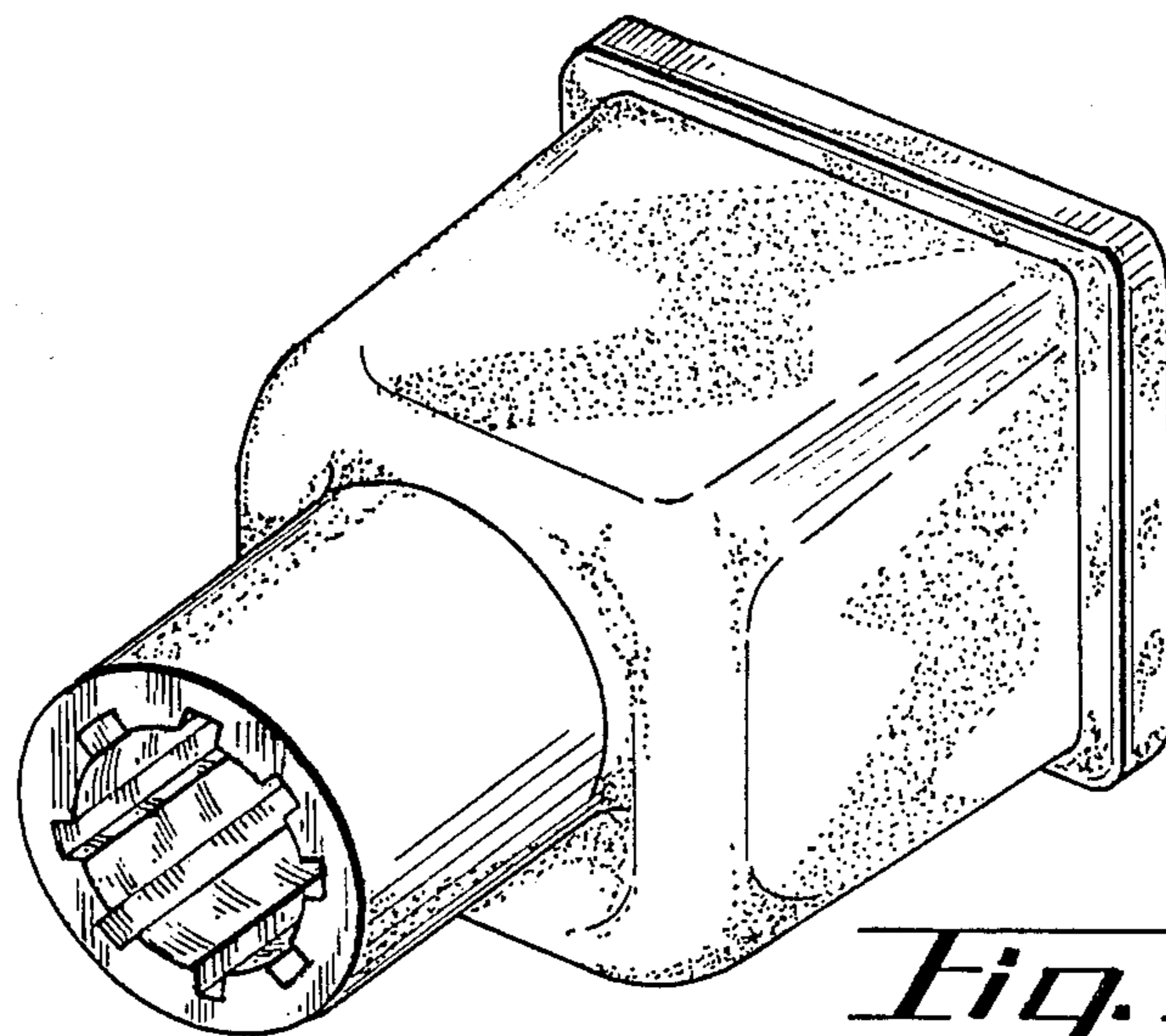


Fig. 1.

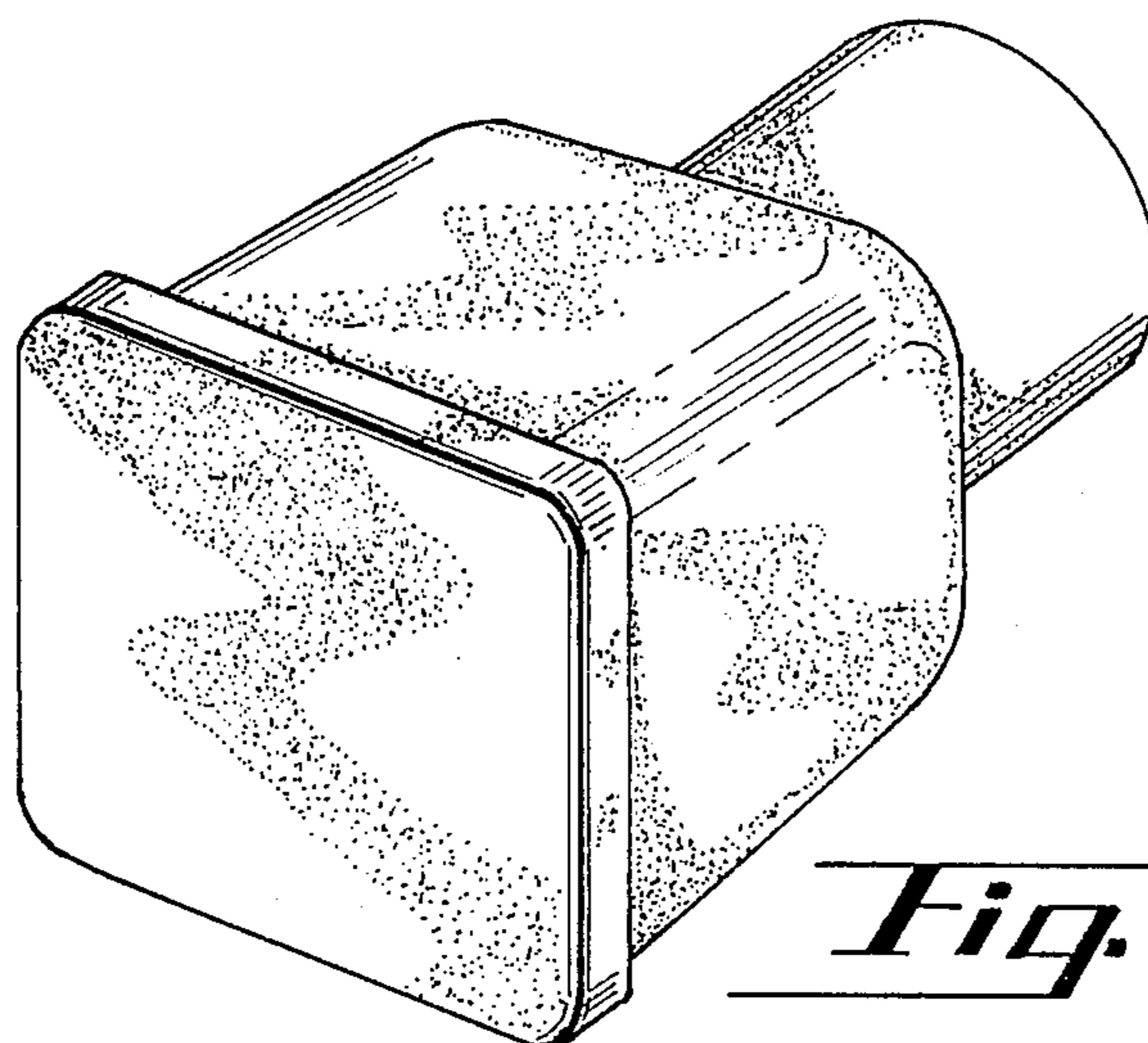


Fig. 2.