

[54] HOUSING UNIT FOR BIOMEDICAL MONITORING EQUIPMENT

4,404,974 9/1983 Titus 128/672 X
4,624,263 11/1986 Slavin 128/710
4,742,831 5/1988 Silvian 128/710

[75] Inventor: Kevin J. Whitley, South Hurstville, Australia

Primary Examiner—Wallace R. Burke
Assistant Examiner—Stella M. Reid
Attorney, Agent, or Firm—Armstrong, Nikaido, Marmelstein, Kubovcik & Murray

[73] Assignee: Pace Computer Services Pty. Ltd., Leichhardt, Australia

[**] Term: 14 Years

[57] CLAIM

[21] Appl. No.: 875,750

The ornamental design for a housing unit for biomedical monitoring equipment, as shown.

[22] Filed: Jun. 18, 1986

DESCRIPTION

[52] U.S. Cl. D24/17

[58] Field of Search D24/17, 21, 8; 128/695-697, 672, 670, 419 D, 900, 710

FIG. 1 is a front perspective view of a housing unit for biomedical monitoring equipment showing my new design;

FIG. 2 is a rear perspective view thereof;

FIG. 3 is a front elevational view thereof;

FIG. 4 is a rear elevational view thereof;

FIG. 5 is a right side elevational view thereof;

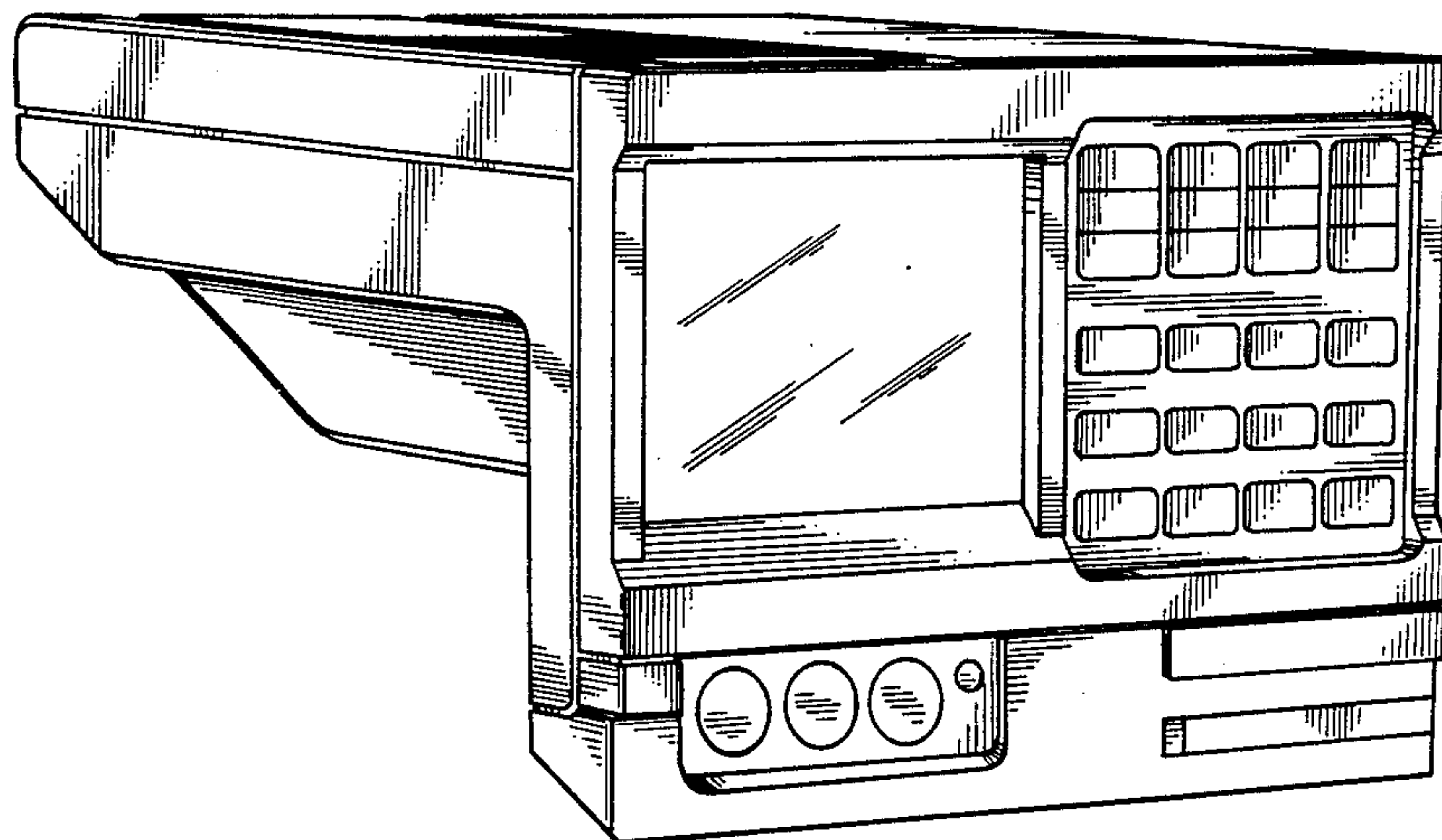
FIG. 6 is a top plan view thereof; and,

FIG. 7 is a bottom plan view thereof.

[56] References Cited

U.S. PATENT DOCUMENTS

3,547,104 12/1970 Buffington 128/696
3,910,257 10/1975 Fletcher et al. 128/670
4,347,851 9/1982 Jundanian 128/672 X



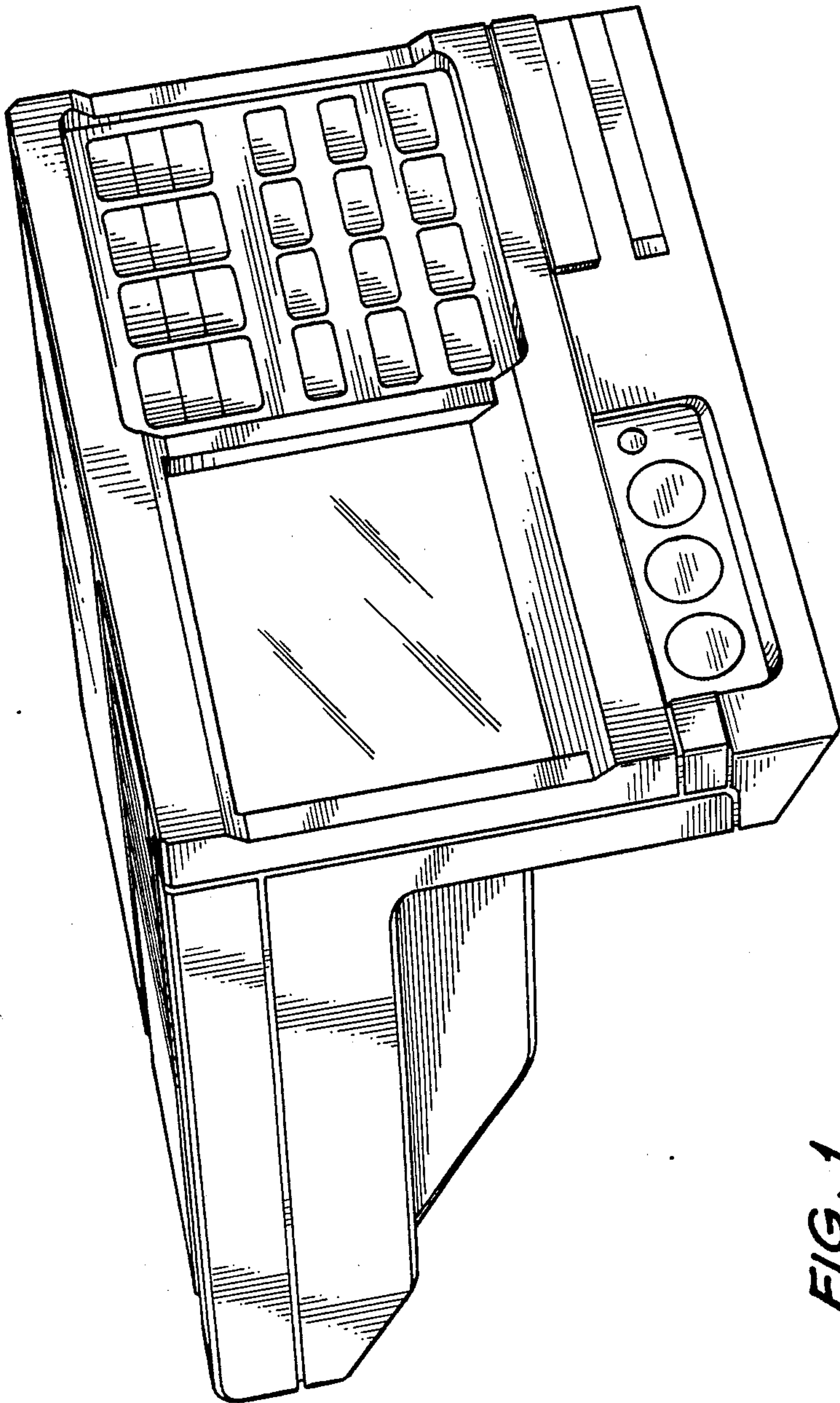


FIG. 1

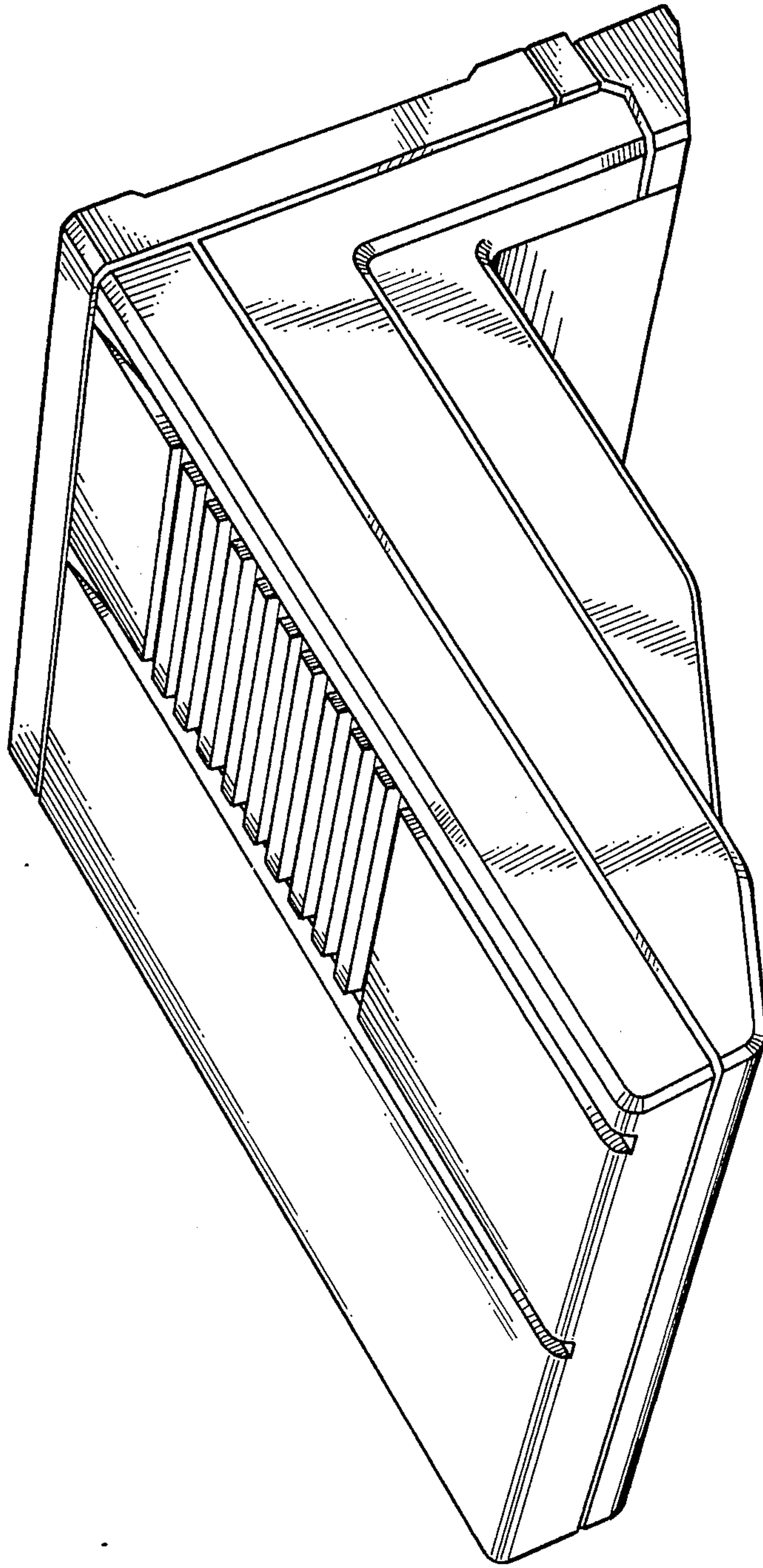


FIG. 2

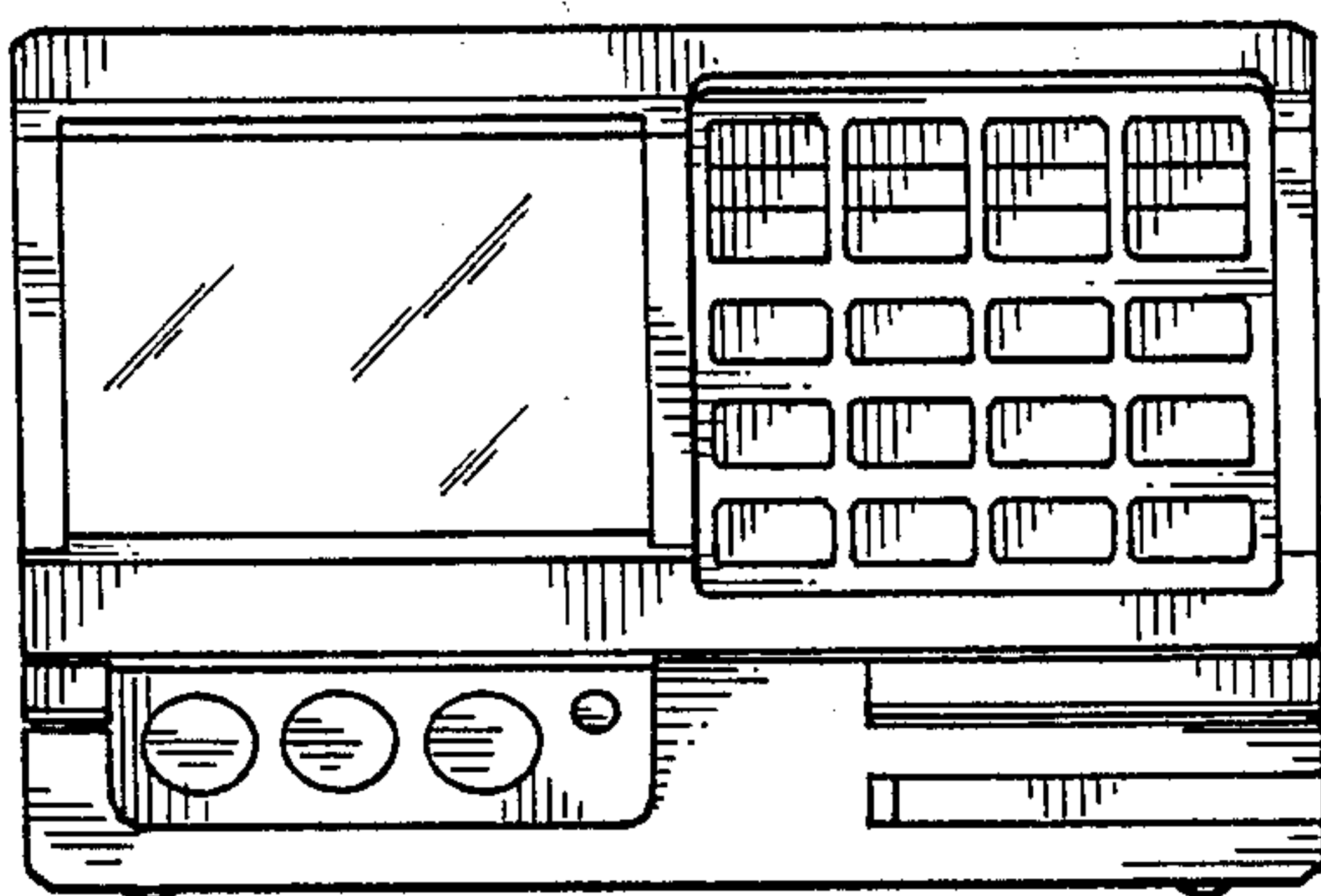


FIG. 3

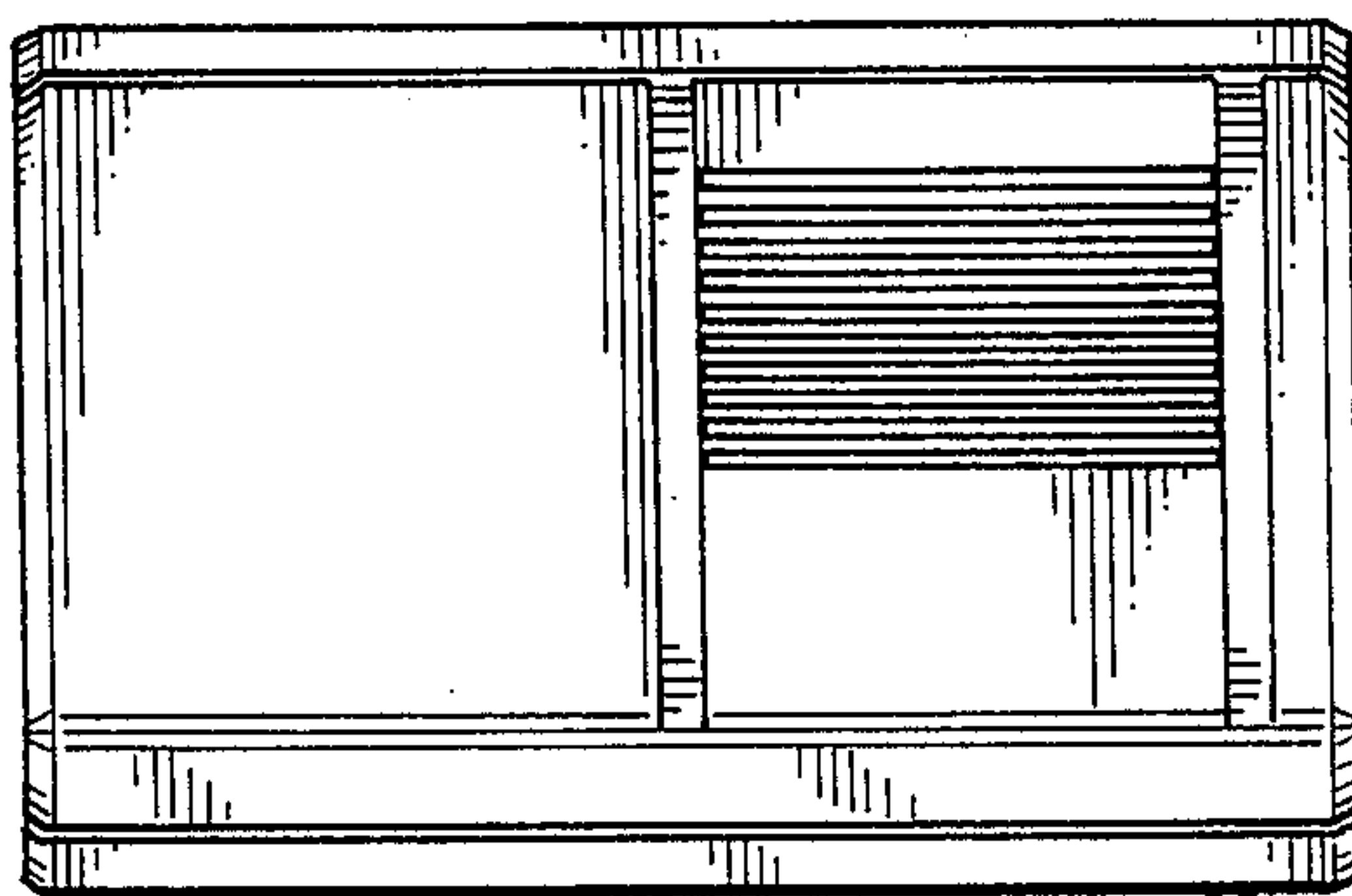


FIG. 4

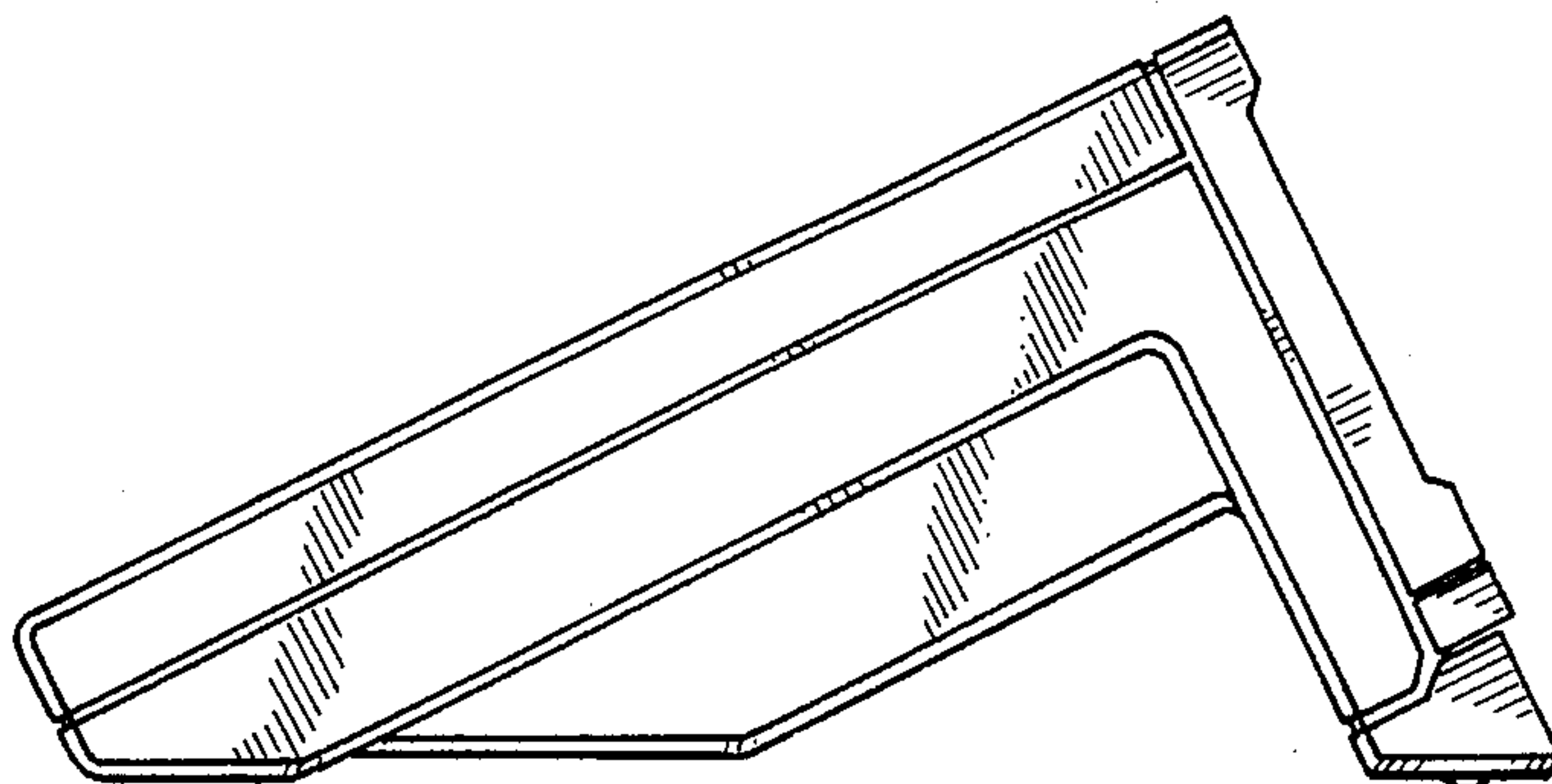


FIG. 5

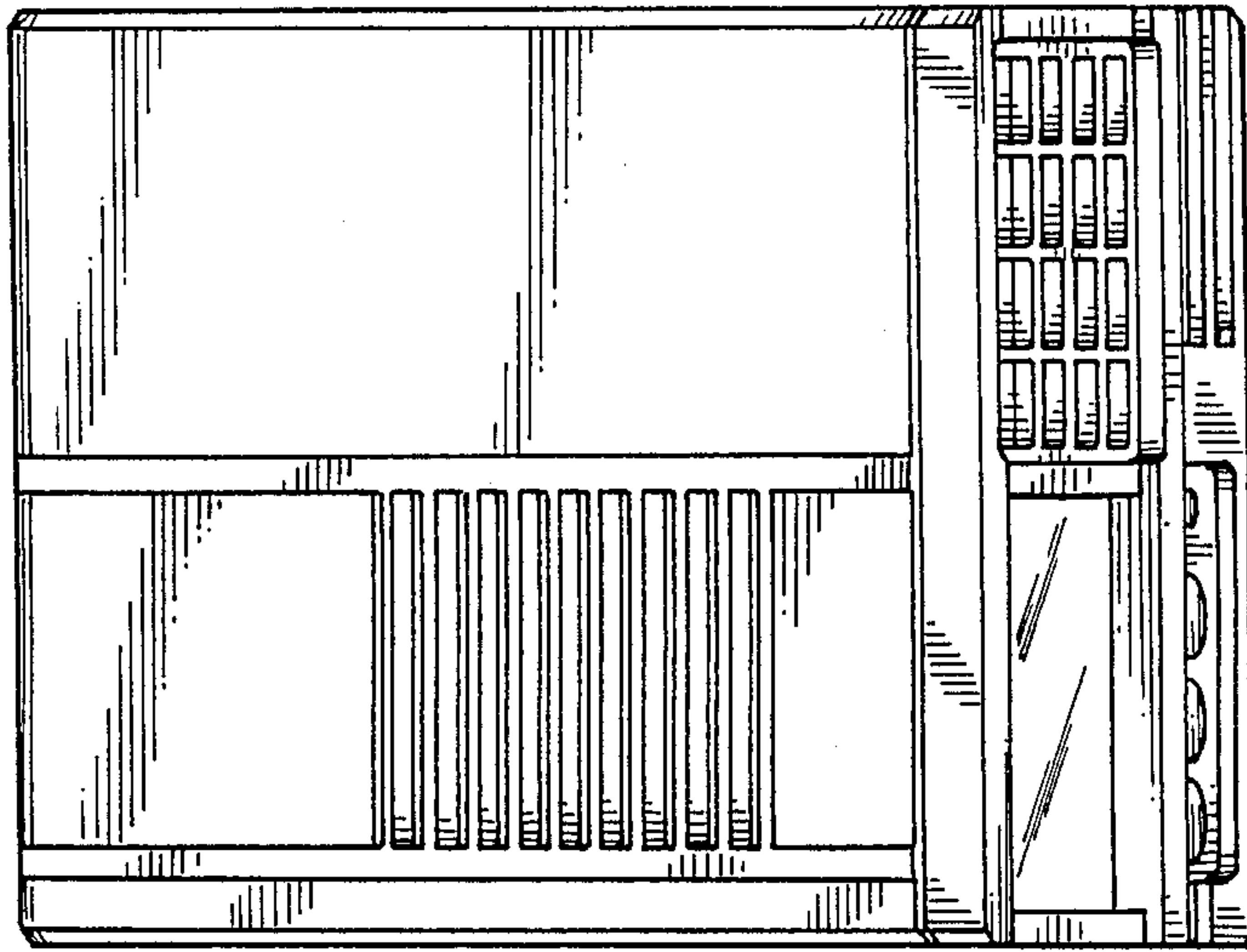


FIG. 6

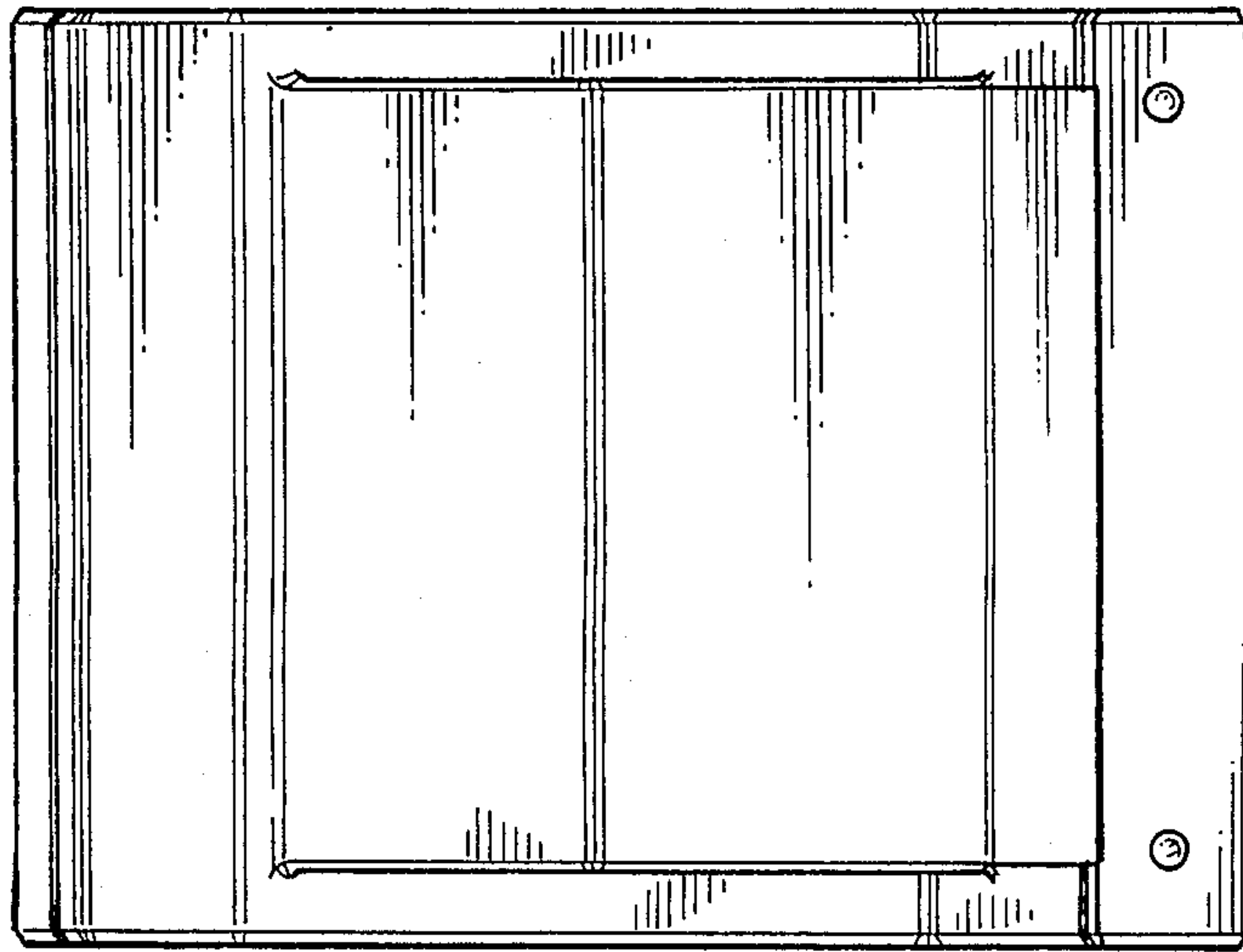


FIG. 7