

[54] LAVATORY HANDLE  
 [75] Inventor: Stanley M. Paul, Rye, N.Y.  
 [73] Assignee: Paul Associates, Ltd., Long Island City, N.Y.  
 [\*\*] Term: 14 Years  
 [21] Appl. No.: 207,274  
 [22] Filed: Jun. 15, 1988

D. 279,213 6/1985 Paul ..... D23/242  
 D. 280,232 8/1985 Paul ..... D23/242  
 D. 280,437 9/1985 Rademacher ..... D23/242  
 D. 287,160 12/1986 Rademacher ..... D23/242  
 D. 290,159 6/1987 Jans ..... D23/242  
 D. 290,160 6/1987 Paul ..... D23/241  
 D. 290,161 6/1987 Paul ..... D23/242  
 D. 290,869 7/1987 Paul ..... D23/242  
 D. 290,870 7/1987 Paul ..... D23/242  
 D. 290,871 7/1987 Paul ..... D23/242  
 D. 291,241 8/1987 Rademacher ..... D23/257

Related U.S. Application Data

[62] Division of Ser. No. 925,407, Oct. 31, 1986.  
 [52] U.S. Cl. .... D23/257  
 [58] Field of Search ..... D23/238-243,  
 D23/255-257; 4/191, 192; 137/801

Primary Examiner—James R. Largen  
 Attorney, Agent, or Firm—Darby & Darby

[57] CLAIM

The ornamental design for a lavatory handle, as shown and described.

DESCRIPTION

[56] References Cited  
 U.S. PATENT DOCUMENTS

D. 265,229 6/1982 Paul ..... D23/242  
 D. 265,230 6/1982 Paul ..... D23/241  
 D. 265,231 6/1982 Paul ..... D23/241  
 D. 265,580 7/1982 Paul ..... D23/242  
 D. 271,514 11/1983 Paul ..... D23/242  
 D. 278,458 4/1985 Paul ..... D23/242

FIG. 1 is a top perspective view of a lavatory spout showing my new design;  
 FIG. 2 is a top plan view thereof;  
 FIG. 3 is a front elevational view thereof;  
 FIG. 4 is a right side elevational view thereof, the left side being a mirror image of the right side shown;  
 FIG. 5 is a rear elevational view thereof; and  
 FIG. 6 is a bottom view thereof.

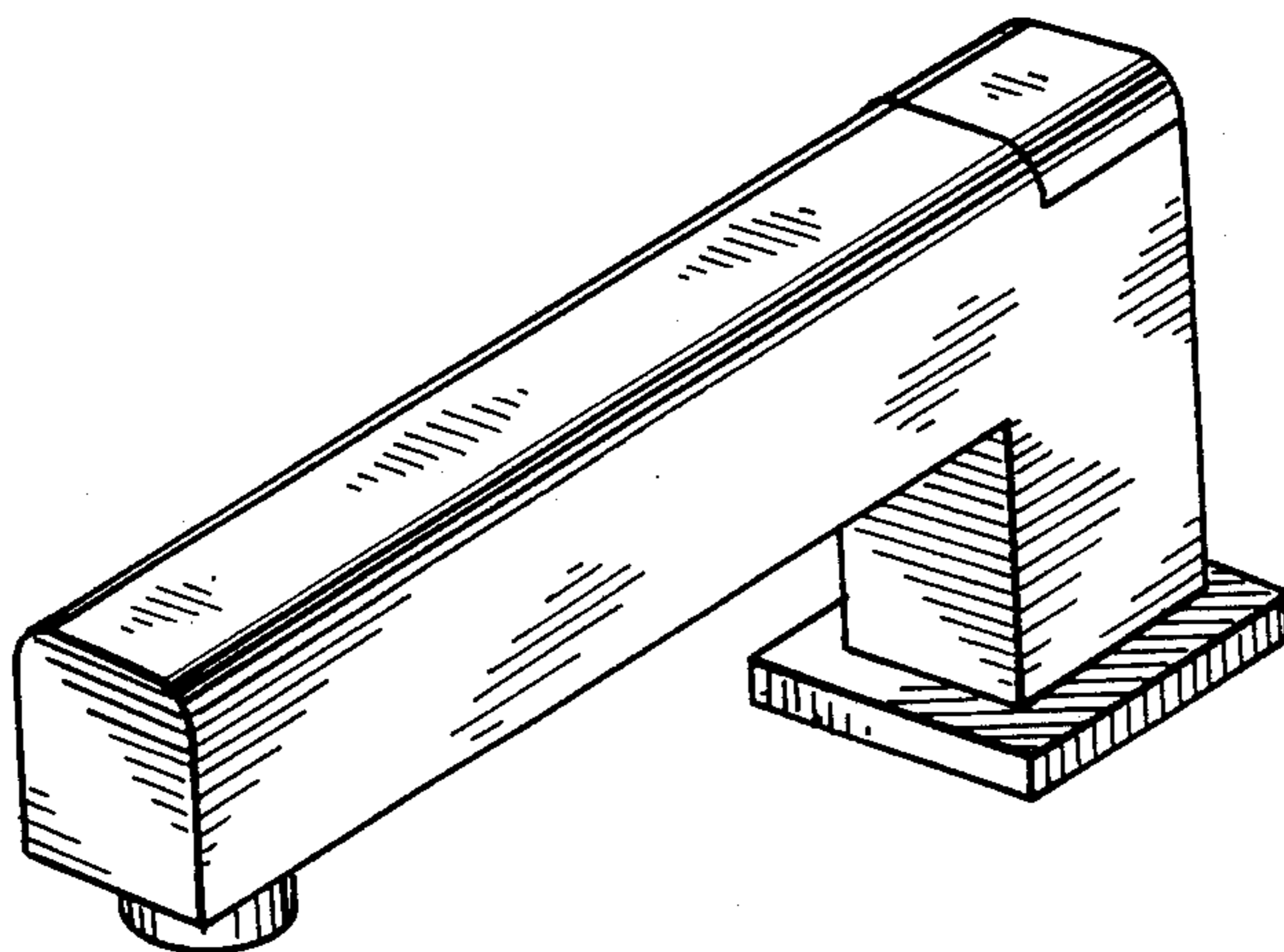


FIG. 1

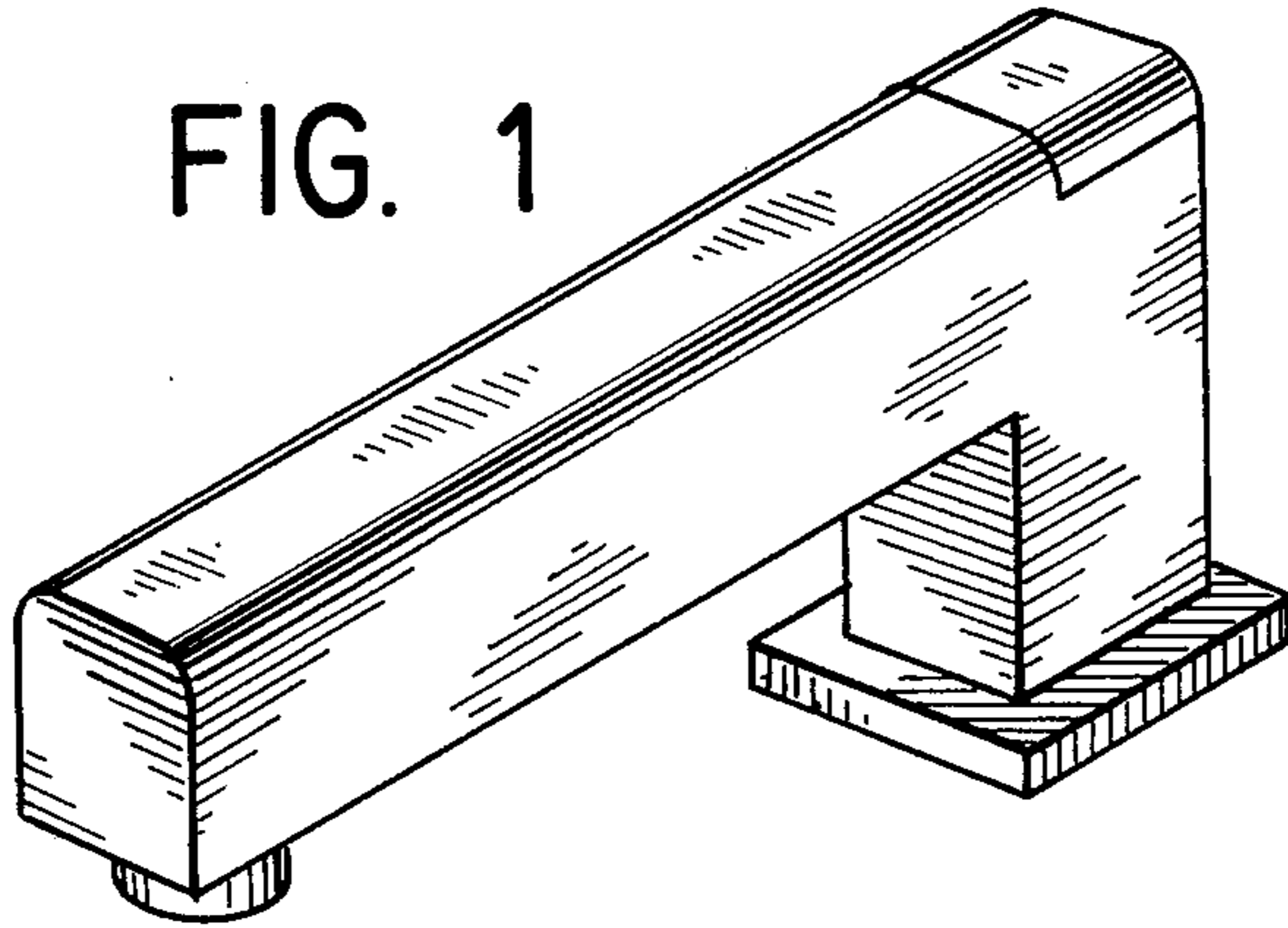


FIG. 2

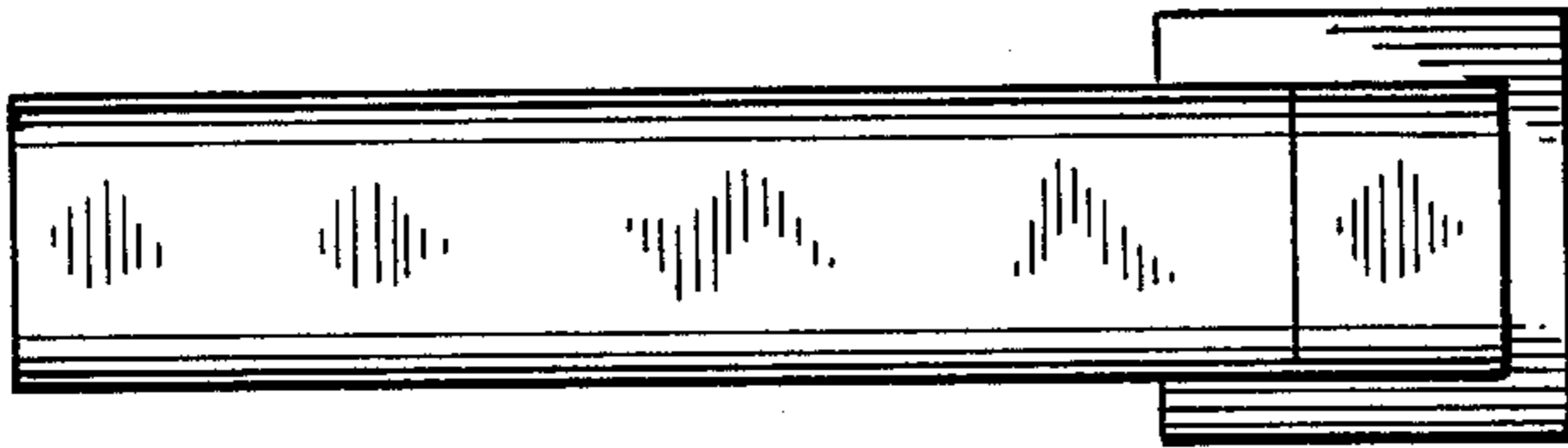


FIG. 4

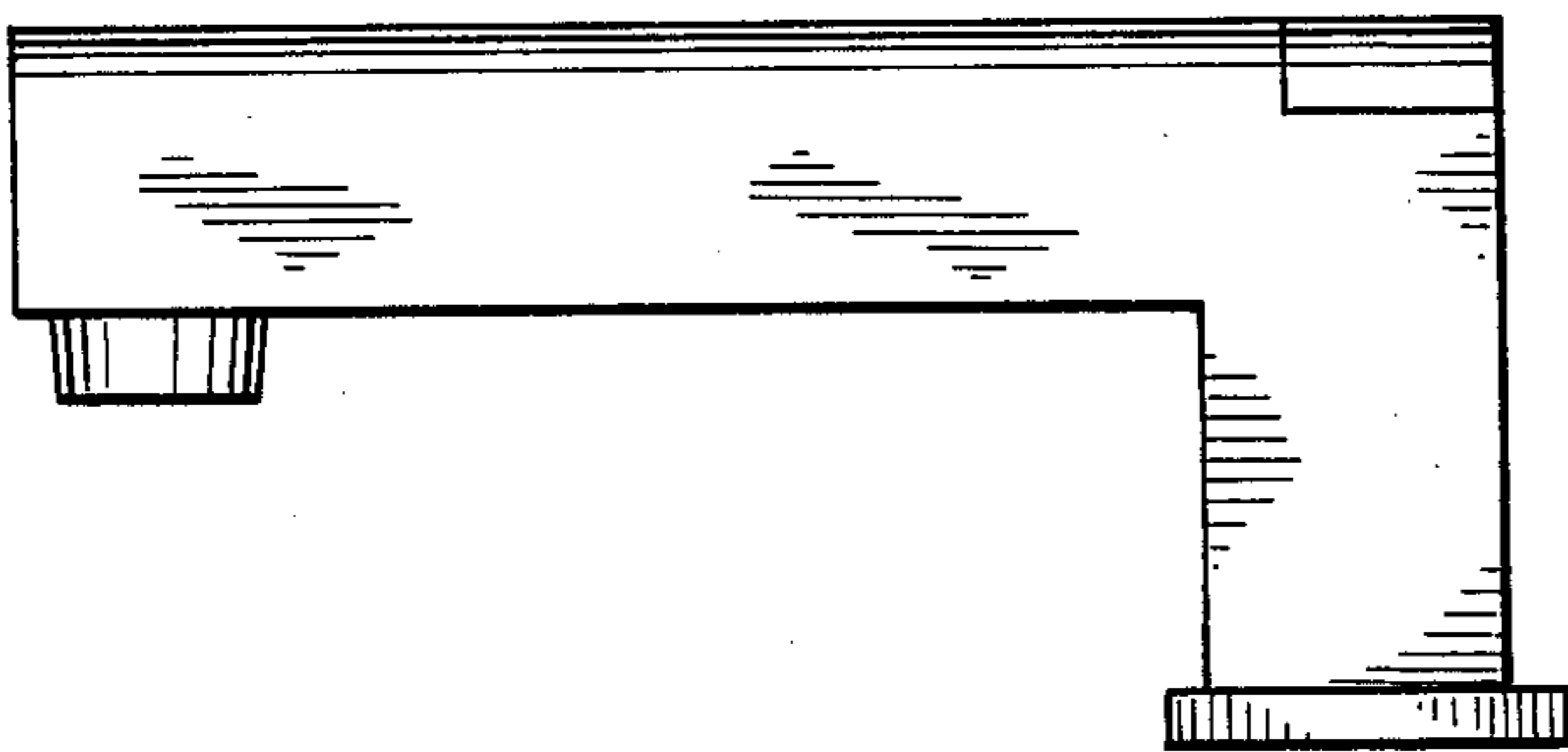


FIG. 6



FIG. 3

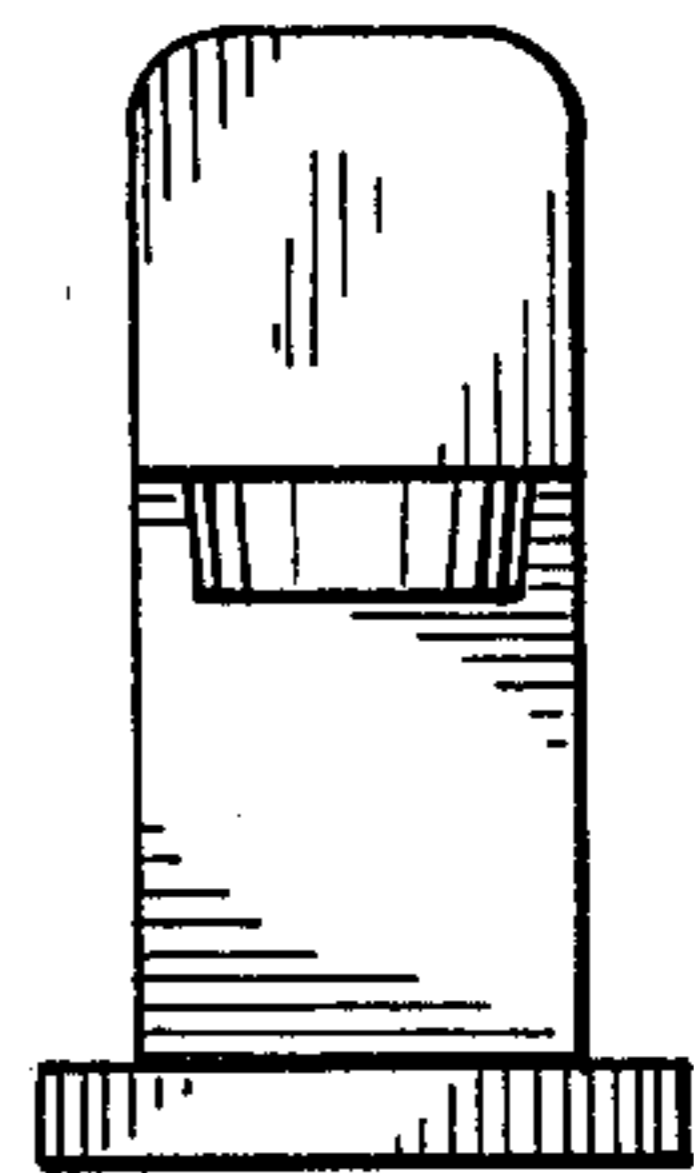
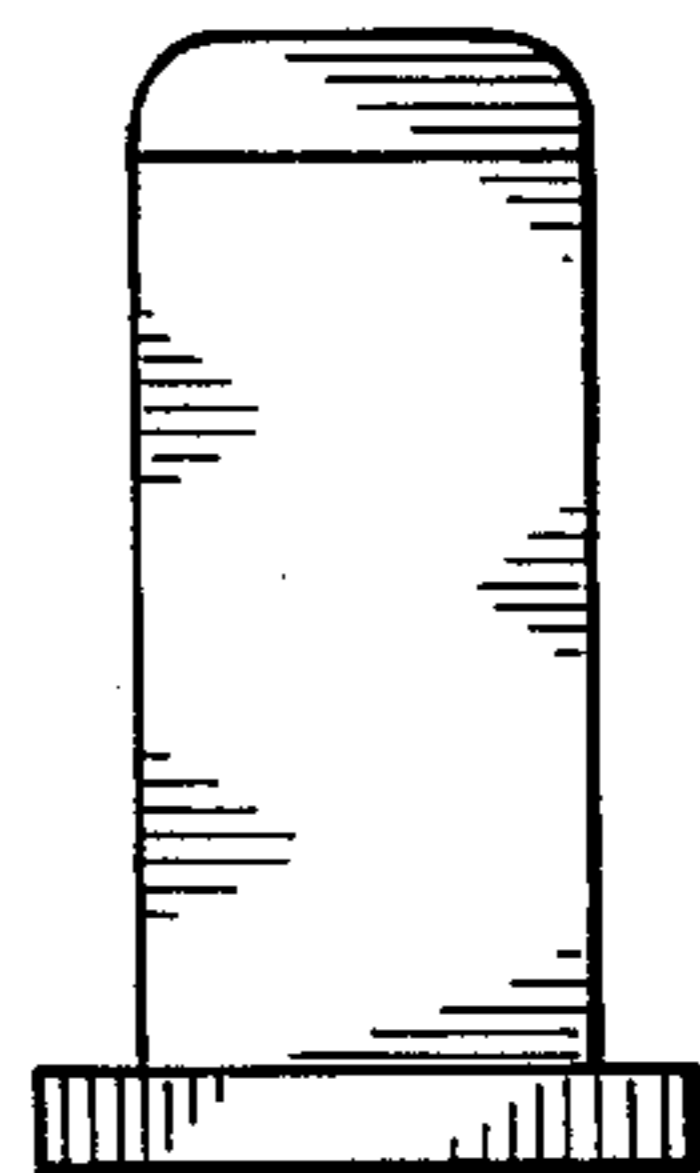


FIG. 5



UNITED STATES PATENT AND TRADEMARK OFFICE  
**CERTIFICATE OF CORRECTION**

PATENT NO. : DES. 302,203  
DATED : July 11, 1989  
INVENTOR(S) : Stanley M. Paul

It is certified that error appears in the above-identified patent and that said Letters Patent is hereby corrected as shown below:

On Title page, [57] please delete "handle" and substitute  
therefor--SPOUT--.

On Title page, [57] please delete "handle" and substitute  
therefor--spout--.

Signed and Sealed this  
Second Day of August, 1994

Attest:



BRUCE LEHMAN

Attesting Officer

Commissioner of Patents and Trademarks