

[54] LAVATORY HANDLE
 [75] Inventor: Stanley M. Paul, Rye, N.Y.
 [73] Assignee: Paul Associates, Ltd., Long Island City, N.Y.
 [**] Term: 14 Years
 [21] Appl. No.: 207,275
 [22] Filed: Jun. 15, 1988

D. 279,213 6/1985 Paul D23/242
 D. 280,232 8/1985 Paul D23/242
 D. 280,437 9/1985 Rademacher D23/242
 D. 287,160 12/1986 Rademacher D23/242
 D. 290,159 6/1987 Jans D23/242
 D. 290,160 6/1987 Paul D23/241
 D. 290,161 6/1987 Paul D23/242
 D. 290,869 7/1987 Paul D23/242
 D. 290,870 7/1987 Paul D23/242
 D. 290,871 7/1987 Paul D23/242
 D. 297,758 9/1988 Paul D23/252

Related U.S. Application Data

[62] Division of Ser. No. 925,407, Oct. 31, 1986.
 [52] U.S. Cl. D23/252
 [58] Field of Search D23/238-243,
 D23/250-254; 4/191, 192; 137/801

Primary Examiner—James R. Largen
 Attorney, Agent, or Firm—Darby & Darby

[57] CLAIM

The ornamental design for a lavatory handle, as shown and described.

[56] References Cited

U.S. PATENT DOCUMENTS

D. 265,229 6/1982 Paul D23/242
 D. 265,230 6/1982 Paul D23/241
 D. 265,231 6/1982 Paul D23/241
 D. 265,580 7/1982 Paul D23/242
 D. 271,514 11/1983 Paul D23/242
 D. 275,985 10/1984 Stairs, Jr. et al. D23/252
 D. 278,458 4/1985 Paul D23/242

DESCRIPTION

FIG. 1 is a top perspective view of a lavatory handle showing my new design;
 FIG. 2 is a top plan view thereof;
 FIG. 3 is a left side elevational view thereof, the right side being a mirror image of the left side shown;
 FIG. 4 is a front elevational view thereof, the near view being a mirror image of the front view shown; and
 FIG. 5 is a bottom plan view thereof.

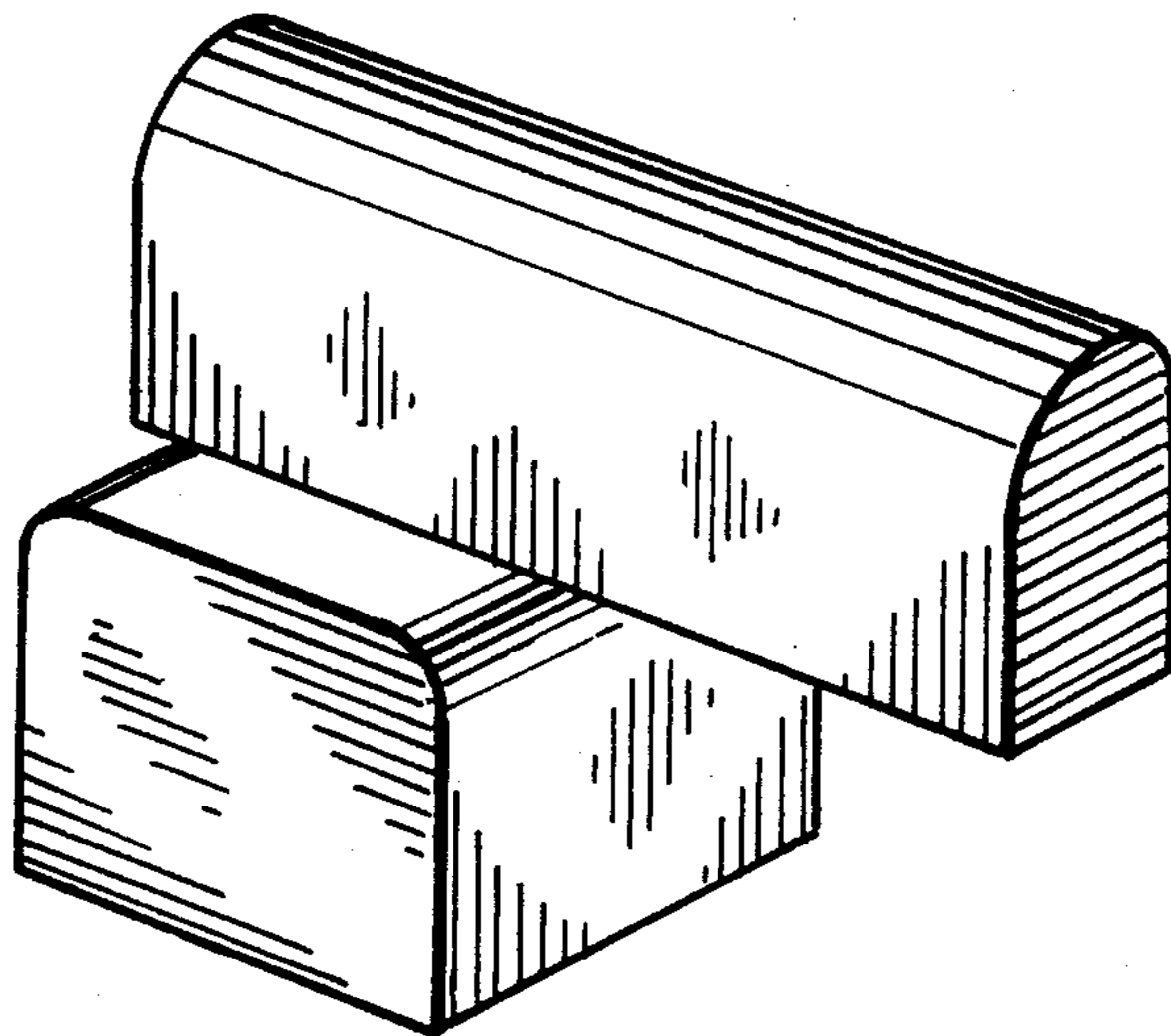


FIG. 1

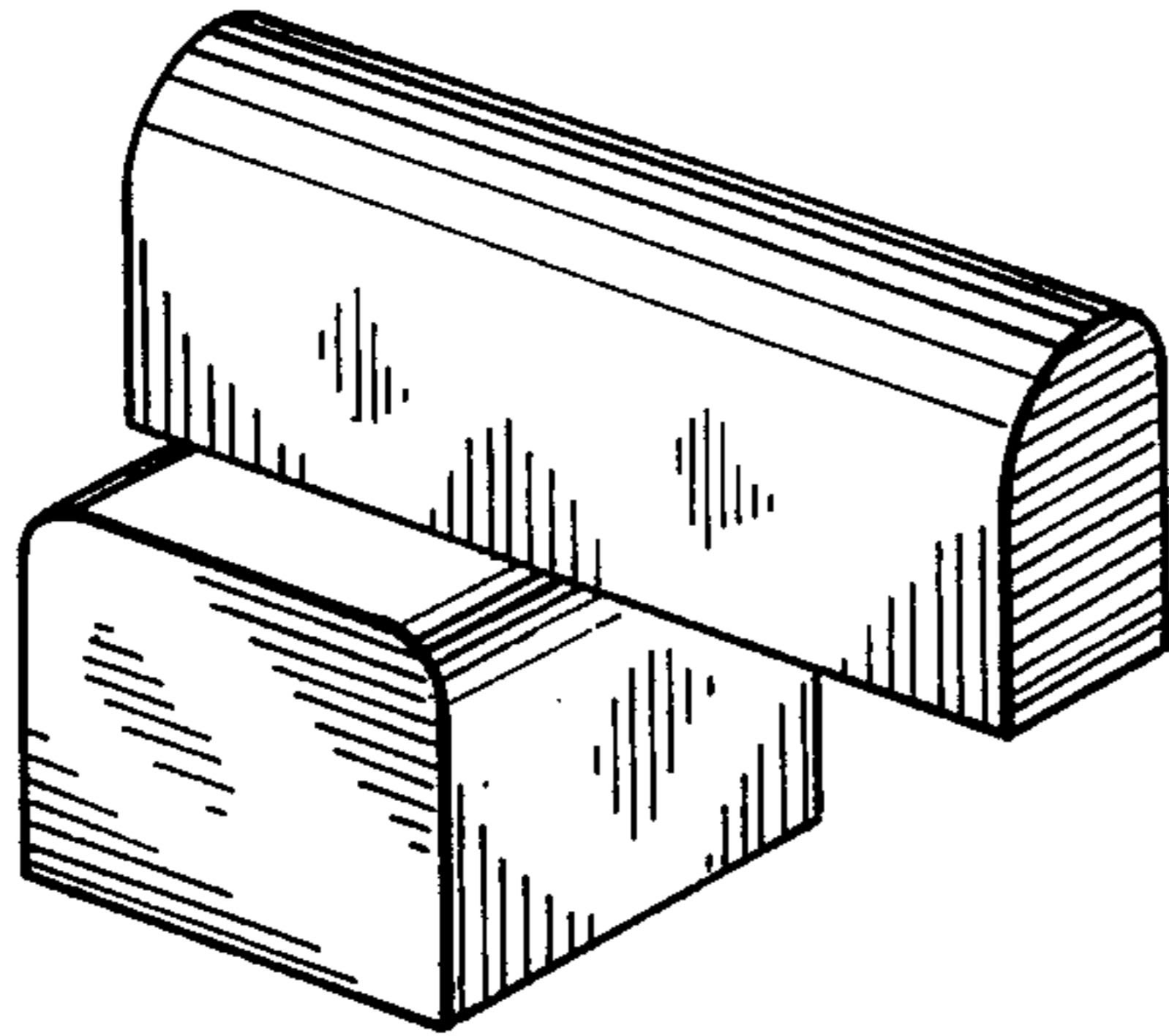


FIG. 2

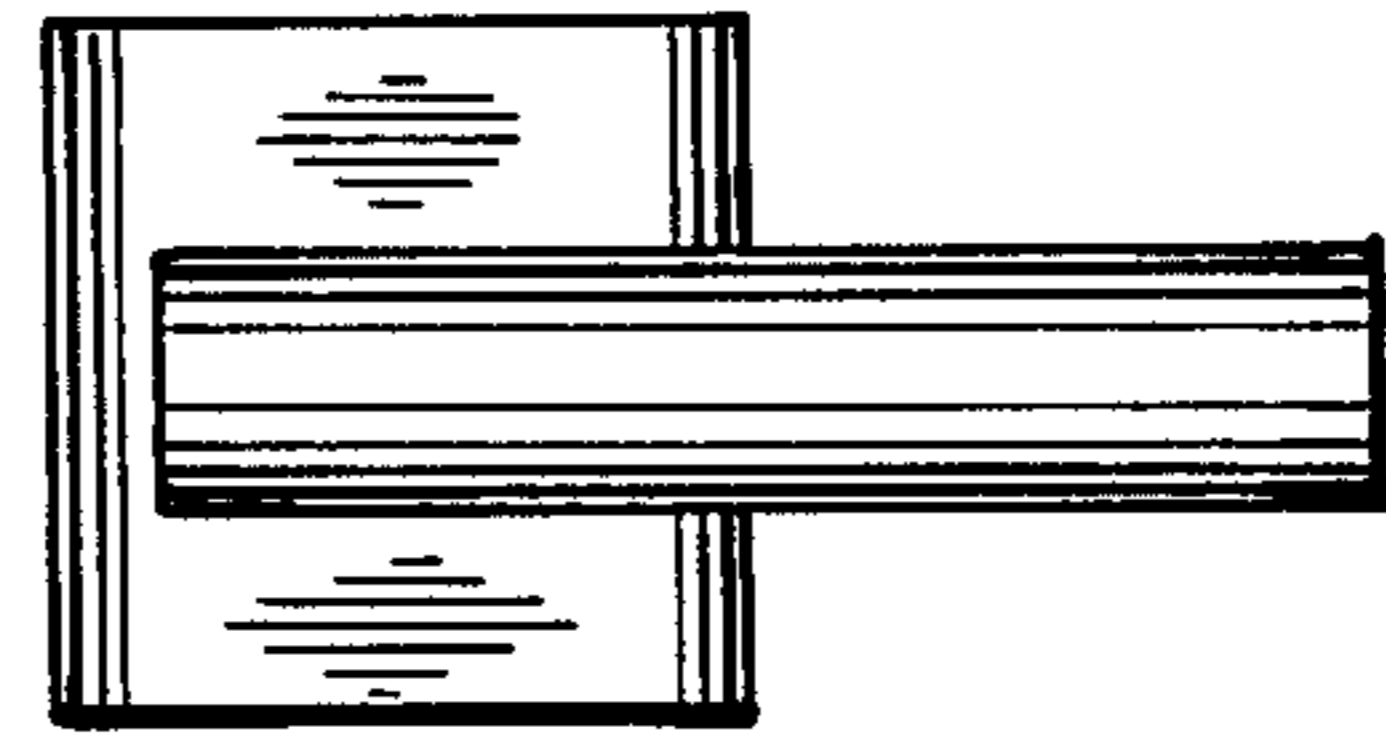


FIG. 3

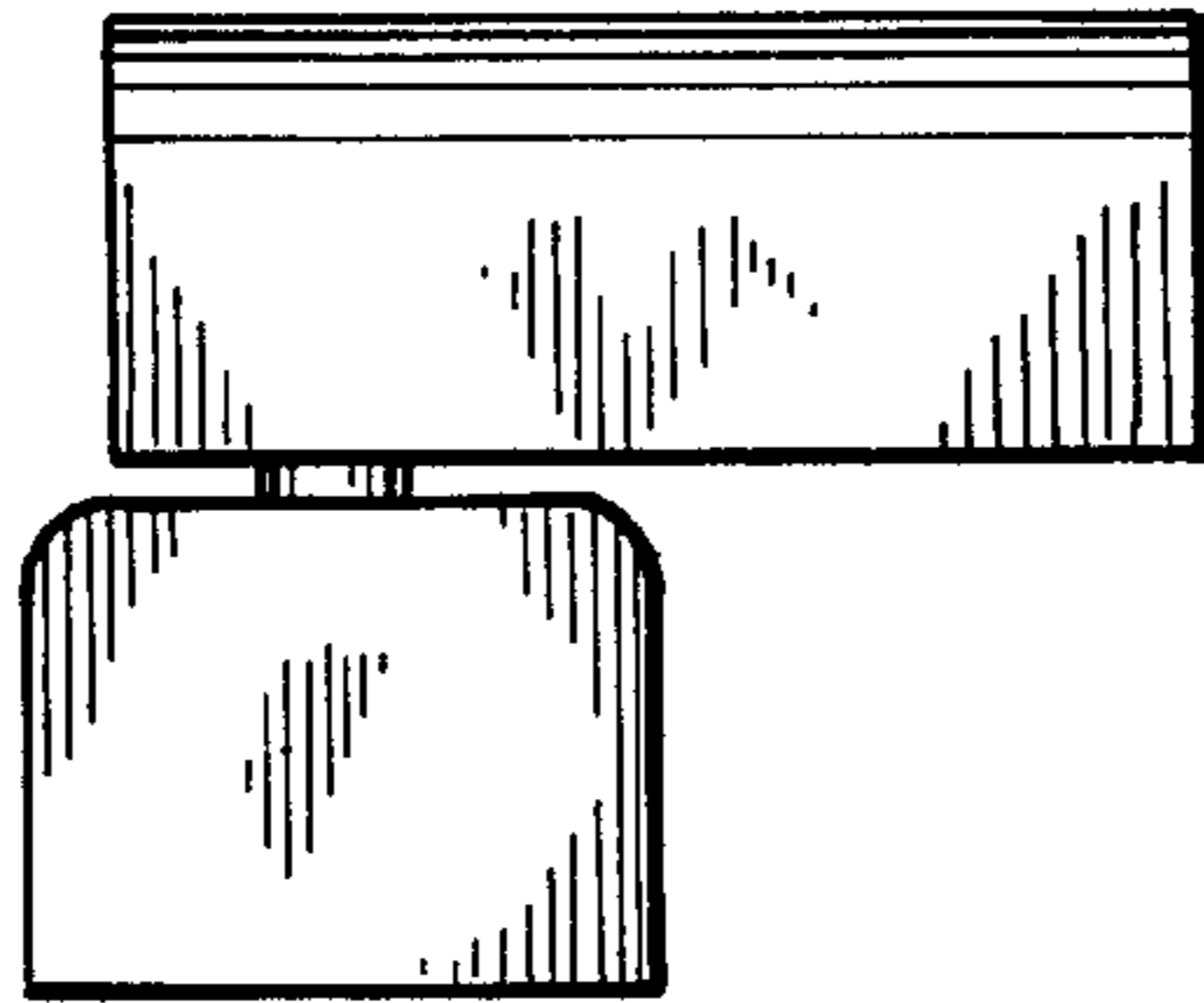


FIG. 4

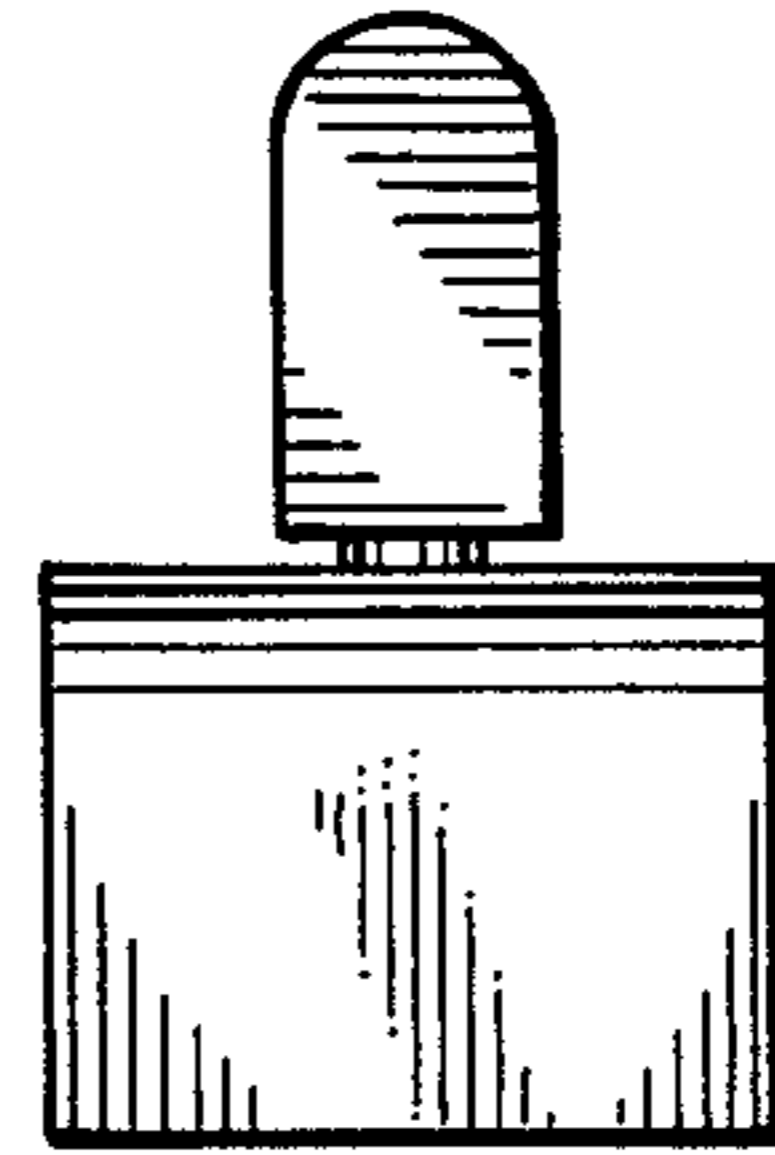


FIG. 5

