

[54] **EXERCISE WEIGHT**

[76] **Inventor: Zeki Orak, 68 Cumberland St., San Francisco, Calif. 94110**

[**] **Term: 14 Years**

[21] **Appl. No.: 916,209**

[22] **Filed: Oct. 7, 1986**

[52] **U.S. Cl. D21/197**

[58] **Field of Search D21/191-199;
 272/67, 117, 122, 143**

[56] **References Cited**

U.S. PATENT DOCUMENTS

D. 274,283	6/1984	Wright	D21/197
D. 277,972	3/1985	Manzi	D21/198
1,047,212	12/1912	Hamilton .	
1,333,005	3/1920	Warner .	
1,623,869	4/1927	Giraldi	D21/198
2,466,116	4/1949	Marong	46/51
2,819,081	1/1958	Touraine	272/67
3,332,166	7/1967	Alexander	46/220
3,901,503	8/1975	Klose	272/57
4,029,312	6/1977	Wright	272/123
4,356,915	11/1982	Phillips	206/315
4,480,831	11/1984	Muller-Deinhardt	272/128
4,632,391	12/1986	Orak	272/128

FOREIGN PATENT DOCUMENTS

2519214	4/1975	Fed. Rep. of Germany .	
848041	12/1938	France	20/1
1208935	12/1958	France	29/63
44536B3/5	11/1978	U.S.S.R.	272/67

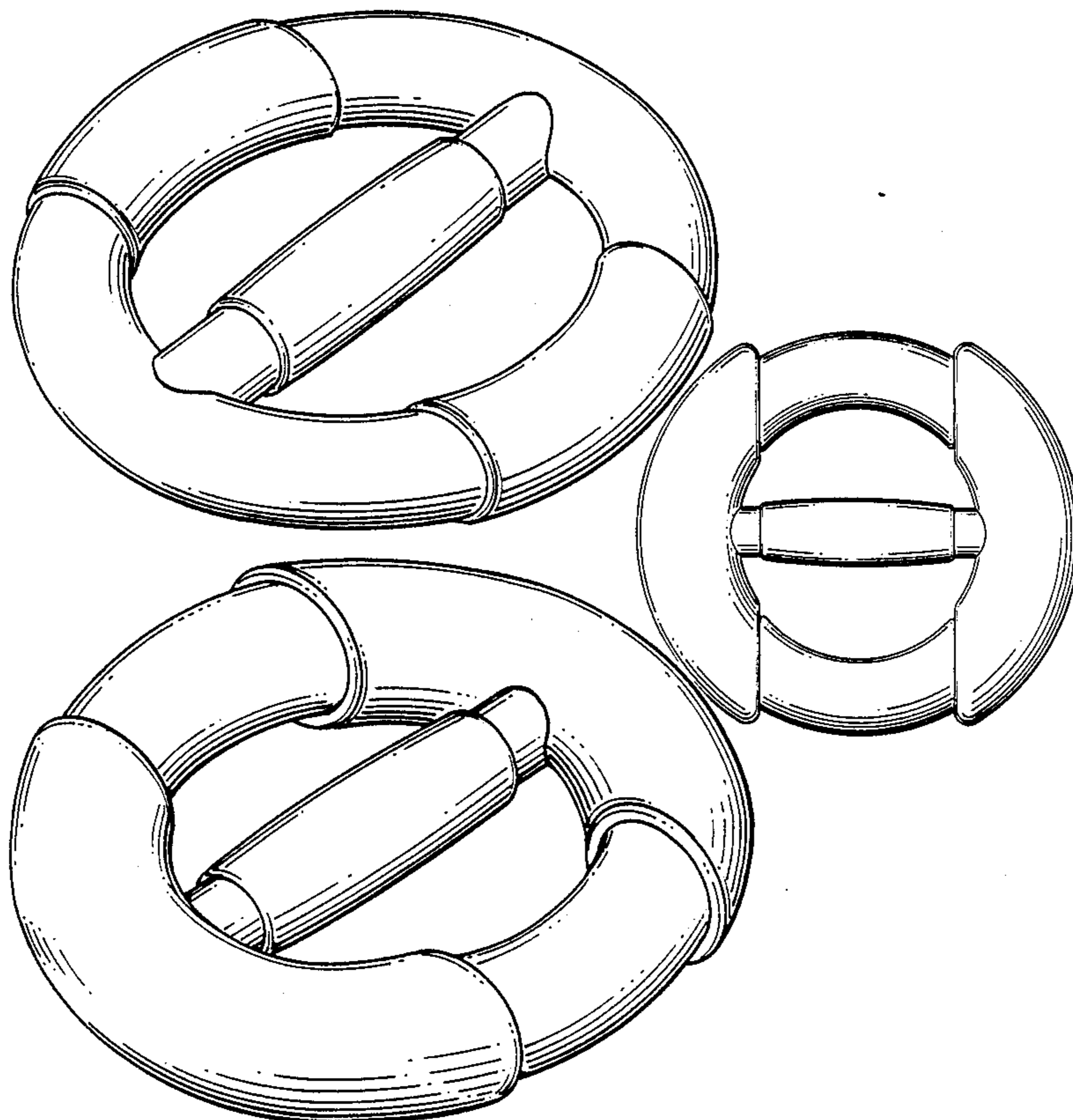
Primary Examiner—Charles A. Rademaker
Attorney, Agent, or Firm—Limbach, Limbach & Sutton

[57] **CLAIM**

The ornamental design for an exercise weight, as shown and described.

DESCRIPTION

FIG. 1 is a perspective view of an exercise weight showing my new design;
 FIG. 2 is a side elevational view thereof, the side opposite being identical;
 FIG. 3 is a top plan view thereof, the side opposite being identical;
 FIG. 4 is an end elevational view thereof, the end opposite being identical;
 FIG. 5 is a perspective view of a modified embodiment of the design shown in FIGS. 1 through 4;
 FIG. 6 is a side elevational view thereof, the side opposite being identical;
 FIG. 7 is a top plan view thereof, the side opposite being identical; and
 FIG. 8 is an end elevational view thereof, the end opposite being identical.



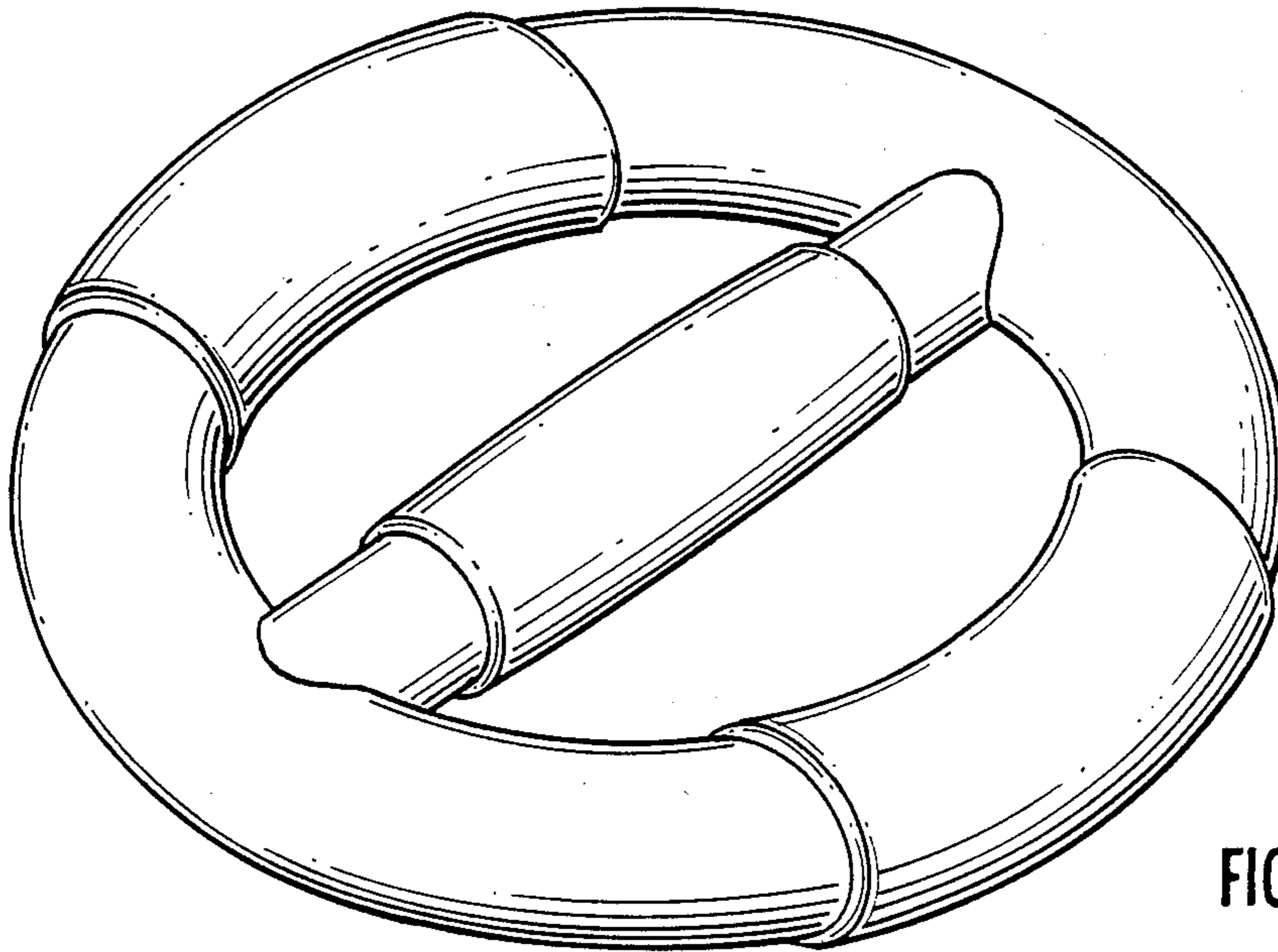


FIG. 1

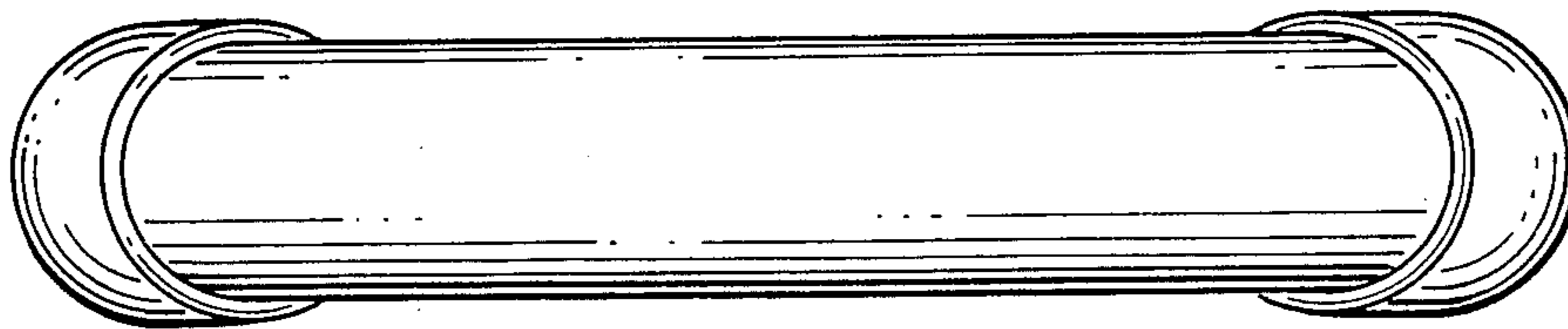


FIG. 2

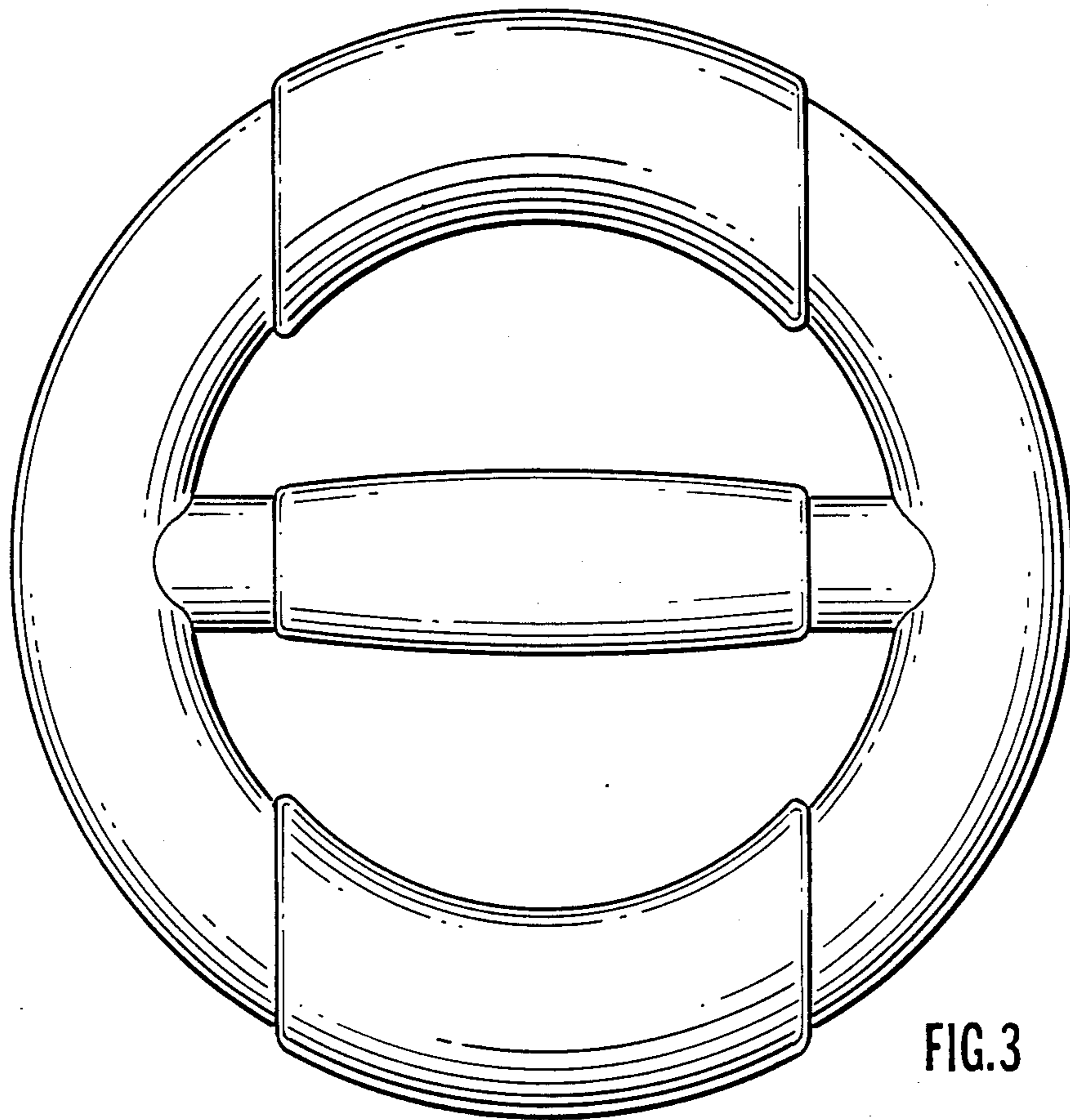


FIG.3

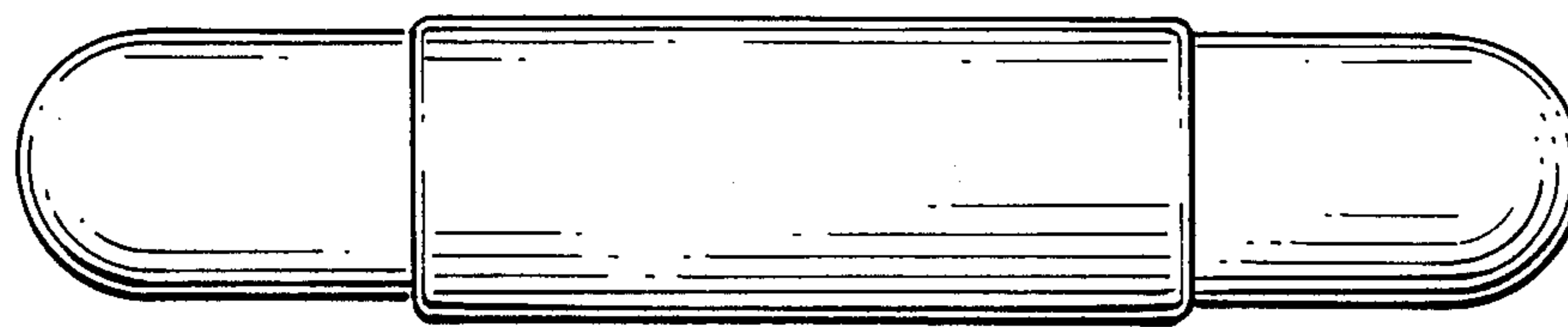


FIG.4

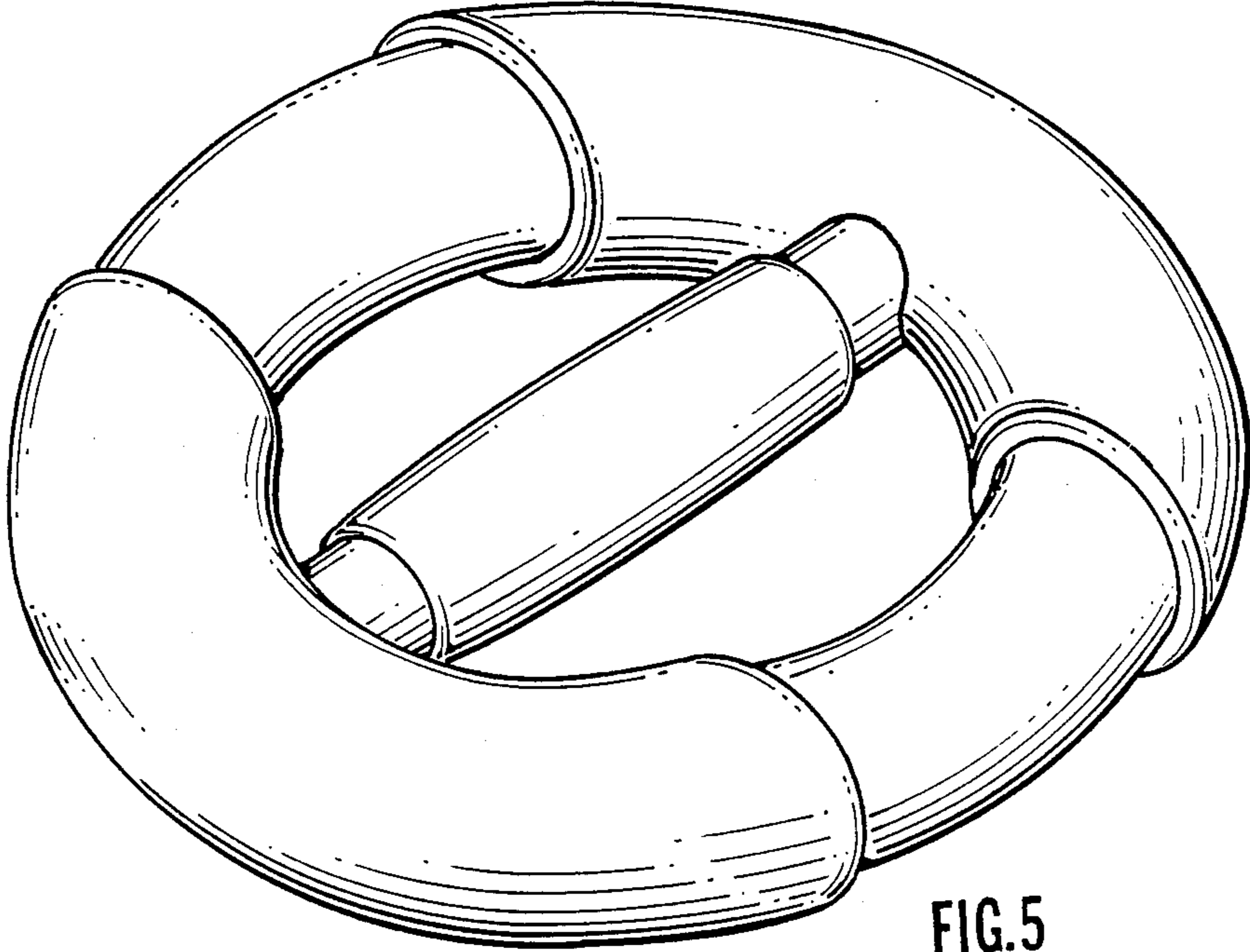


FIG. 5

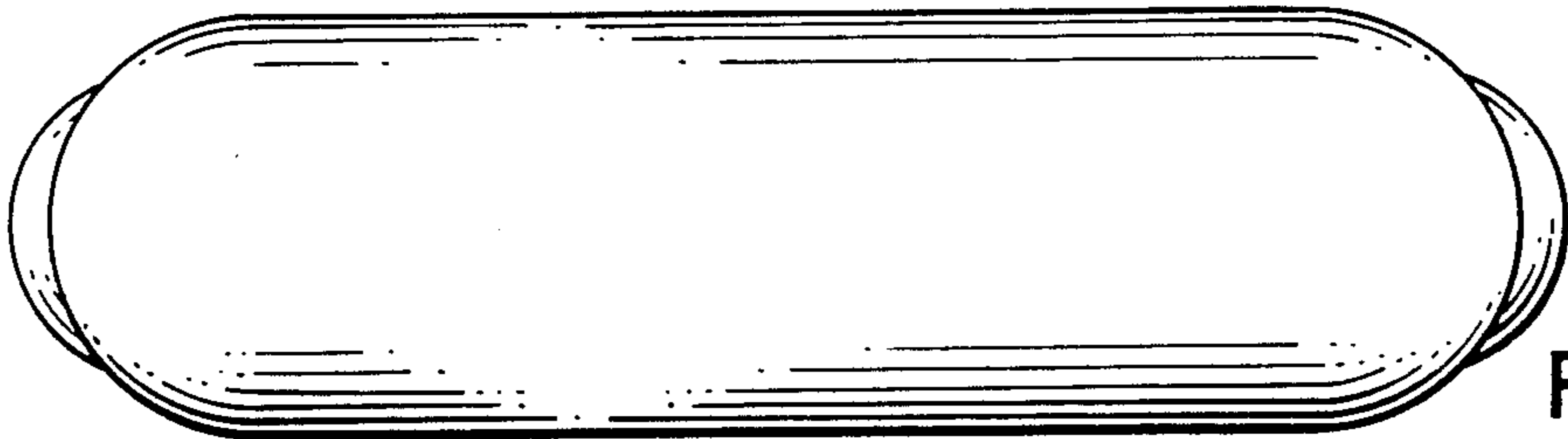


FIG. 6

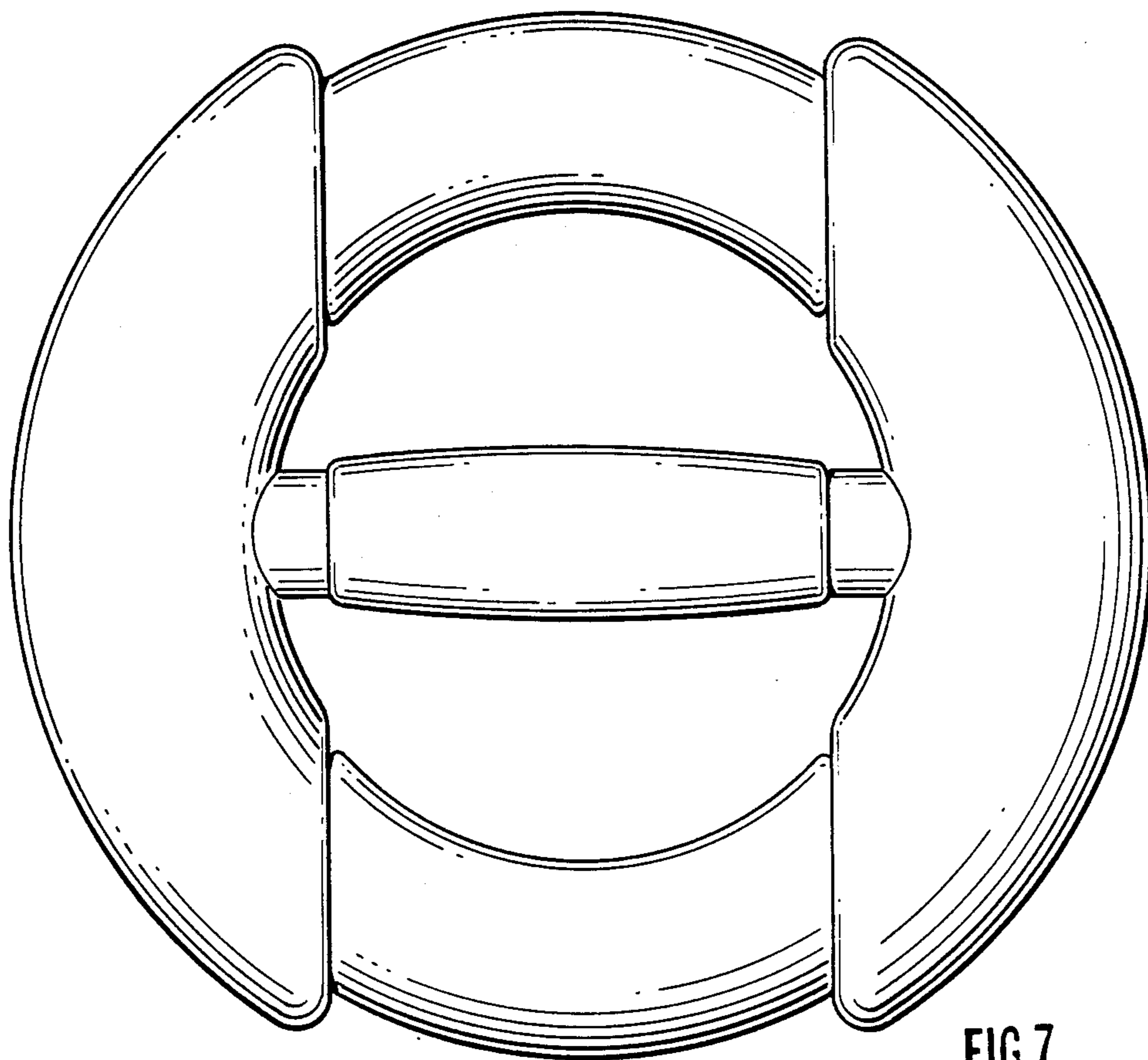


FIG. 7

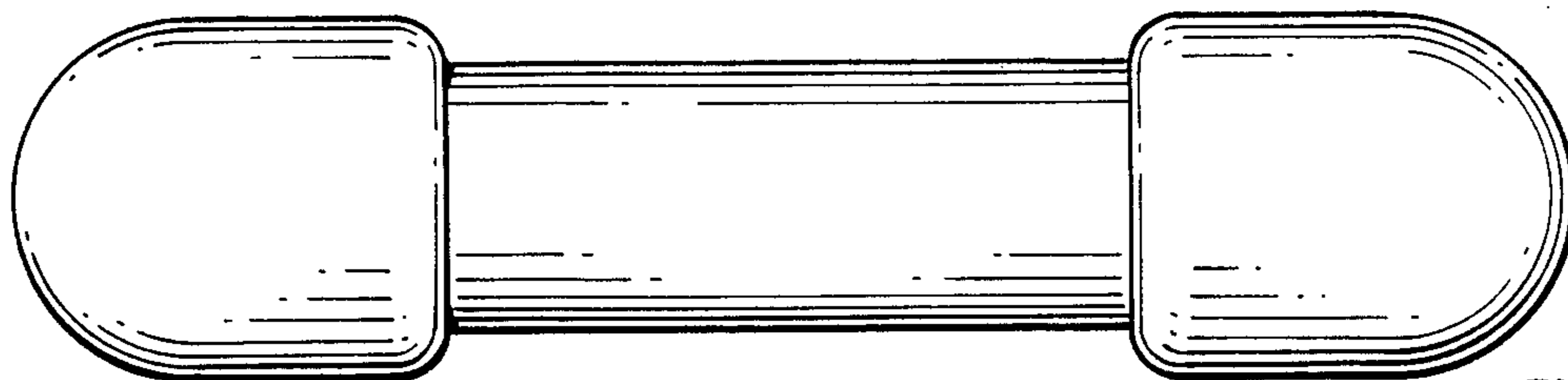


FIG. 8