

[54] MULTIPLE-STATION FITNESS CENTER

[75] Inventor: Richard D. Charnitski, Mission Viejo, Calif.

[73] Assignee: Heart Rate, Inc., Costa Mesa, Calif.

[\*\*] Term: 14 Years

[21] Appl. No.: 927,412

[22] Filed: Nov. 4, 1986

[52] U.S. Cl. .... D21/191

[58] Field of Search ..... D21/191-199;  
182/120; D25/62-65; 272/96, 100, 101, 141,  
145, 144, 67

[56] References Cited

U.S. PATENT DOCUMENTS

277,399	5/1883	Worthington	.....	D21/191
D. 292,728	11/1987	Wilkinson	.....	D21/191
3,118,668	1/1964	Callahan	.....	D21/197
3,970,302	7/1976	McFee	.....	272/130
4,726,581	2/1988	Chang	.....	272/130

OTHER PUBLICATIONS

Flyer entitled, "Versa Climber . . . A Radically NEW Approach to Total Fitness.", published by Heart Rate

Inc., 3001 Redhill Avenue, Suite 106, Costa Mesa, CA 92626 (714)850-9716.

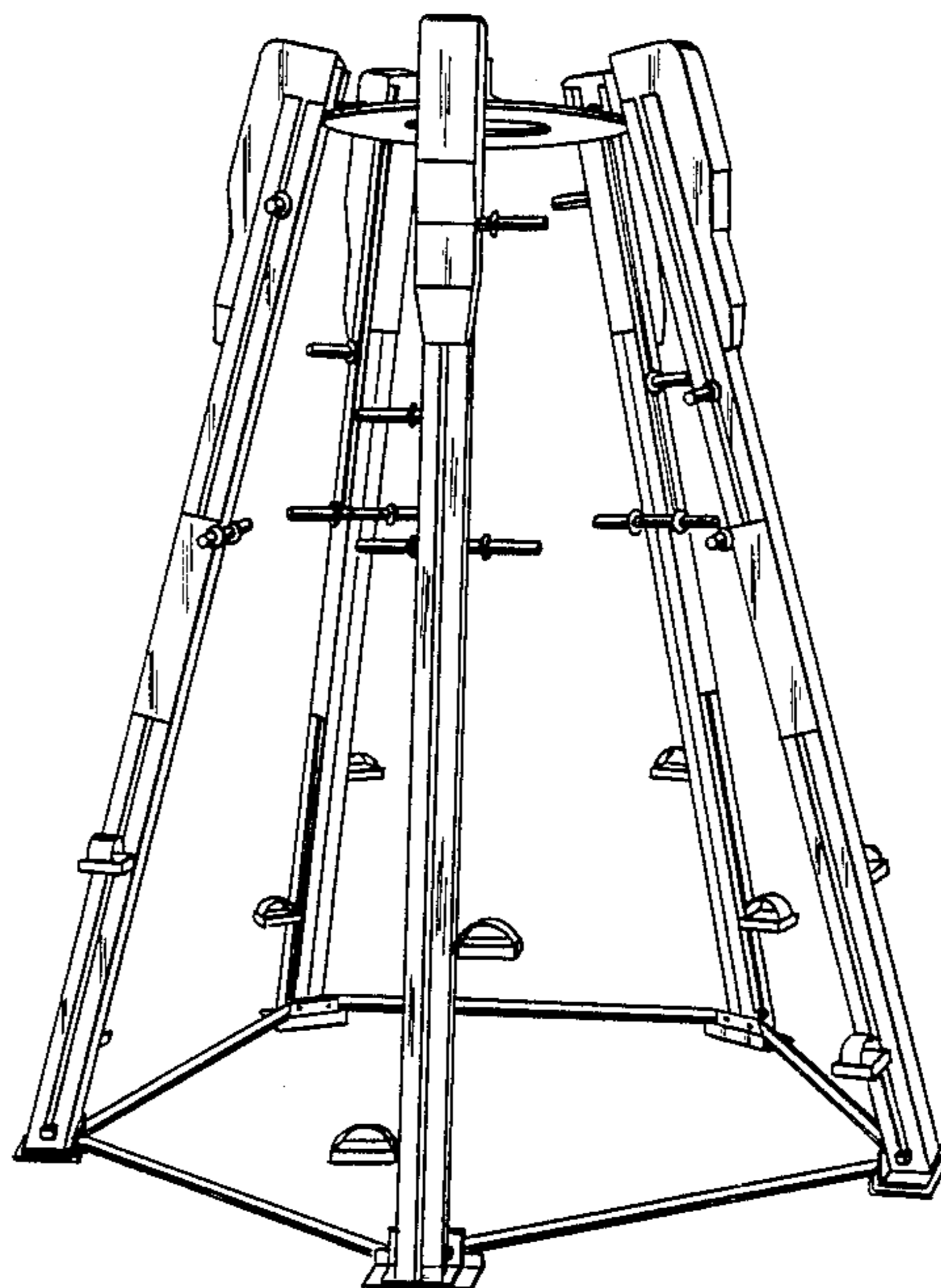
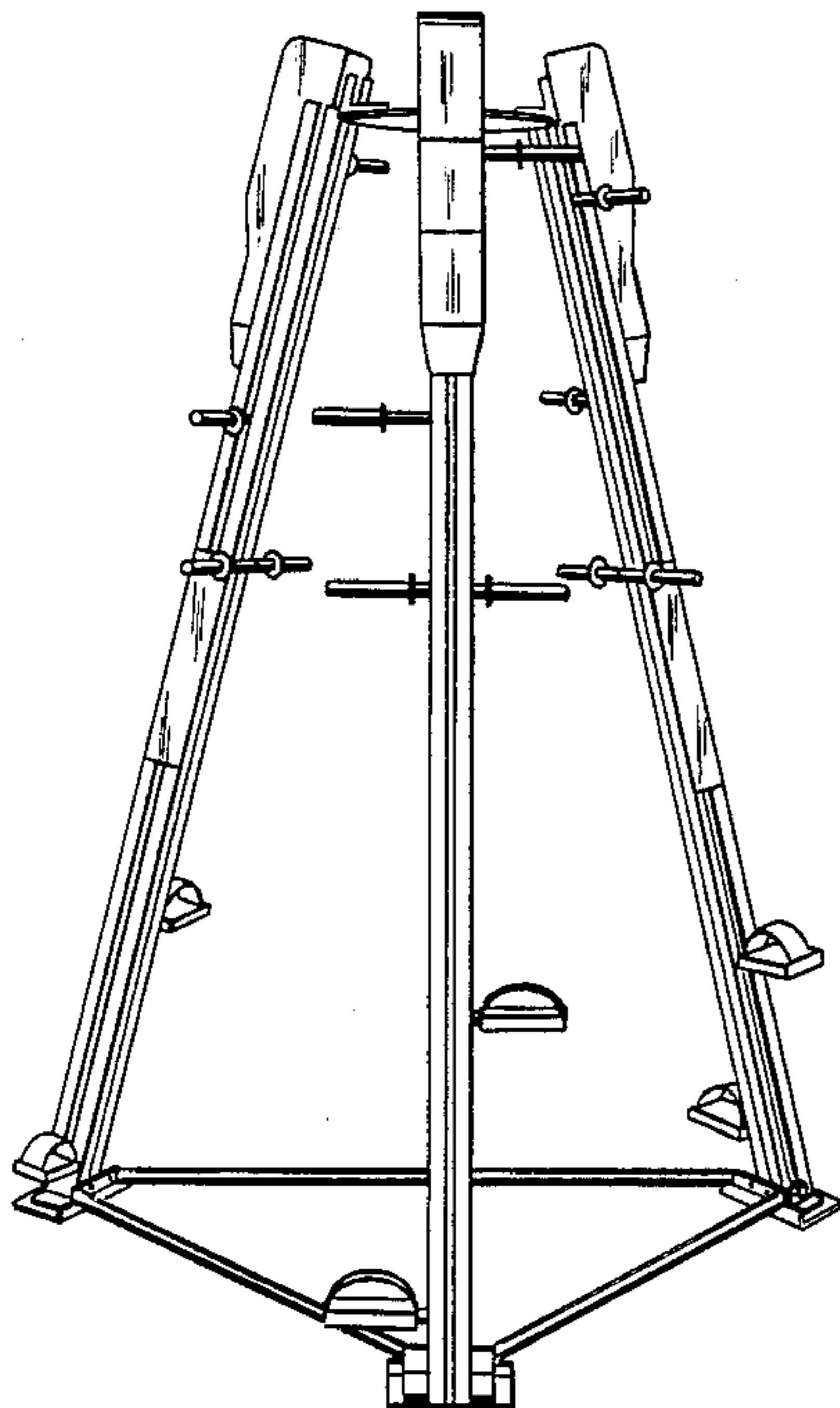
Primary Examiner—Charles A. Rademaker  
Attorney, Agent, or Firm—Knobbe, Martens, Olson & Bear

[57] CLAIM

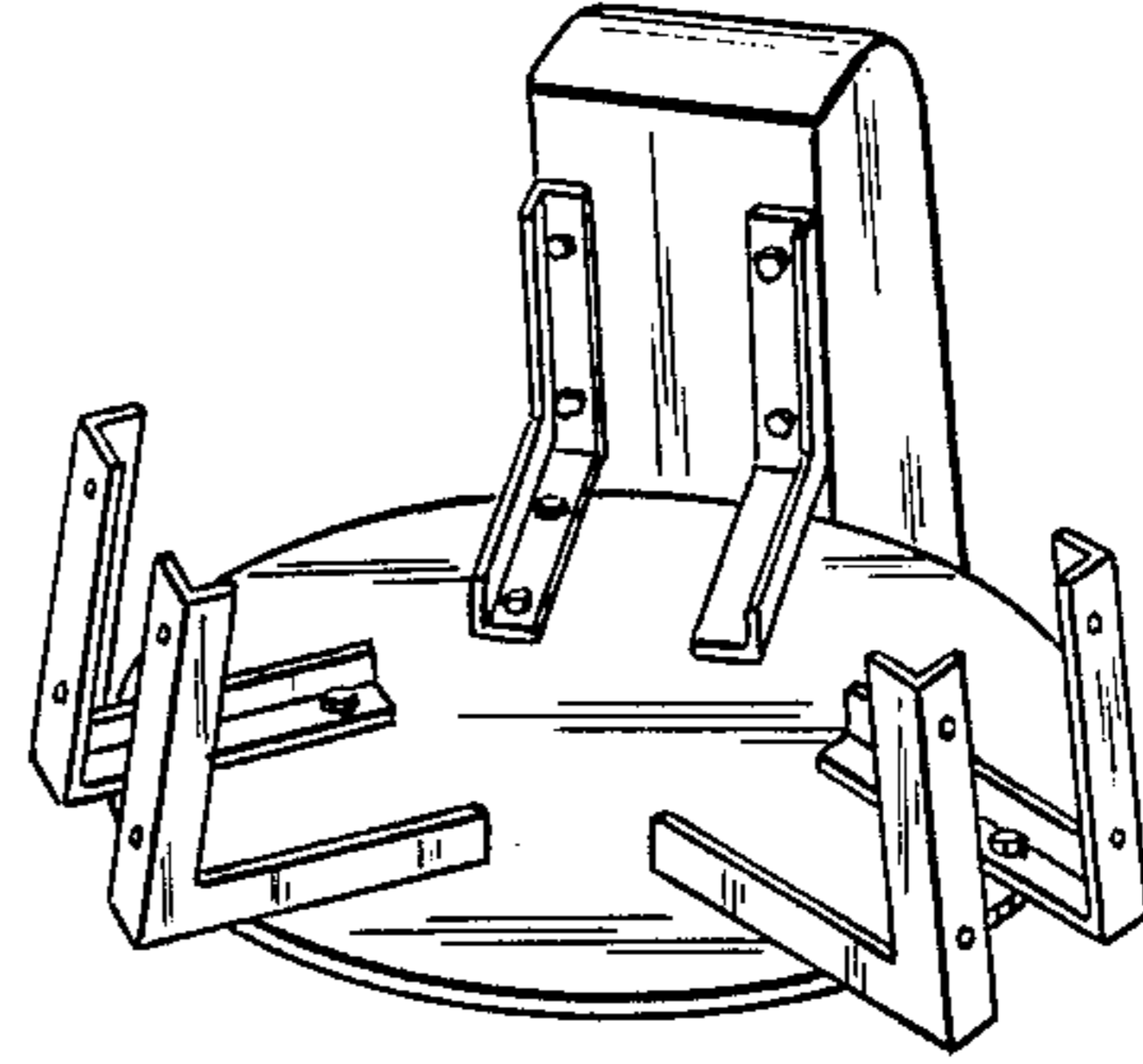
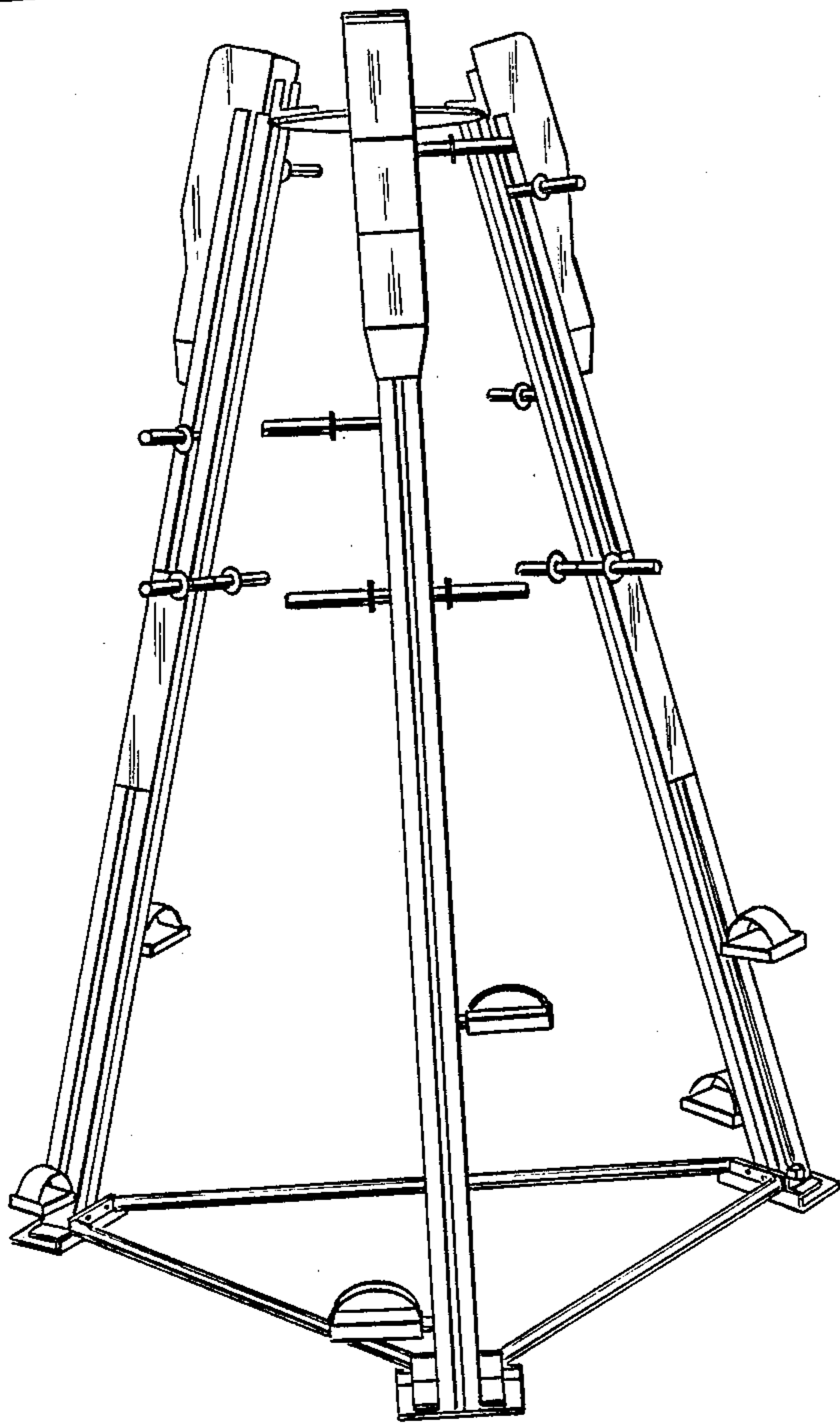
The ornamental design for a multiple-station fitness center, as shown and described.

DESCRIPTION

FIG. 1 is a perspective view of a multiple-station fitness center showing my new design; FIG. 2 is a bottom plan view thereof shown on a slightly reduced scale; FIG. 3 is a top perspective view thereof shown partially in fragment and on an enlarged scale; FIG. 4 is a perspective view of one of corners shown partially in fragment; FIG. 5 is a perspective view of a modified form of the design shown in FIGS. 1 through 4; FIG. 6 is a bottom plan view thereof shown on a slightly reduced scale; FIG. 7 is a top perspective view thereof shown partially in fragment and on an enlarged scale; and FIG. 8 is a perspective view of one of the corners shown partially in fragment.

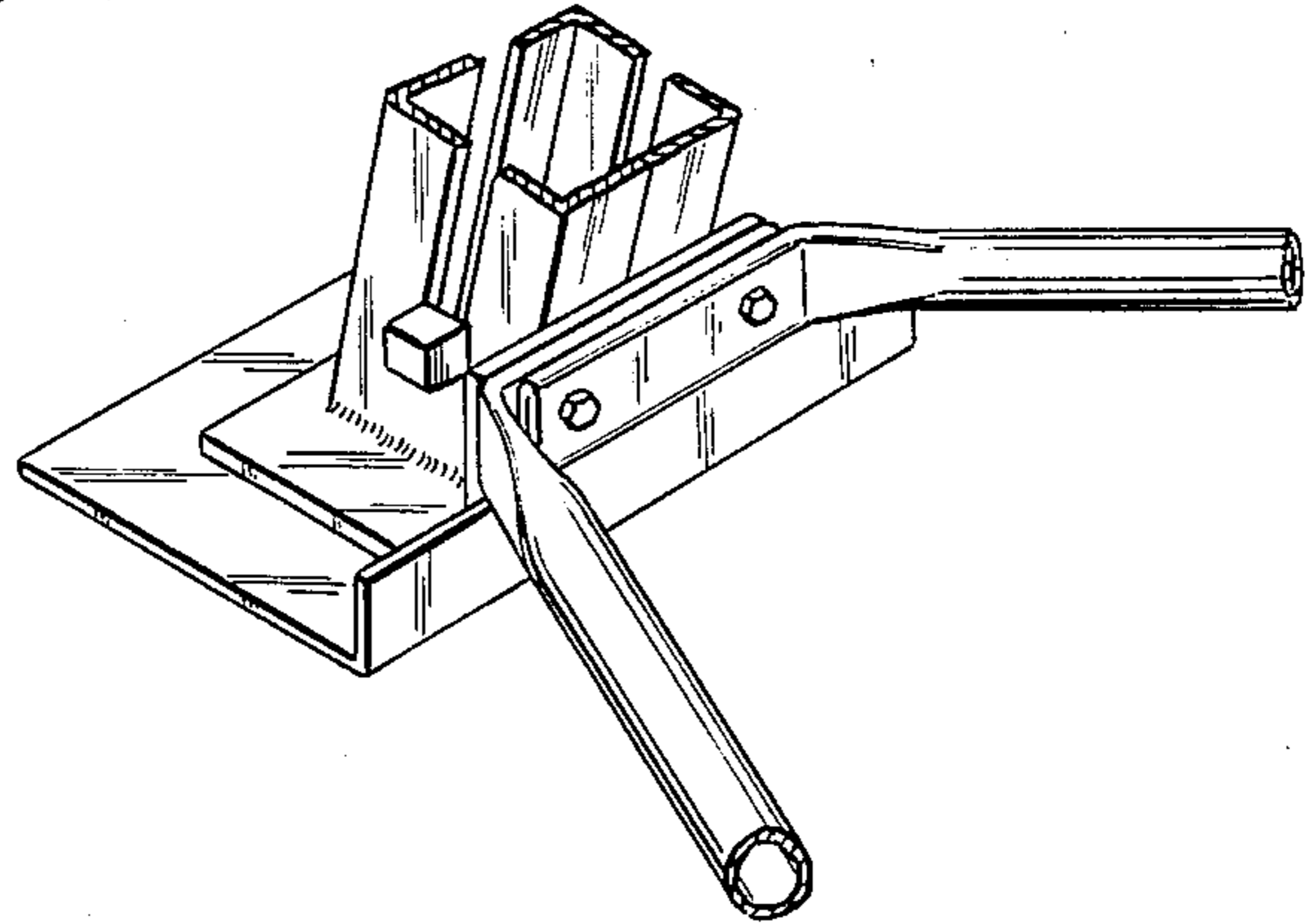


*Fig. 1*

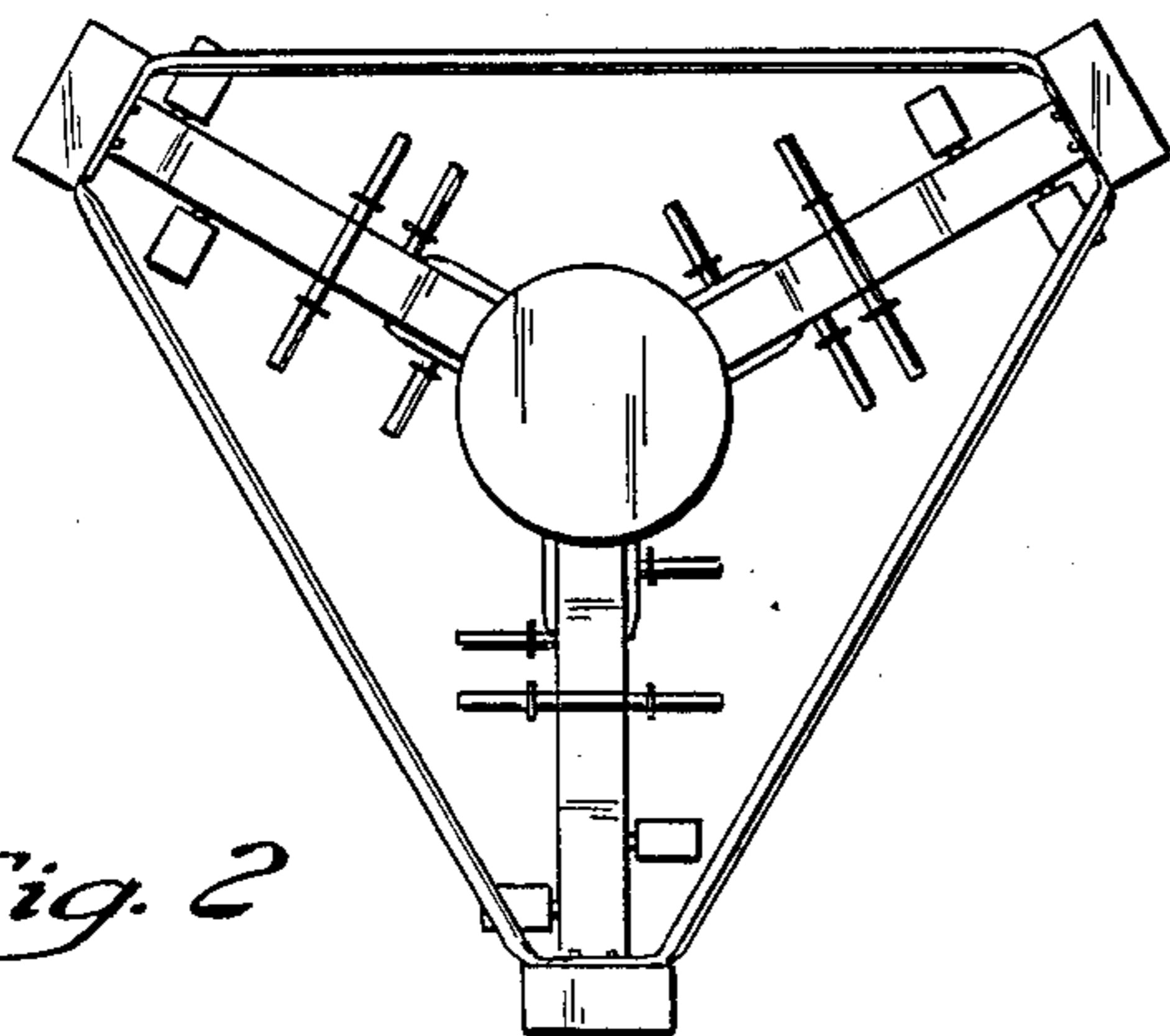


*Fig. 3*

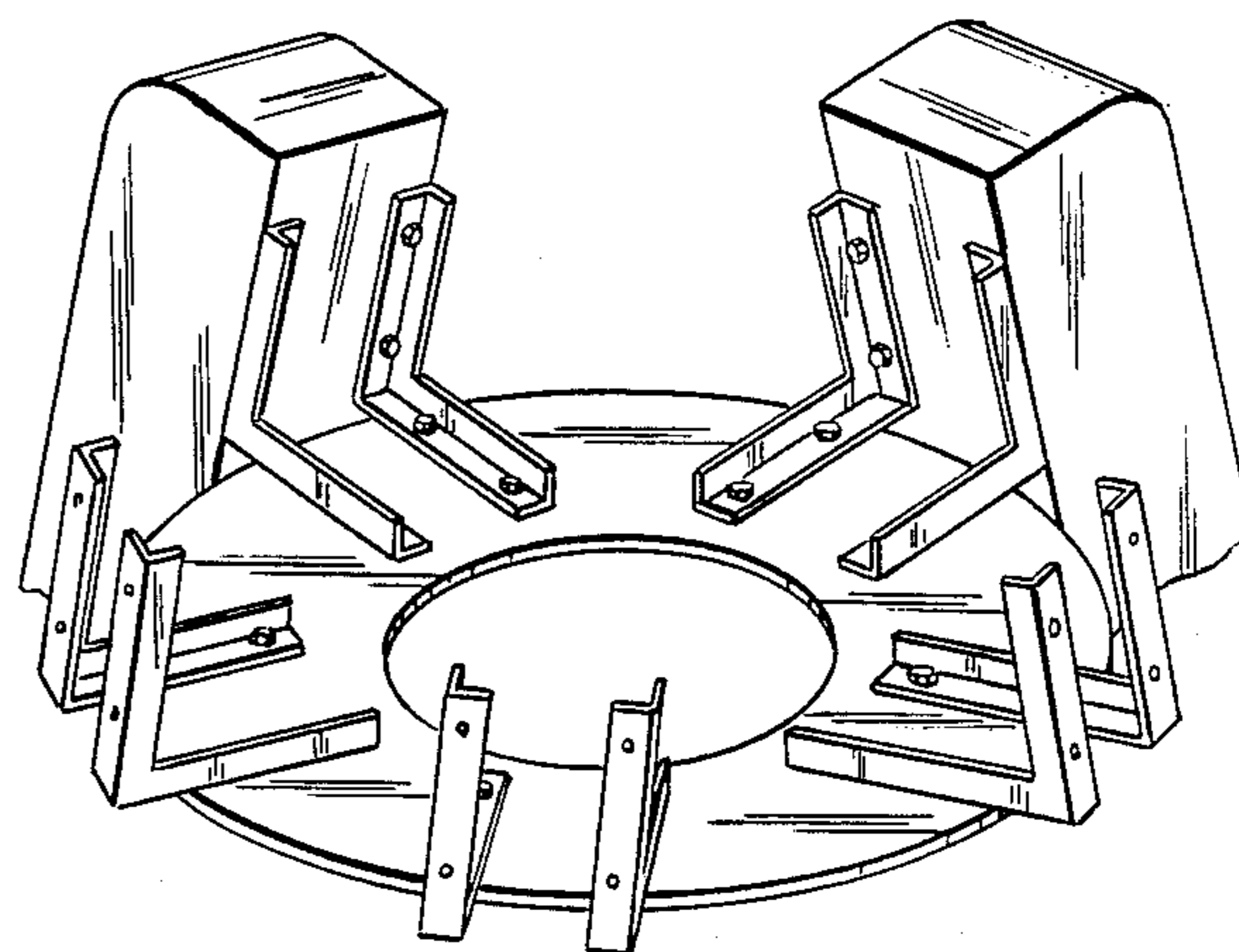
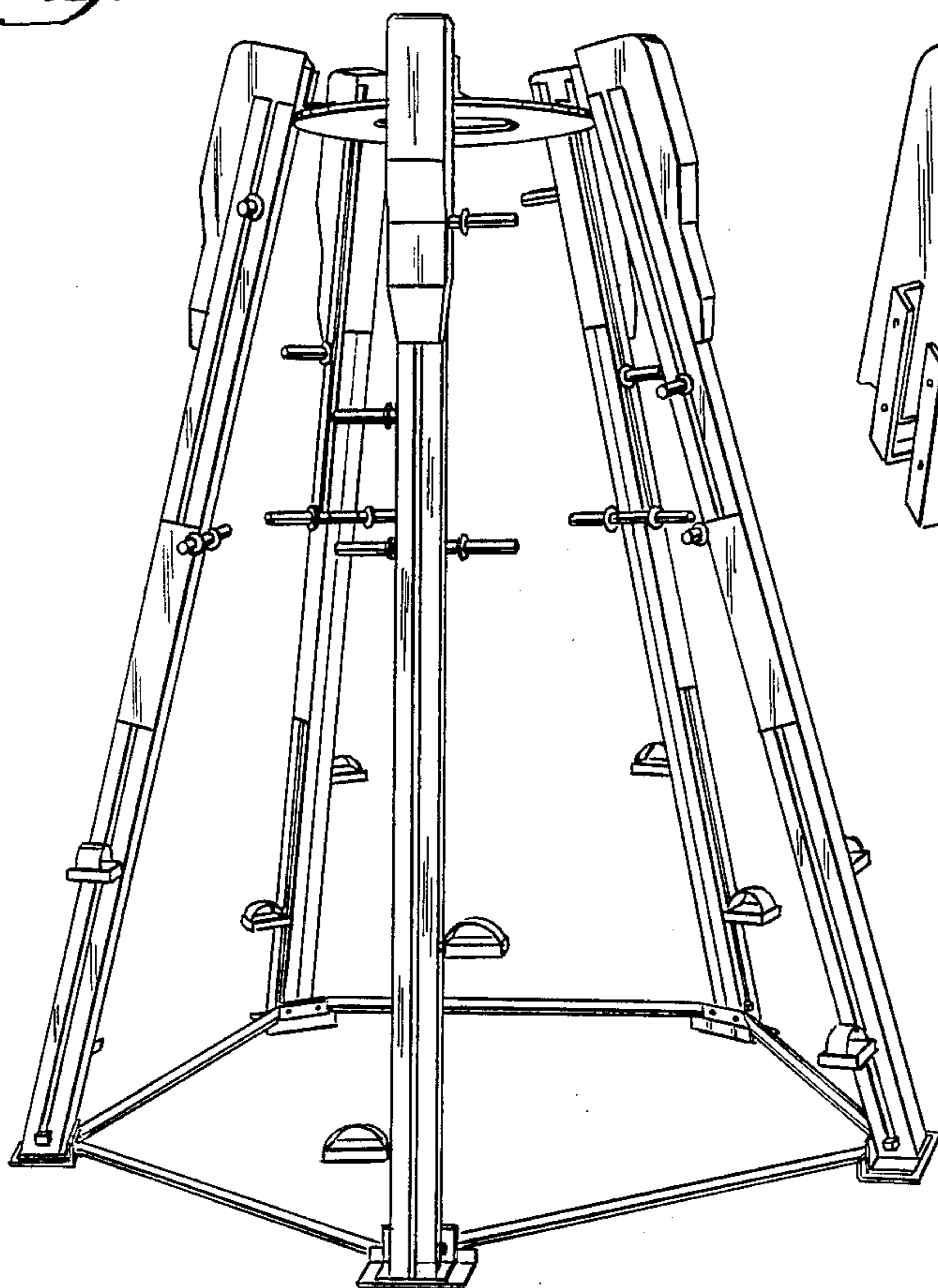
*Fig. 4*



*Fig. 2*

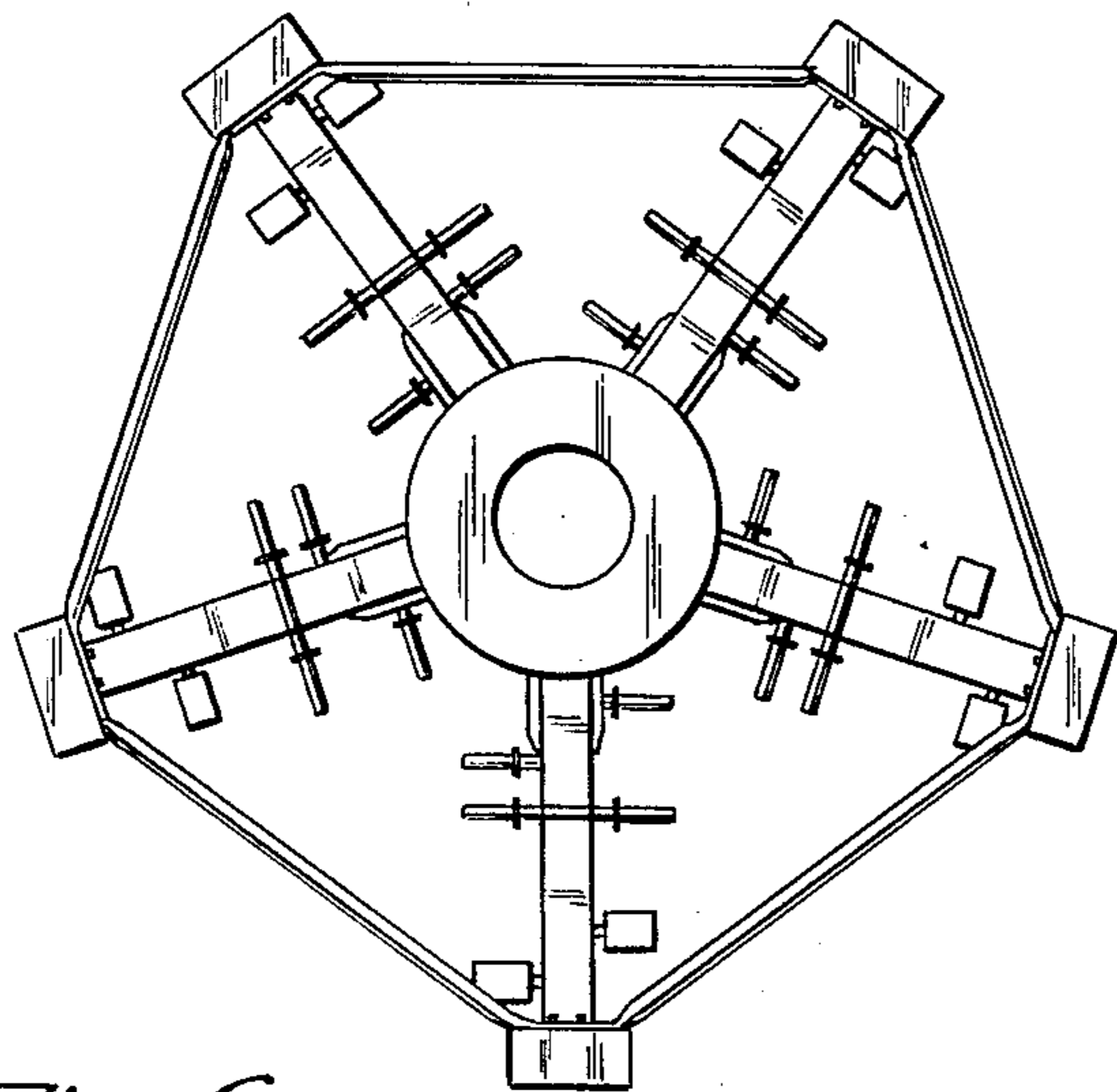
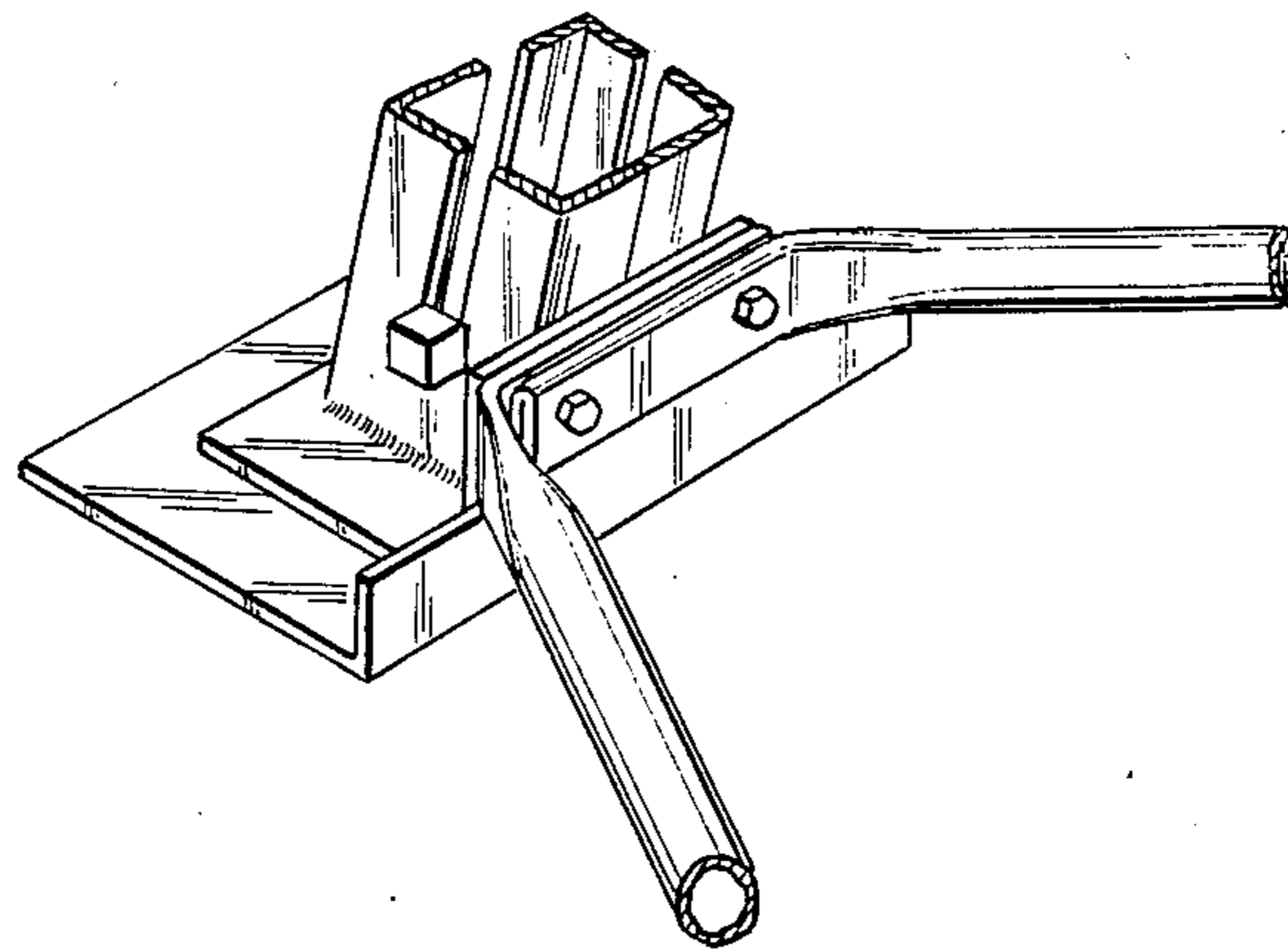


*Fig. 5*



*Fig. 7*

*Fig. 8*



*Fig. 6*