

# United States Patent [19]

Thomson et al.

[11] Patent Number: **Des. 302,193**

[45] Date of Patent: **\*\* Jul. 11, 1989**

[54] TOY TUGBOAT

[75] Inventors: **Harry S. Thomson, Richmond; David M. Raffo; John A. Pape, both of Hitchin, all of England**

[73] Assignee: **Hestair Kiddicraft Limited, Bristol, England**

[\*\*] Term: **14 Years**

[21] Appl. No.: **43,987**

[22] Filed: **Apr. 29, 1987**

[30] **Foreign Application Priority Data**

Nov. 4, 1986 [GB] United Kingdom ..... 1037805

[52] U.S. Cl. .... **D21/130**

[58] Field of Search ..... D21/130; 446/153, 160, 446/163, 164, 165; D12/300, 315, 316

[56] **References Cited**

**U.S. PATENT DOCUMENTS**

D. 160,499	10/1950	Hughes	.....	D21/130
D. 211,036	5/1968	Thornell	.....	D21/130
D. 247,384	2/1978	Nakao	.....	D21/130
D. 262,563	1/1982	Reiling	.....	D21/130
3,801,071	4/1974	Barron	.....	D21/130

*Primary Examiner*—Charles A. Rademaker

[57] **CLAIM**

The ornamental design for a toy tugboat, as shown and described.

**DESCRIPTION**

FIG. 1 is a front elevational view of a toy tugboat embodying our new design.

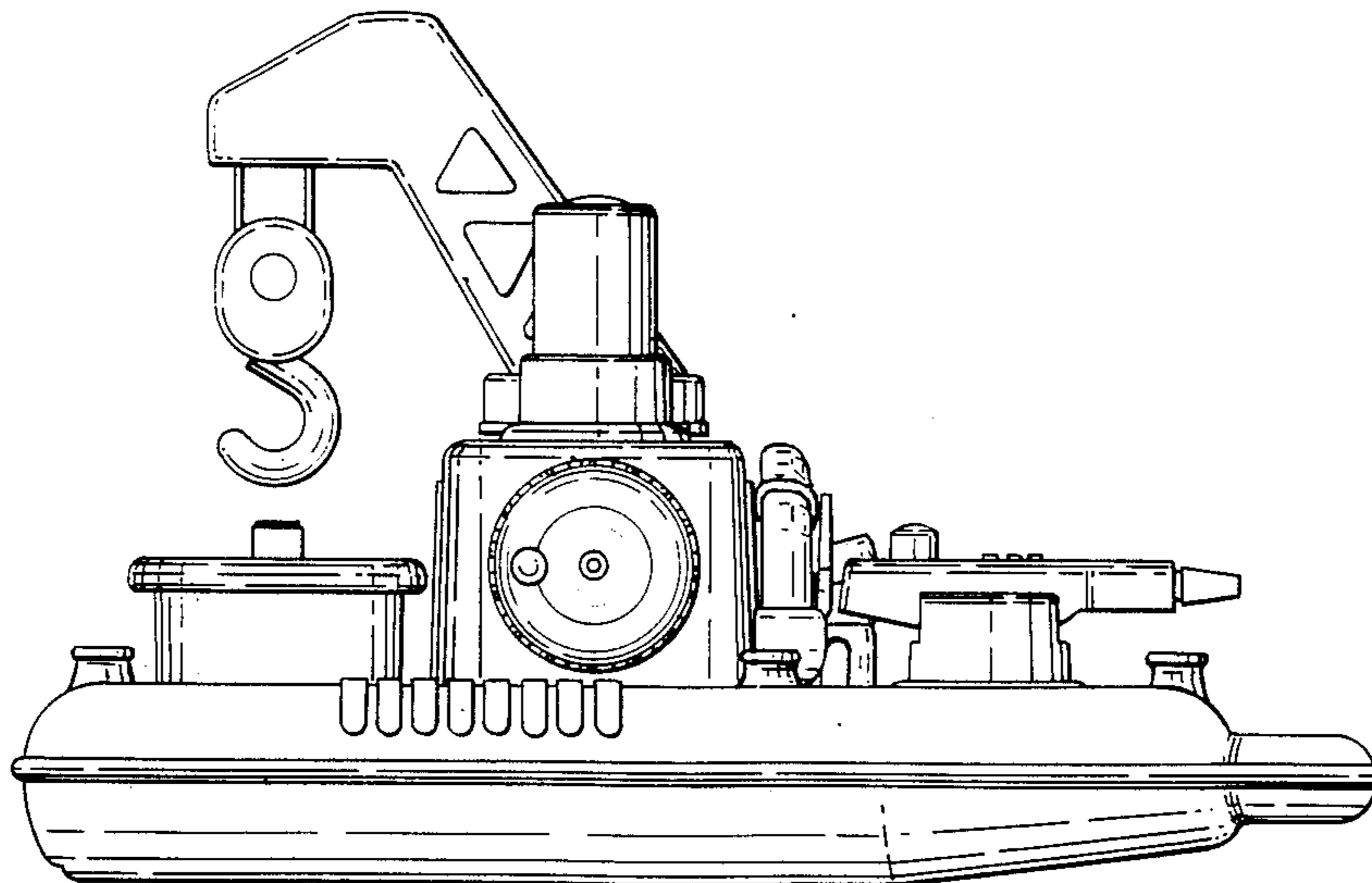
FIG. 2 is a rear elevational view thereof.

FIG. 3 is a side elevational view thereof.

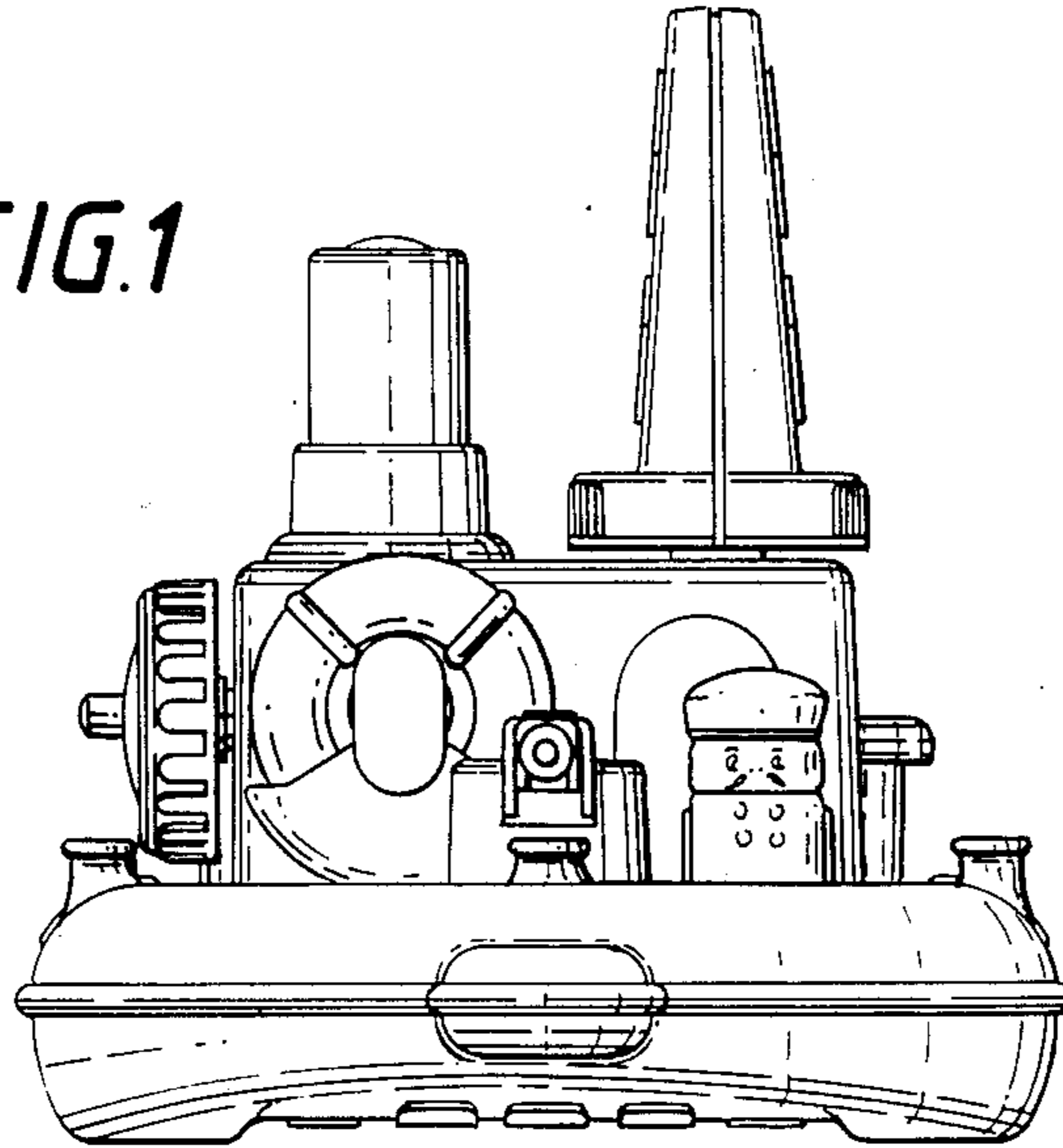
FIG. 4 is a side elevational view of the opposite side thereof.

FIG. 5 is a top plan view thereof.

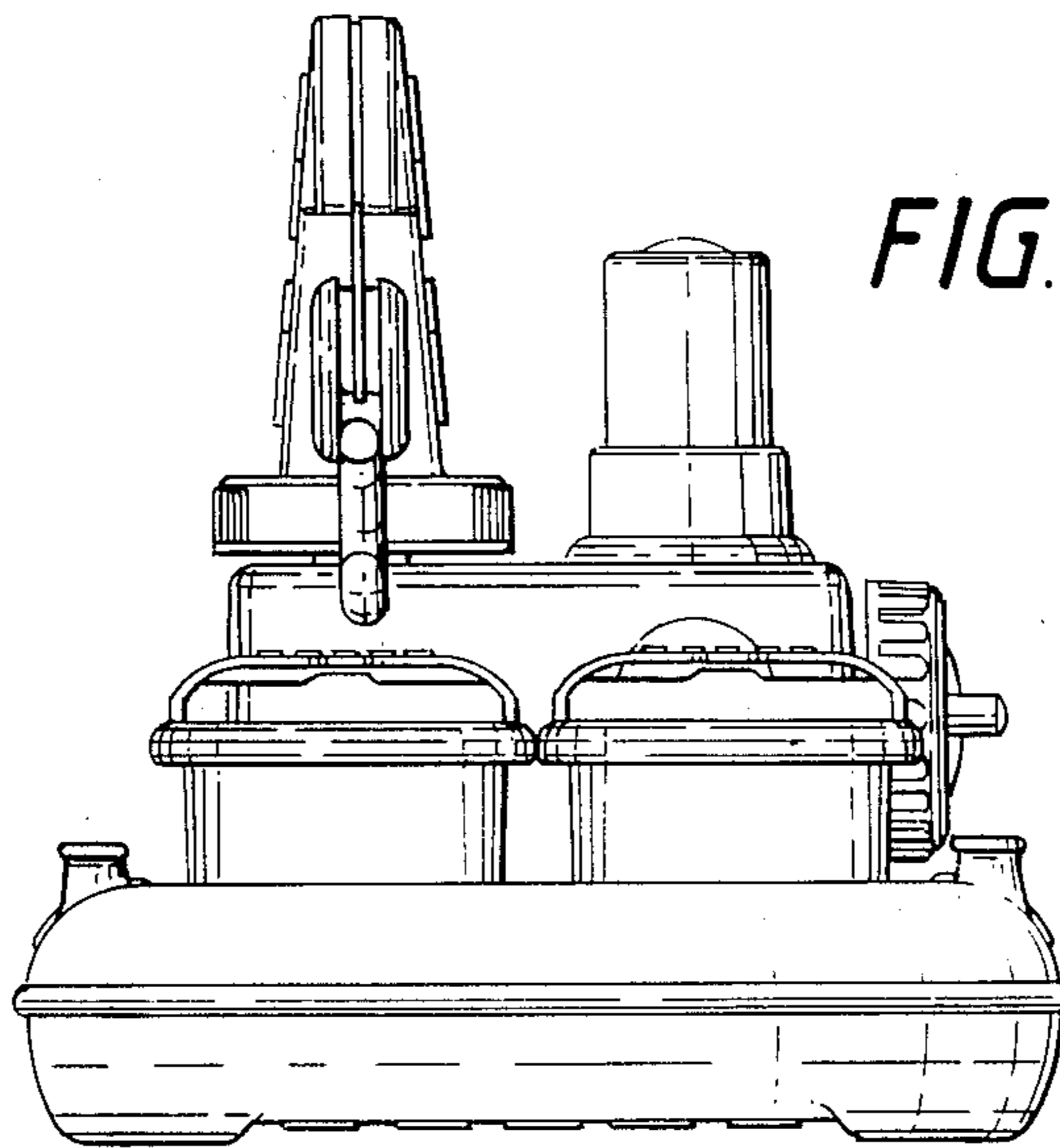
FIG. 6 is a bottom plan view thereof.



*FIG. 1*



*FIG. 2*



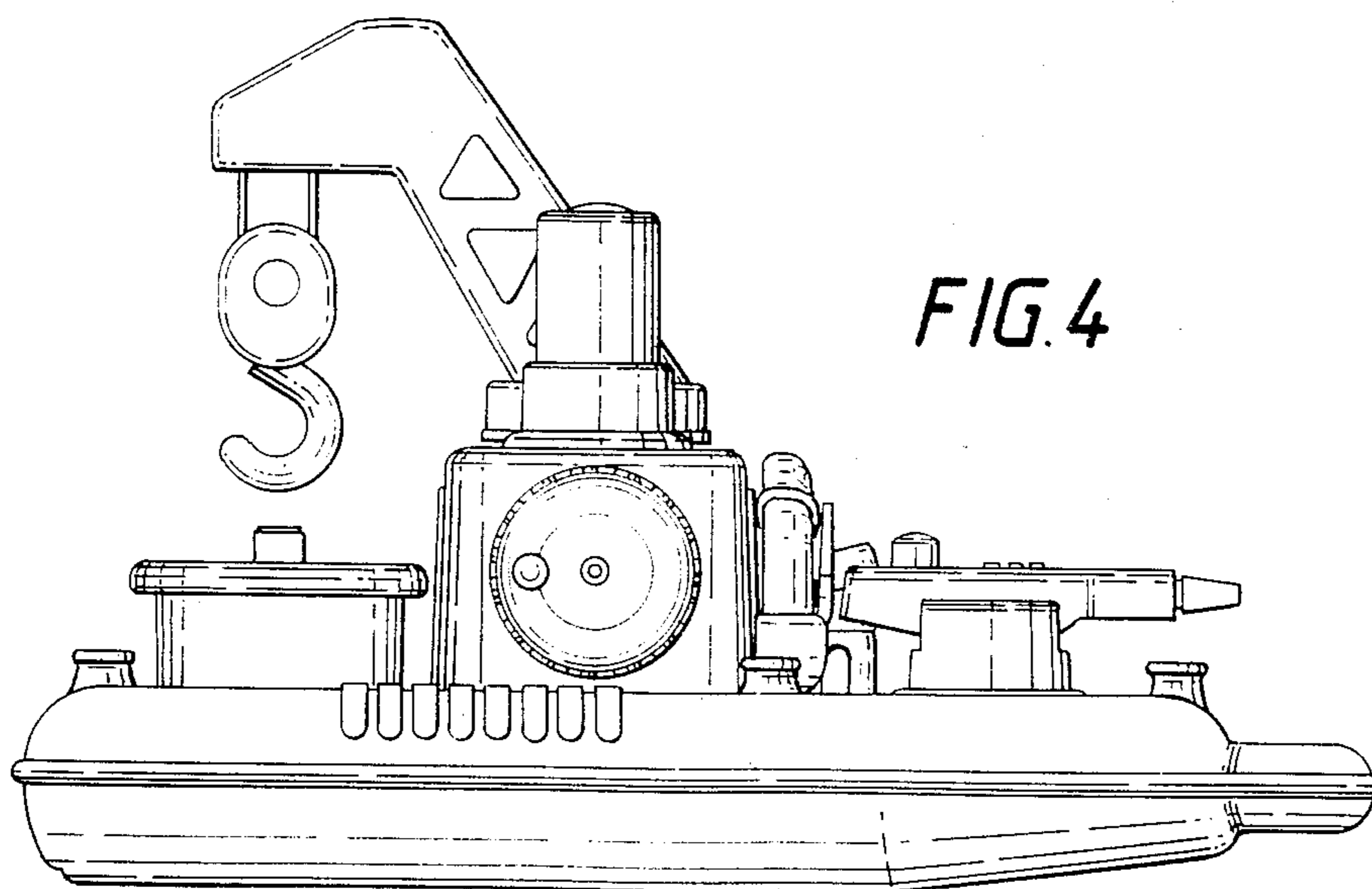
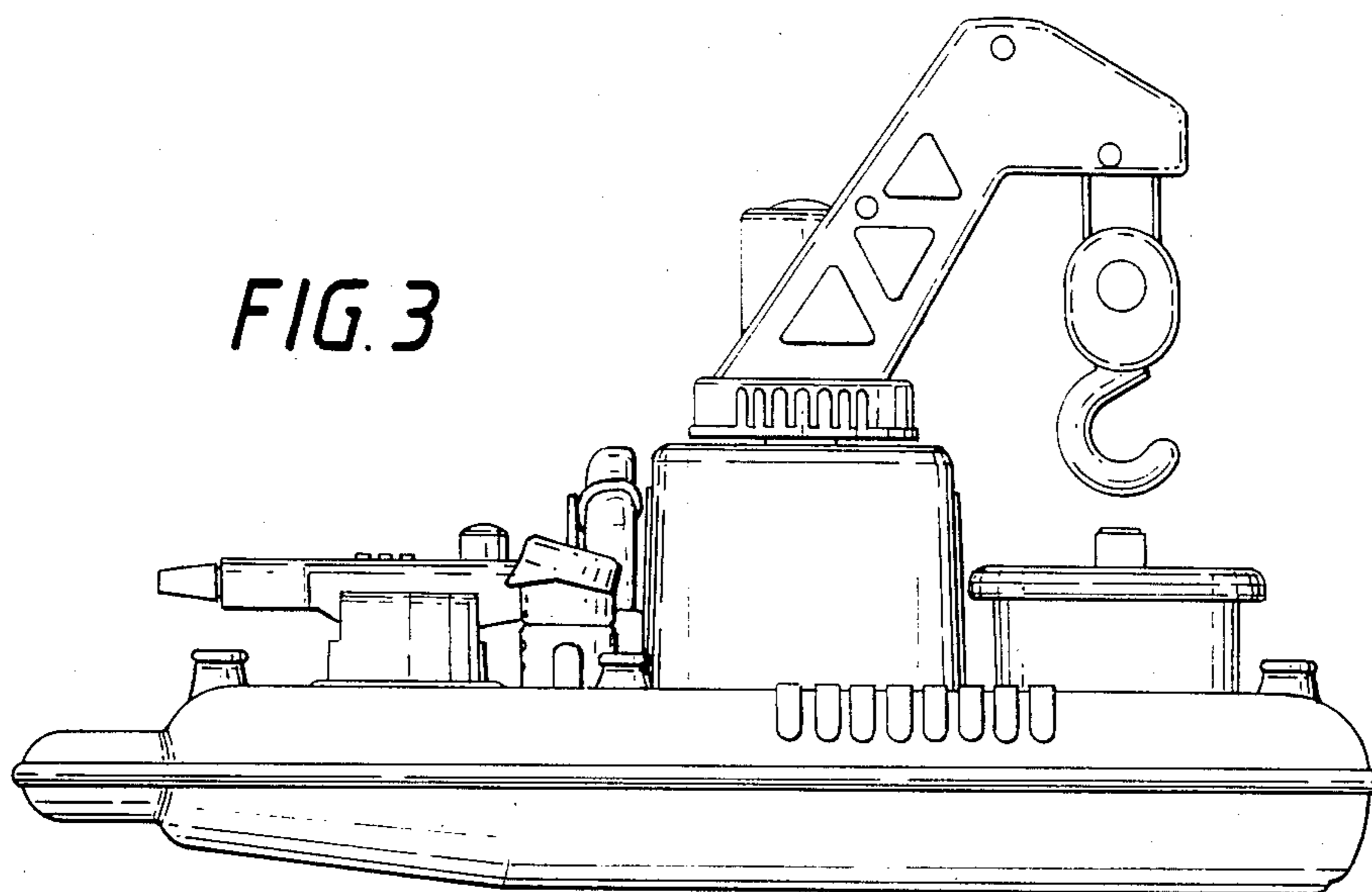


FIG. 5

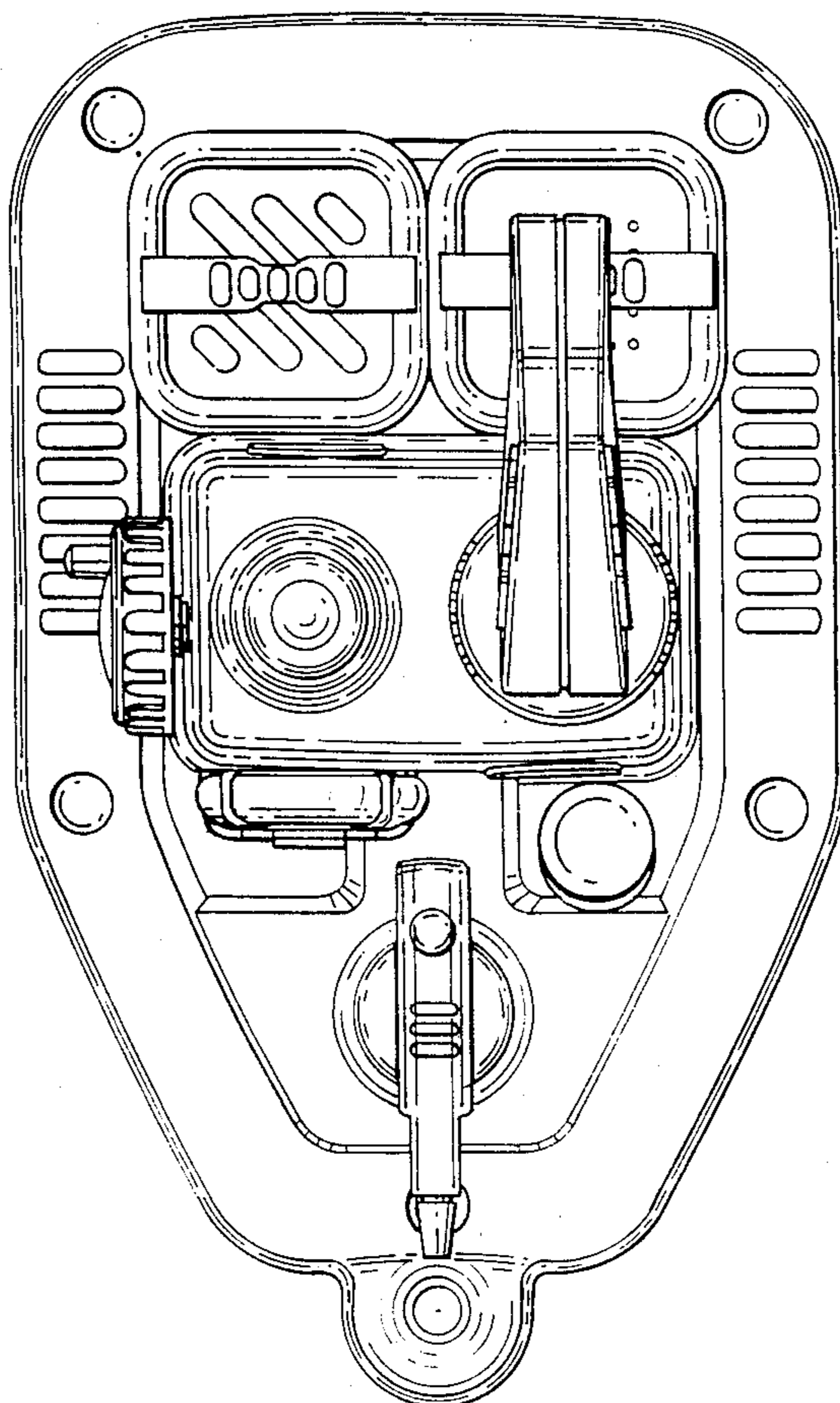


FIG. 6

