

[54] SPINNING TOY

3,531,892 10/1970 Pearce D21/98
3,774,865 11/1973 Pinto D21/86
3,802,117 4/1974 Engelhardt 446/46

[75] Inventor: Willis M. Lakin, Glendale, Ariz.

[73] Assignee: Tedco, Inc., Indianapolis, Ind.

[**] Term: 14 Years

Primary Examiner—Charles A. Rademaker
Attorney, Agent, or Firm—Woodard, Emhardt,
Naughton, Moriarity & McNett

[21] Appl. No.: 37,573

[57] CLAIM

[22] Filed: Apr. 13, 1987

The ornamental design for a spinning toy, as shown and described.

[52] U.S. Cl. D21/96; D21/82;
D21/86

DESCRIPTION

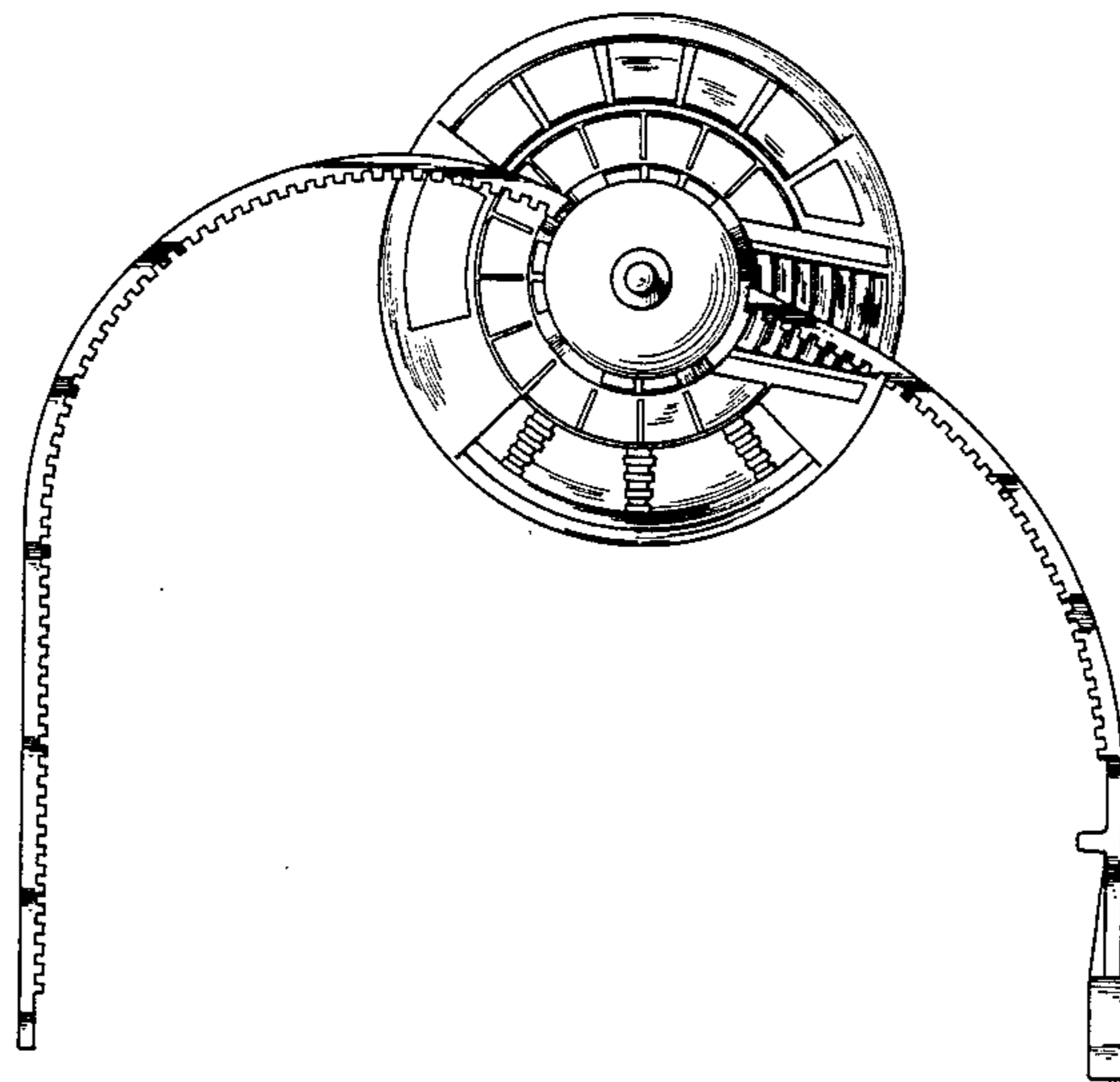
[58] Field of Search D21/82-98;
446/34, 36, 40, 41, 44, 46, 47, 236, 255, 256,
258, 259, 261, 263, 265, 266

FIG. 1 is a top plan view of a spinning toy showing my new design;
FIG. 2 is a front elevational view thereof;
FIG. 3 is a rear elevational view thereof in an inverted position;
FIG. 4 is a bottom plan view thereof;
FIG. 5 is a elevational view thereof taken at 90° with respect to FIG. 2; and
FIG. 6 is an elevational view of the side opposite that shown in FIG. 5 in an inverted position.

[56] References Cited

U.S. PATENT DOCUMENTS

D. 117,797 11/1939 Niedzinski D21/95
D. 194,216 12/1962 Campbell D21/86
D. 253,525 11/1979 Wilson D21/86
3,000,138 9/1961 Tagliaferri D21/86



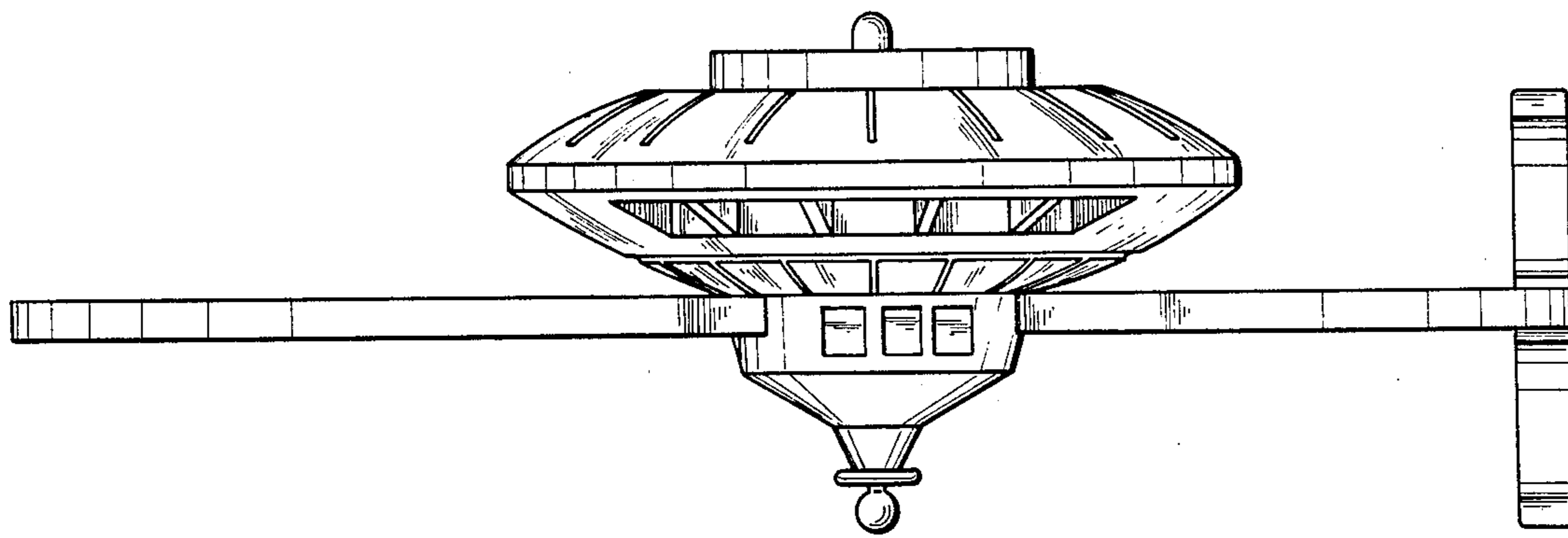


Fig. 2

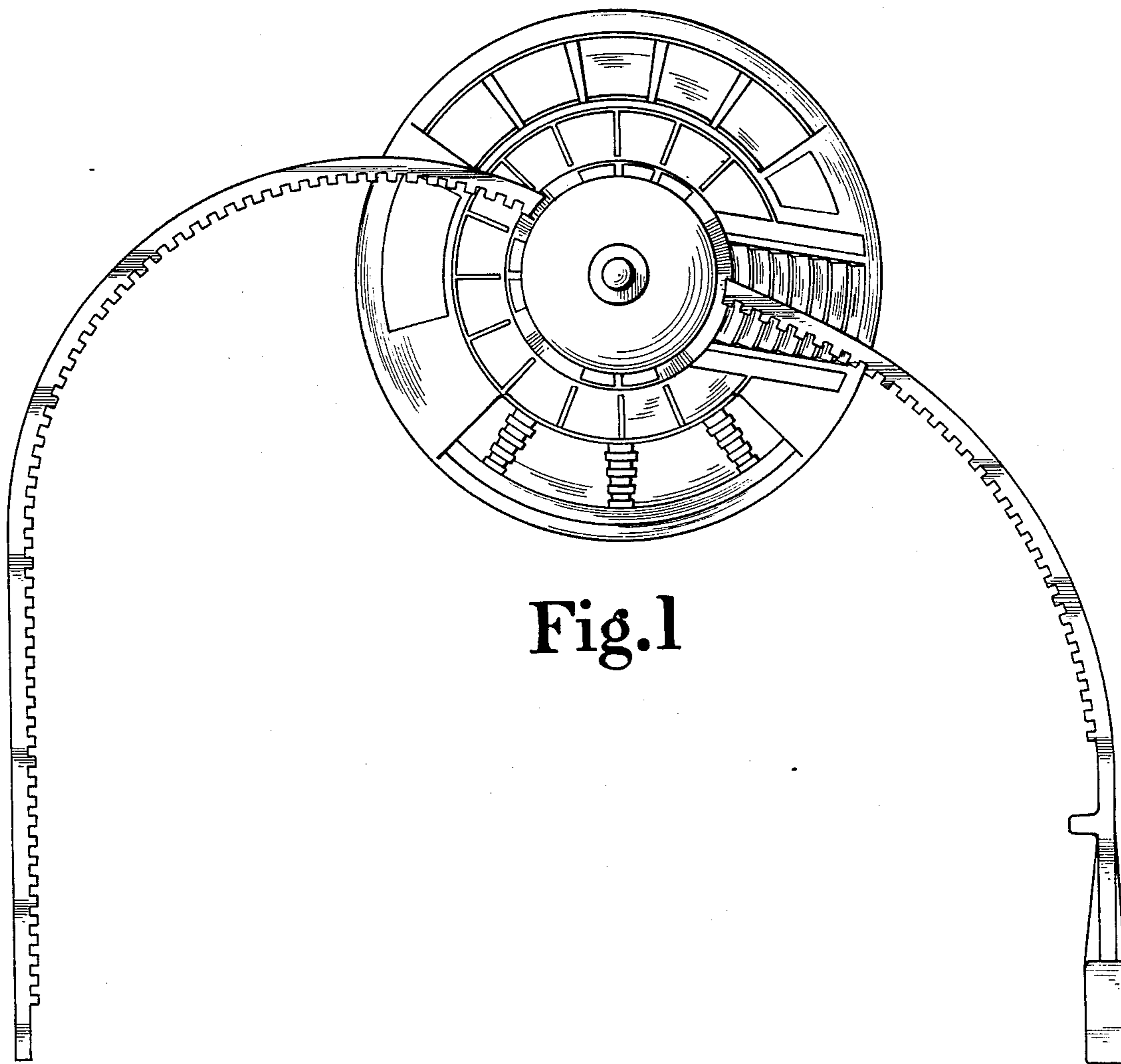


Fig. 1

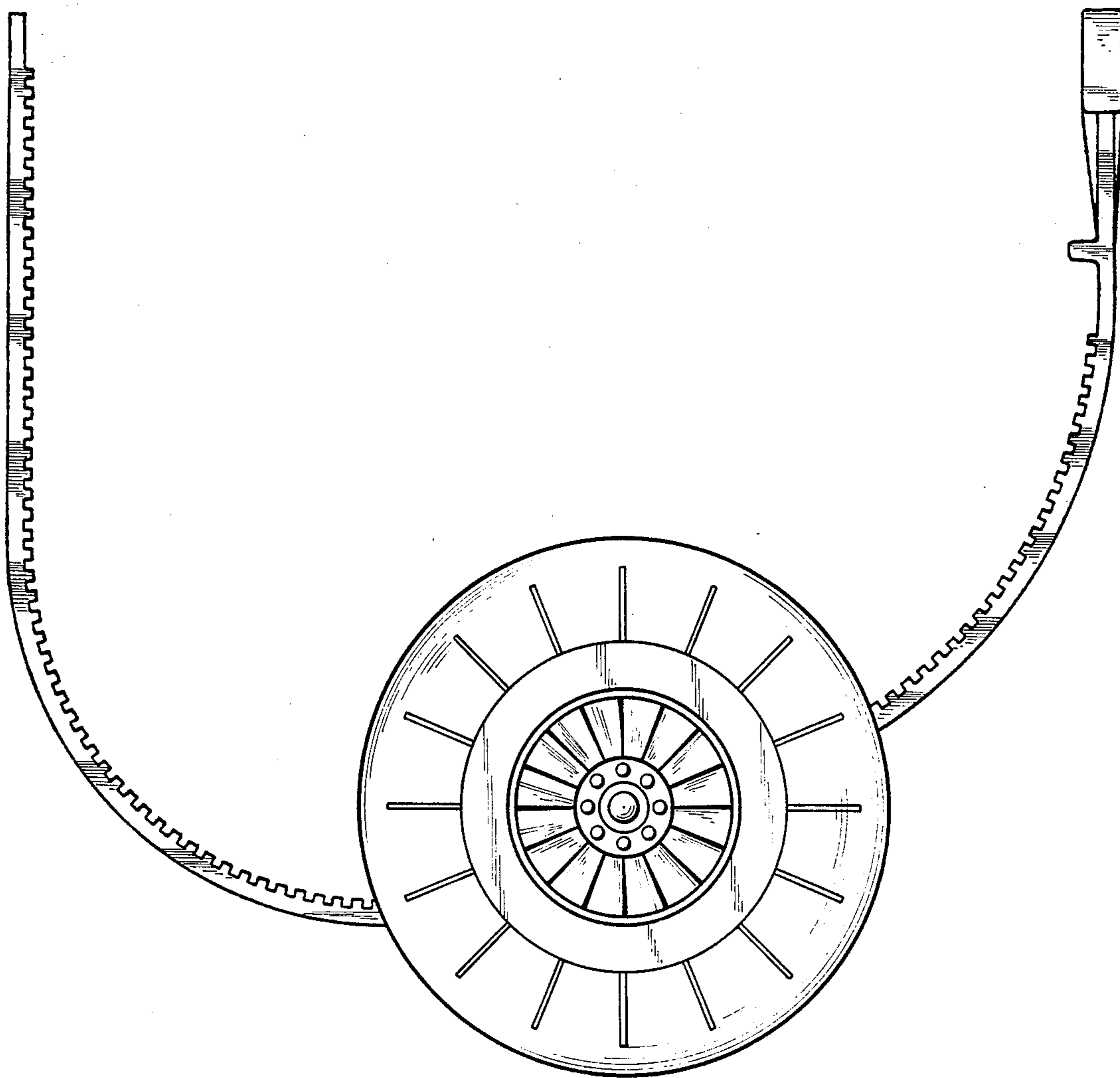


Fig. 4

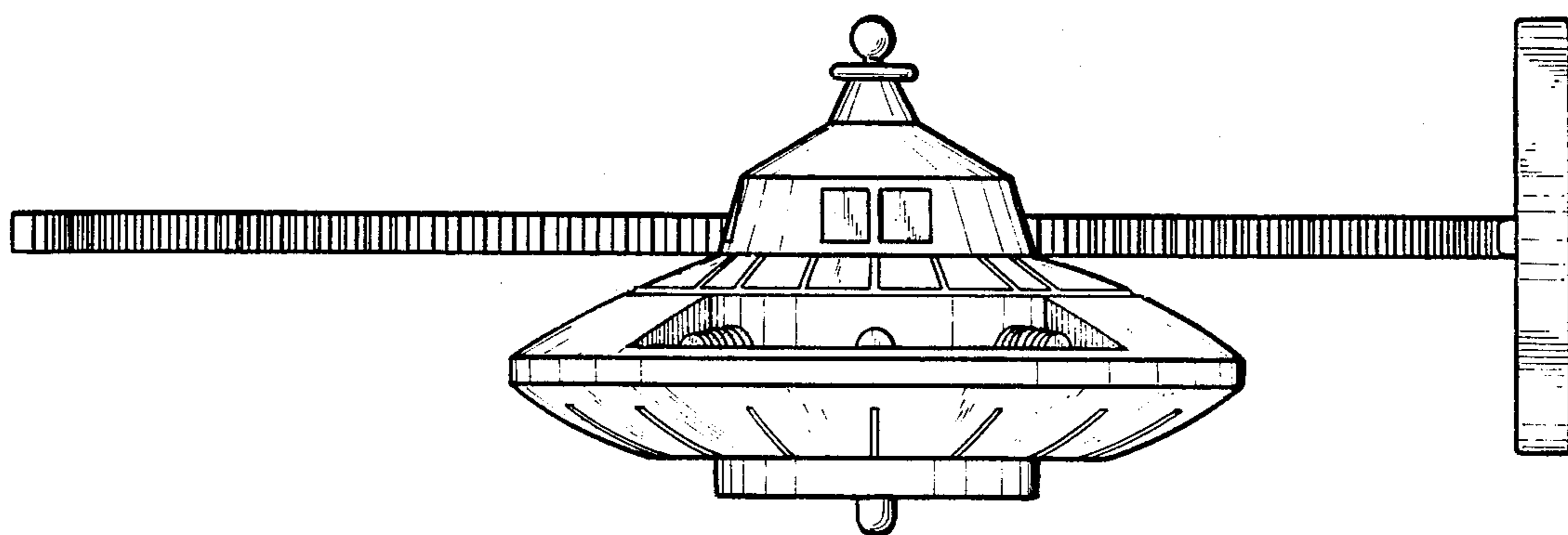


Fig. 3

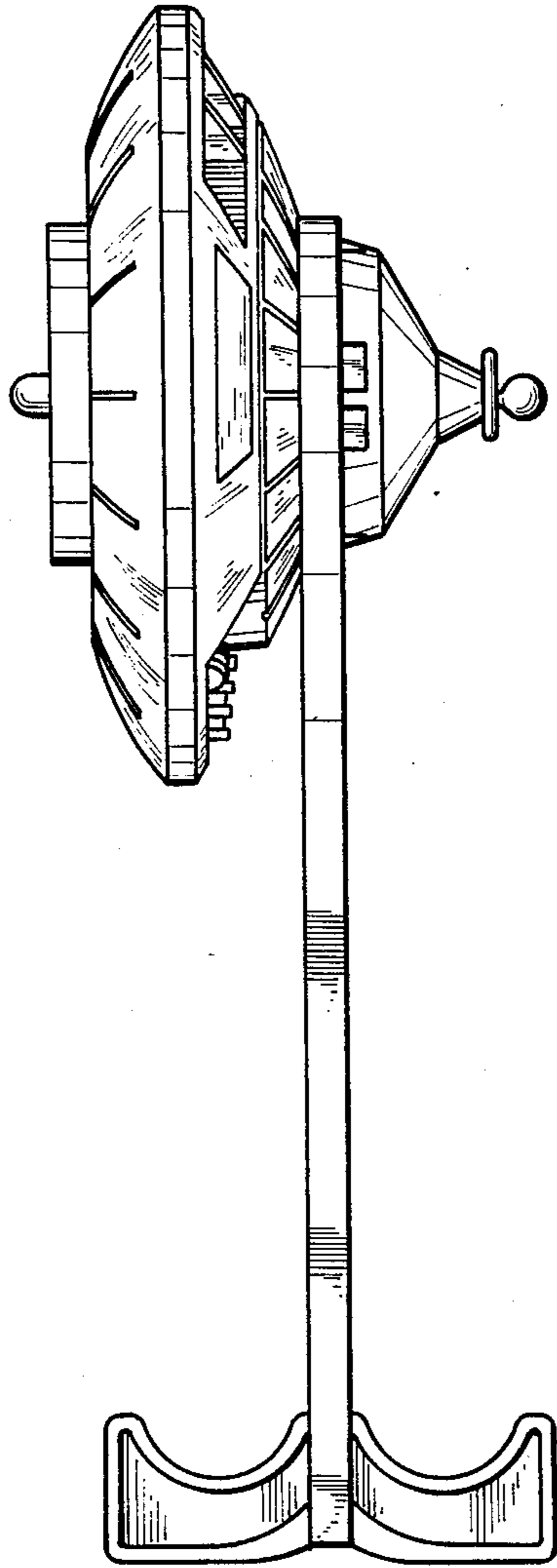


Fig. 5

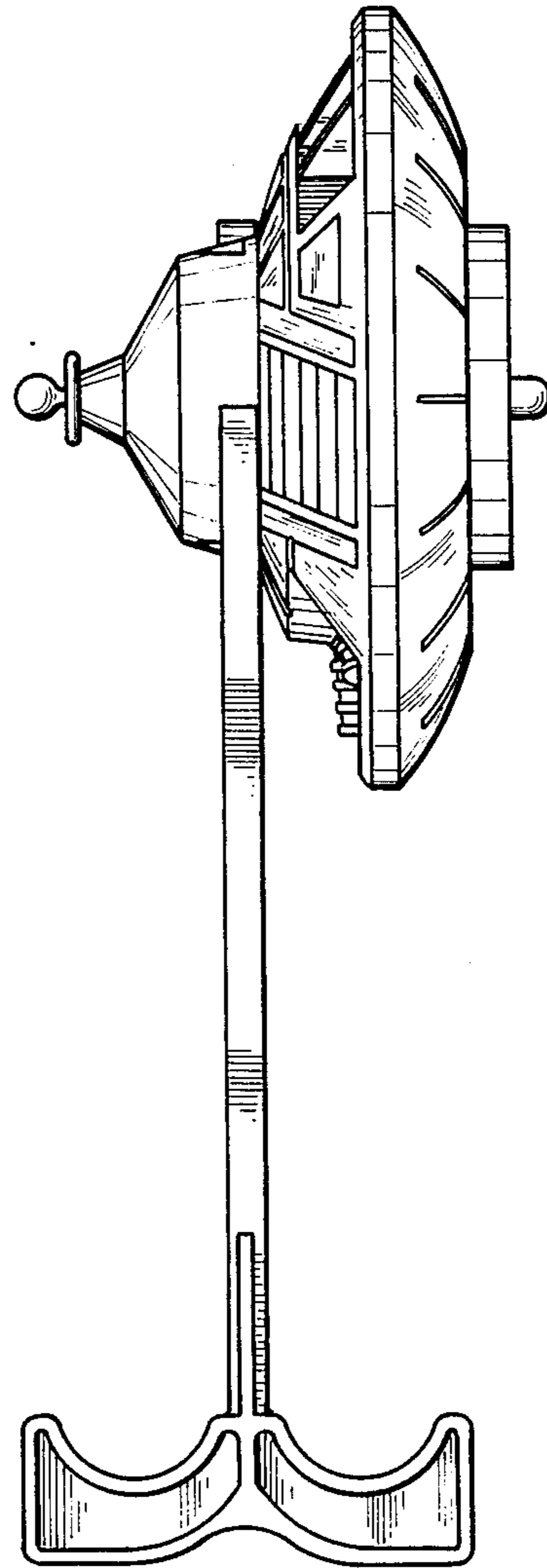


Fig. 6