

[54] **TOY HORSE**
[75] **Inventor: Pietro Catelli, Como, Italy**
[73] **Assignee: Artsana, S.p.A., Italy**
[**] **Term: 14 Years**
[21] **Appl. No.: 859,731**
[22] **Filed: May 5, 1986**

[30] **Foreign Application Priority Data**
Jan. 16, 1986 [IT] Italy 20500B/86
[52] **U.S. Cl. D21/75**
[58] **Field of Search D21/75, 80, 81, 69,**
D21/165, 128; 280/87.02 R, 87.04 R, 1.175,
1.182; 272/52, 53.2

[56] **References Cited**
U.S. PATENT DOCUMENTS
D. 144,976 6/1946 Lipton et al. D21/165
D. 197,978 4/1964 Goldfarb D21/70
D. 239,554 4/1976 Schoenfield et al. D21/165
D. 295,427 4/1988 Vullierme D21/165

Primary Examiner—Charles A. Rademaker
Attorney, Agent, or Firm—Steinberg & Raskin

[57] **CLAIM**
The ornamental design for a toy horse, as shown.

DESCRIPTION
FIG. 1 is a top, front and right side perspective view of a toy horse showing my new design;
FIG. 2 is a top plan view thereof;
FIG. 3 is a left side elevational view thereof;
FIG. 4 is a front elevational view thereof;
FIG. 5 is a rear elevational view thereof; and
FIG. 6 is a bottom plan view thereof.

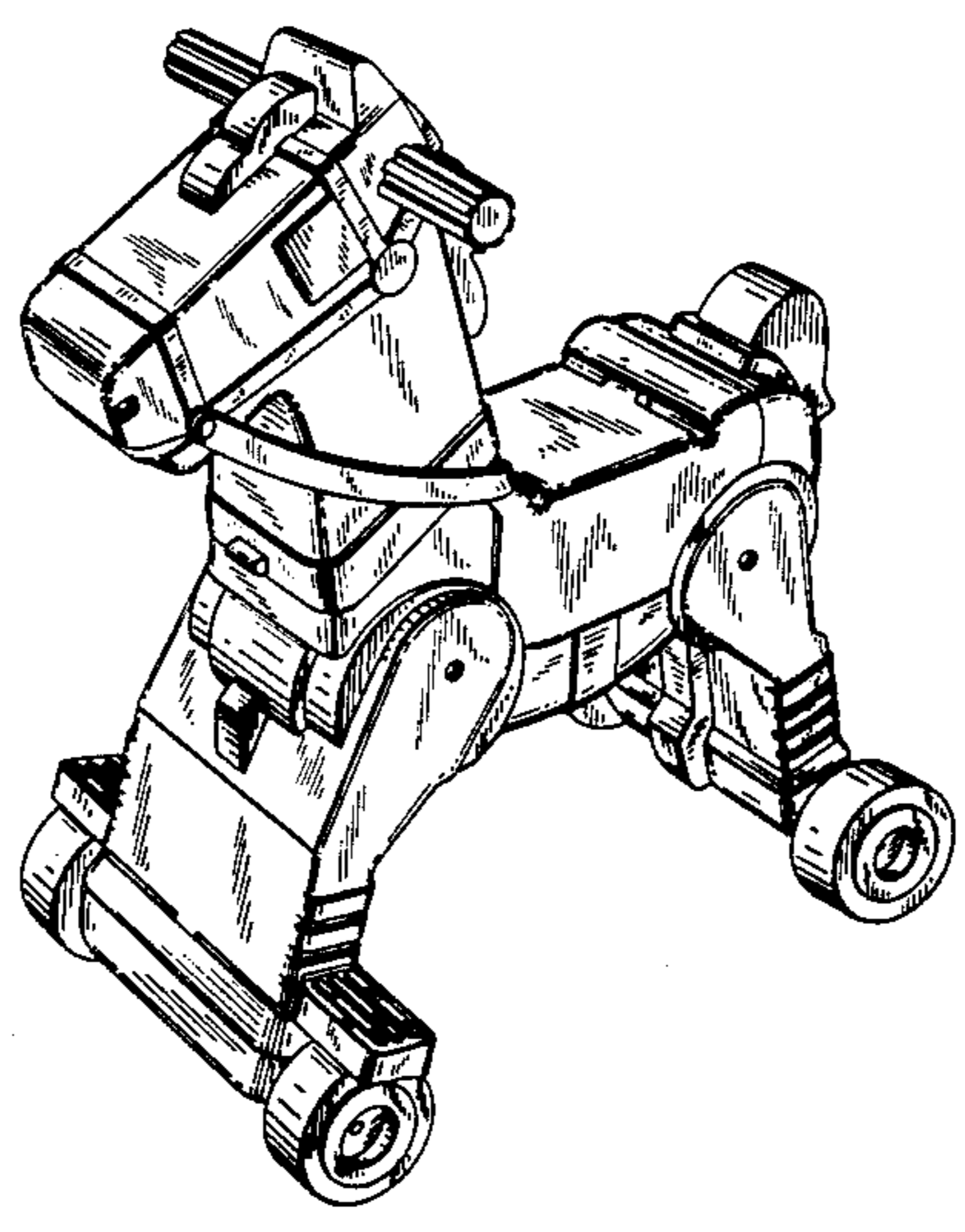


FIG. 1

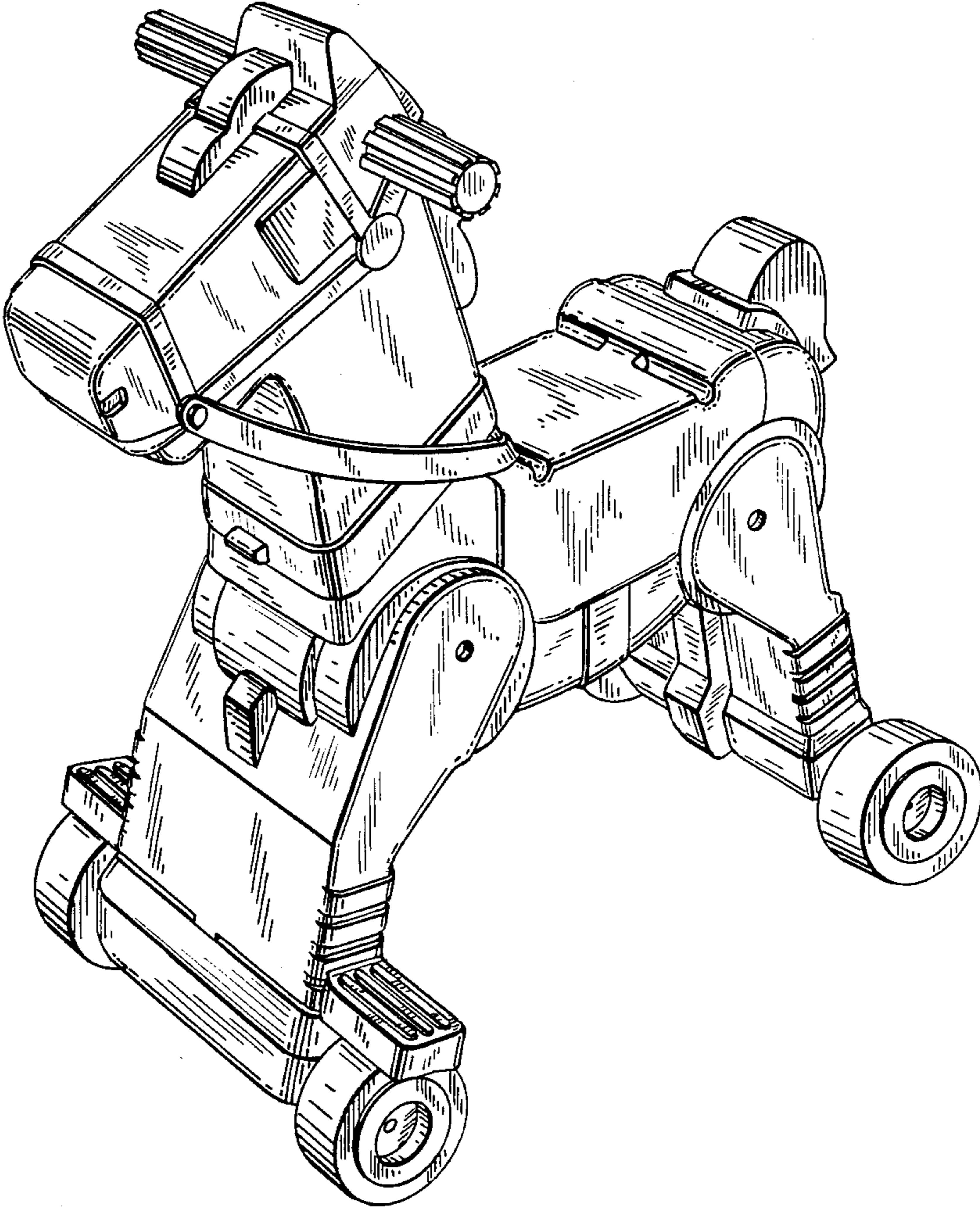


FIG. 2

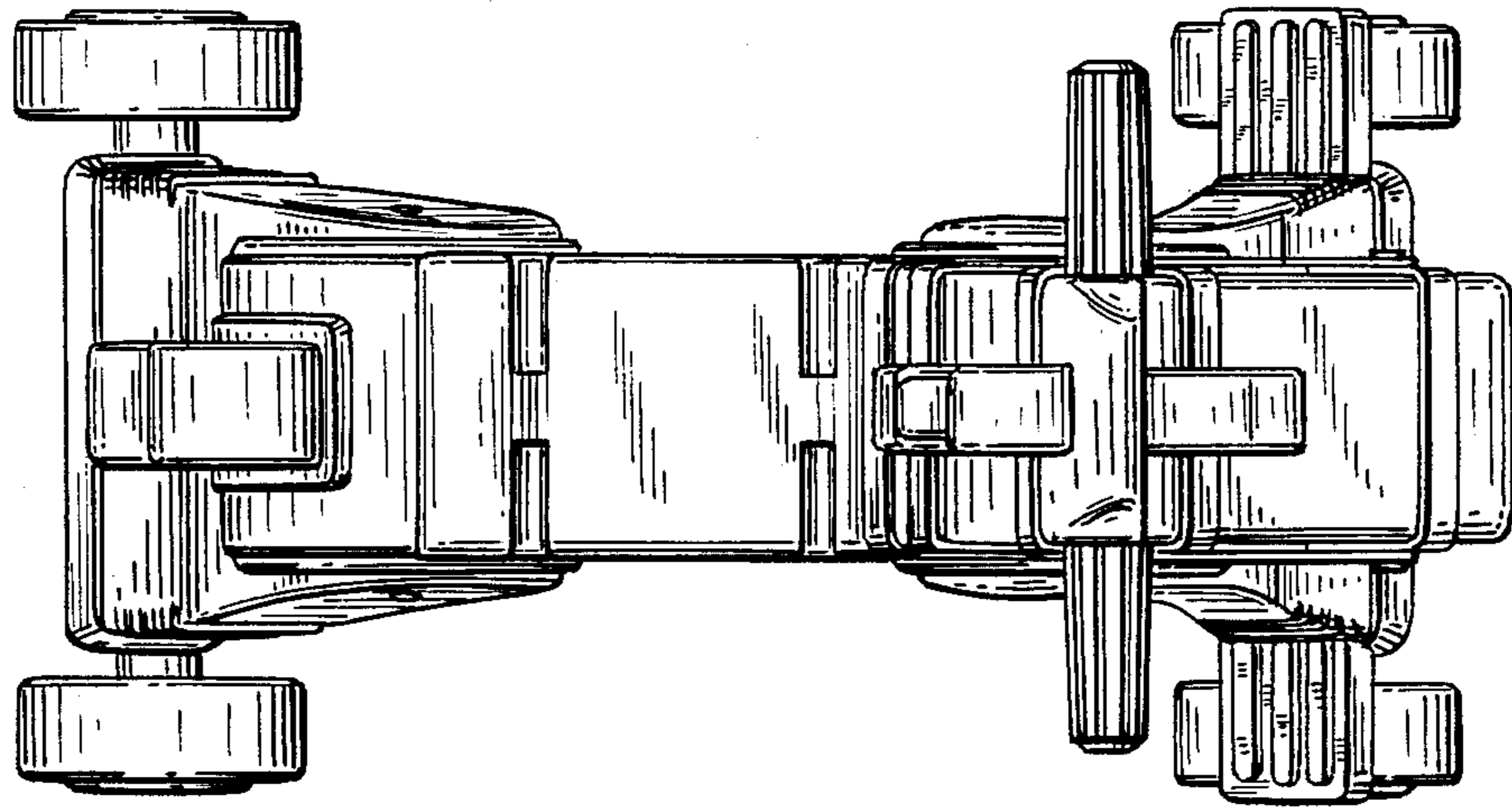


FIG. 3

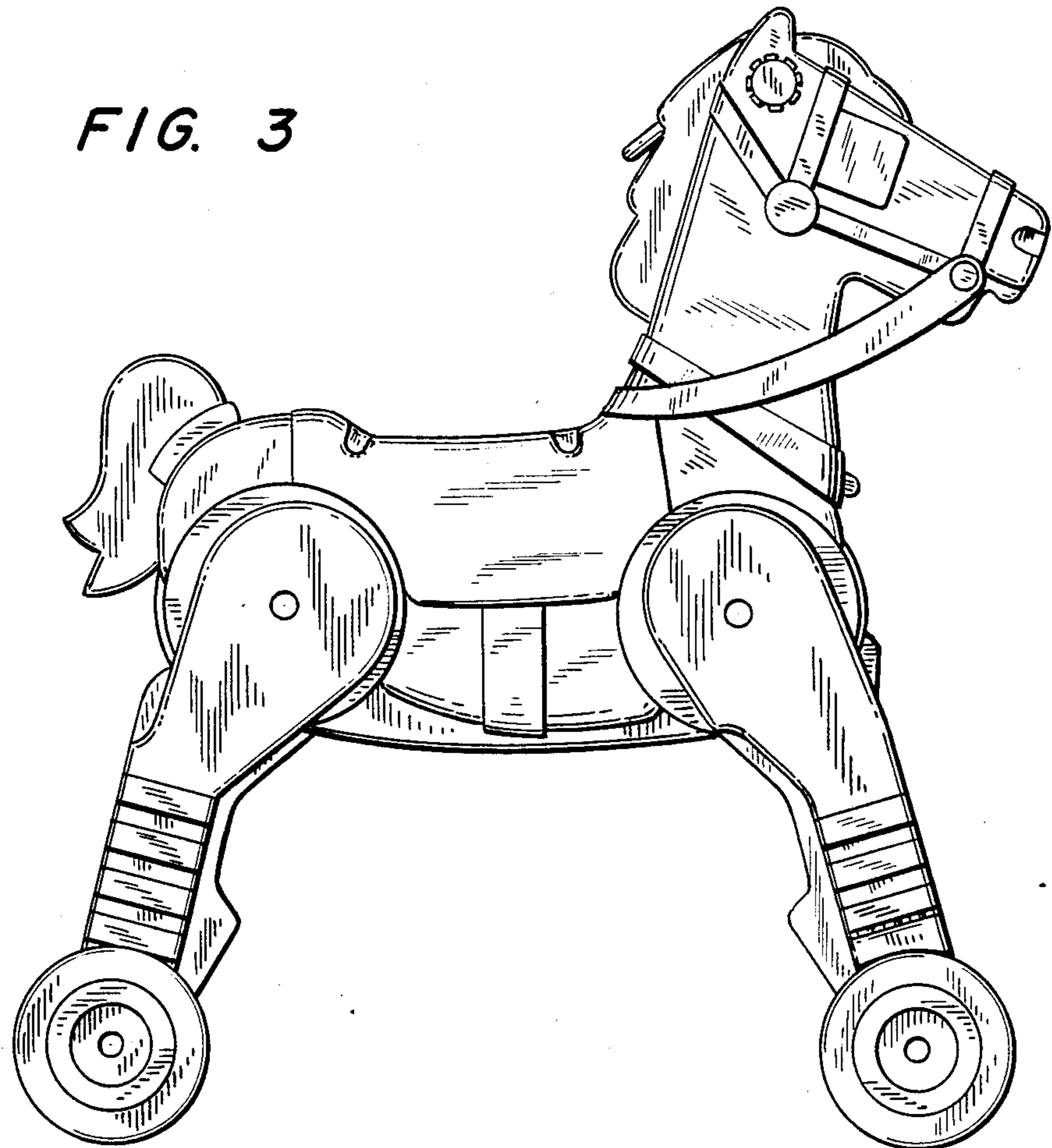


FIG. 4

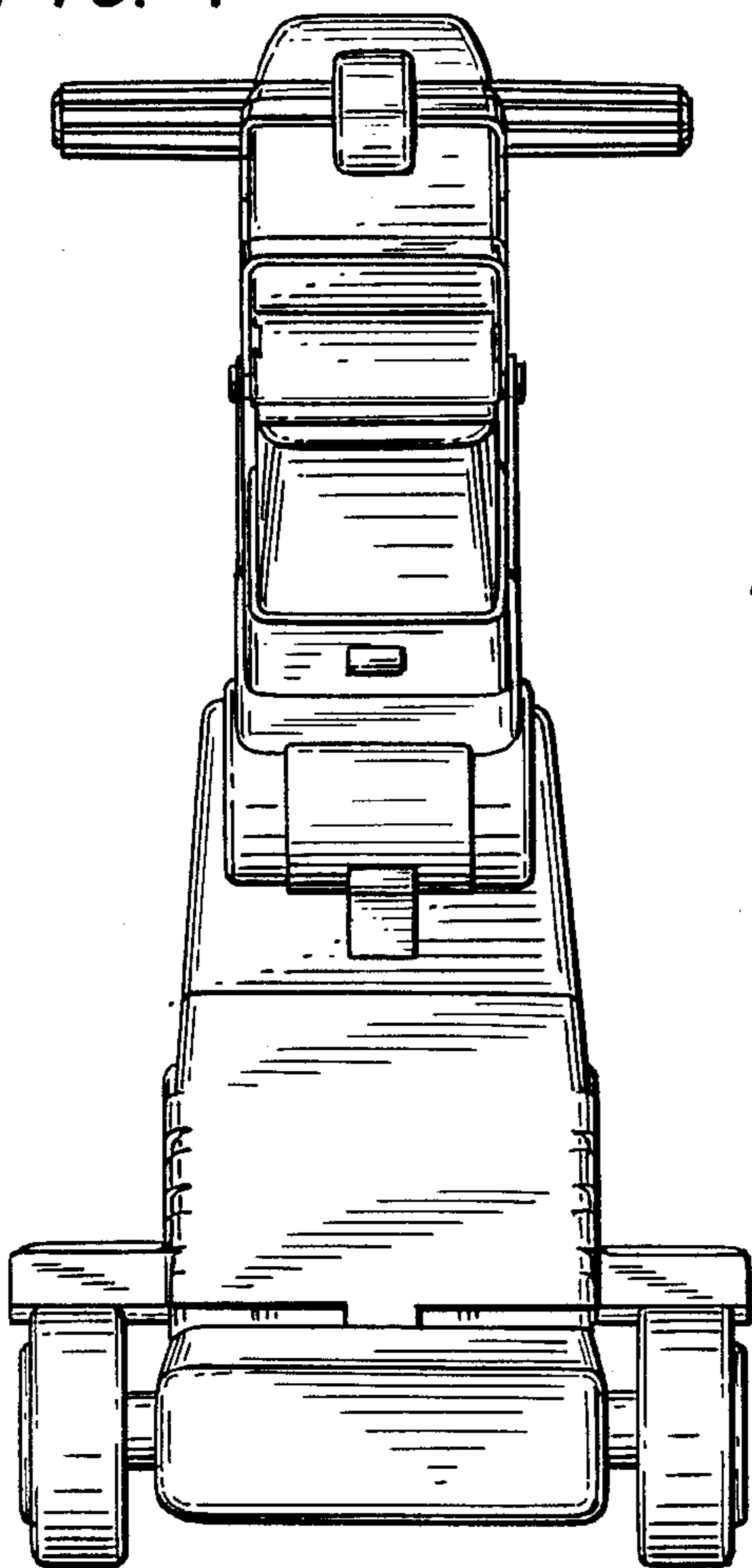


FIG. 5

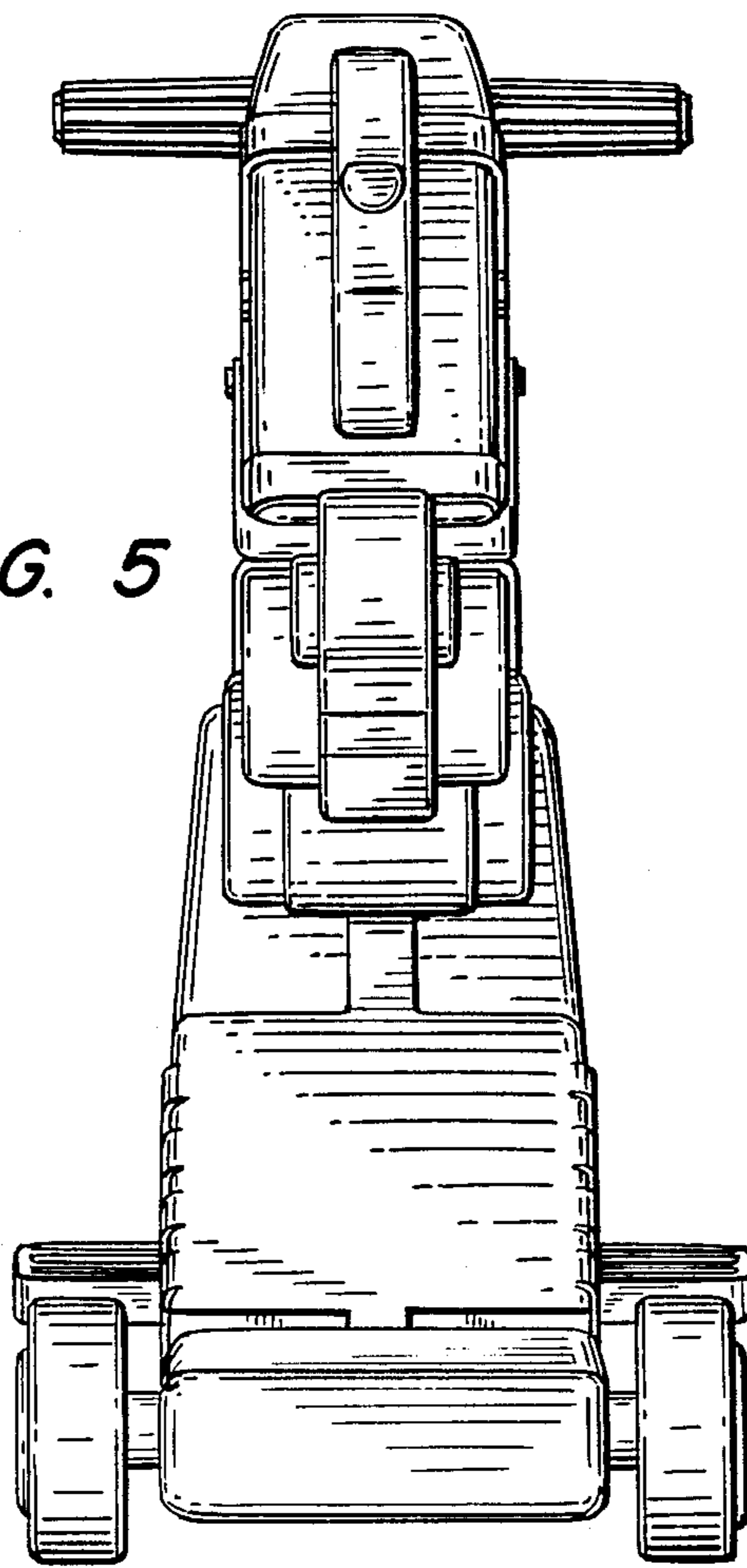


FIG. 6

